



US00D326696S

United States Patent [19]

Bogaczyk et al.

[11] Patent Number: Des. 326,696

[45] Date of Patent: ** Jun. 2, 1992

[54] **PHYSICAL EXERCISER**

[75] Inventors: **Stanley J. Bogaczyk**, Janesville, Wis.;
H. Dean Forden, Decatur, Ill.; **Scott B. Lysne**, Janesville, Wis.

[73] Assignee: **Macon Products Company**,
Janesville, Wis.

[**] Term: **14 Years**

[21] Appl. No.: **745,379**

[22] Filed: **Aug. 15, 1991**

Related U.S. Application Data

[63] Continuation-in-part of Ser. No. 355,905, May 12, 1989, abandoned.

[52] U.S. Cl. **D21/195**

[58] Field of Search **D21/191-199;**
273/93, 96, 99, 125, 130, 134, 142, 143, 144

[56] **References Cited**

U.S. PATENT DOCUMENTS

D. 262,810	1/1982	Lynn	D21/191
D. 300,337	3/1989	Brentham	D21/195
4,247,098	1/1981	Brentham	272/143
4,582,320	4/1986	Shaw	272/142
4,911,436	3/1990	Lighter	272/134
4,949,958	8/1990	Richey	272/134

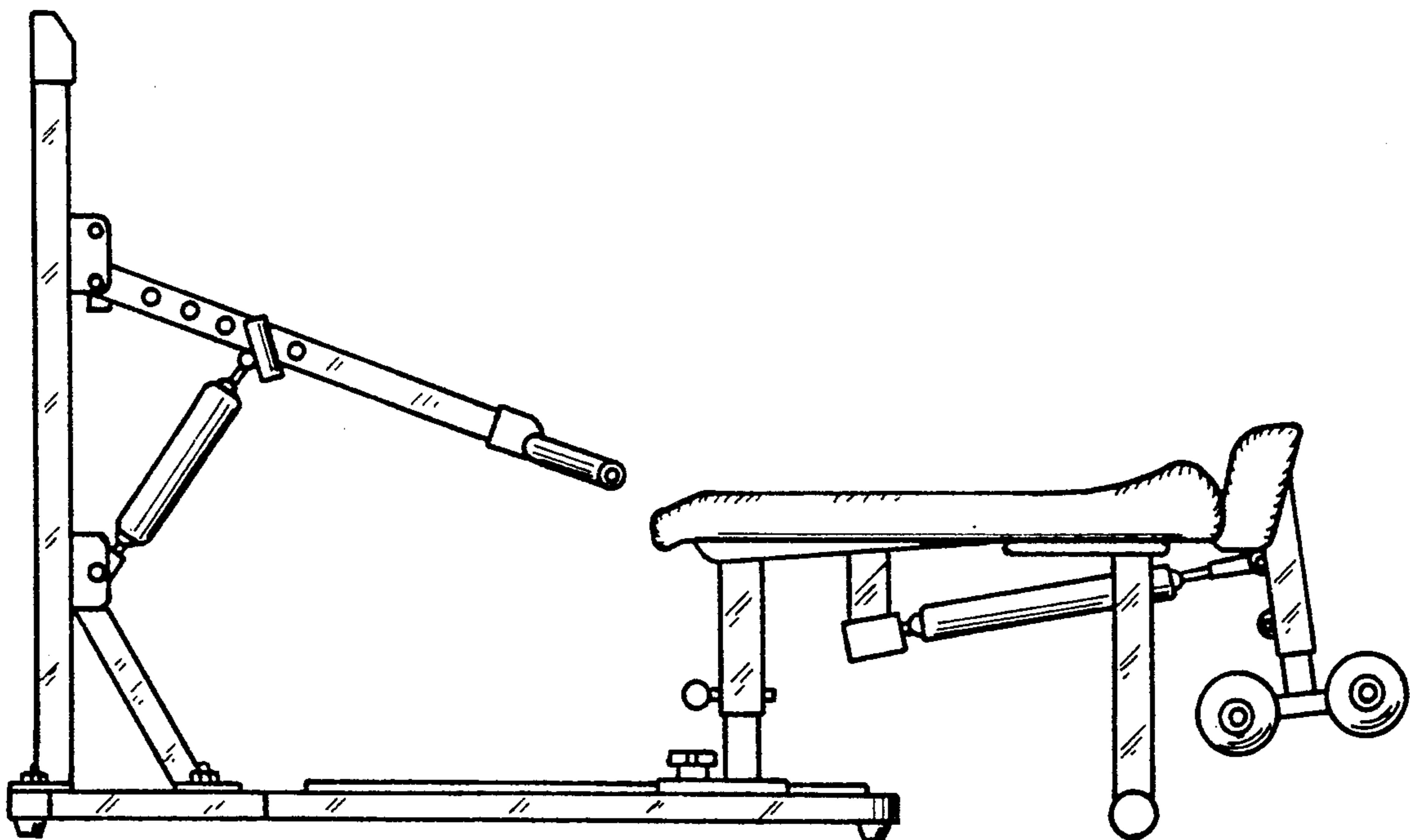
Primary Examiner—Charles A. Rademaker
Attorney, Agent, or Firm—Howard M. Herriot

[57] **CLAIM**

The ornamental design for a physical exerciser, as shown and described.

DESCRIPTION

FIG. 1 is a top plan view of a physical exerciser showing our new design;
FIG. 2 is a left side elevational view, the side opposite being substantially a mirror image;
FIG. 3 is a front elevational view; and,
FIG. 4 is a rear elevational view.



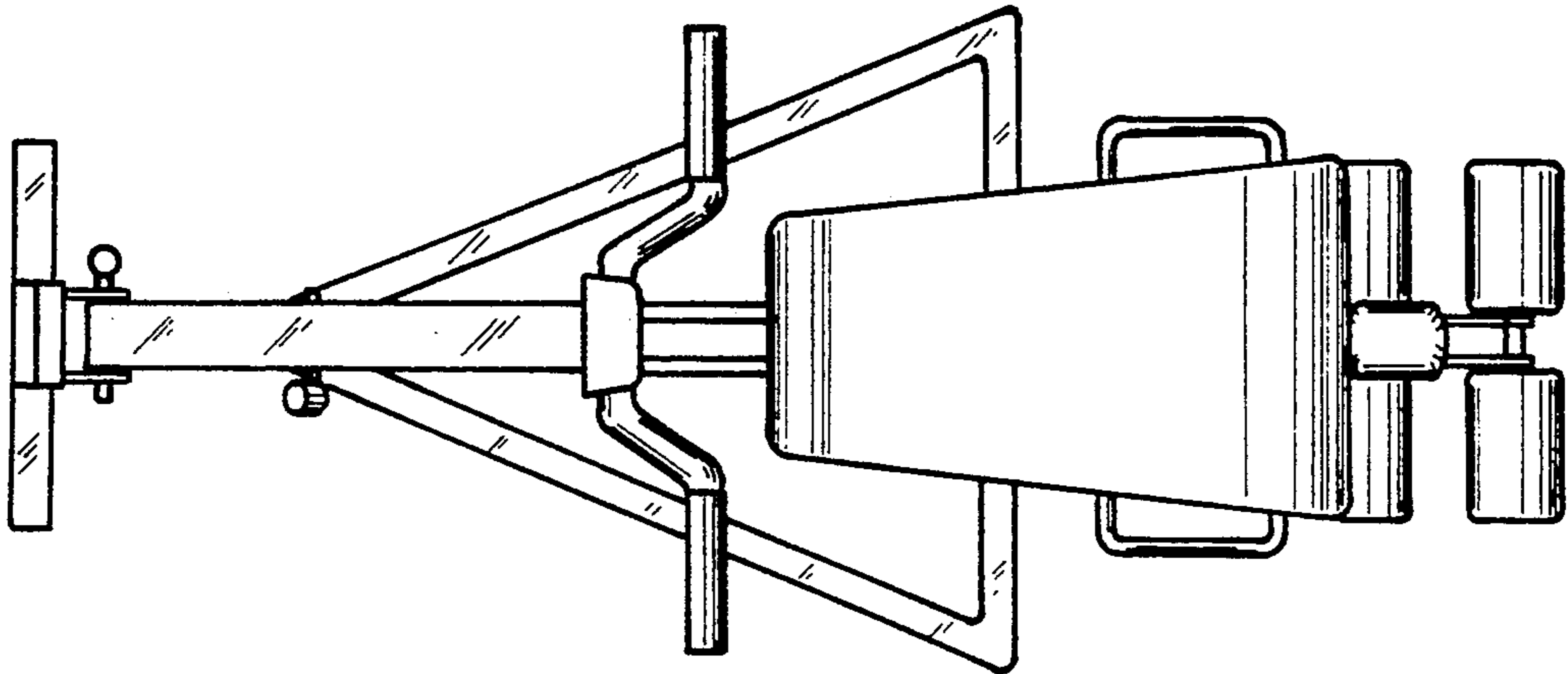


Fig. 1

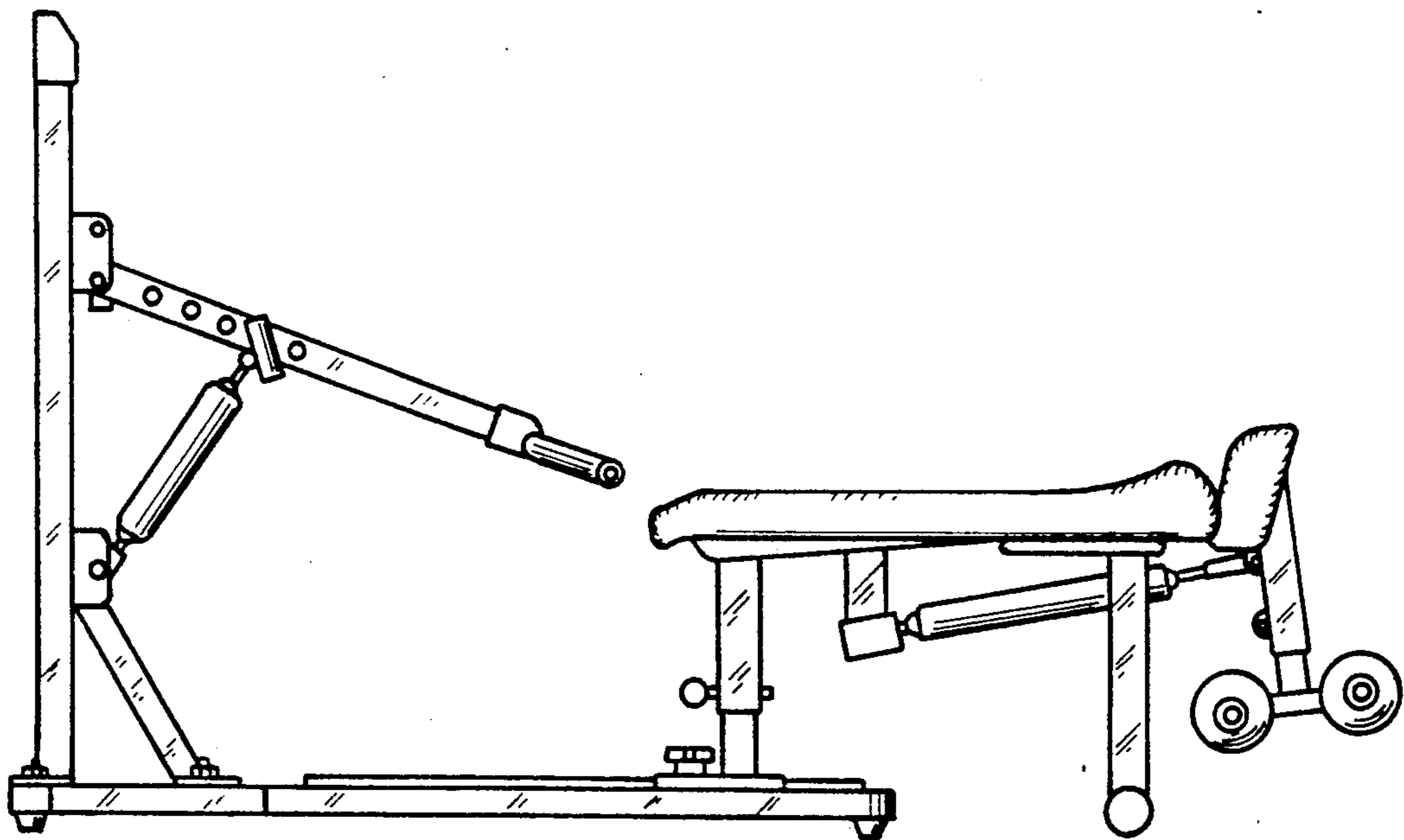


Fig. 2

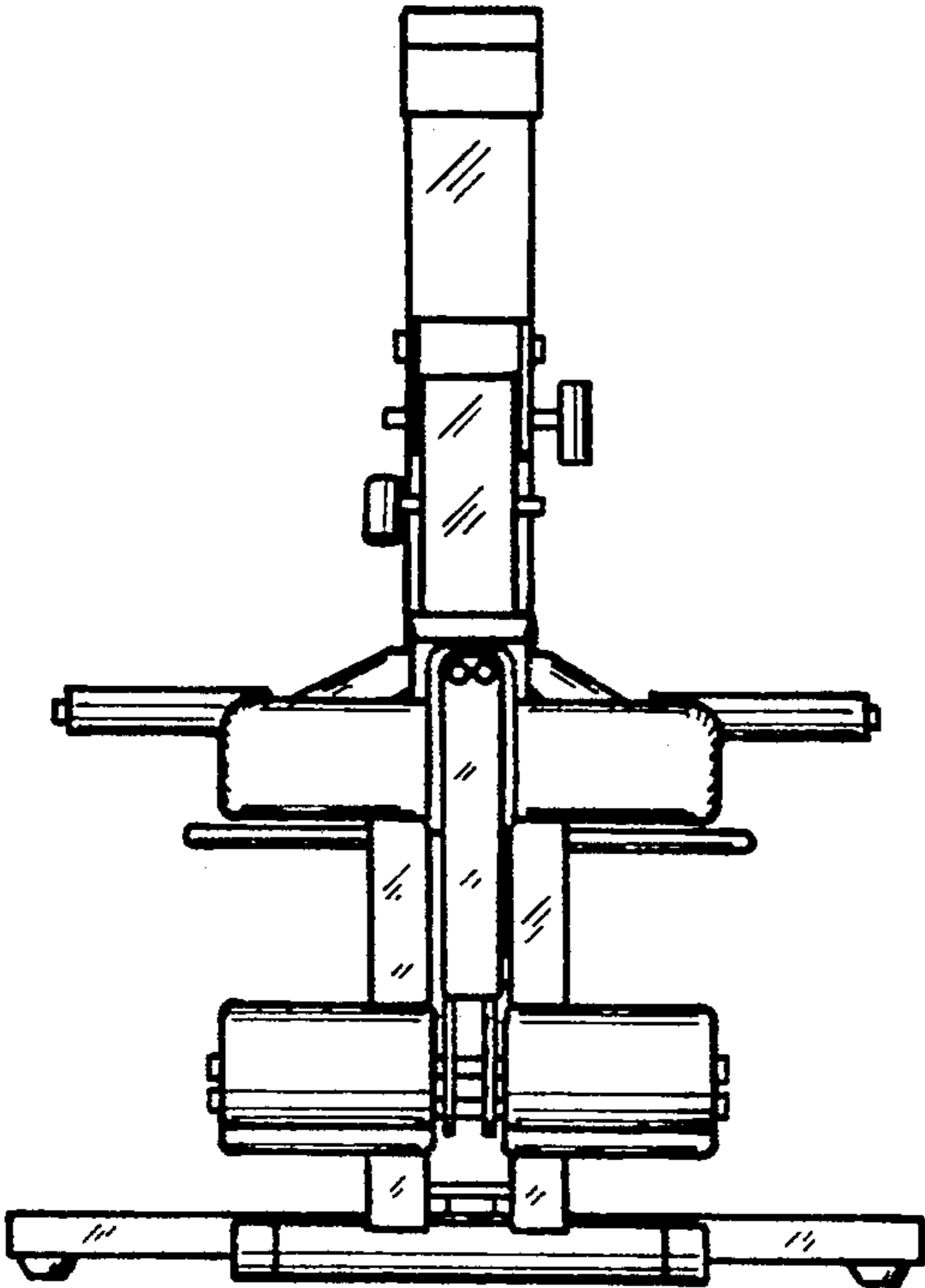


Fig. 3

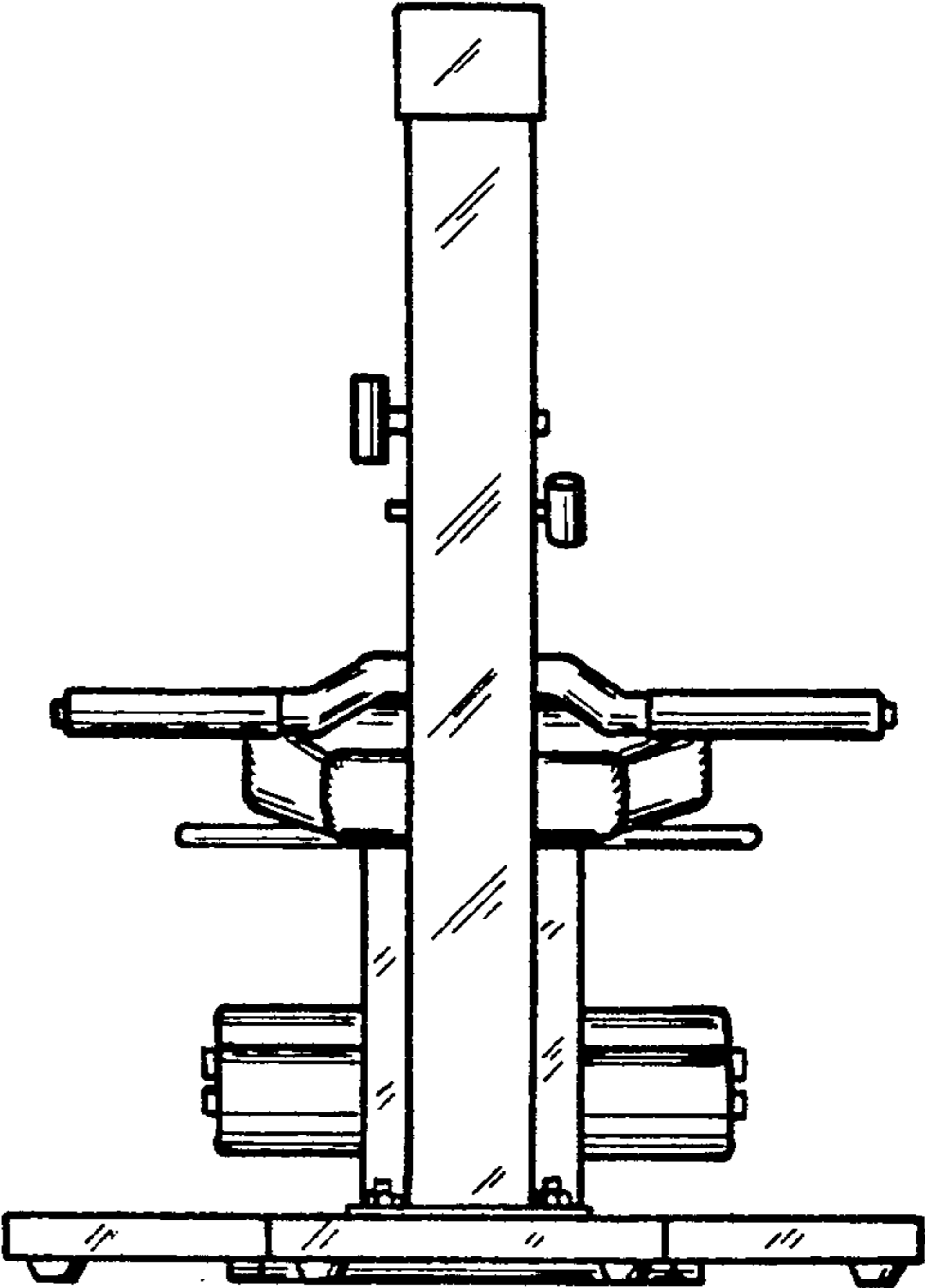


Fig. 4