



US00D326695S

United States Patent [19]

Evans

[11] Patent Number: **Des. 326,695**

[45] Date of Patent: **** Jun. 2, 1992**

[54] **EXERCISE MACHINE**

[75] Inventor: **Harold R. Evans**, St. Brelade,
Channel Islands

[73] Assignee: **Malibu Sports Limited**, Bradford,
England

[**] Term: **14 Years**

[21] Appl. No.: **465,872**

[22] Filed: **Jan. 16, 1990**

[30] **Foreign Application Priority Data**

Aug. 5, 1989 [GB] United Kingdom 2000146

[52] U.S. Cl. **D21/191**

[58] Field of Search D21/191-199;
272/70, 69, 132, 131, 130, 96

[56] **References Cited**

U.S. PATENT DOCUMENTS

D. 263,490 3/1982 Hickman D21/192

D. 274,538	7/1984	Grosser	D21/195
D. 302,194	7/1989	Charnitski	D21/191
D. 315,937	4/1991	Huggins et al.	D21/194
4,720,093	1/1988	Del Mar	272/70
4,733,858	3/1988	Lan	272/70
4,900,012	2/1990	Fu	272/70

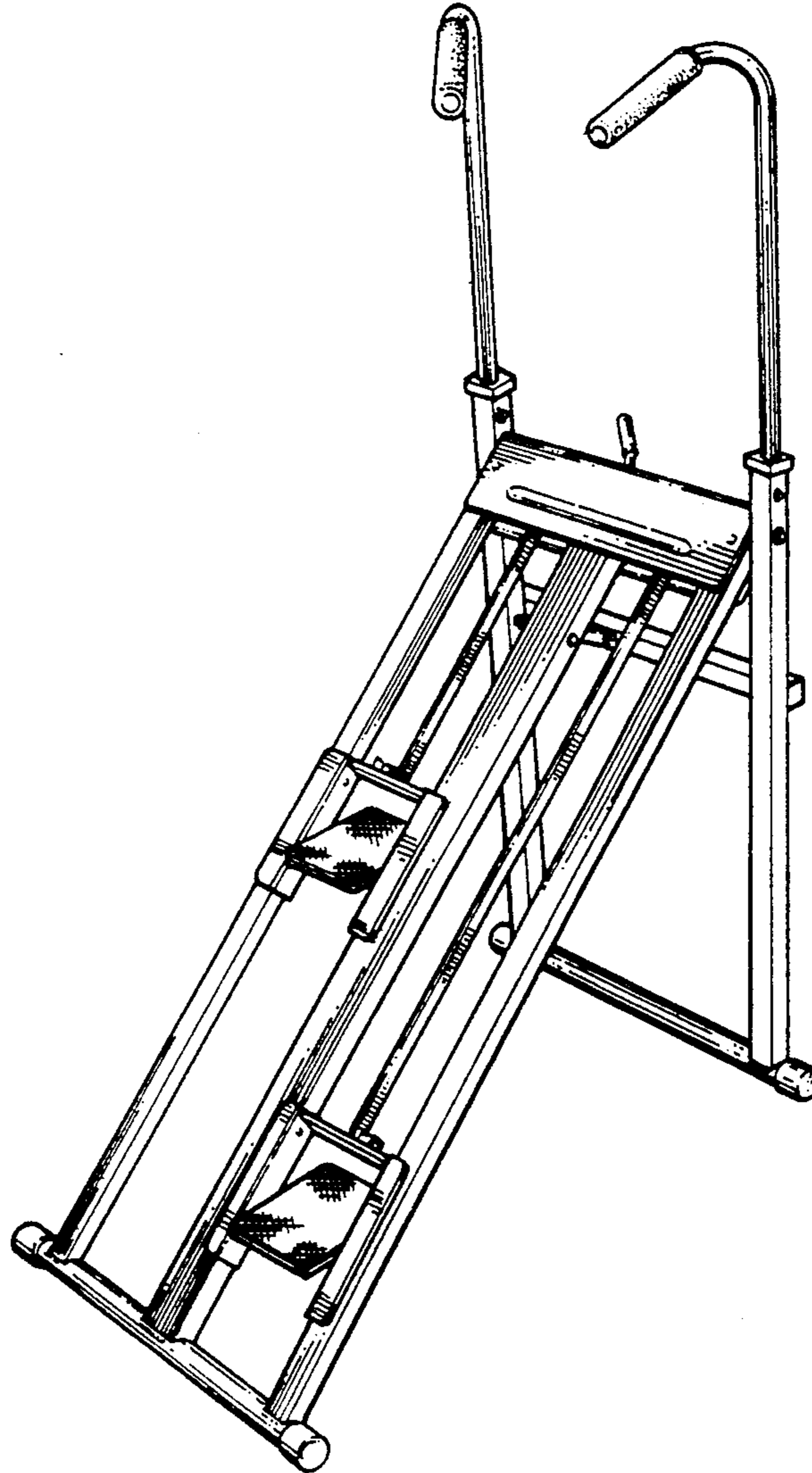
Primary Examiner—Charles A. Rademaker
Attorney, Agent, or Firm—Klauber & Jackson

[57] **CLAIM**

The ornamental design for a exercise machine, as shown and described.

DESCRIPTION

FIG. 1 is a perspective view of an exercise machine showing my new design;
FIG. 2 is a front elevational view thereof;
FIG. 3 is a left side elevational view thereof;
FIG. 4 is a top plan view thereof; and,
FIG. 5 is a and left side elevational view thereof with the design in a folded position.



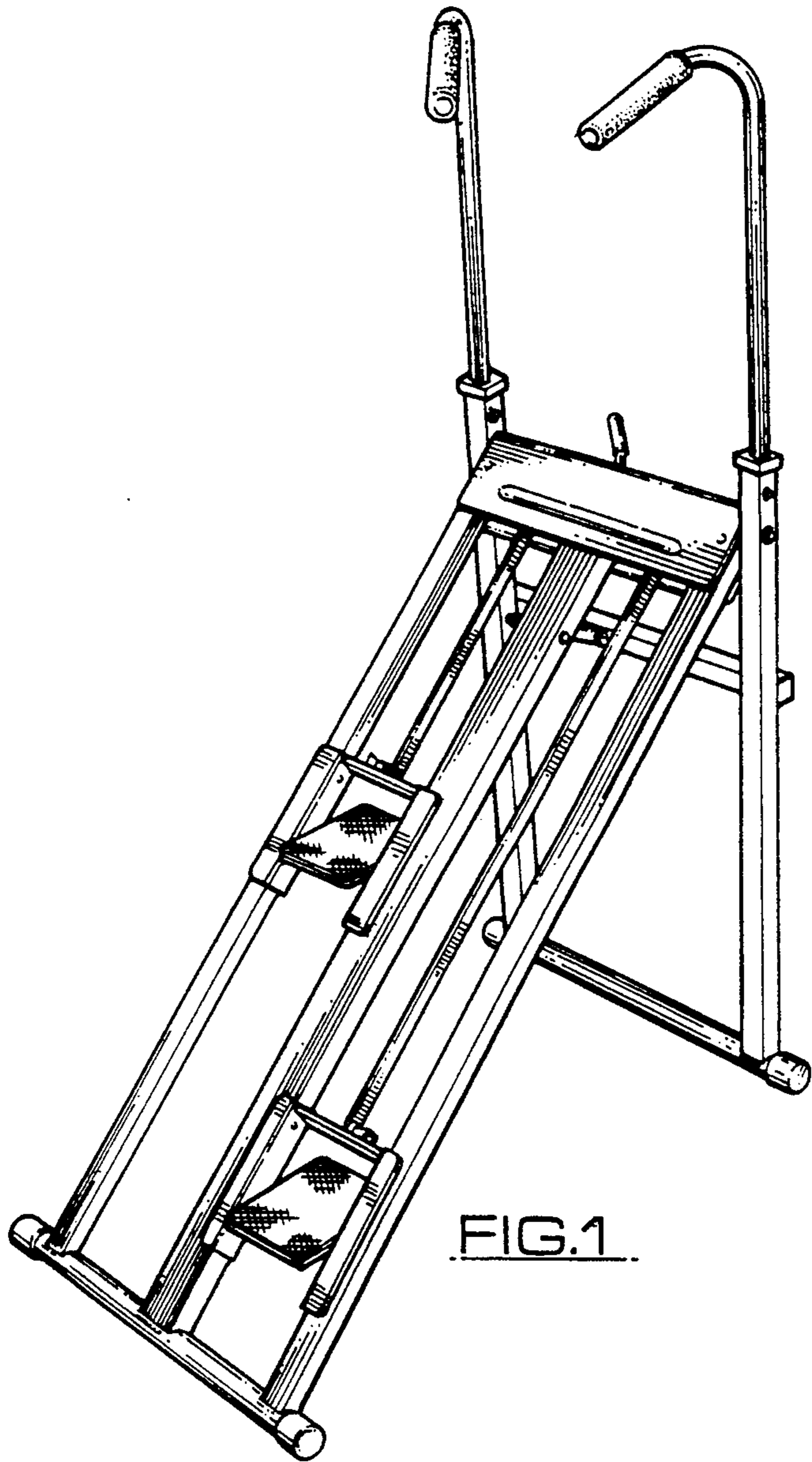


FIG. 1.

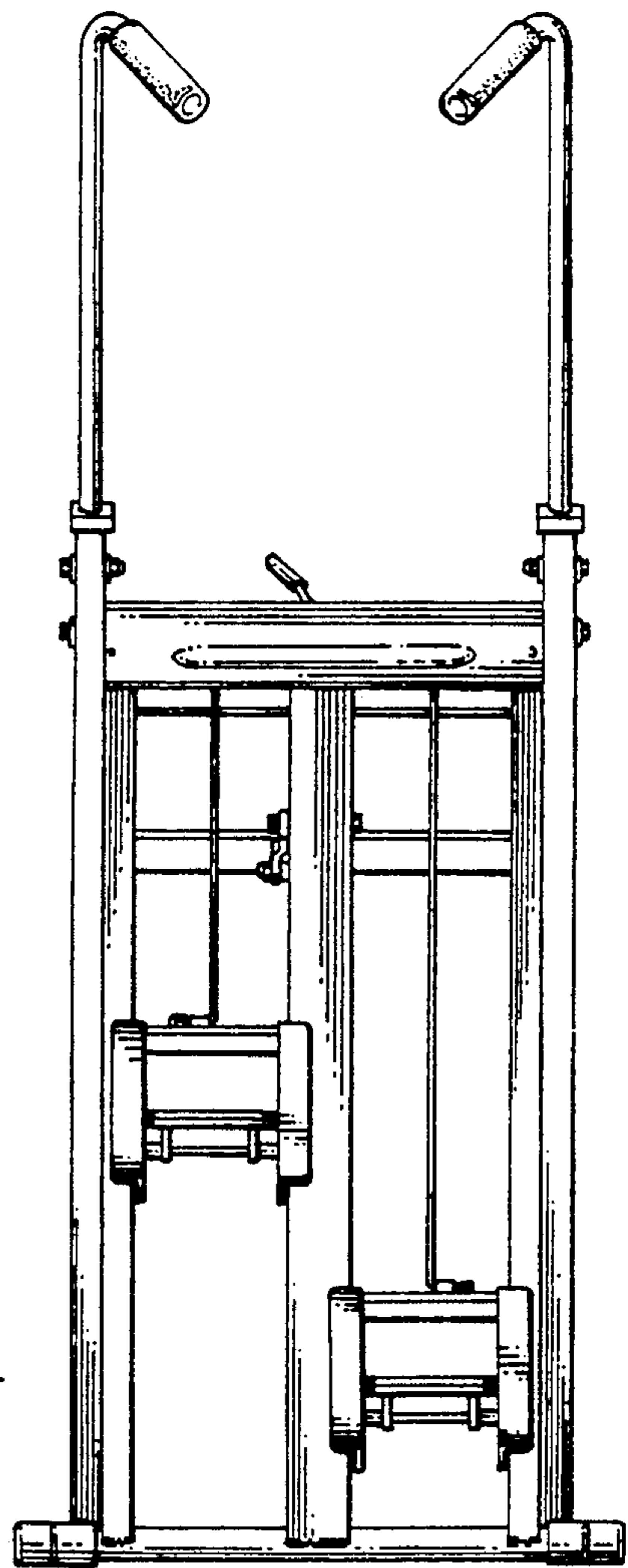


FIG. 2.

