



US00D326694S

United States Patent [19]
Suzuki

[11] **Patent Number: Des. 326,694**
[45] **Date of Patent: ** Jun. 2, 1992**

[54] **TOY RAIL ELEMENT**

[75] **Inventor: Toshio Suzuki, Tokyo, Japan**

[73] **Assignee: Kabushiki-Kaisha Toy Box, Tokyo, Japan**

[**] **Term: 14 Years**

[21] **Appl. No.: 603,828**

[22] **Filed: Oct. 25, 1990**

[30] **Foreign Application Priority Data**

May 10, 1990 [JP] Japan 2-15609
May 10, 1990 [JP] Japan 2-15610
May 10, 1990 [JP] Japan 2-15611

[52] **U.S. Cl. D21/143**

[58] **Field of Search D21/108, 143, 129;
D8/72, 73, 394; 446/446, 447; 238/10 B, 10 F,
10 R**

[56] **References Cited**

U.S. PATENT DOCUMENTS

2,231,089 2/1941 Rorer D21/143
4,195,776 4/1980 Lehmann 238/10 F
4,386,777 6/1983 Prehodka 238/10 F
4,479,650 10/1984 Neuhierl 238/10 F

OTHER PUBLICATIONS

Tyco Toy Catalog 1987 pp. 49, 59 #6705.

Primary Examiner—Bernard Ansher

Assistant Examiner—R. Barkai
Attorney, Agent, or Firm—Sughrue, Mion, Zinn,
Macpeak & Seas

[57] **CLAIM**

The ornamental design for a toy rail element, as shown.

DESCRIPTION

FIG. 1 is a front elevational view of a toy rail element showing my new design;
FIG. 2 is a rear elevational view thereof;
FIG. 3 is a top plan view thereof;
FIG. 4 is a bottom plan view thereof;
FIG. 5 is a right side elevational view thereof;
FIG. 6 is a left side elevational view thereof;
FIG. 7 is a perspective view thereof;
FIG. 8 is a front elevational view of second modified embodiment of the design shown in FIGS. 1-7;
FIG. 9 is a rear elevational view thereof;
FIG. 10 is a top plan view thereof;
FIG. 11 is a bottom plan view thereof;
FIG. 12 is a right side elevational view thereof;
FIG. 13 is a left side elevational view thereof;
FIG. 14 is a perspective view thereof;
FIG. 15 is a front elevational view of a third modified embodiment of the design shown in FIGS. 1-7;
FIG. 16 is a rear elevational view thereof;
FIG. 17 is a top plan view thereof;
FIG. 18 is a bottom plan view thereof;
FIG. 19 is a left side elevational view thereof;
FIG. 20 is a right side elevational view thereof; and,
FIG. 21 is a perspective view thereof.

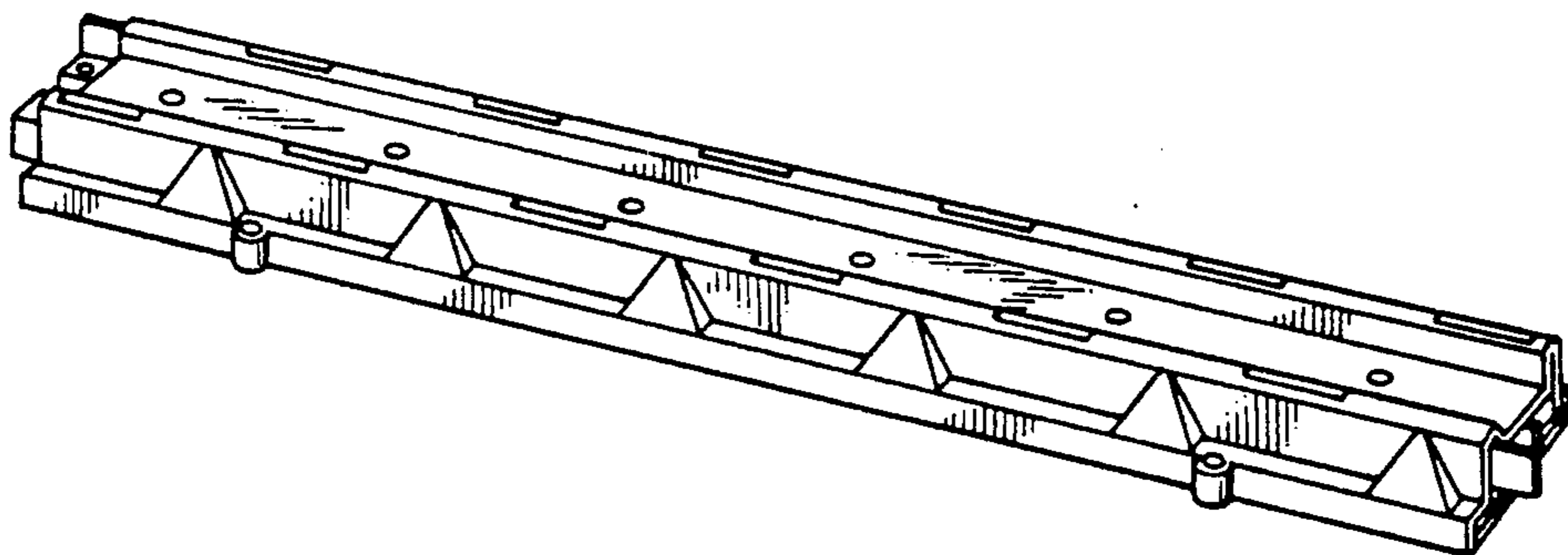


FIG. 1



FIG. 2



FIG. 3

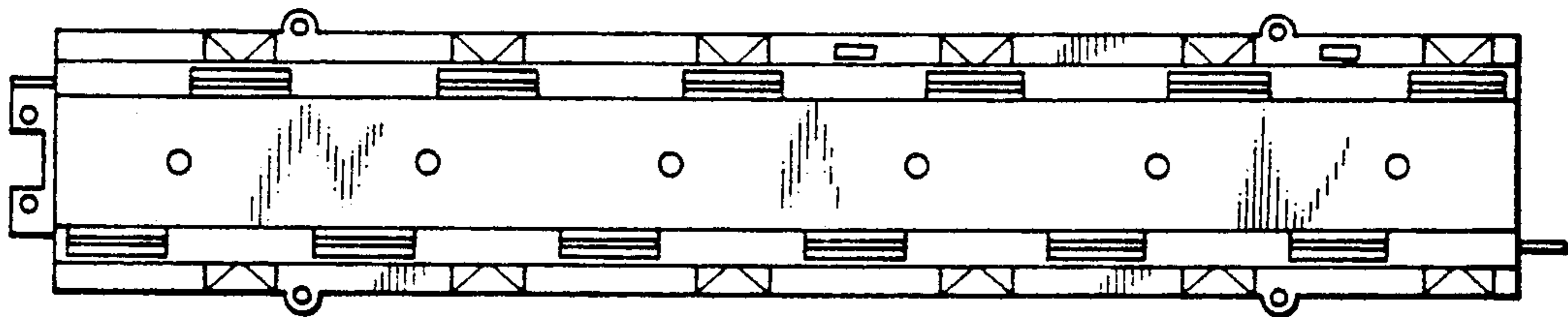


FIG. 4

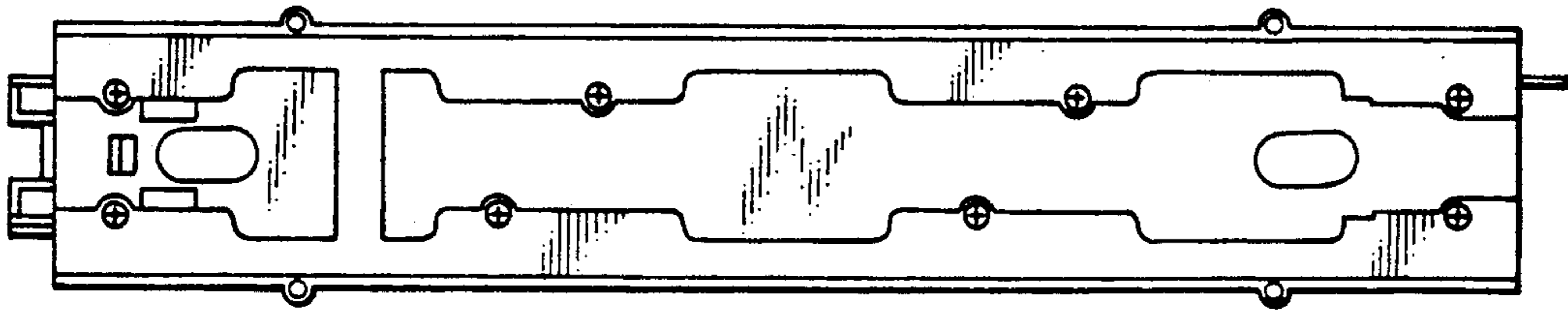


FIG. 5

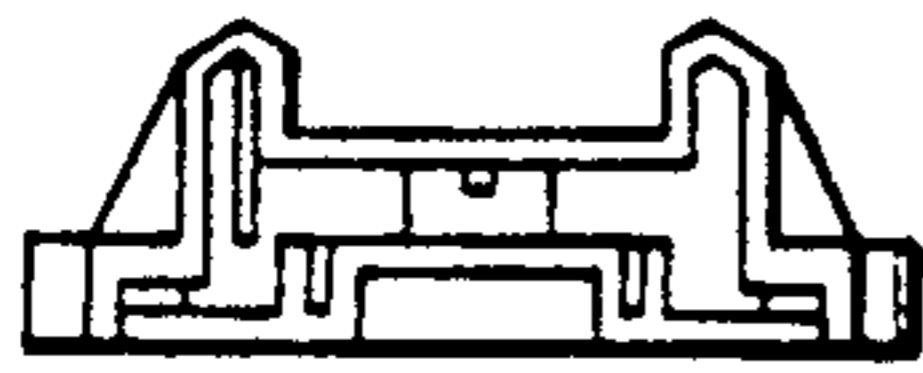


FIG. 6



FIG. 7

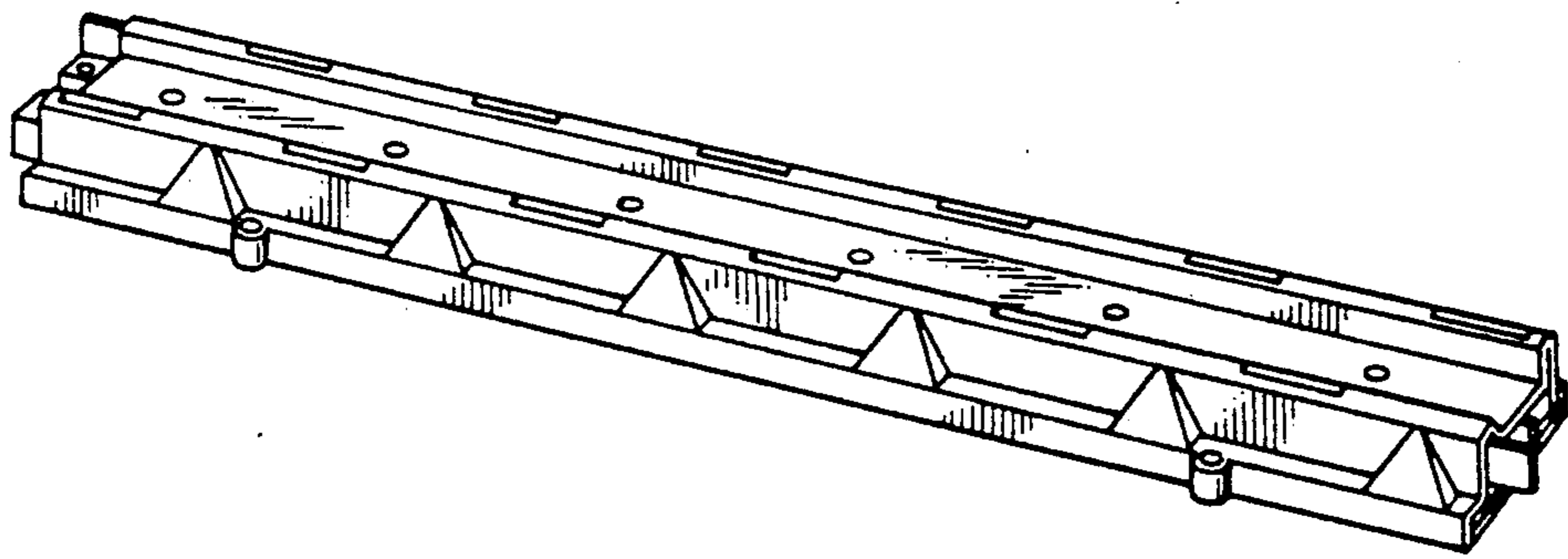


FIG. 8



FIG. 9

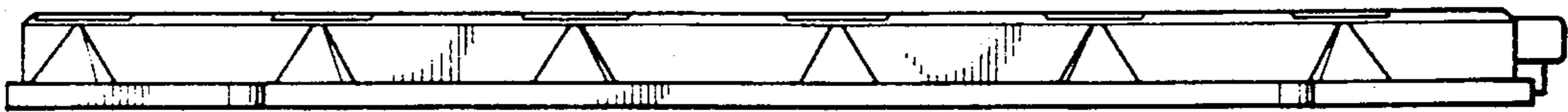


FIG. 10

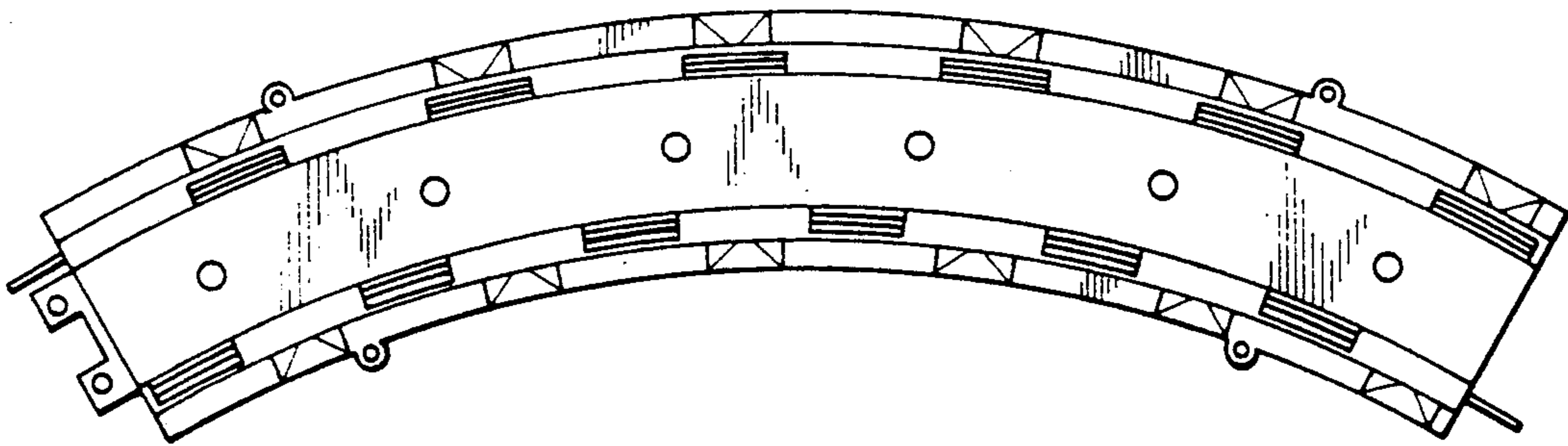


FIG. 11

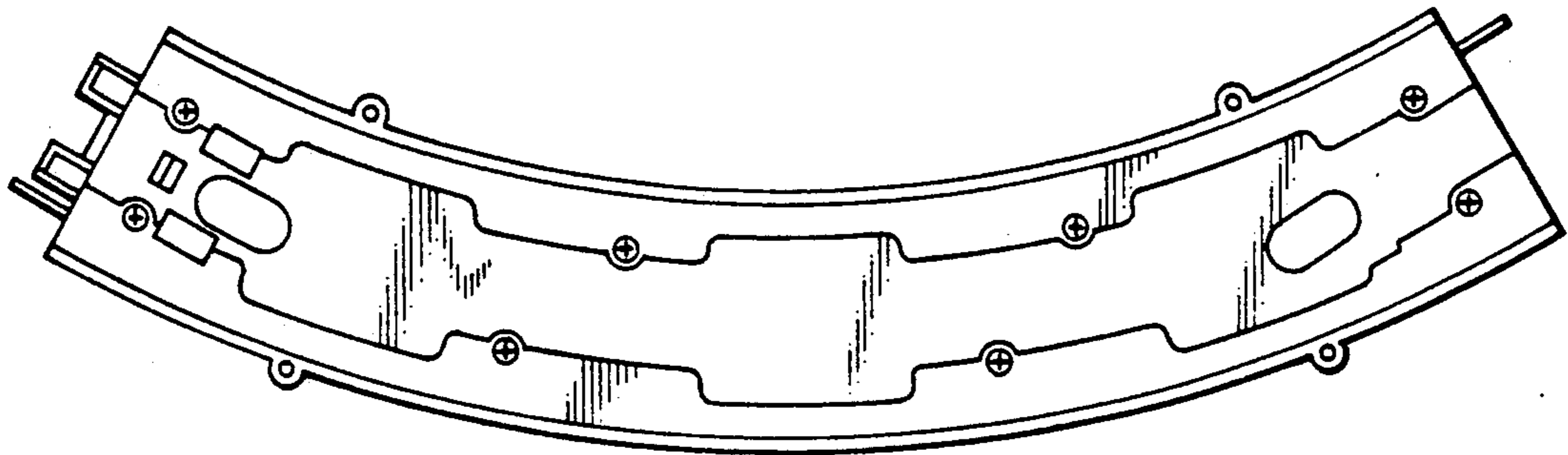


FIG. 12



FIG. 13



FIG. 14

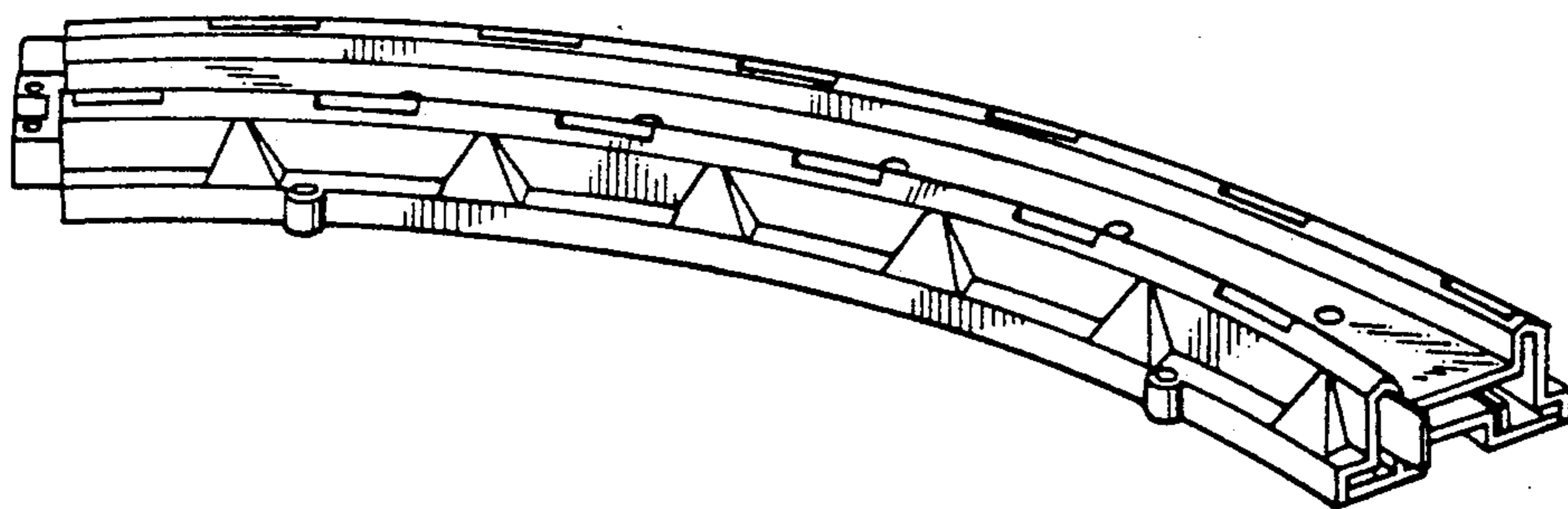


FIG. 15

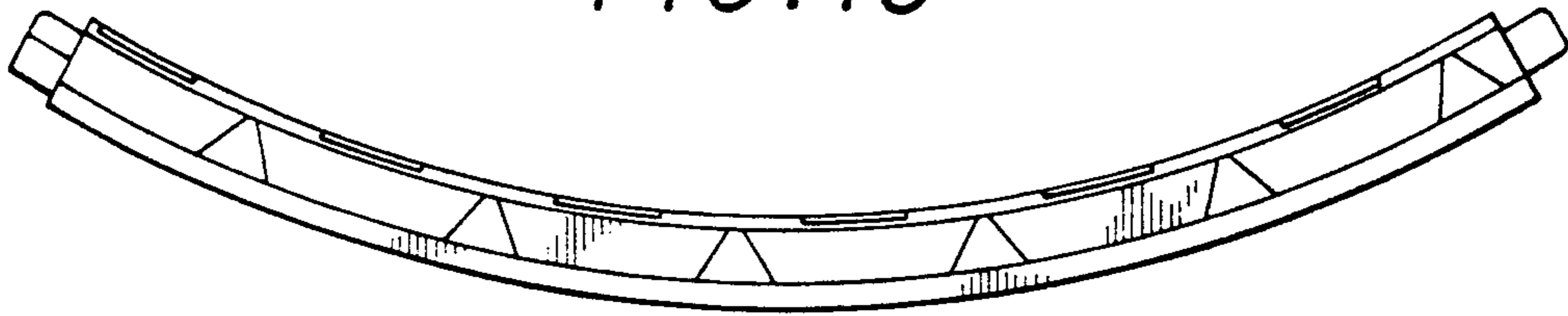


FIG. 16

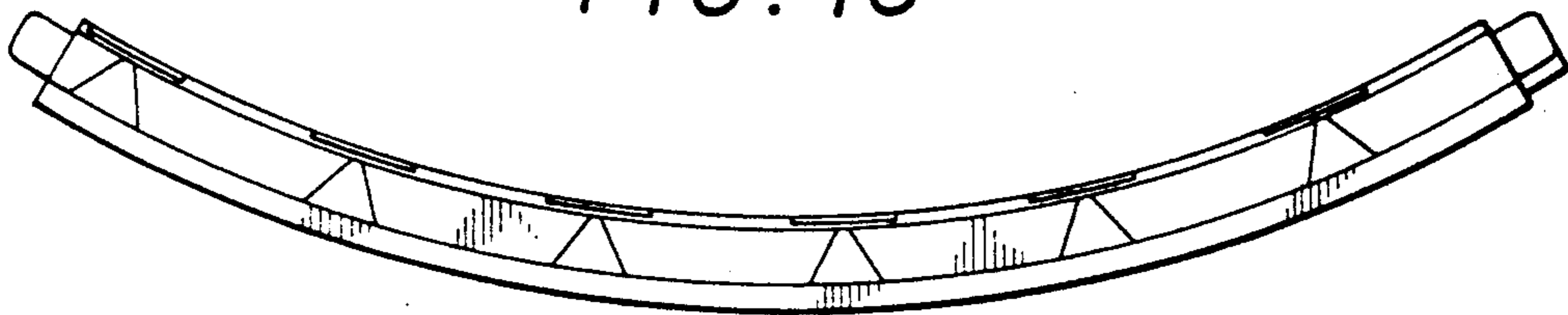


FIG. 17

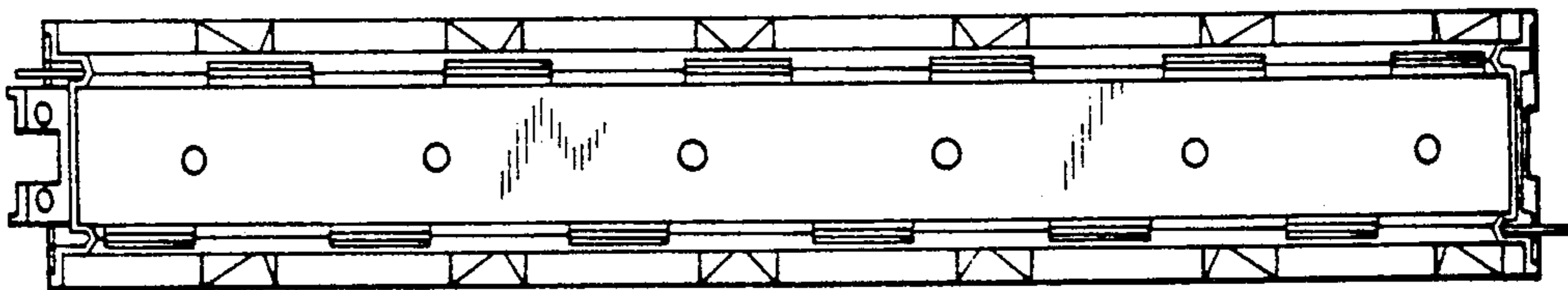


FIG. 18

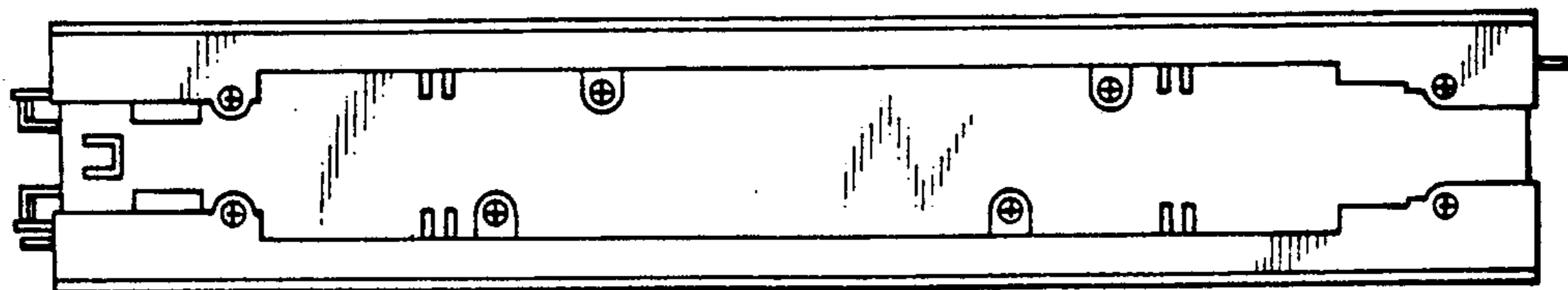


FIG. 19

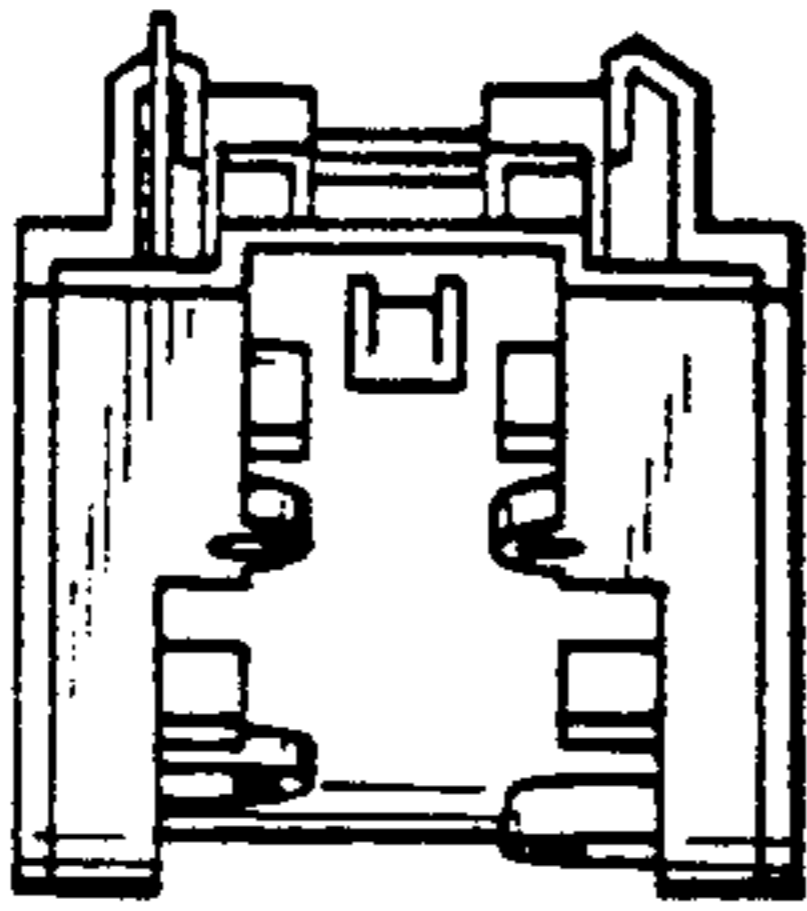


FIG. 20

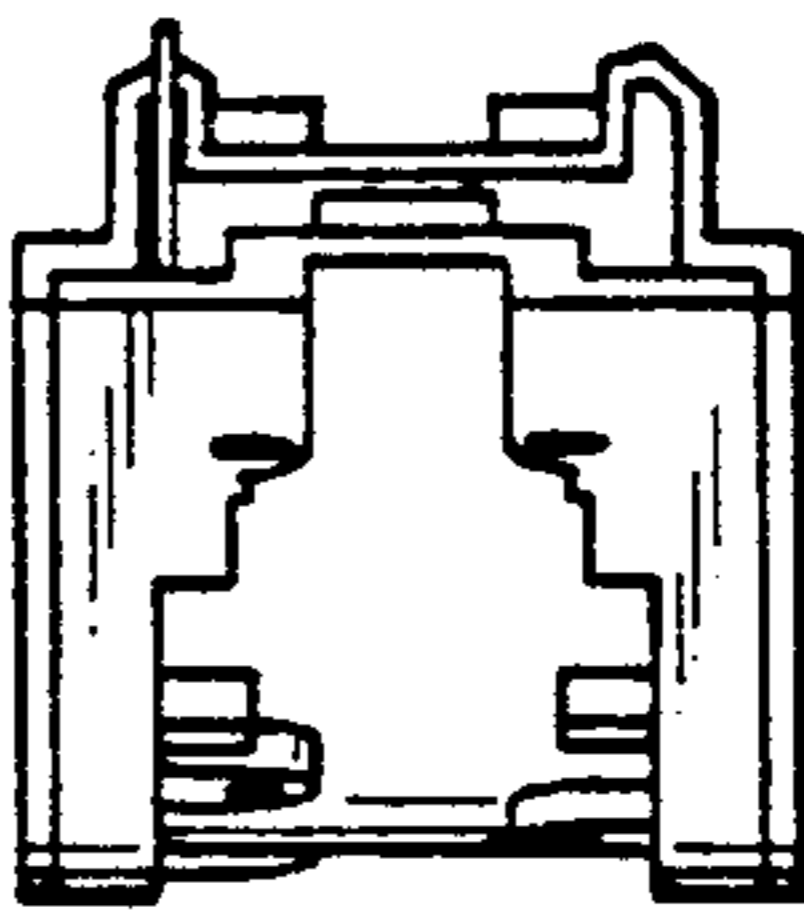


FIG. 21

