



US00D326692S

United States Patent [19]

Taylor et al.

[11] Patent Number: **Des. 326,692**

[45] Date of Patent: **** Jun. 2, 1992**

[54] TOY SUBMARINE

[75] Inventors: **Christopher J. C. Taylor; Christopher C. Wiggs**, both of London, Great Britain

[73] Assignee: **Kiddicraft Limited**, Bristol, Great Britain

[**] Term: **14 Years**

[21] Appl. No.: **520,398**

[22] Filed: **May 8, 1990**

[30] **Foreign Application Priority Data**

Nov. 8, 1989 [GB] United Kingdom 2002262

[52] U.S. Cl. **D21/130**

[58] Field of Search D21/59, 130; 446/153, 446/160, 161, 164; D12/300, 308

[56] **References Cited**

U.S. PATENT DOCUMENTS

D. 196,087	8/1963	Armstrong	D21/130
D. 239,613	4/1976	Askeborn	D21/130
D. 245,529	8/1977	Hudson	D21/130
D. 294,279	2/1988	Ferguson et al.	D21/130
D. 311,557	10/1990	Thomson et al.	D21/130

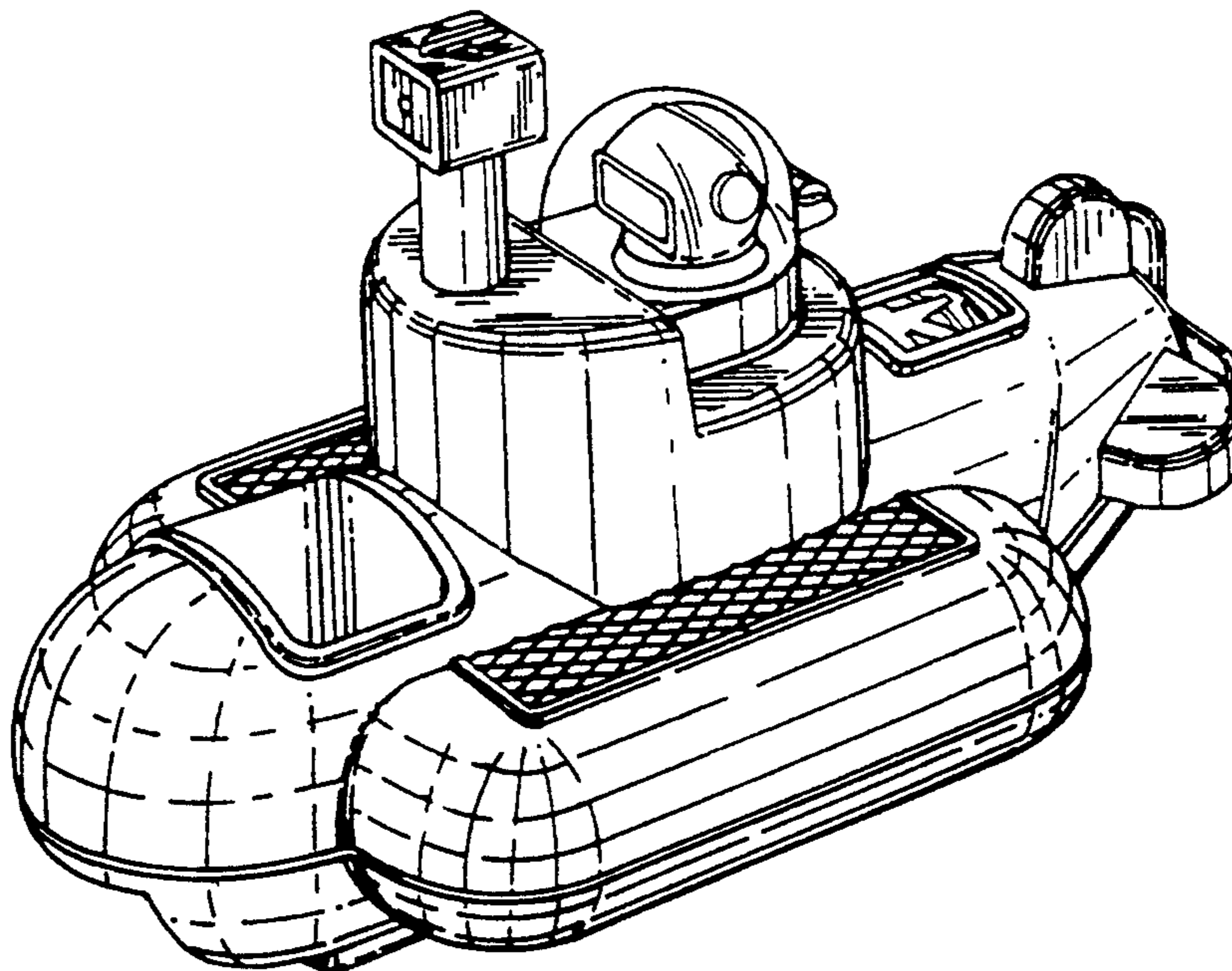
Primary Examiner—Charles A. Rademaker

[57] **CLAIM**

The ornamental design for a toy submarine, as shown and described.

DESCRIPTION

FIG. 1 is a front perspective view of a toy submarine showing our new design;
 FIG. 2 is a front elevational view thereof;
 FIG. 3 is a rear elevational view thereof;
 FIG. 4 is a side elevational view thereof;
 FIG. 5 is a side elevational view of the side opposite that shown in FIG. 4;
 FIG. 6 is a top plan view thereof; and,
 FIG. 7 is a bottom plan view thereof.



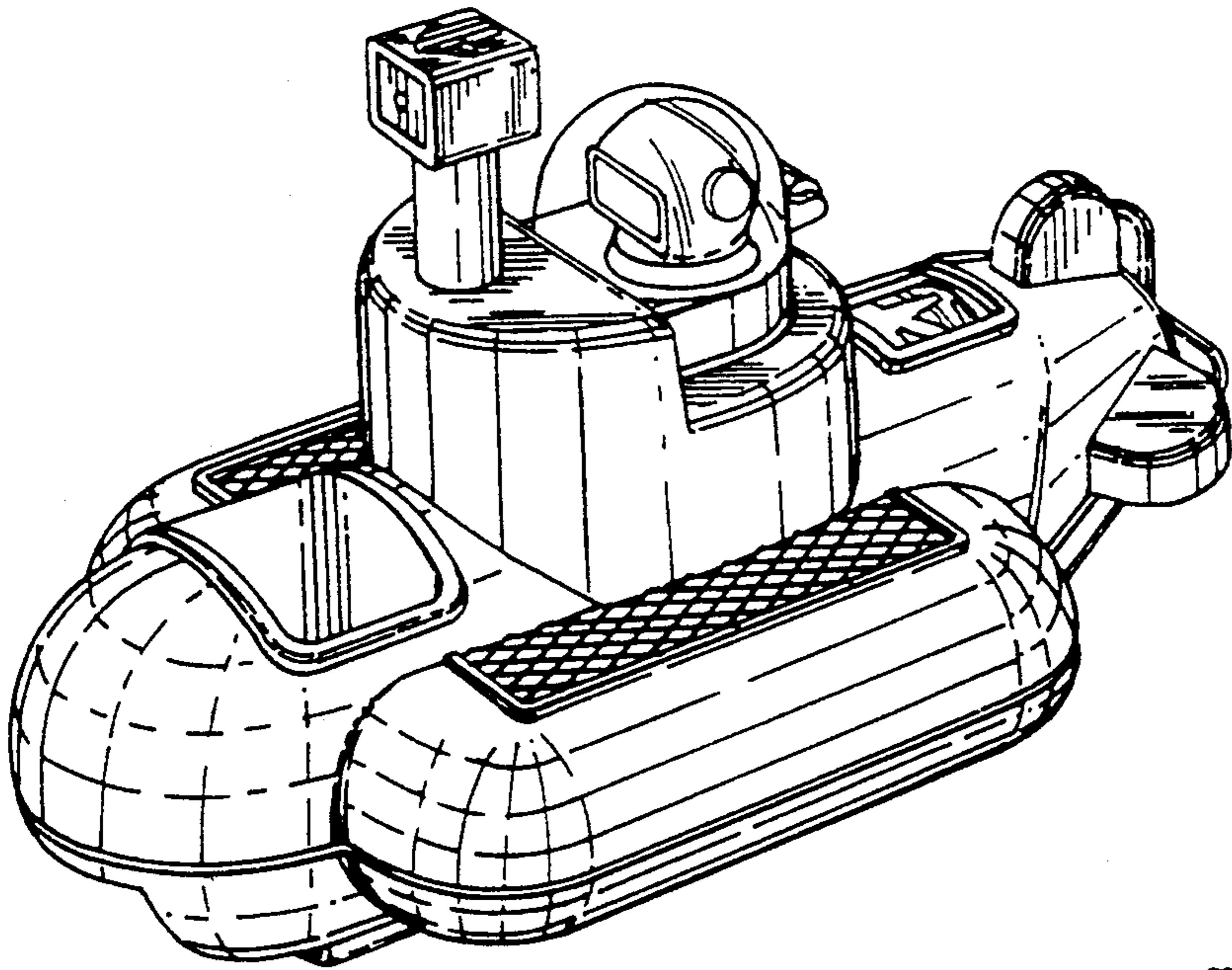


FIG. 1

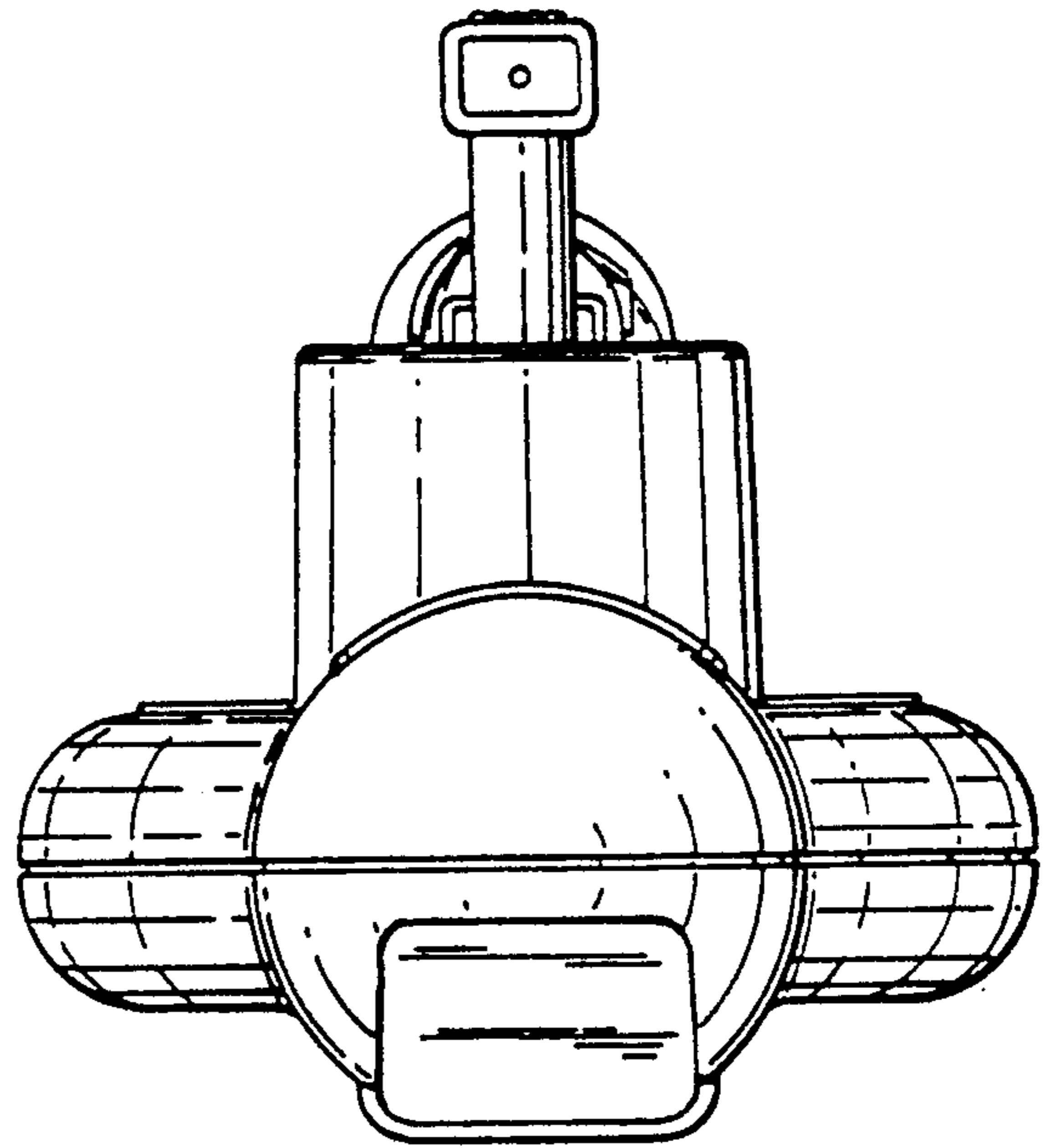


FIG. 2

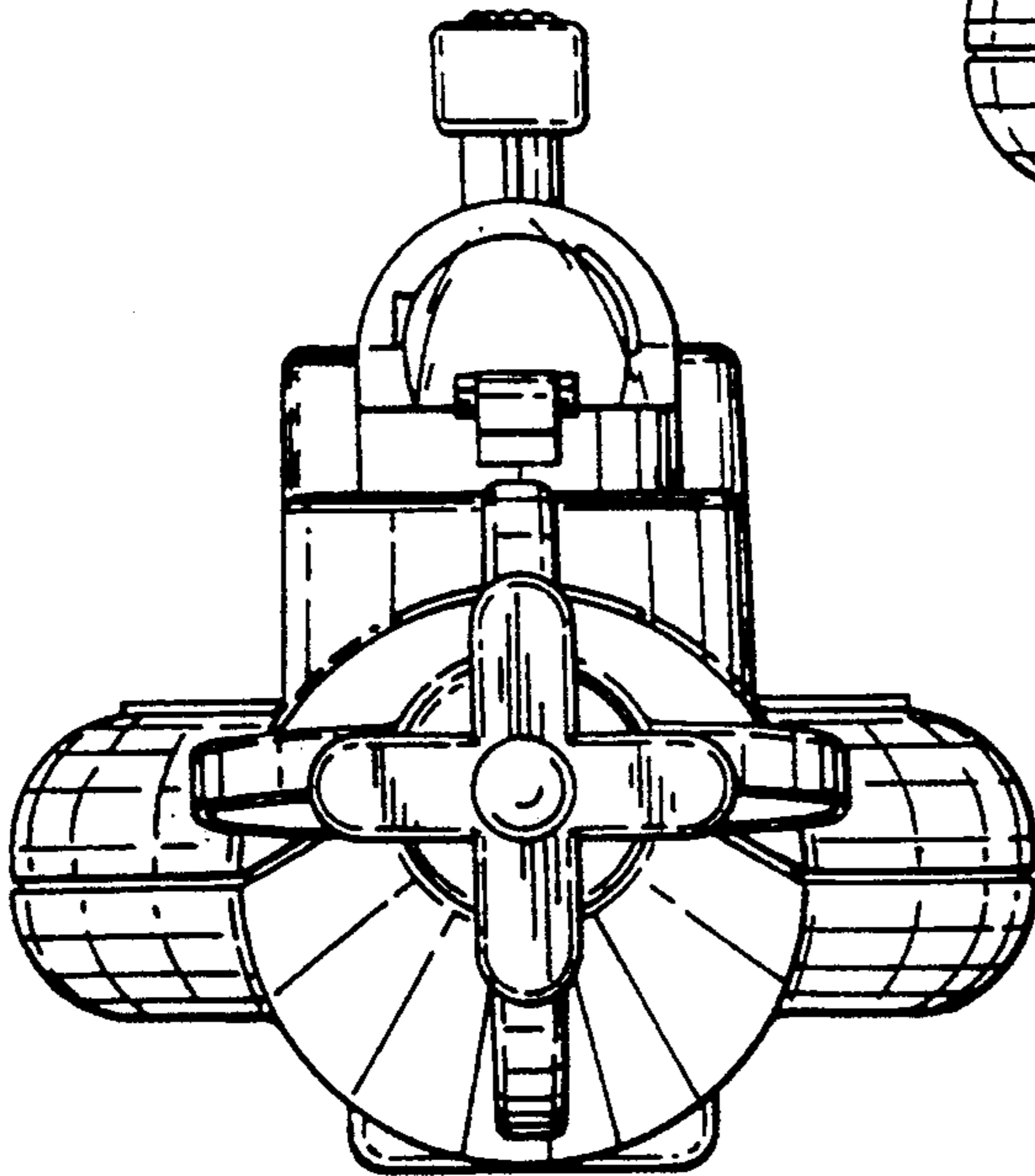


FIG. 3

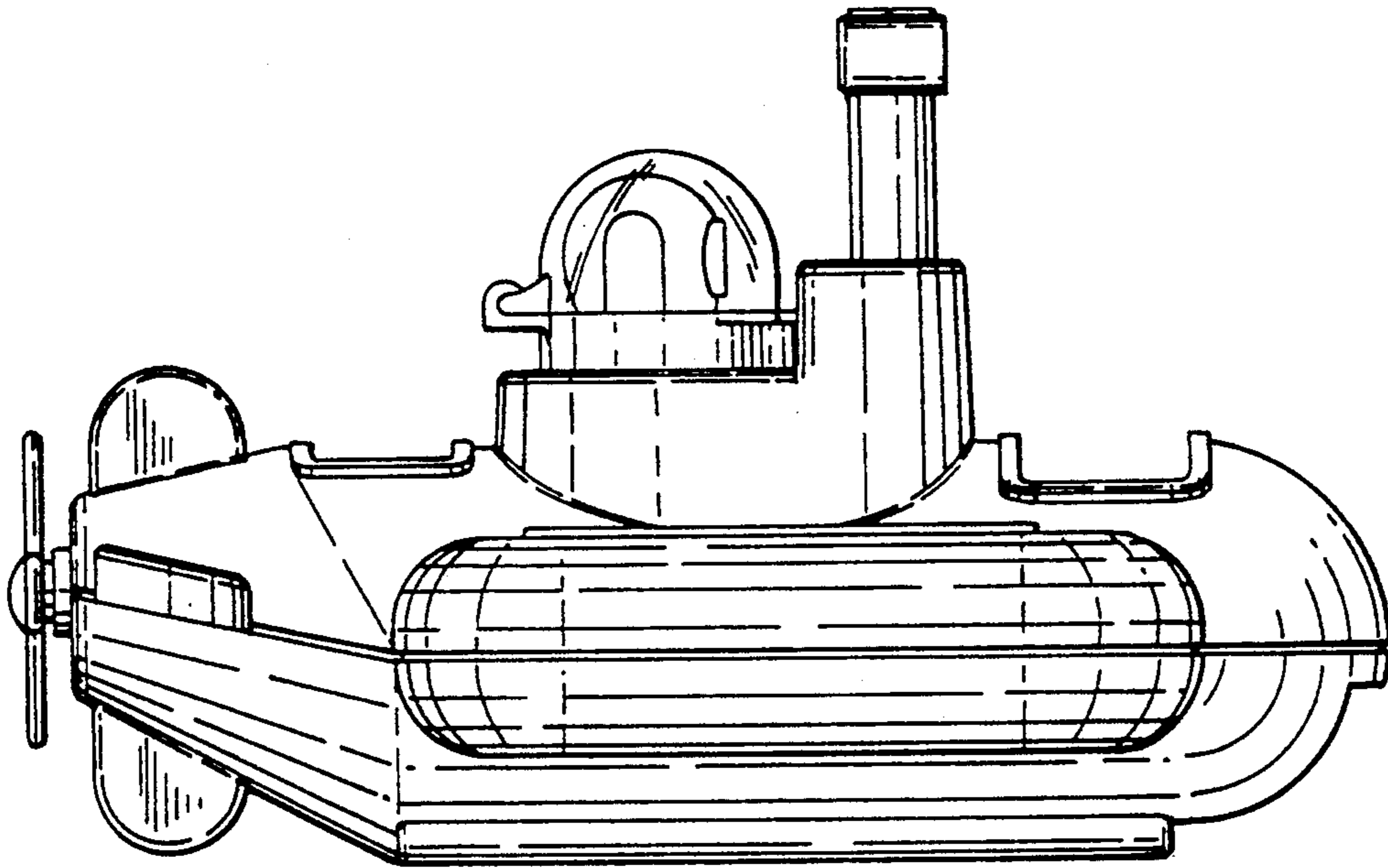


FIG. 4

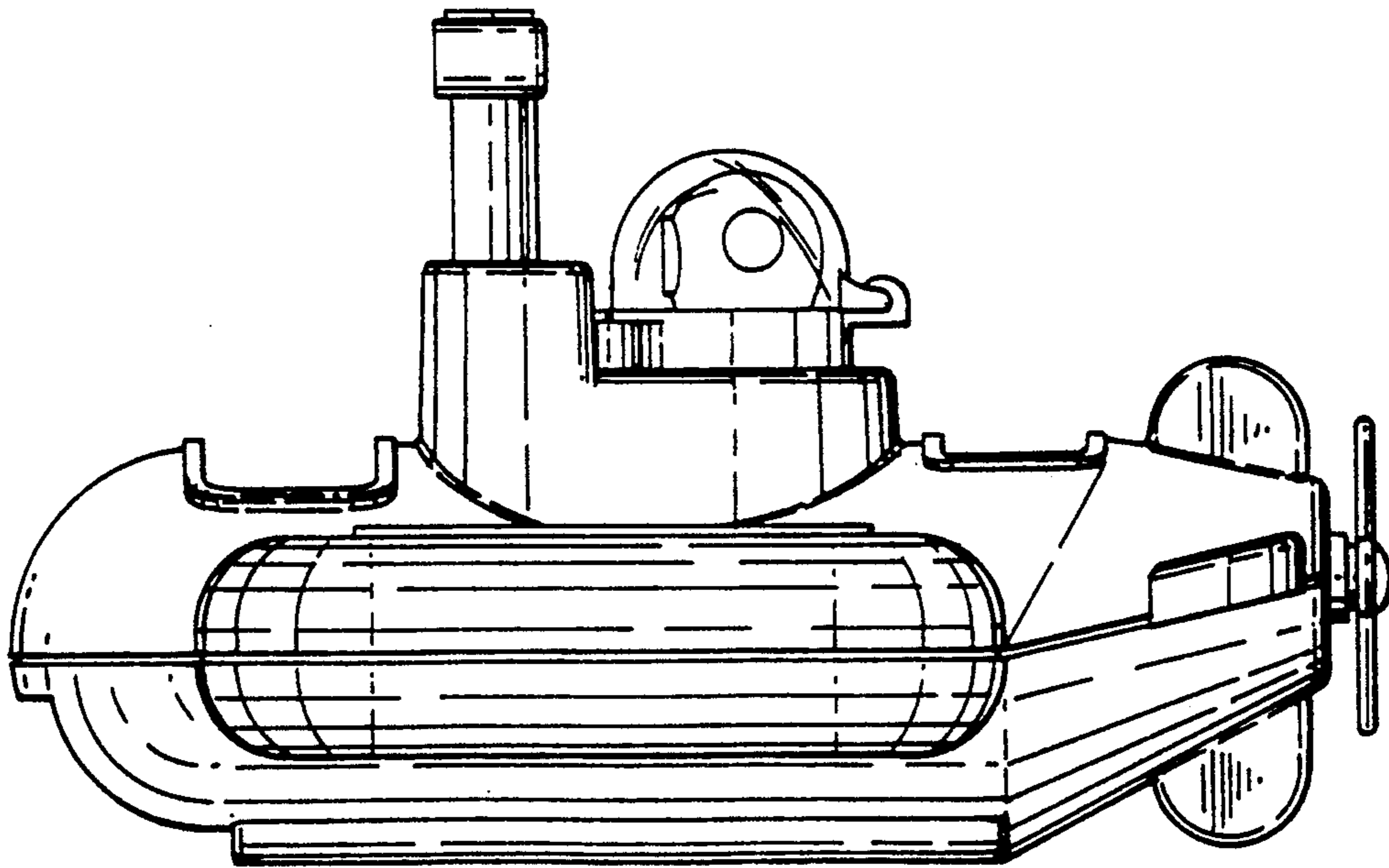


FIG. 5

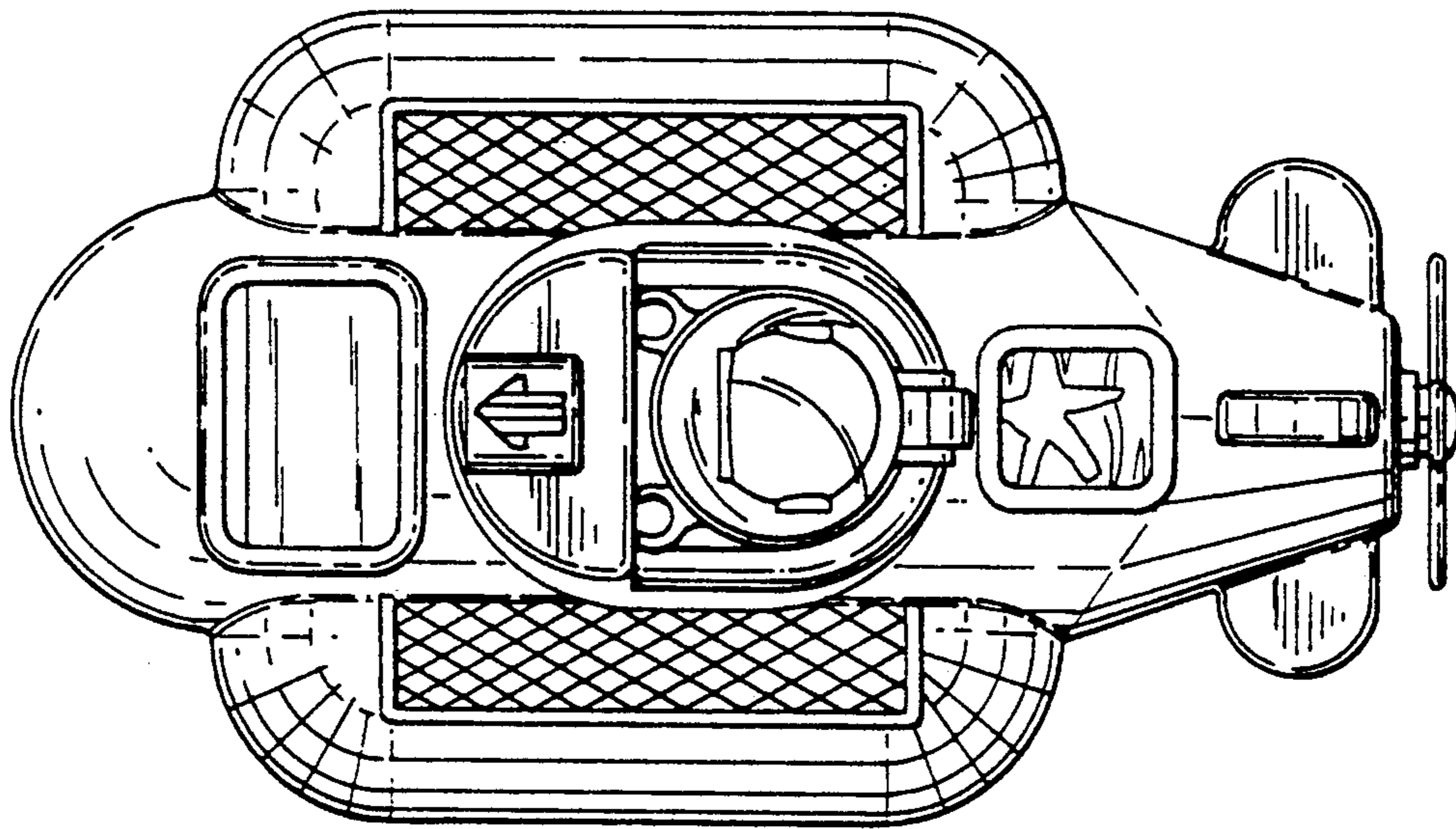


FIG. 6

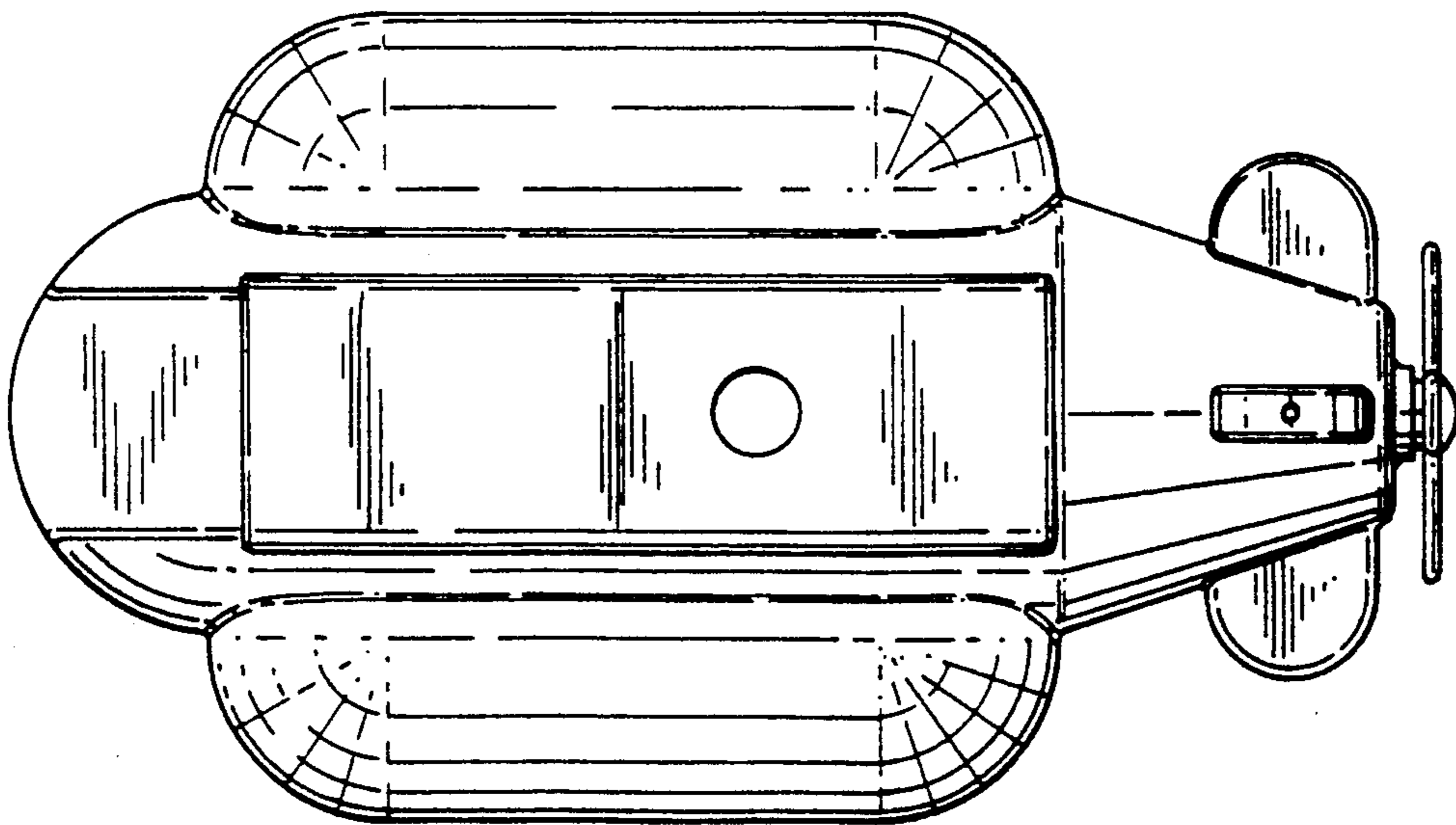


FIG. 7