



US00D326691S

# United States Patent [19]

[11] Patent Number: **Des. 326,691**

Mepham et al.

[45] Date of Patent: **\*\* Jun. 2, 1992**

## [54] TOY VEHICLE

[75] Inventors: **Kenneth J. Mepham, Poynette; Jeffrey Janis, Madison, both of Wis.**

[73] Assignee: **Oscar Mayer Foods Corporation, Madison, Wis.**

[\*\*] Term: **14 Years**

[21] Appl. No.: **666,410**

[22] Filed: **Mar. 8, 1991**

[52] U.S. Cl. .... **D21/128**

[58] Field of Search ..... **D21/82, 87, 128, 131, D21/133, 134, 137, 140, 141; D12/1, 83; D10/2, 12; D19/64; 446/93, 94, 95, 96, 432, 433, 465, 466; 434/203, 204; 368/10, 278, 285**

## [56] References Cited

### U.S. PATENT DOCUMENTS

D. 171,550	2/1954	Mayer .....	D12/83
D. 264,202	5/1982	Elkins et al. .	
D. 275,584	9/1984	Murakami .	
D. 281,000	10/1985	Kuna .....	D21/134
D. 309,930	8/1990	Asaeda .....	D21/137
3,810,515	5/1974	Ingro .....	446/433

## OTHER PUBLICATIONS

Hong Kong Toys '89. p. 234. top right of page.  
Hong Kong Toys '89. p. 675, bottom right of page.  
Photographs of Existing Oscar Mayer Automotive Vehicle known as the "Wienermobile" attached as Exhibits A, B, C and D.  
Copy of a photograph of a Wiener-Shaped Whistle previously distributed to the public of the United States as a promotional item by Oscar-Mayer.

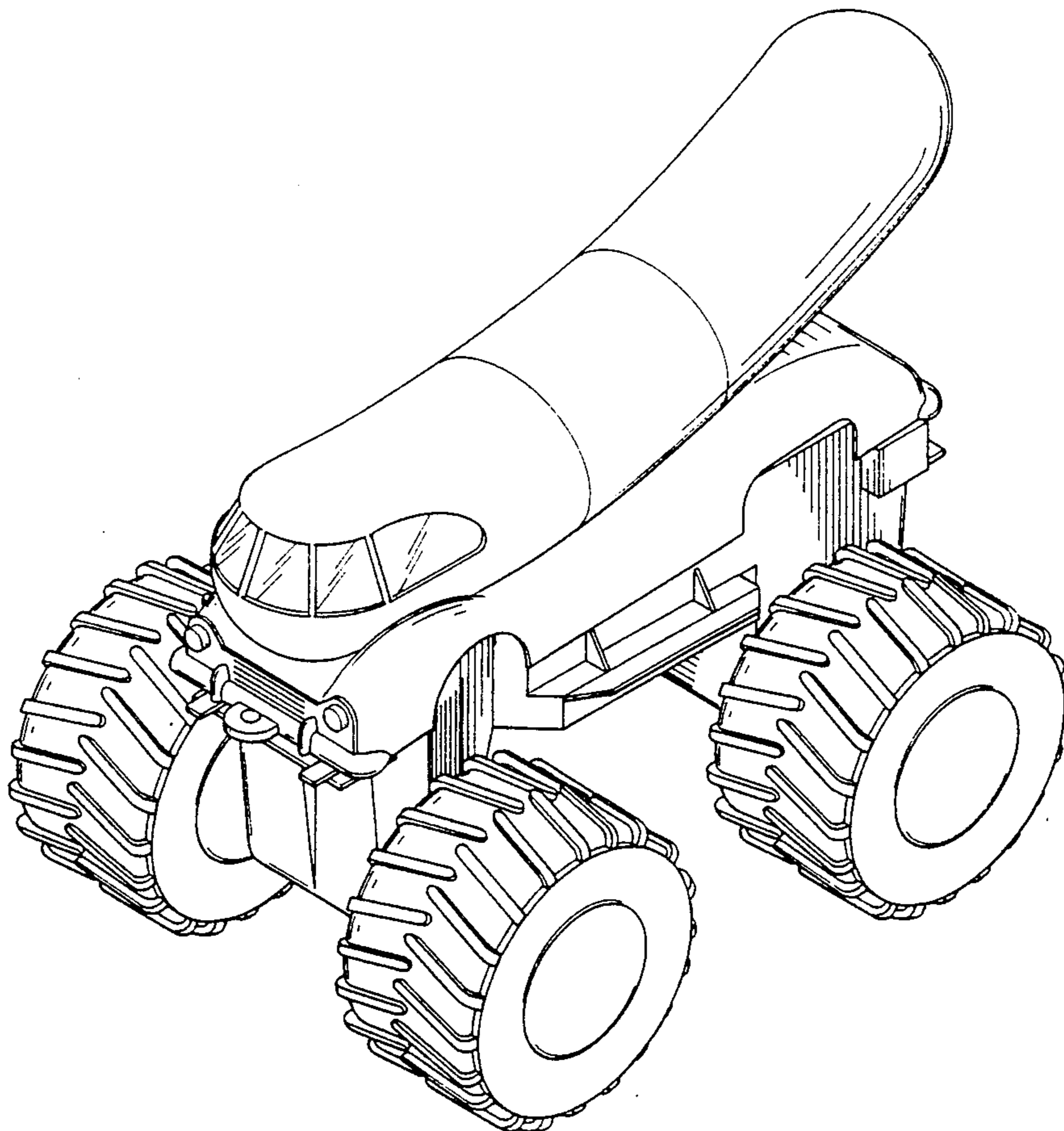
*Primary Examiner*—Bernard Ansher  
*Assistant Examiner*—R. Barkai  
*Attorney, Agent, or Firm*—Foley & Lardner

## [57] CLAIM

The ornamental design for a toy vehicle, as shown and described.

## DESCRIPTION

FIG. 1 is a perspective view of a toy vehicle showing our new design;  
FIG. 2 is a front elevational view thereof;  
FIG. 3 is a top plan view thereof;  
FIG. 4 is a left side elevational view thereof;  
FIG. 5 is a bottom plan view thereof;  
FIG. 6 is a right side elevational view thereof; and,  
FIG. 7 is a rear elevational view thereof.



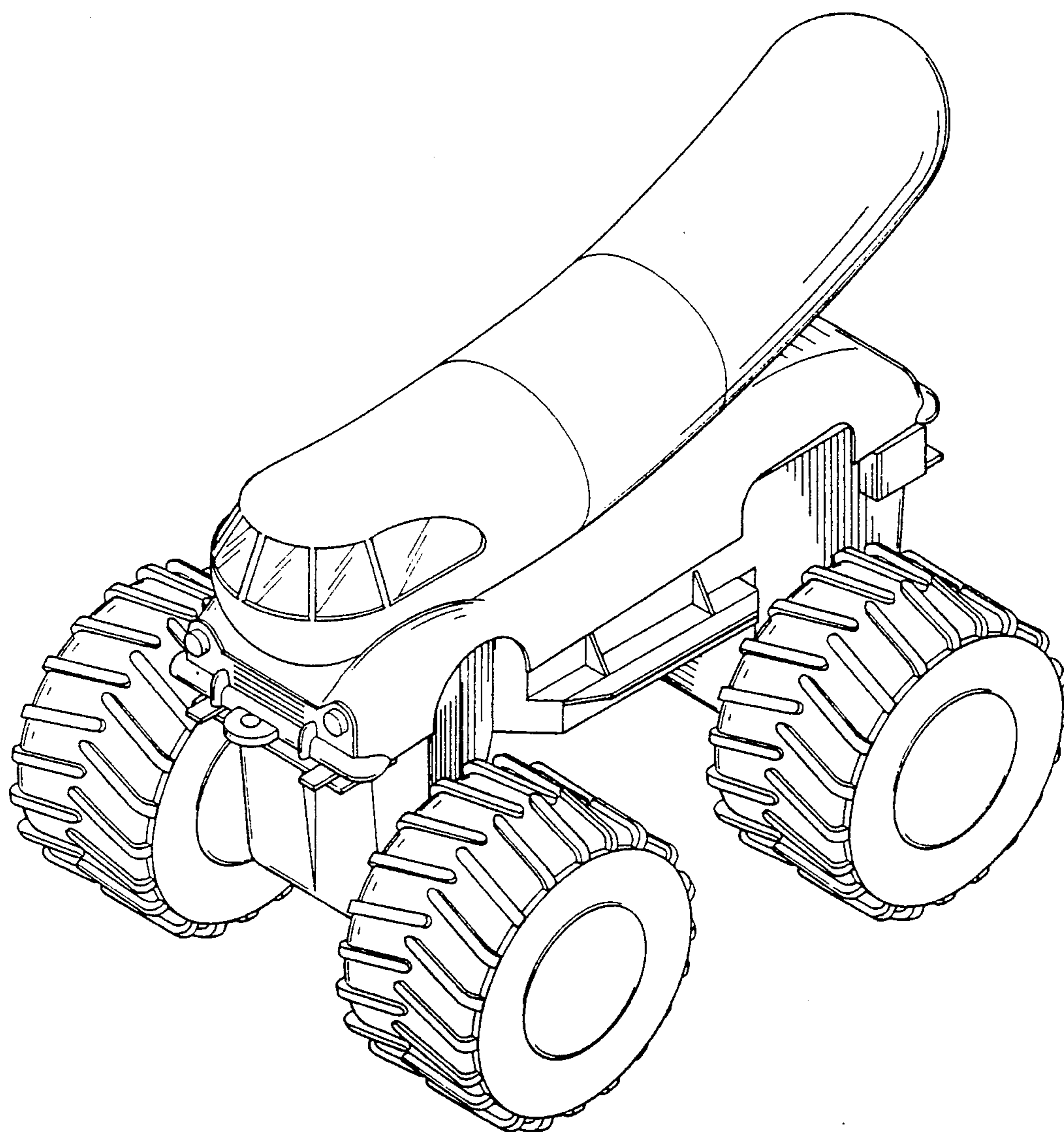


FIG. 1



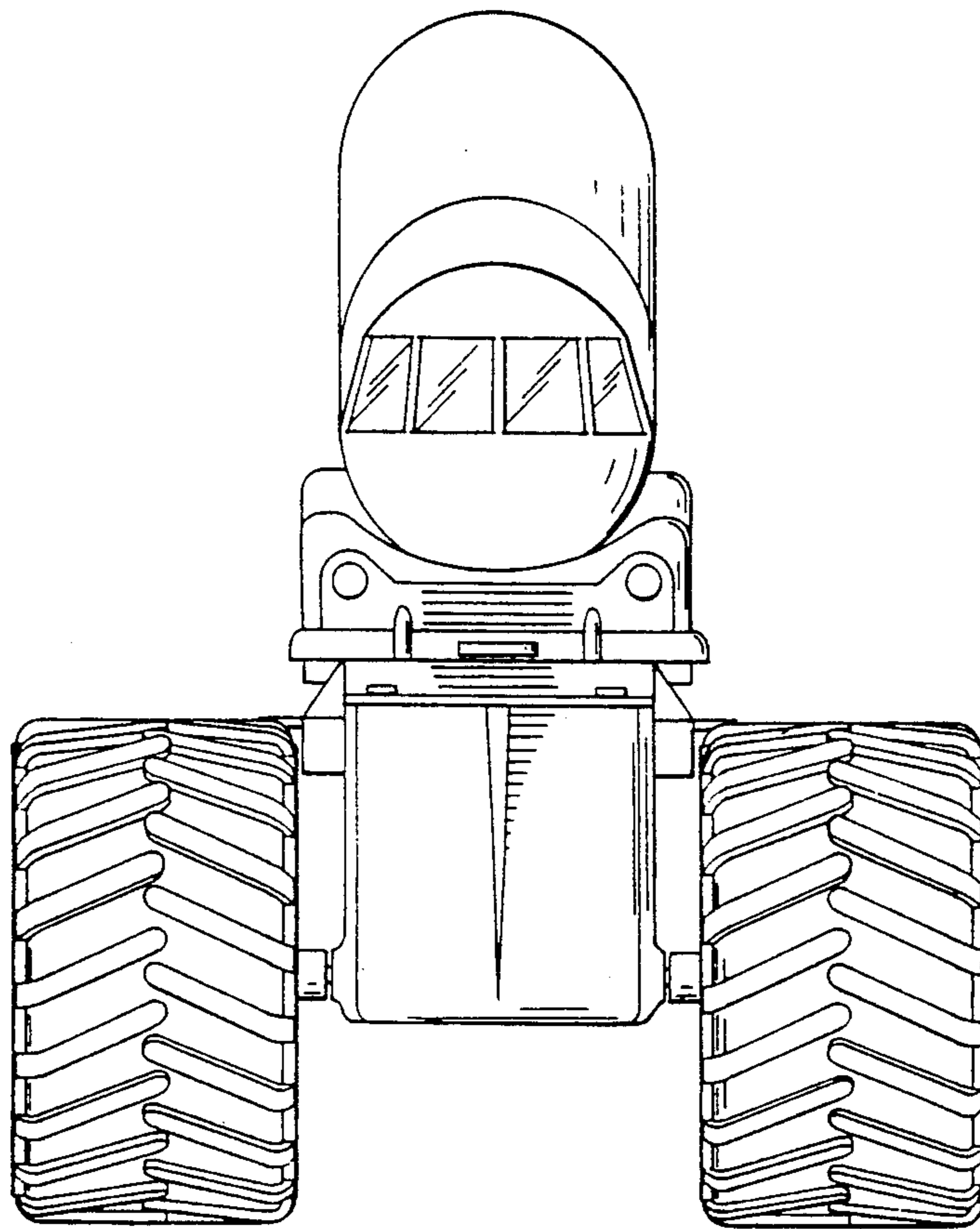


FIG. 2

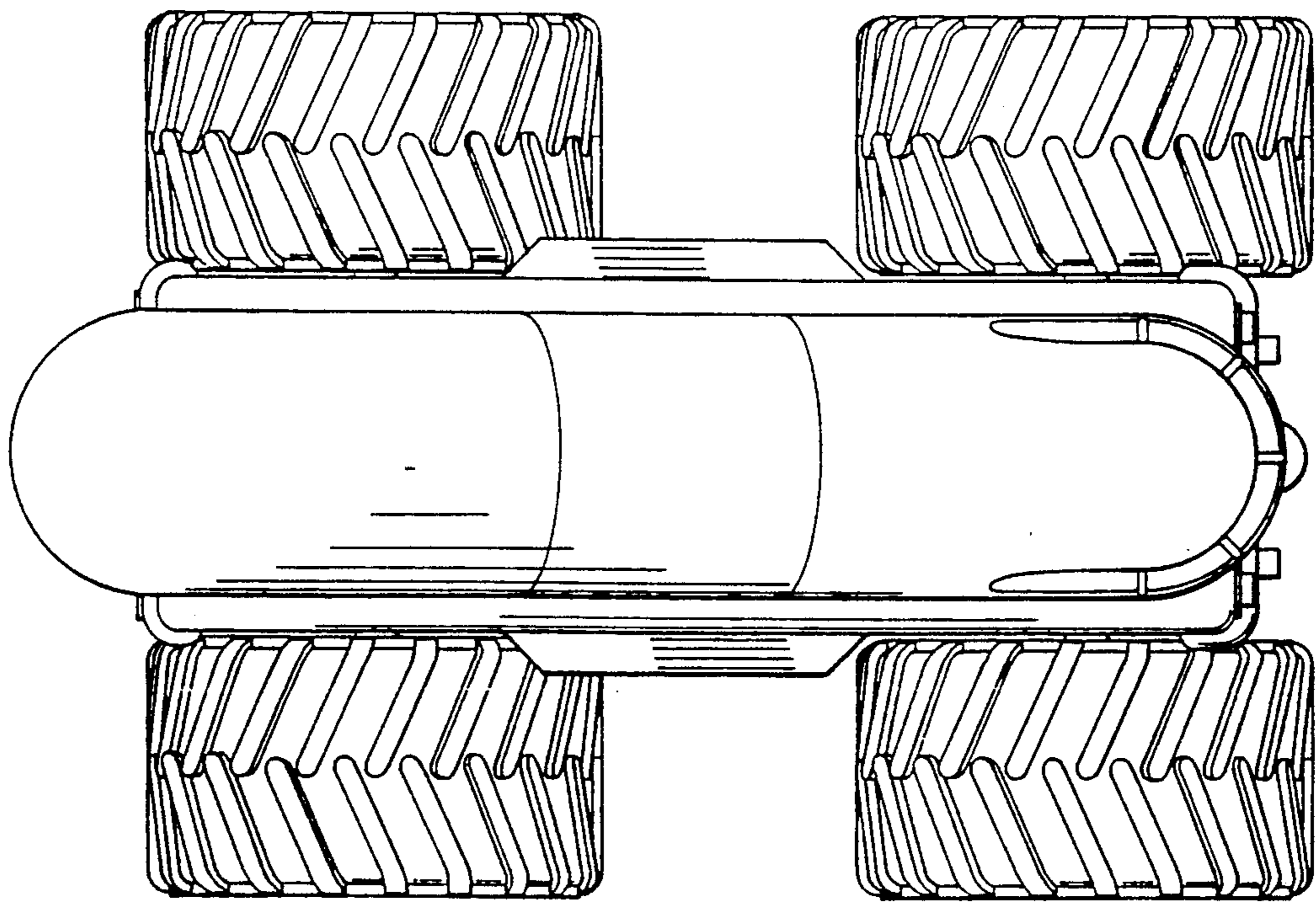


FIG. 3

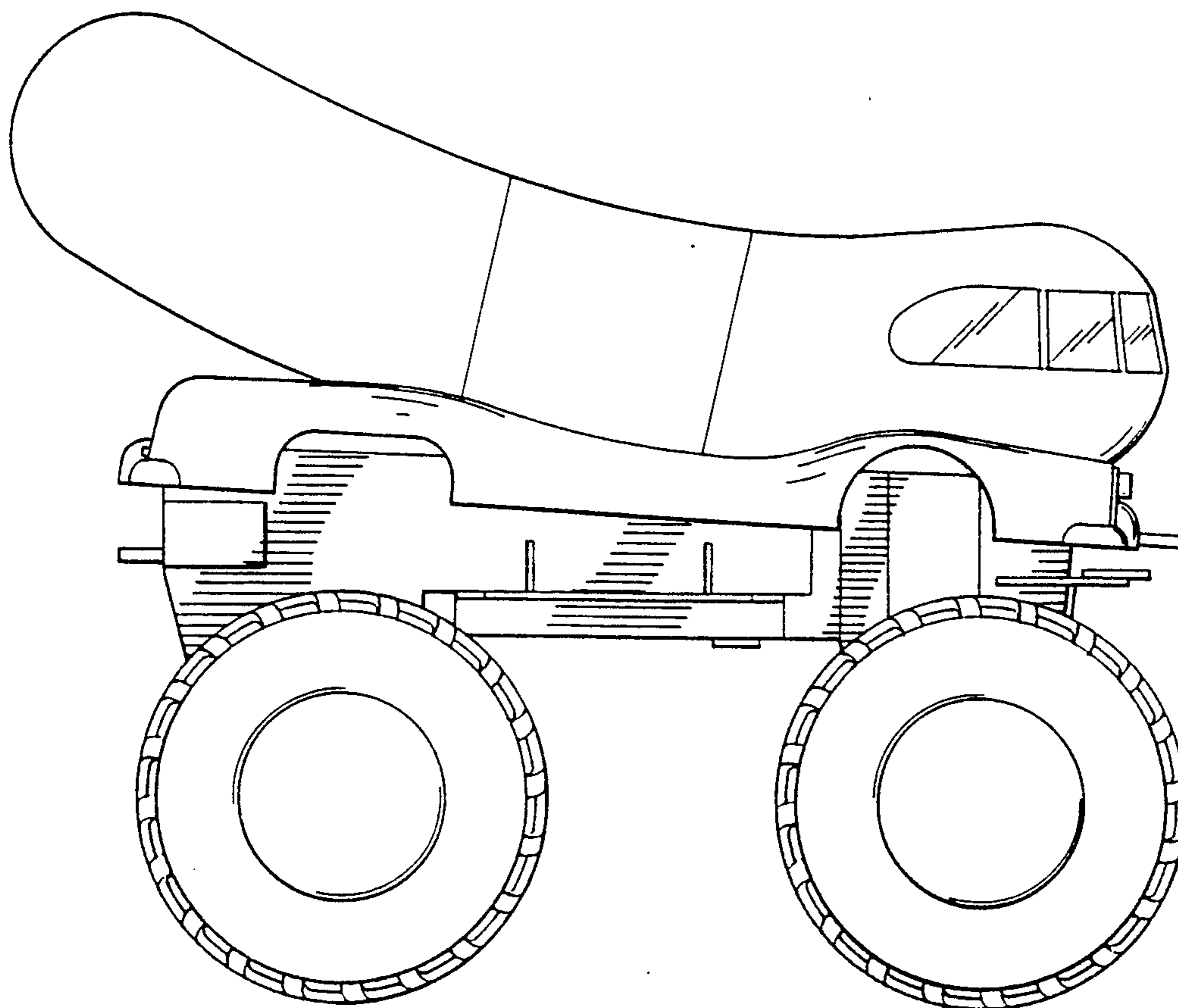


FIG. 4

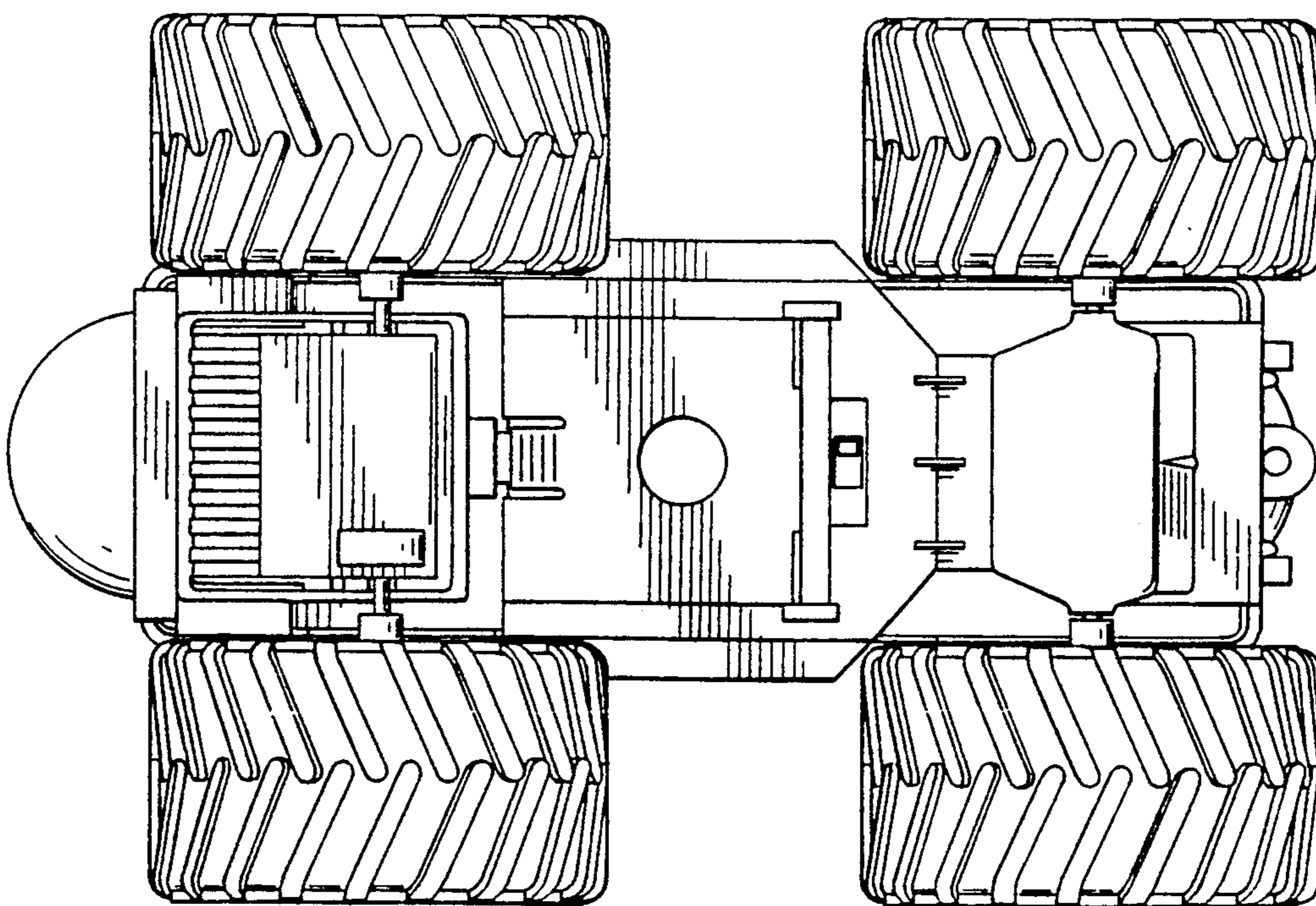


FIG. 5

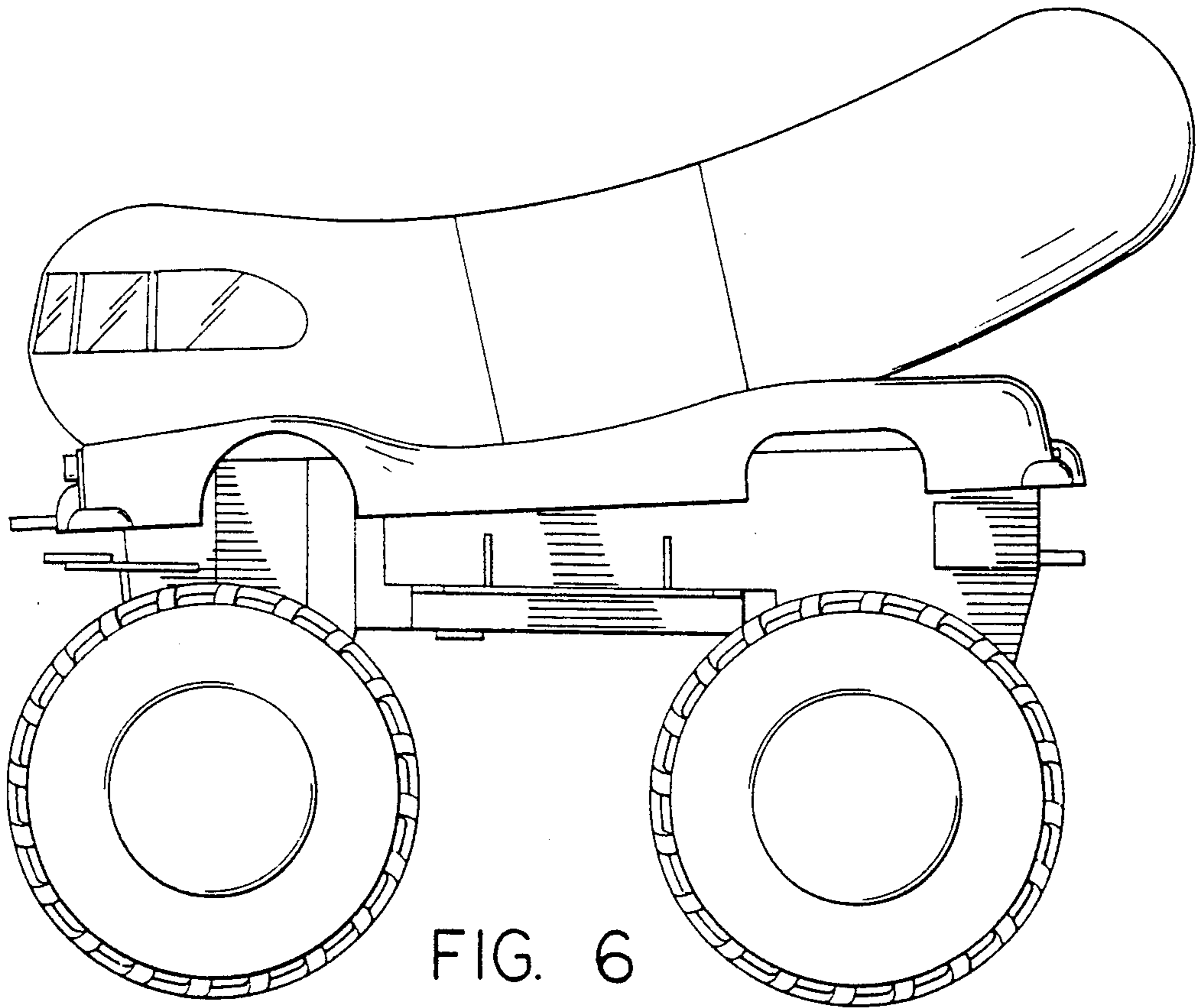


FIG. 6

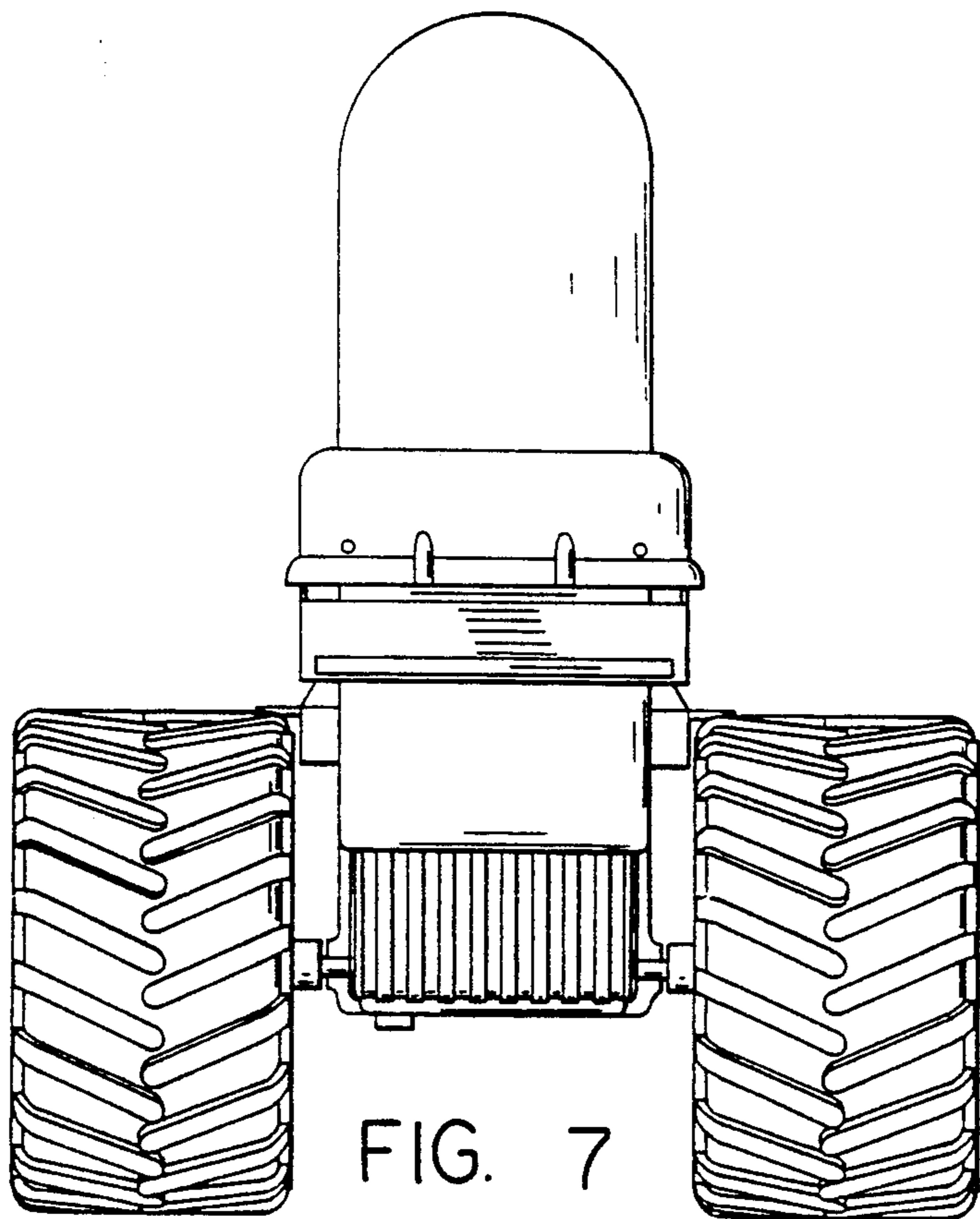


FIG. 7