



US00D326682S

United States Patent [19]

[11] Patent Number: Des. 326,682

Kimura

[45] Date of Patent: ** Jun. 2, 1992

[54] MARKING PEN

[75] Inventor: Shigeru Kimura, Tokyo, Japan

[73] Assignee: Tombow Pencil Co., Ltd., Tokyo, Japan

[**] Term: 14 Years

[21] Appl. No.: 574,611

[22] Filed: Aug. 28, 1990

[52] U.S. Cl. D19/42; D19/43; D19/57; D27/141; D27/146; D27/157

[58] Field of Search D19/35, 36, 41-51, D19/54-58, 81-85; D27/139-161; 401/6, 7, 8, 88, 196, 198

[56] **References Cited**

U.S. PATENT DOCUMENTS

| | | | | |
|------------|---------|-----------------|-------|----------|
| D. 170,767 | 11/1953 | Polk | | D27/142 |
| D. 229,446 | 11/1973 | Dahl | | D19/43 X |
| D. 251,198 | 2/1979 | Horvath | | D27/146 |
| D. 276,479 | 11/1984 | Mori | | D19/43 X |
| D. 284,290 | 6/1986 | Concilio et al. | | D19/36 |
| D. 303,124 | 8/1989 | Li | | D19/43 X |

| | | | | |
|------------|--------|----------|-------|---------|
| D. 309,913 | 8/1990 | Shintani | | D19/43 |
| D. 314,590 | 2/1991 | Molina | | D19/42 |
| D. 314,837 | 2/1991 | Nitta | | D27/154 |
| 4,728,212 | 3/1988 | Spector | | 401/88 |

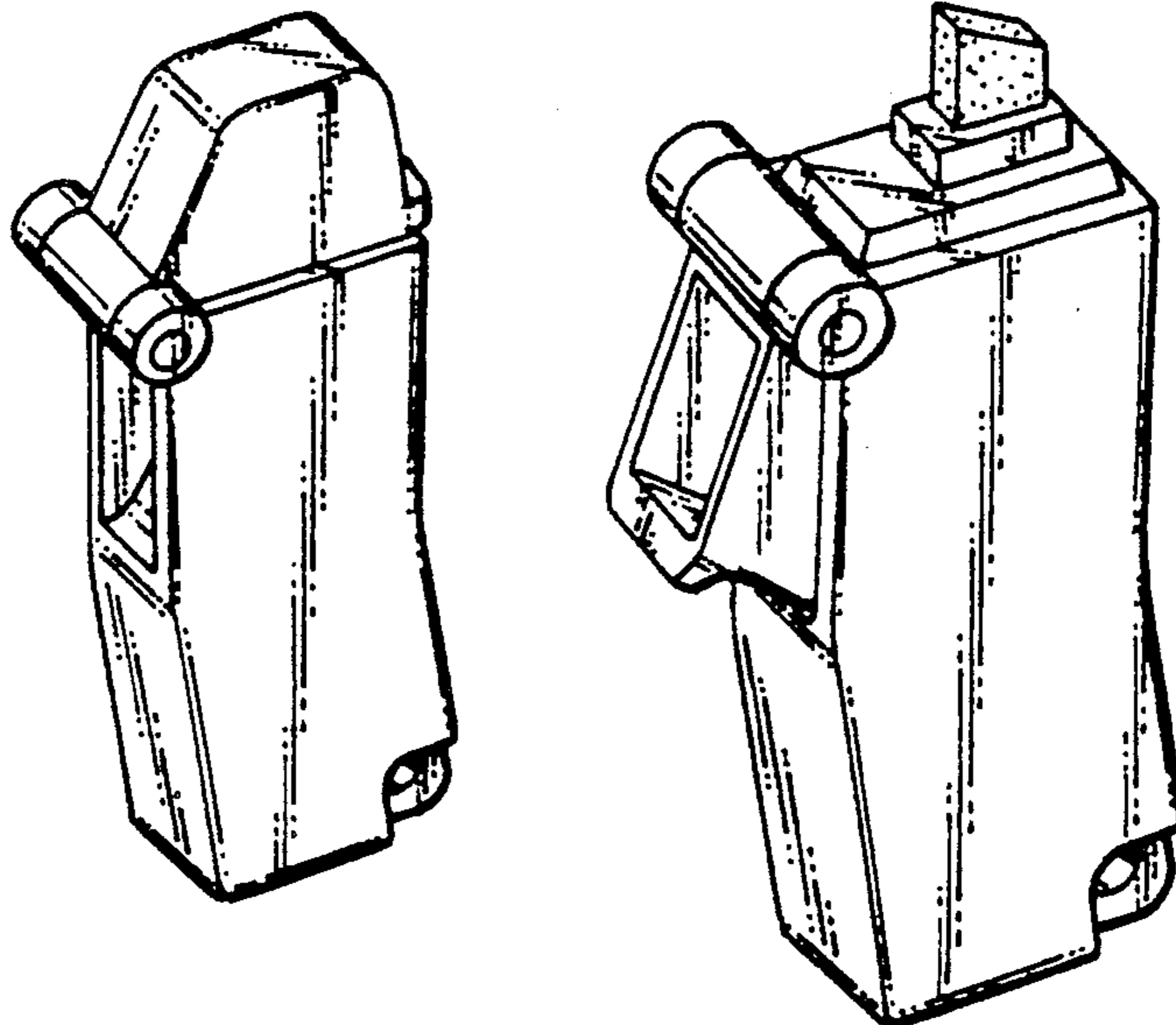
Primary Examiner—Donald P. Walsh
Assistant Examiner—Martha Thompson
Attorney, Agent, or Firm—Townsend and Townsend

[57] **CLAIM**

The ornamental design for a marking pen, as shown and described.

DESCRIPTION

FIG. 1 is a top, left rear perspective view of a marking pen showing my new design;
FIG. 2 is a top plan view;
FIG. 3 is a front elevational view;
FIG. 4 is a right side elevational view, the left side being a mirror image thereof;
FIG. 5 is a rear elevational view;
FIG. 6 is a bottom plan view; and
FIG. 7 is a top, left rear perspective view with the cap member in an opened position.
The FIG. 1 view has been drawn to a reduced scale with respect to FIGS. 2 through 7.



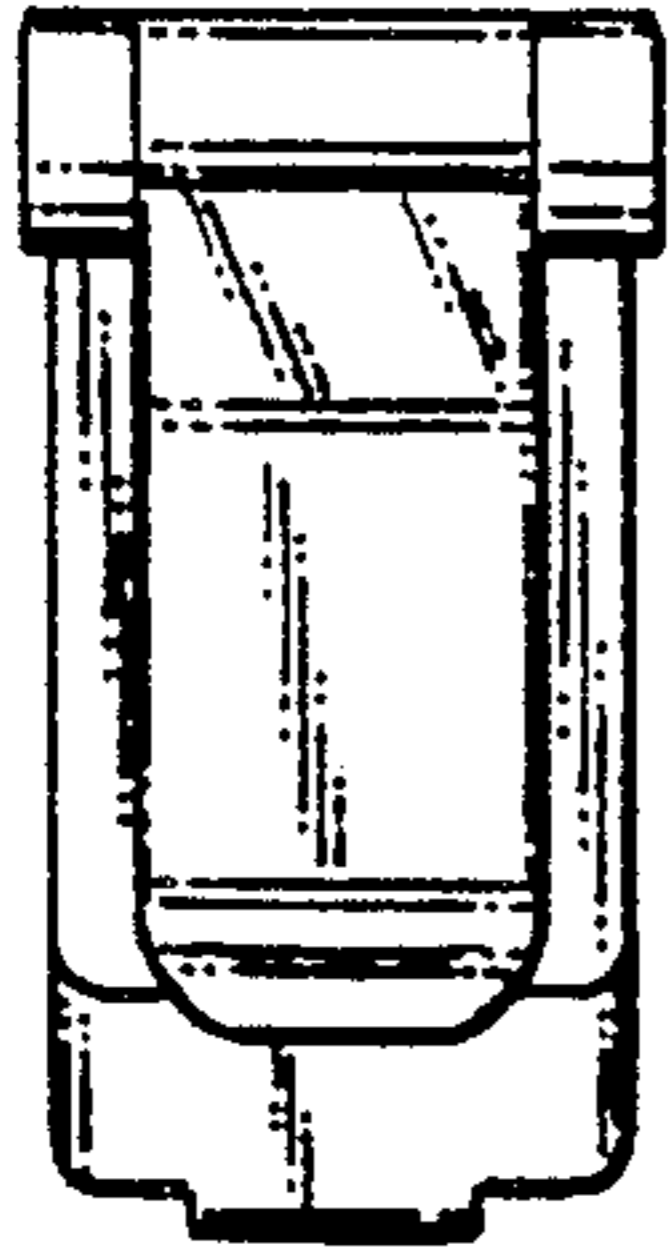


FIG. 2.

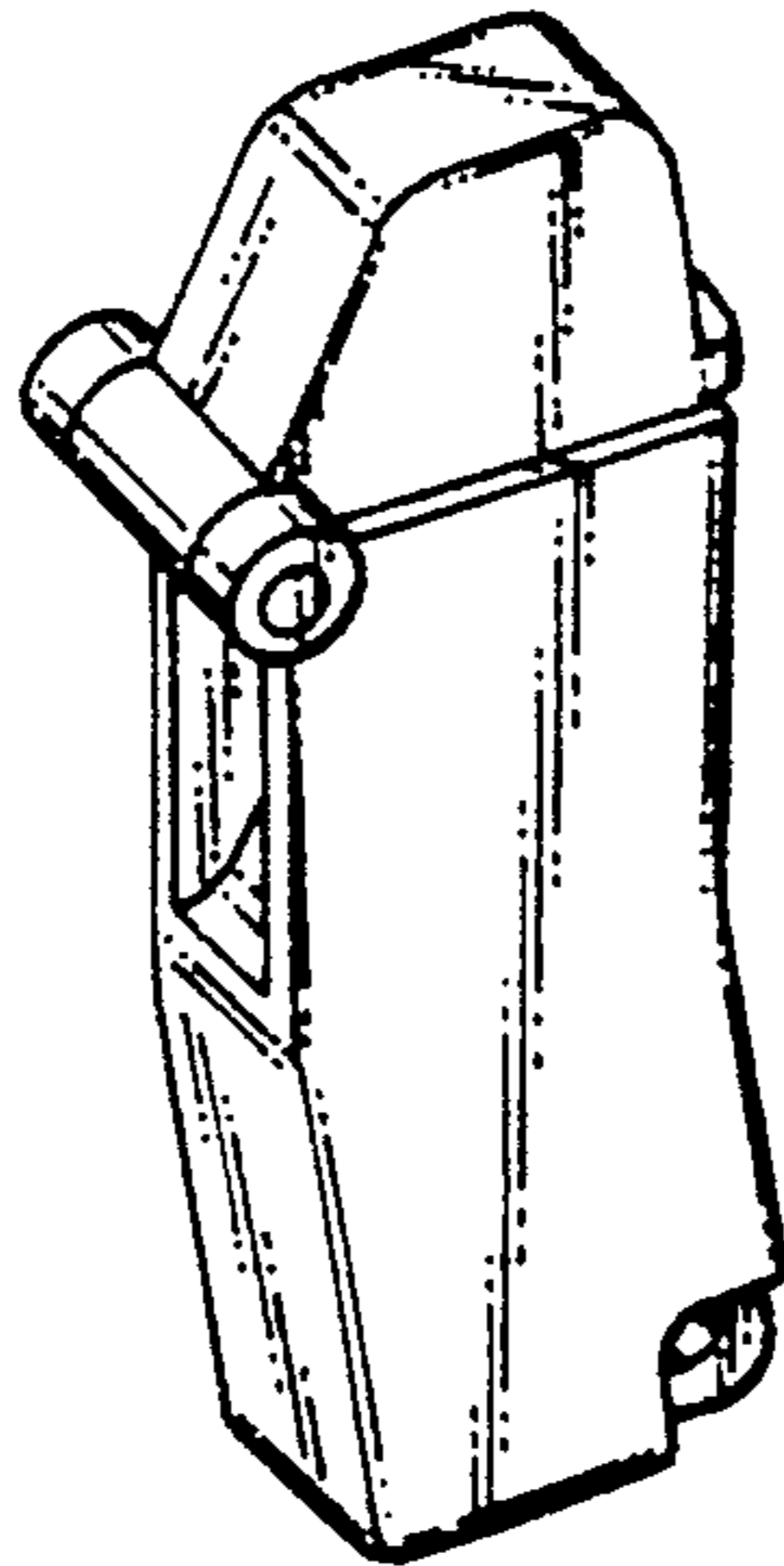


FIG. 1.

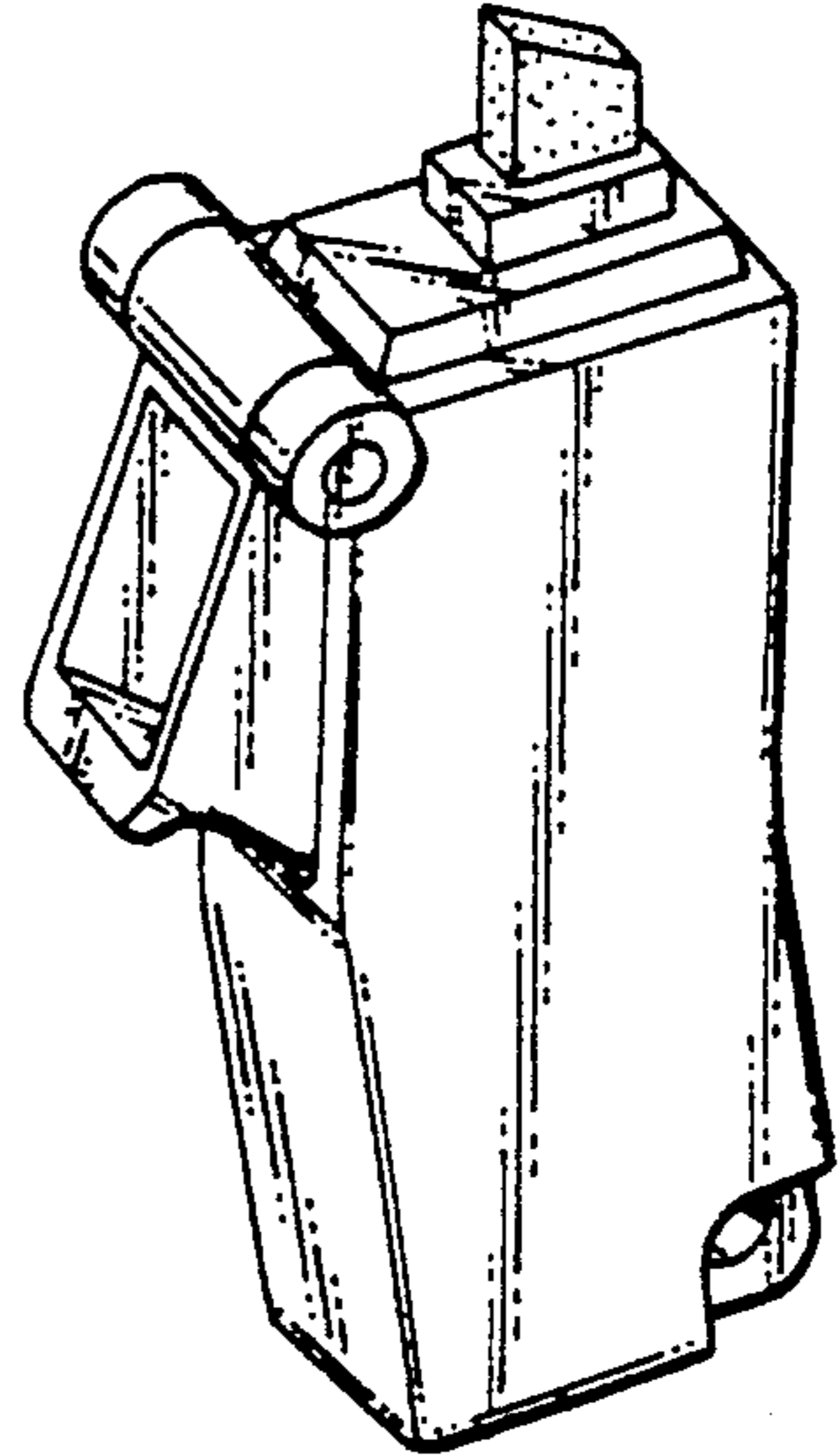


FIG. 7.

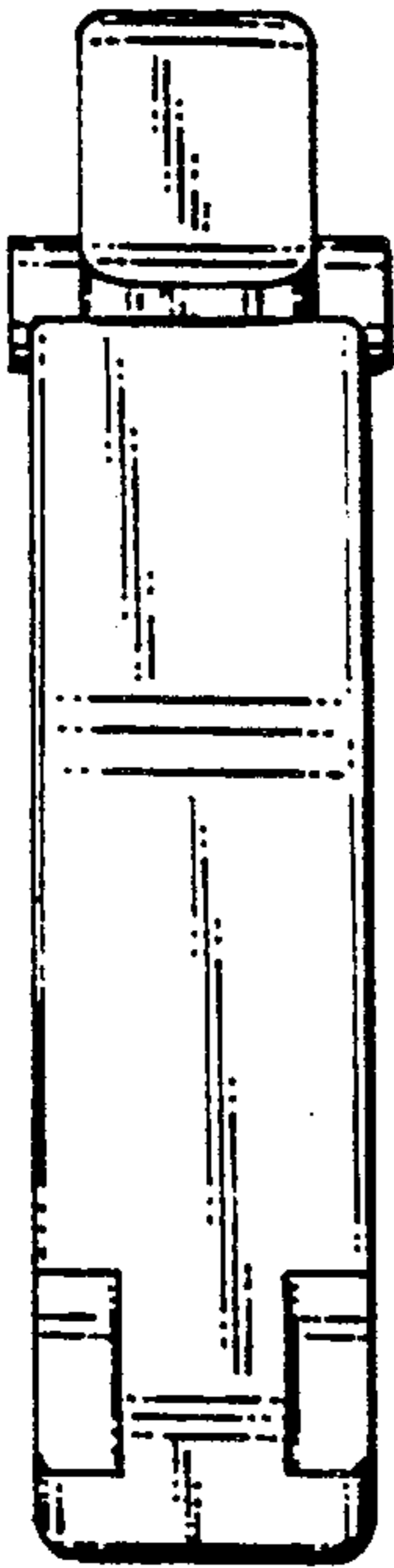


FIG. 3.

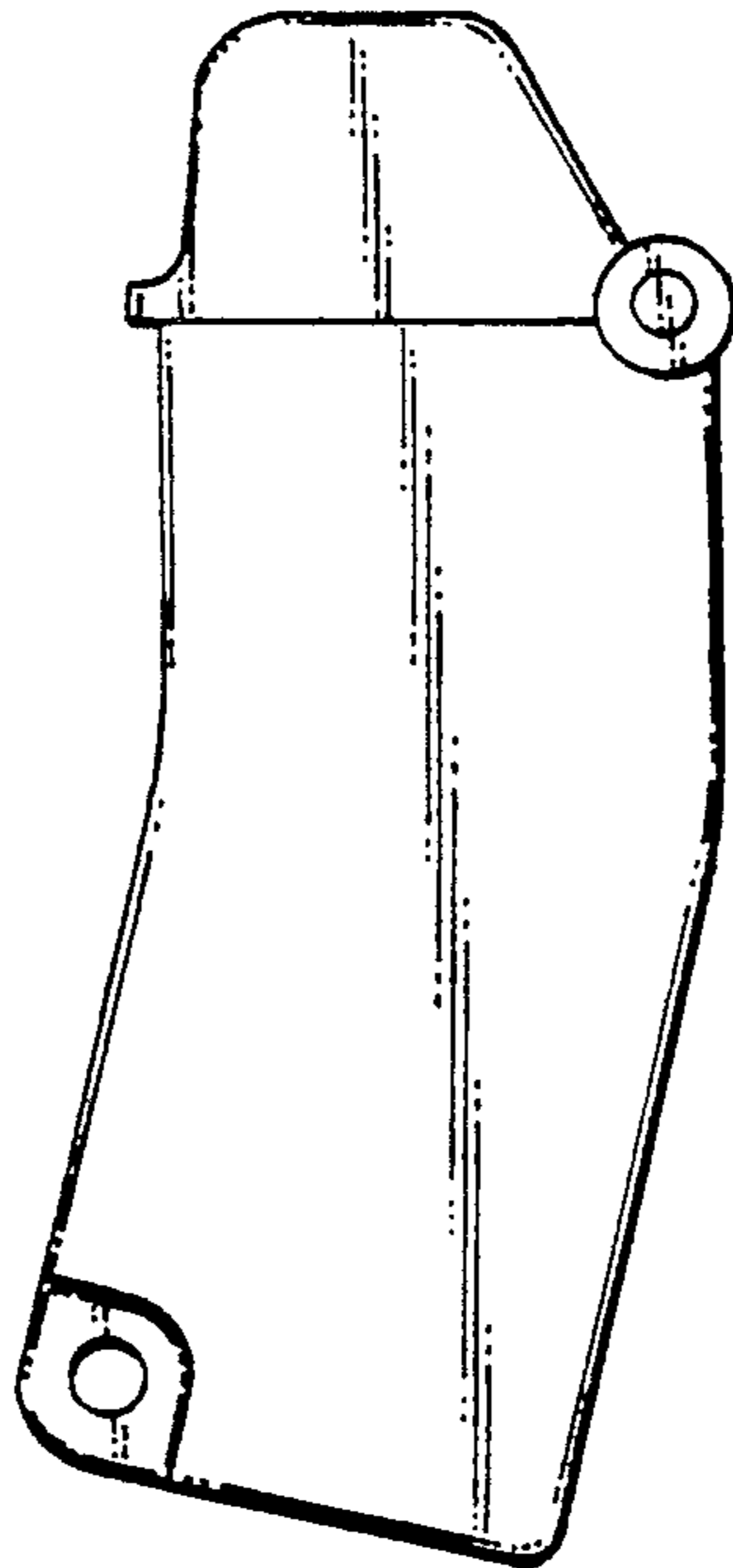


FIG. 4.

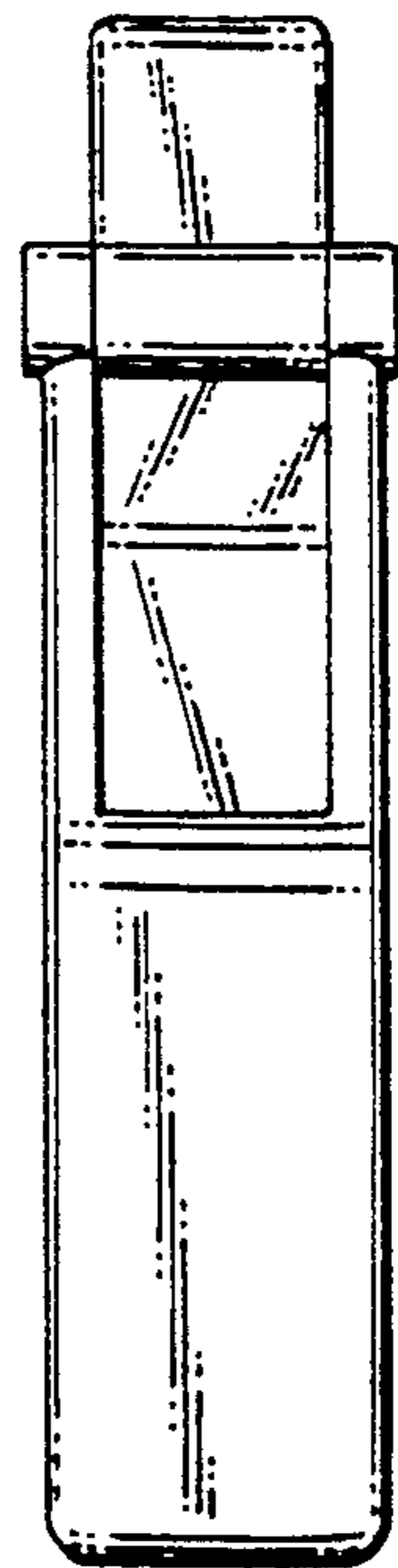


FIG. 5.

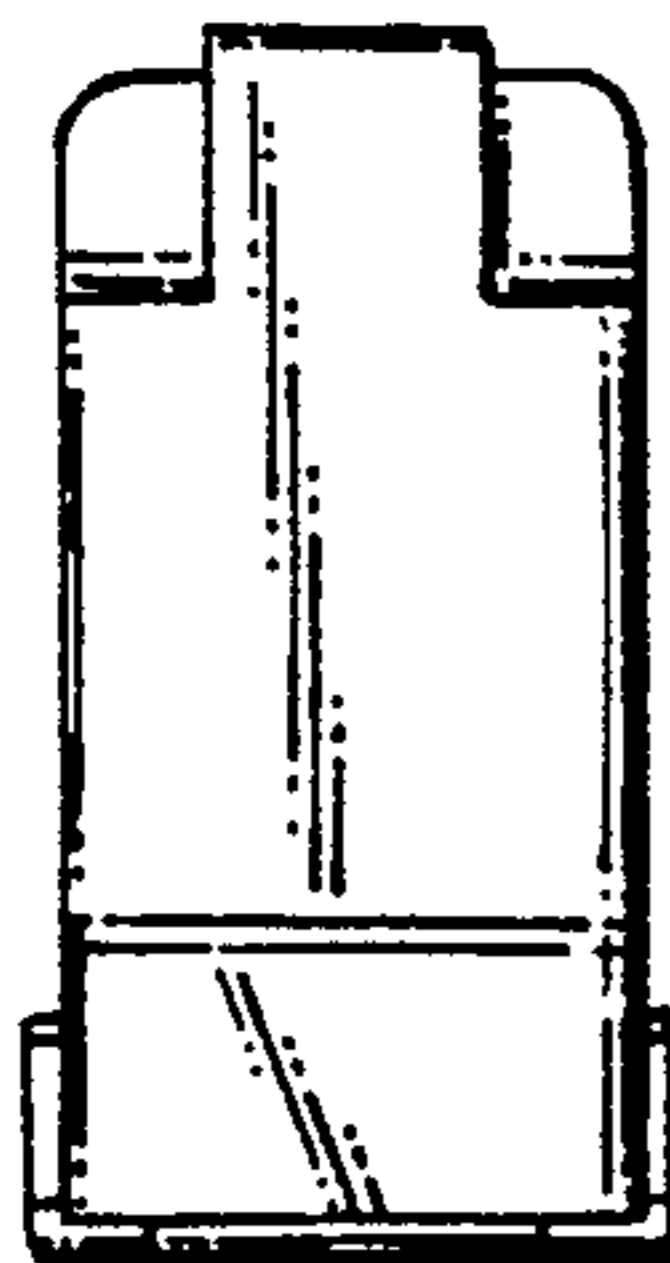


FIG. 6.