



US00D326678S

United States Patent [19]

Uchibori et al.

[11] Patent Number: Des. 326,678

[45] Date of Patent: ** Jun. 2, 1992

[54] PRINTER FOR COMPUTER

[75] Inventors: Noritaka Uchibori; Hiromi Shishiuchi; Kenji Kazama, all of Nagano, Japan

[73] Assignee: Seiko Epson Corporation, Tokyo, Japan

[**] Term: 14 Years

[21] Appl. No.: 526,812

[22] Filed: May 22, 1990

[30] Foreign Application Priority Data

Dec. 8, 1989 [JP]	Japan	1-44745
[52] U.S. Cl.		D18/55
[58] Field of Search	101/9, 130, 420, 316, 101/18, 21, 28-29, 41-42, 287; 400/691-694, 613.1-613.4, 613, 624; D18/50, 53-55, 36-37; D14/118	

[56] References Cited

U.S. PATENT DOCUMENTS

D. 279,783	7/1985	Jordan et al.	D18/55
D. 301,485	6/1989	Kato et al.	D18/55
D. 310,096	8/1990	Heimbürger	D18/55
D. 315,361	3/1991	Kojima et al.	D18/55
4,976,559	12/1990	Inagaki	400/691

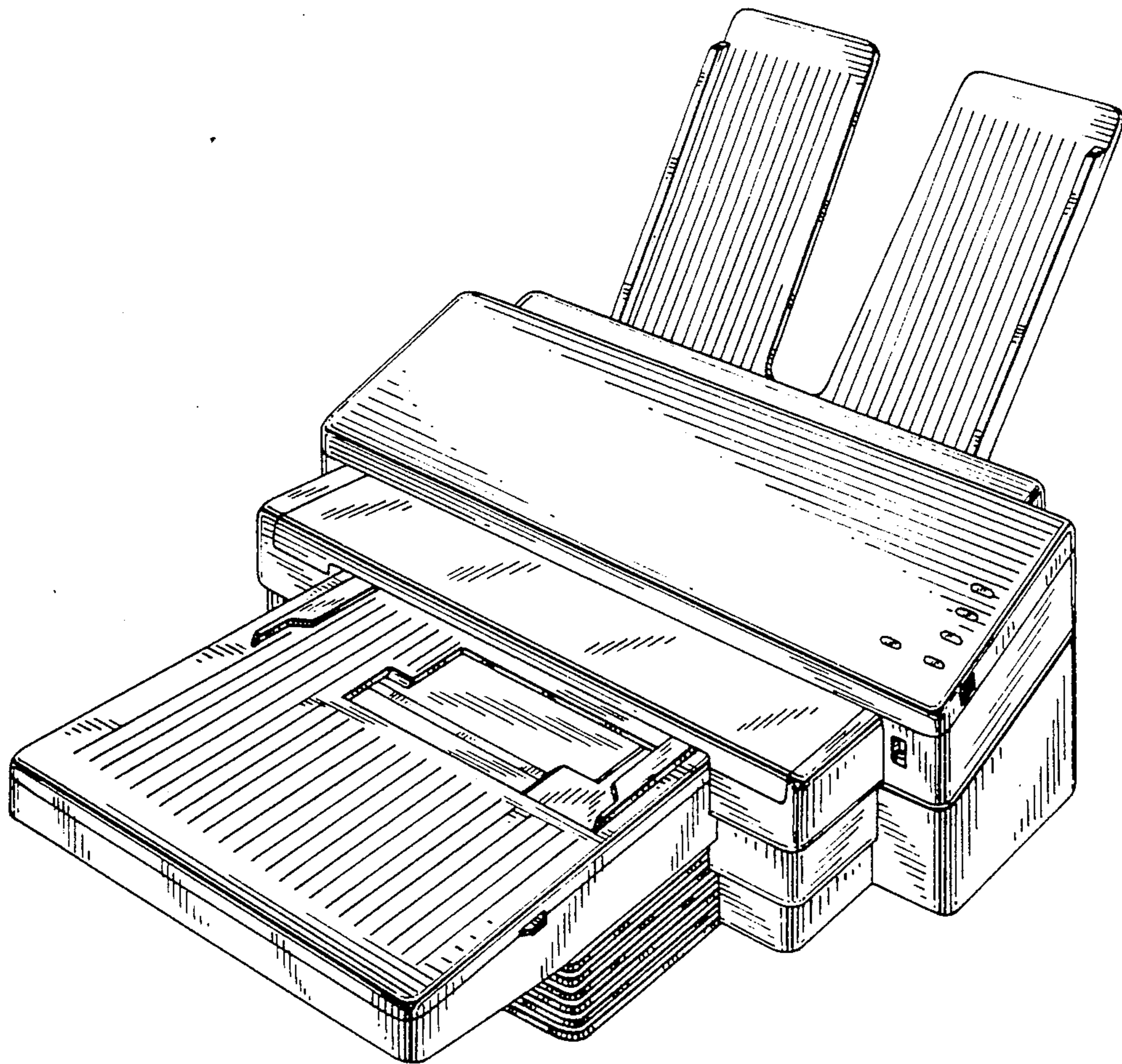
Primary Examiner—A. Hugo Word
 Assistant Examiner—Cathy Anne MacCormac
 Attorney, Agent, or Firm—Blum Kaplan

[57] CLAIM

The ornamental design for a printer for computer, as shown and described.

DESCRIPTION

FIG. 1 is a perspective view of the printer for computer showing our new design;
 FIG. 2 is a top plan view thereof;
 FIG. 3 is a front elevational view thereof;
 FIG. 4 is a left side elevational view thereof;
 FIG. 5 is a right side elevational view thereof;
 FIG. 6 is a bottom plan view thereof; and
 FIG. 7 is a rear elevational view thereof.



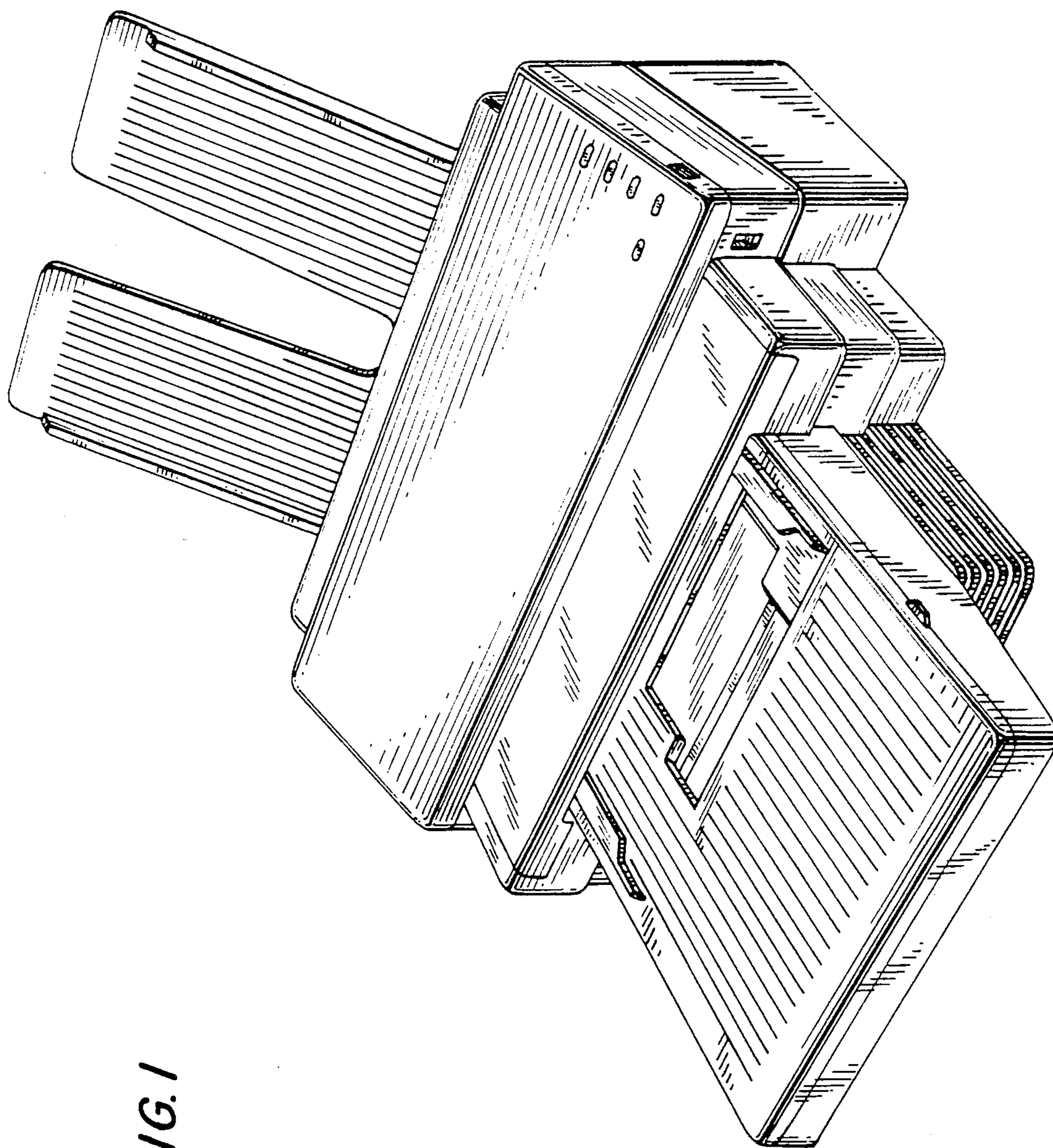


FIG. 1

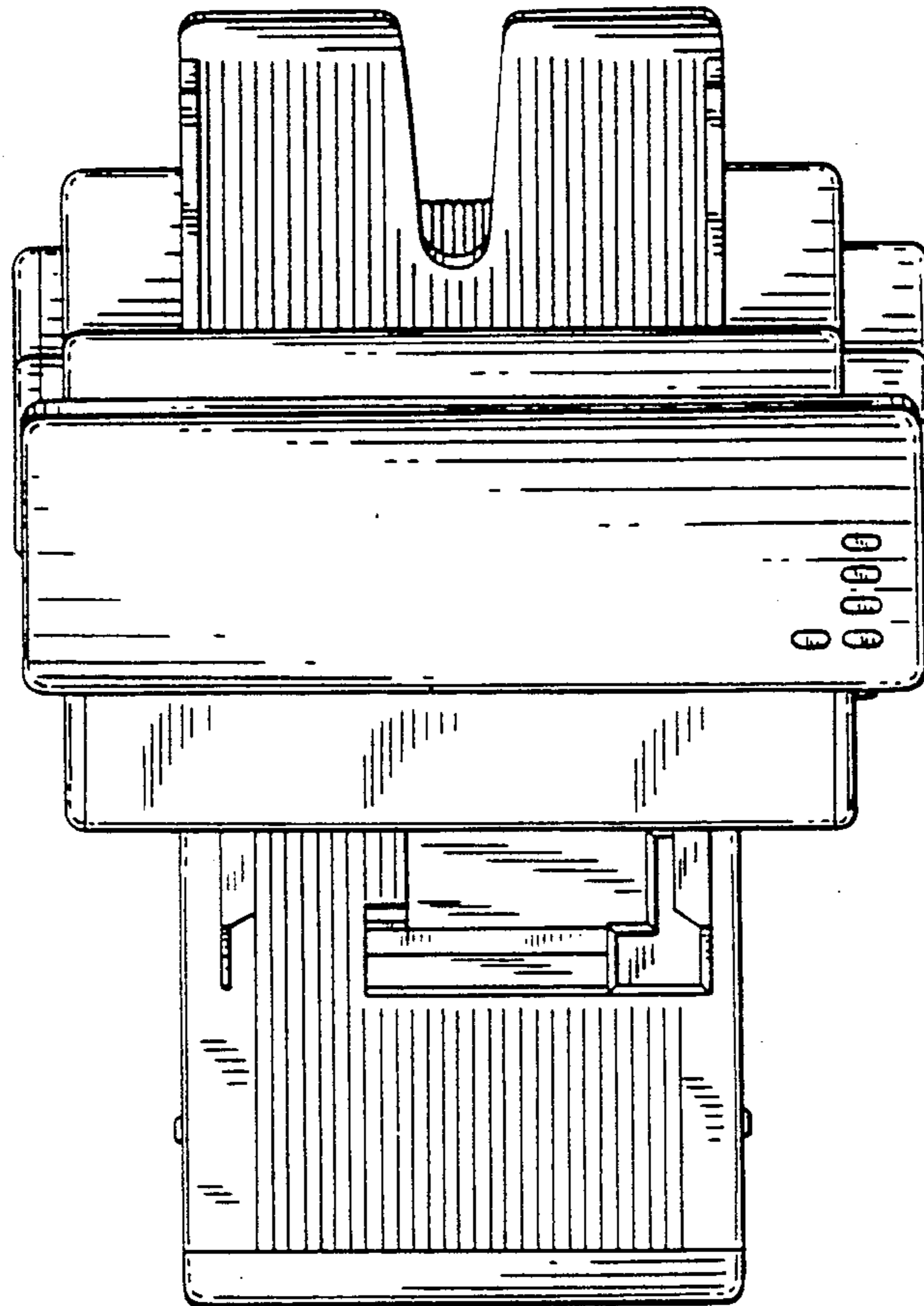


FIG. 2

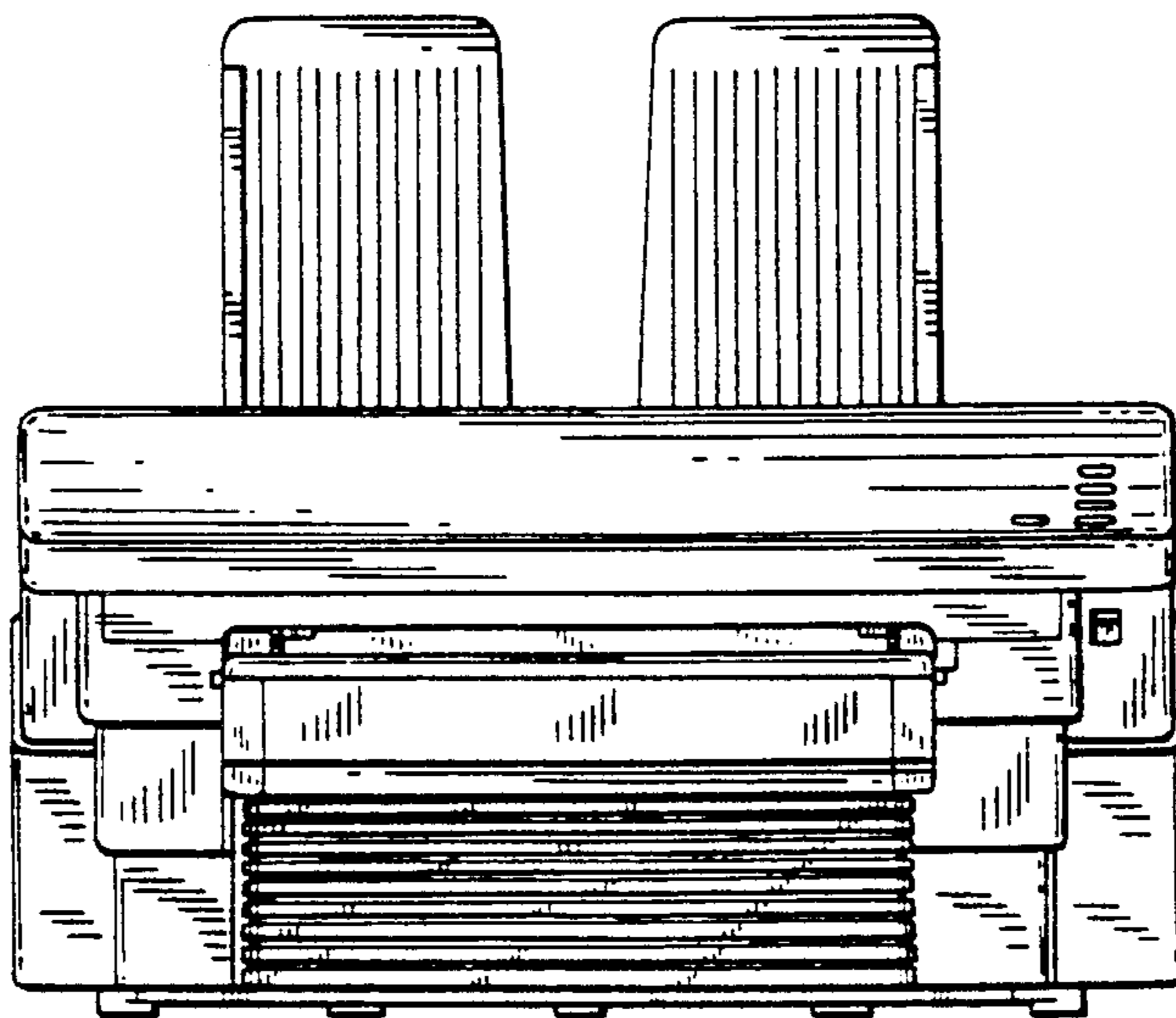


FIG. 3

FIG. 4

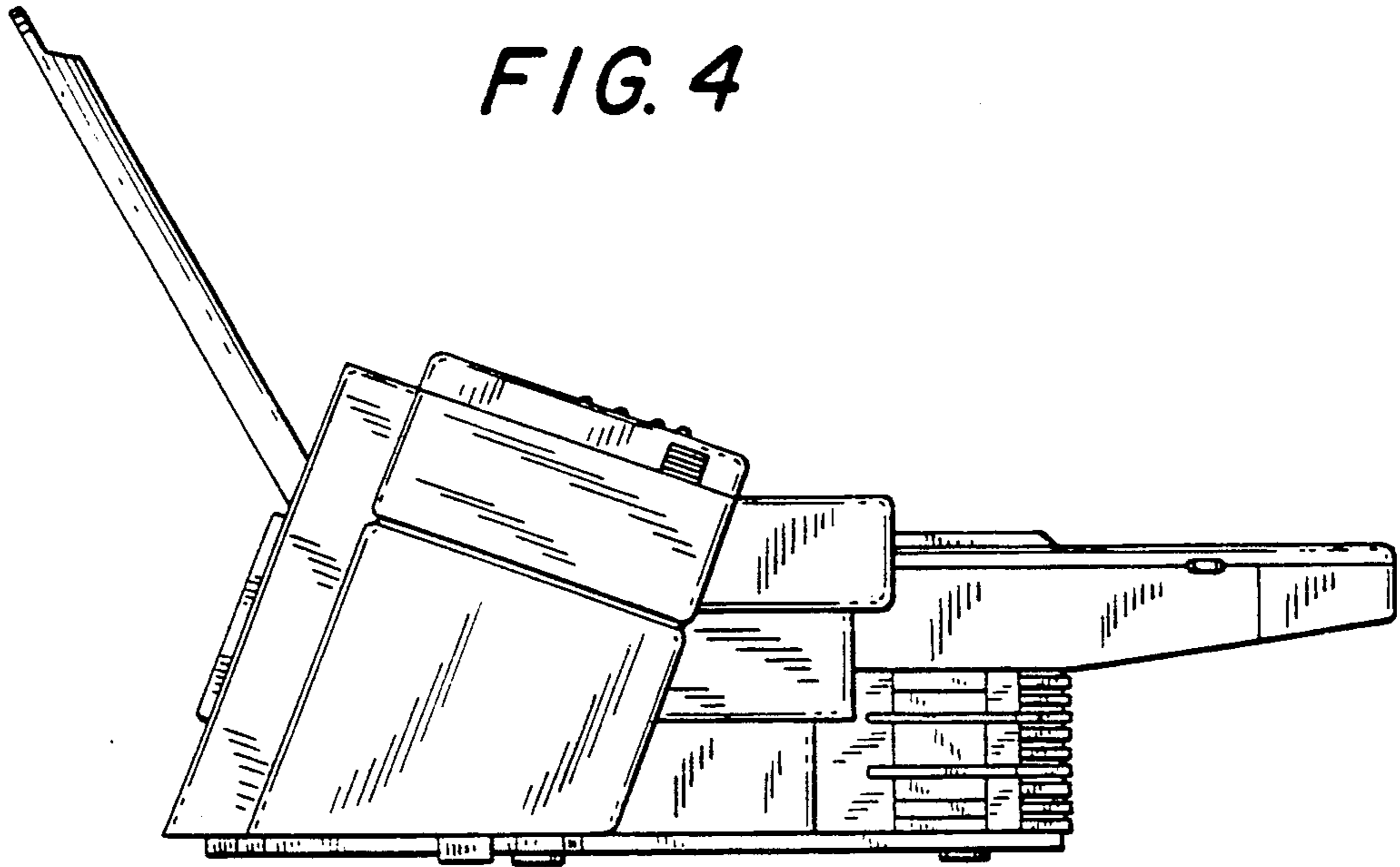


FIG. 5

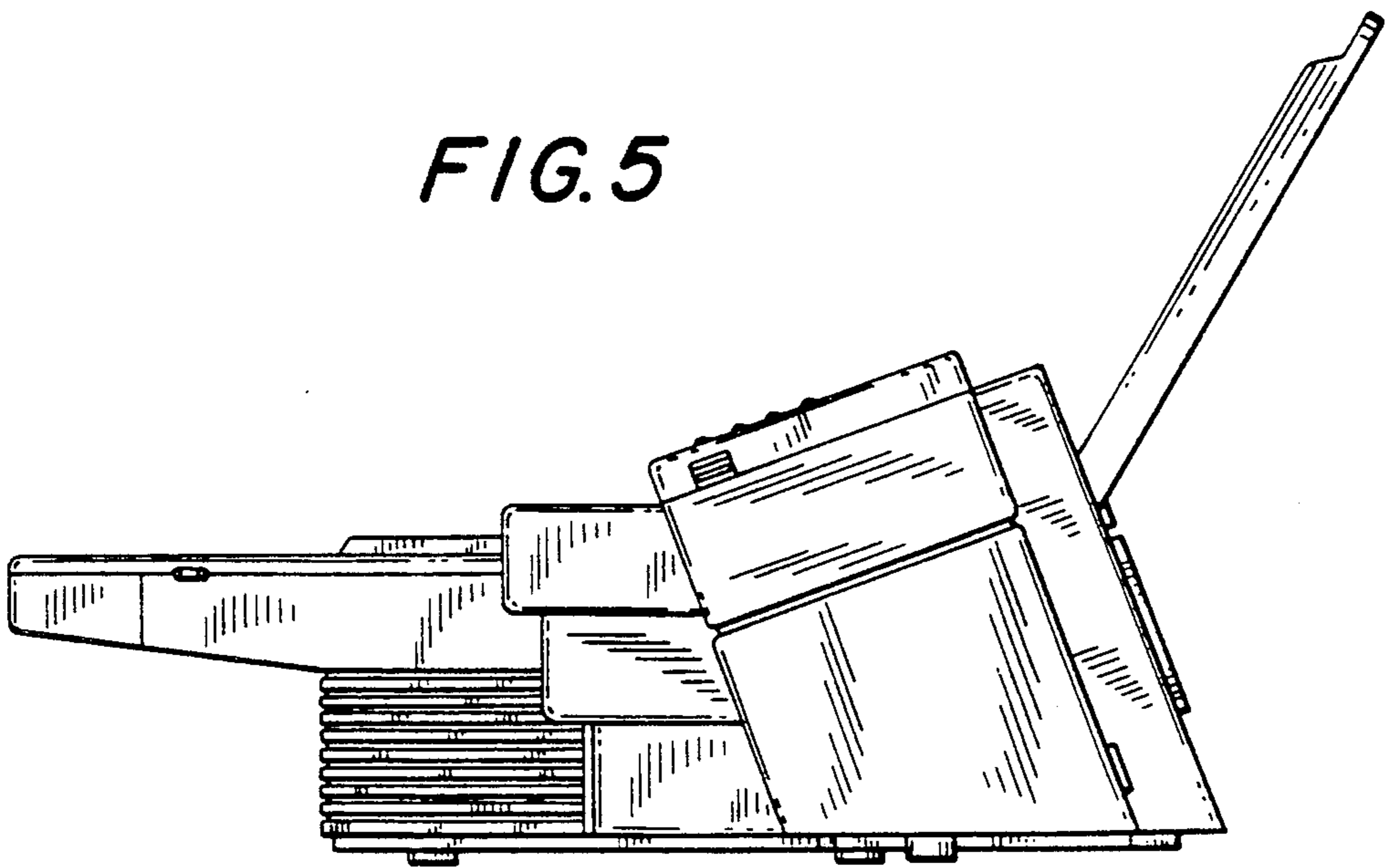


FIG. 6

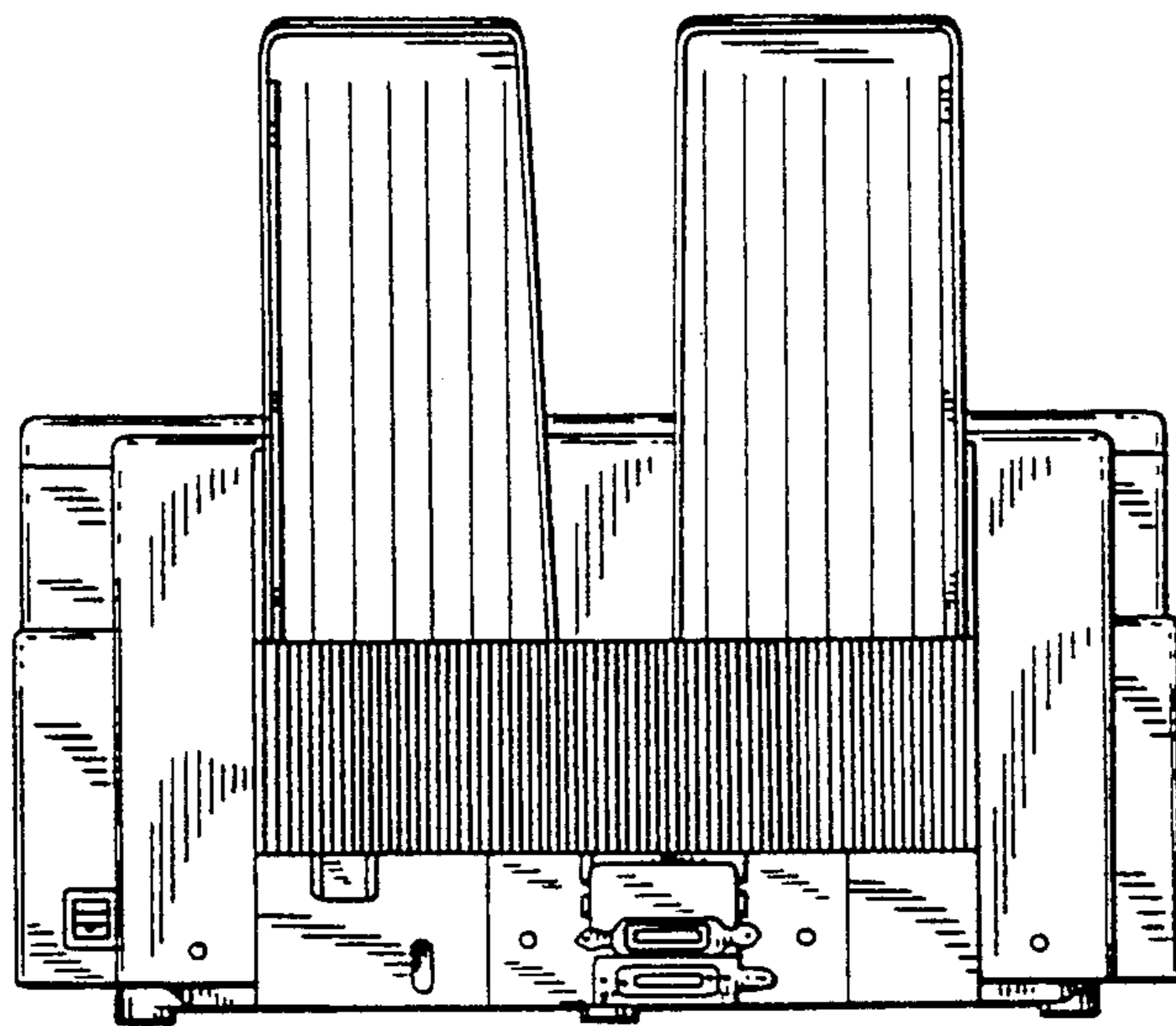
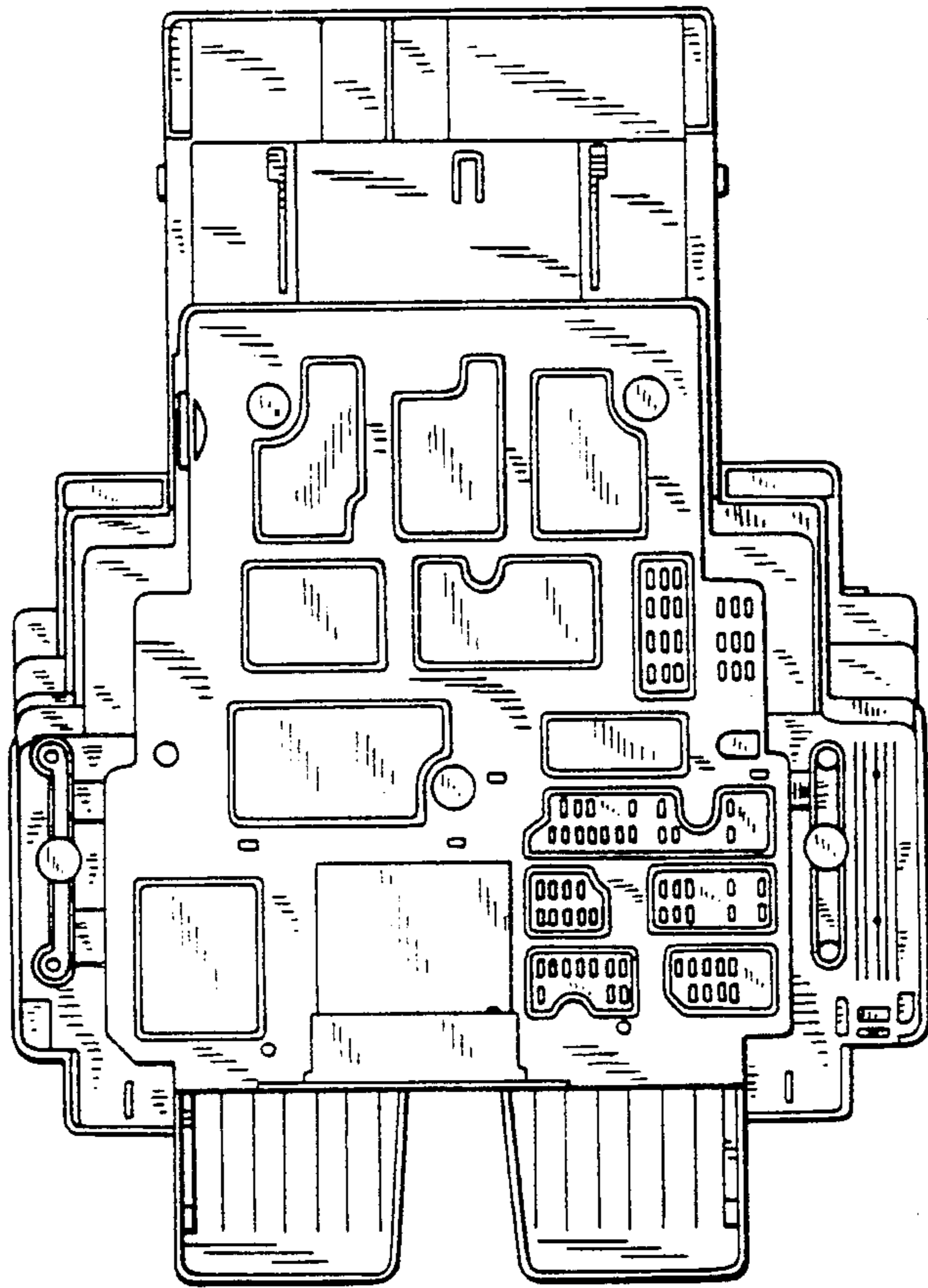


FIG. 7