



US00D326677S

United States Patent [19]

[11] Patent Number: **Des. 326,677**

Nobile et al.

[45] Date of Patent: **** Jun. 2, 1992**

[54] MAILING MACHINE BASE

[75] Inventors: **John R. Nobile**, Fairfield; **William A. Ross**, Darien, both of Conn.

[73] Assignee: **Pitney Bowes Inc.**, Stamford, Conn.

D. 257,153 9/1980 Woods et al. D18/13
 D. 314,787 2/1991 Gotham D18/36
 3,062,133 11/1962 Lundquist et al. 101/92
 3,935,429 1/1976 Branecky et al. 250/566 X
 4,923,023 5/1990 Dolan et al. 177/145 X
 4,956,782 9/1990 Freeman et al. 364/464.02 X

[**] Term: **14 Years**

Primary Examiner—Wallace R. Burke
Assistant Examiner—Freda S. Nunn
Attorney, Agent, or Firm—Donald P. Walker; David E. Pitchenik; Melvin J. Scolnick

[21] Appl. No.: **355,246**

[22] Filed: **May 19, 1989**

[52] U.S. Cl. **D18/51**

[58] Field of Search D18/13, 34, 32, 36;
 D14/110; D15/145, 199; 361/390-395, 331,
 380, 381; 250/566; 209/509, 583, 584, 608, 610,
 613, 546, 548, 900; 271/278, 280, 35; 177/4, 15,
 25, 145; 101/76, 91, 92; 364/464.02, 900;
 371/32; 156/442.1, 442.2, 441.5; 239/44, 283;
 248/221.3, 221.4; 400/661.3

[57] CLAIM

The ornamental design for a mailing machine base, as shown and described.

DESCRIPTION

FIG. 1 is a front elevational view of a mailing machine base showing our new design;
 FIG. 2 is an enlarged top plan view thereof;
 FIG. 3 is a right side elevational view thereof;
 FIG. 4 is a left side elevational view thereof;
 FIG. 5 is a rear side elevational view thereof; and,
 FIG. 6 is a top front side perspective view thereof.

[56] References Cited

U.S. PATENT DOCUMENTS

D. 243,712 3/1977 Morris et al. D18/13

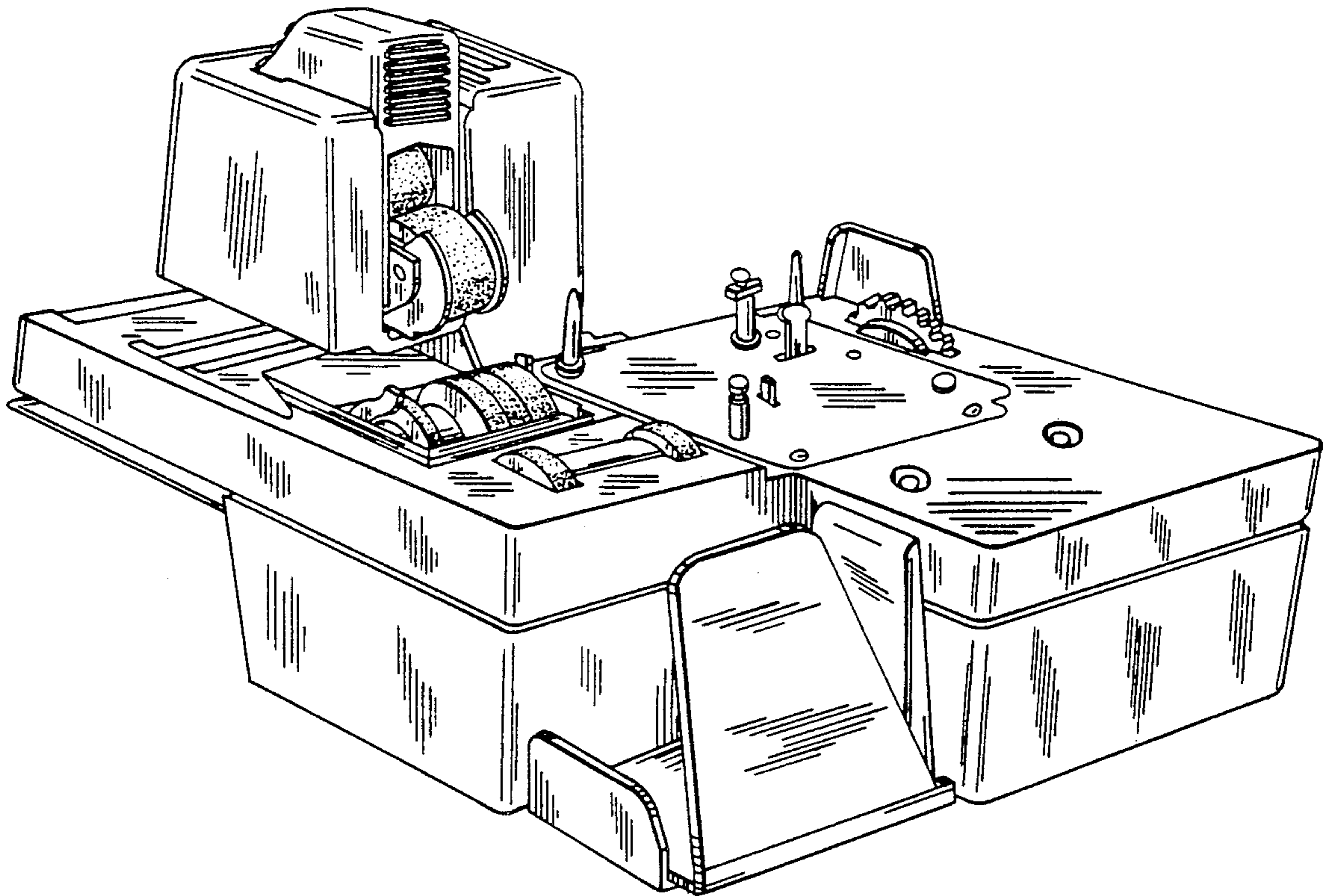
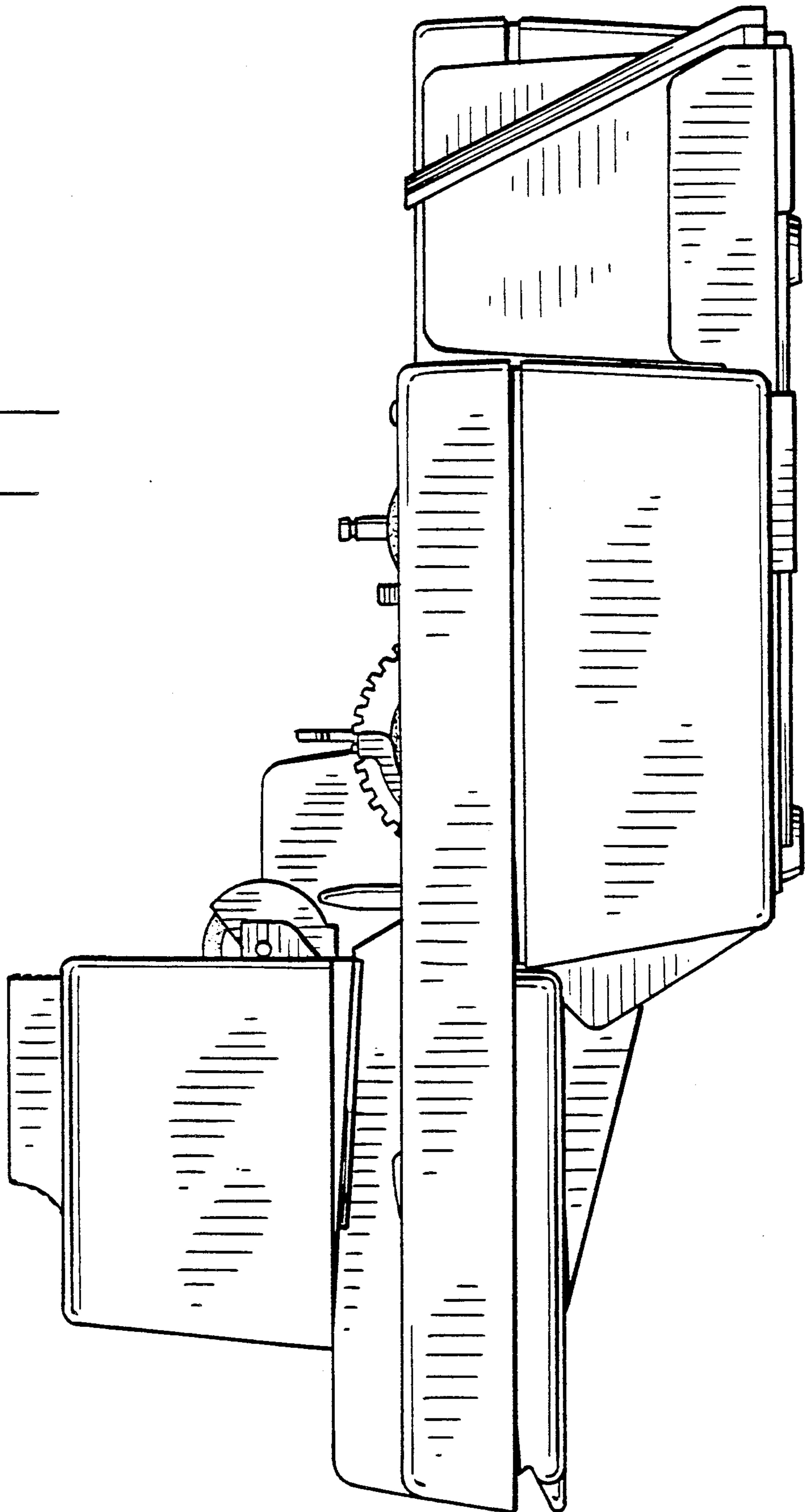


Fig. 1.



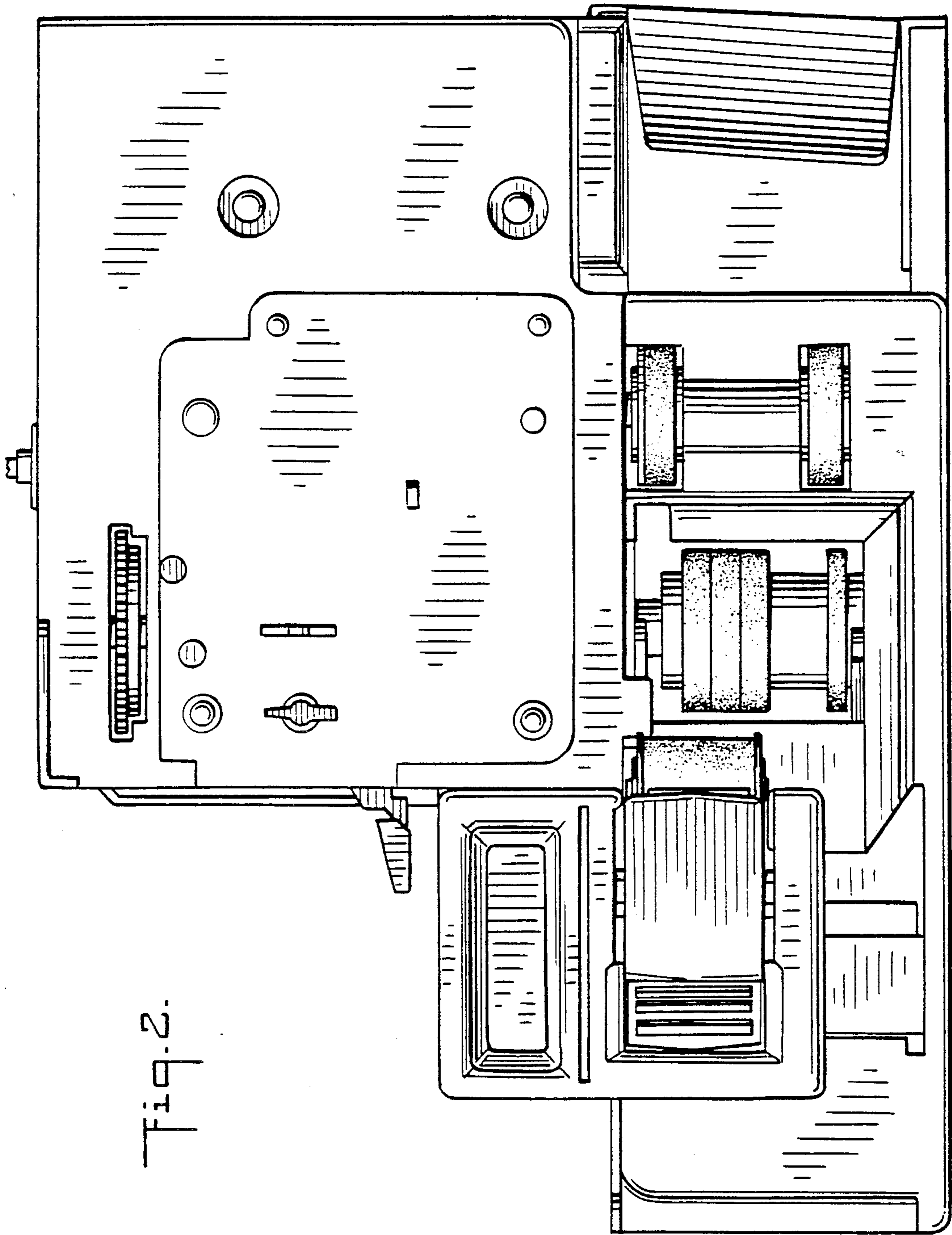


Fig. 2.

Fig. 3.

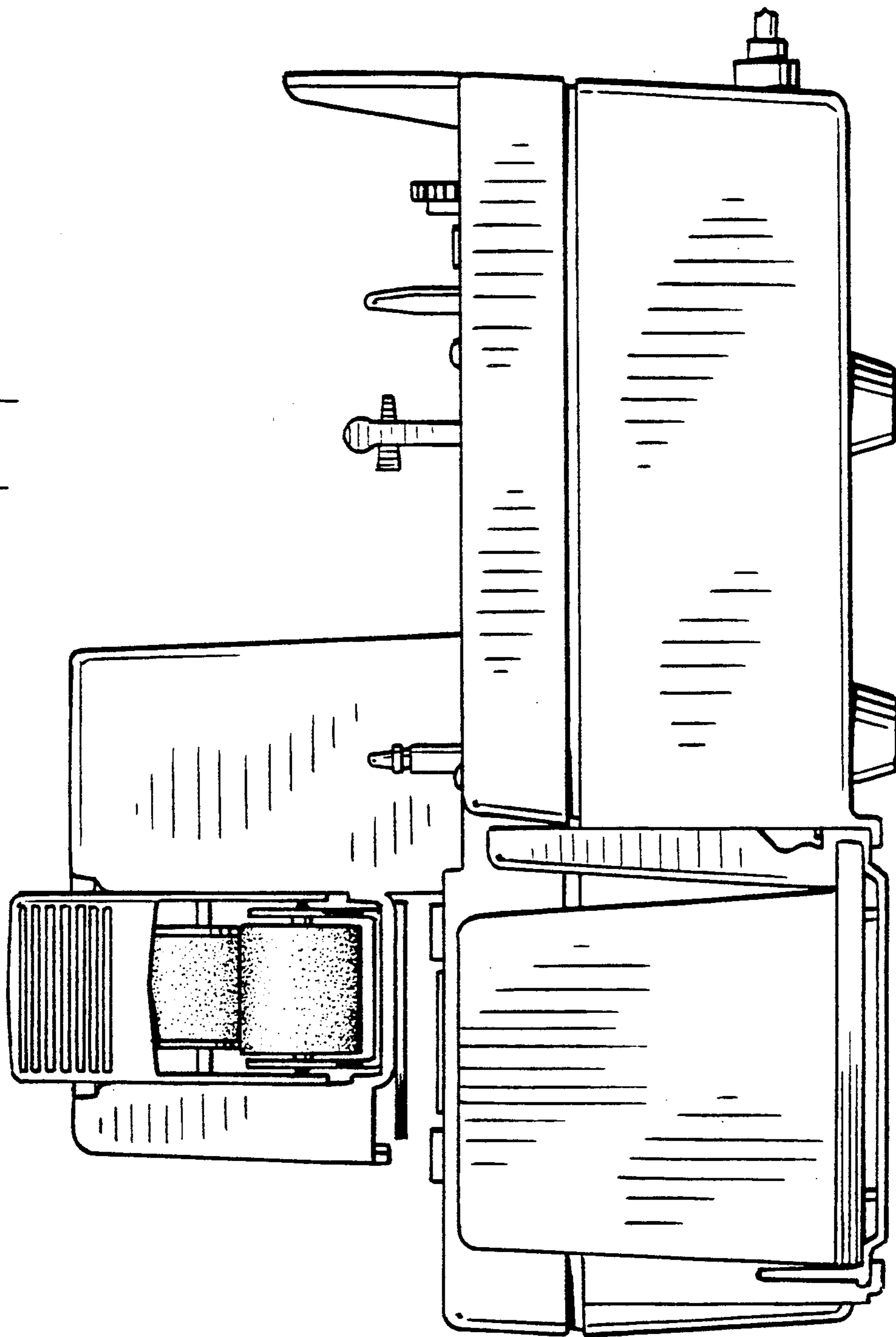
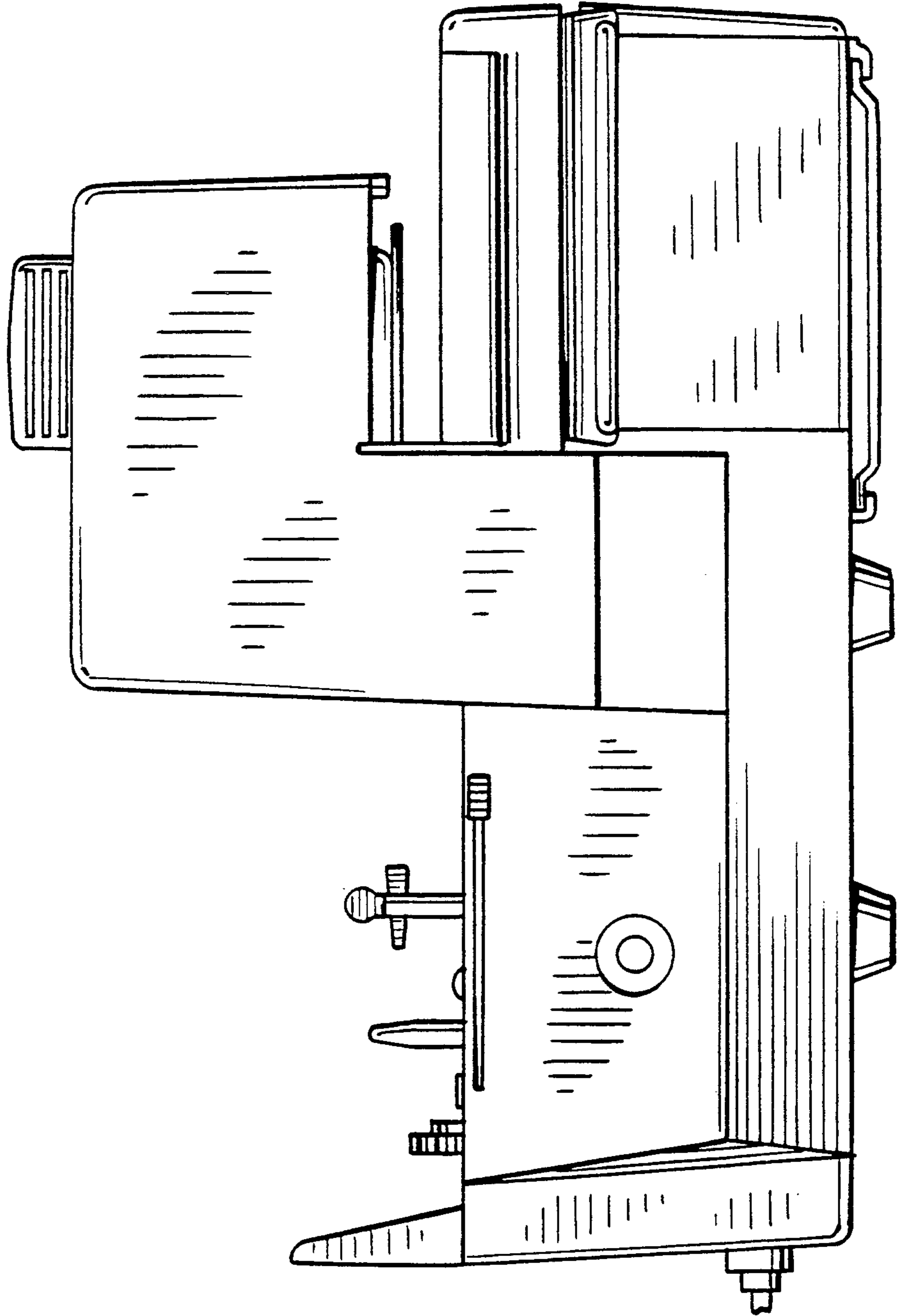


Fig. 4.



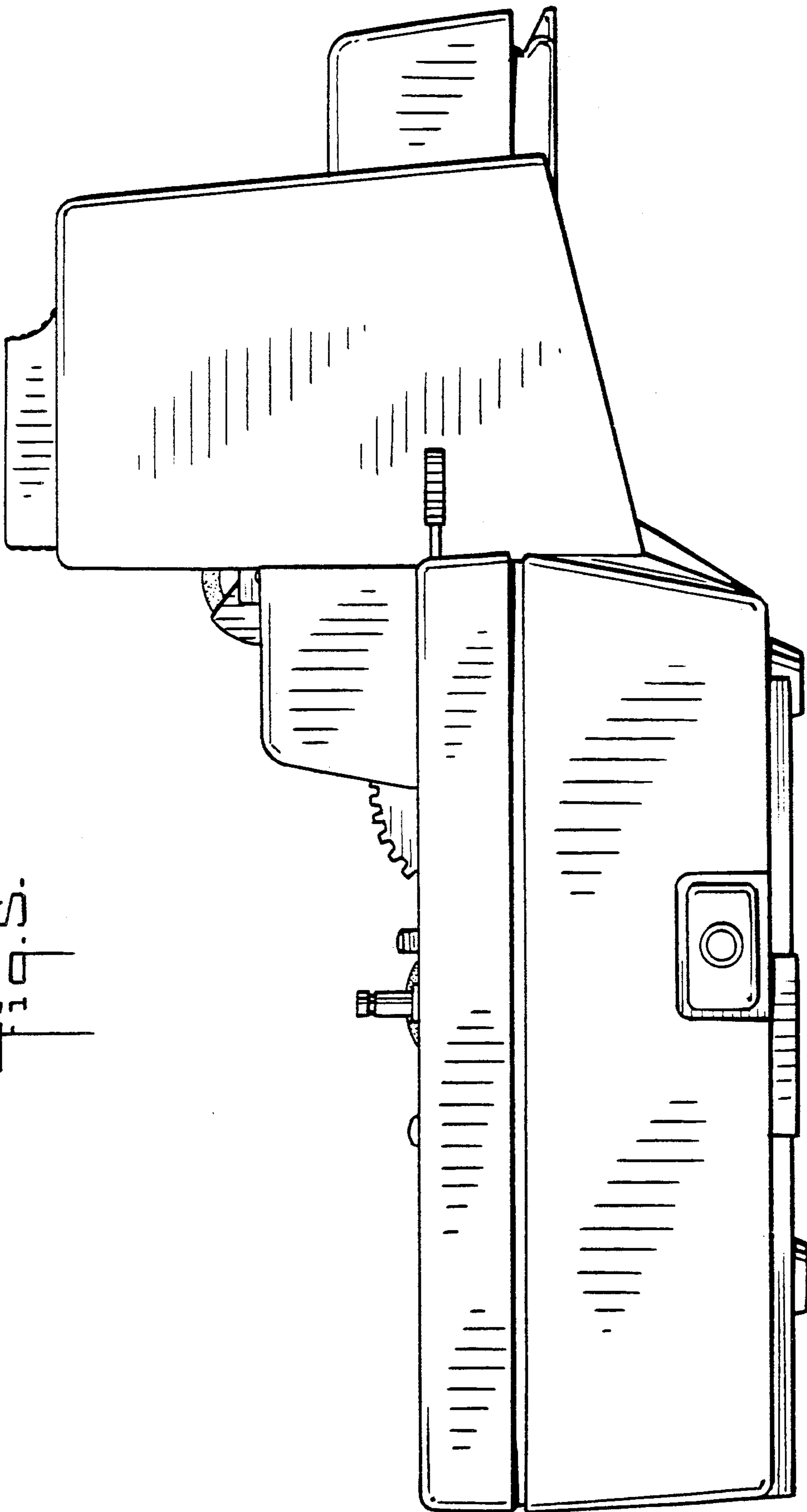


Fig. 5.

FIG. 6

