



US00D326671S

United States Patent [19] Schulz

[11] Patent Number: **Des. 326,671**
[45] Date of Patent: **** Jun. 2, 1992**

[54] **SACK CLOSING INSTRUMENT**

[76] Inventor: **Roland Schulz**, Brugwal 11,
Nieuwegein, Netherlands

[**] Term: **14 Years**

[21] Appl. No.: **412,386**

[22] Filed: **Sep. 26, 1989**

[30] **Foreign Application Priority Data**

Mar. 31, 1989 [XB] Benelux 64224-01

[52] U.S. Cl. **D15/145**

[58] Field of Search D15/145; 53/138.5, 375.4

[56] **References Cited**

U.S. PATENT DOCUMENTS

D. 230,504	2/1974	Gentry et al.	D15/145
D. 248,399	7/1978	Dobson et al.	D15/146
D. 266,328	9/1982	Fleshman	D15/146 X
2,378,920	6/1945	Gillican	53/138.5 X
2,673,016	3/1954	Gerbe	D15/145 X

2,777,408	1/1957	Beck	53/138.5 X
3,691,968	9/1972	Schnepf	53/375.4 X
4,166,348	9/1979	Carlson	D15/145 X

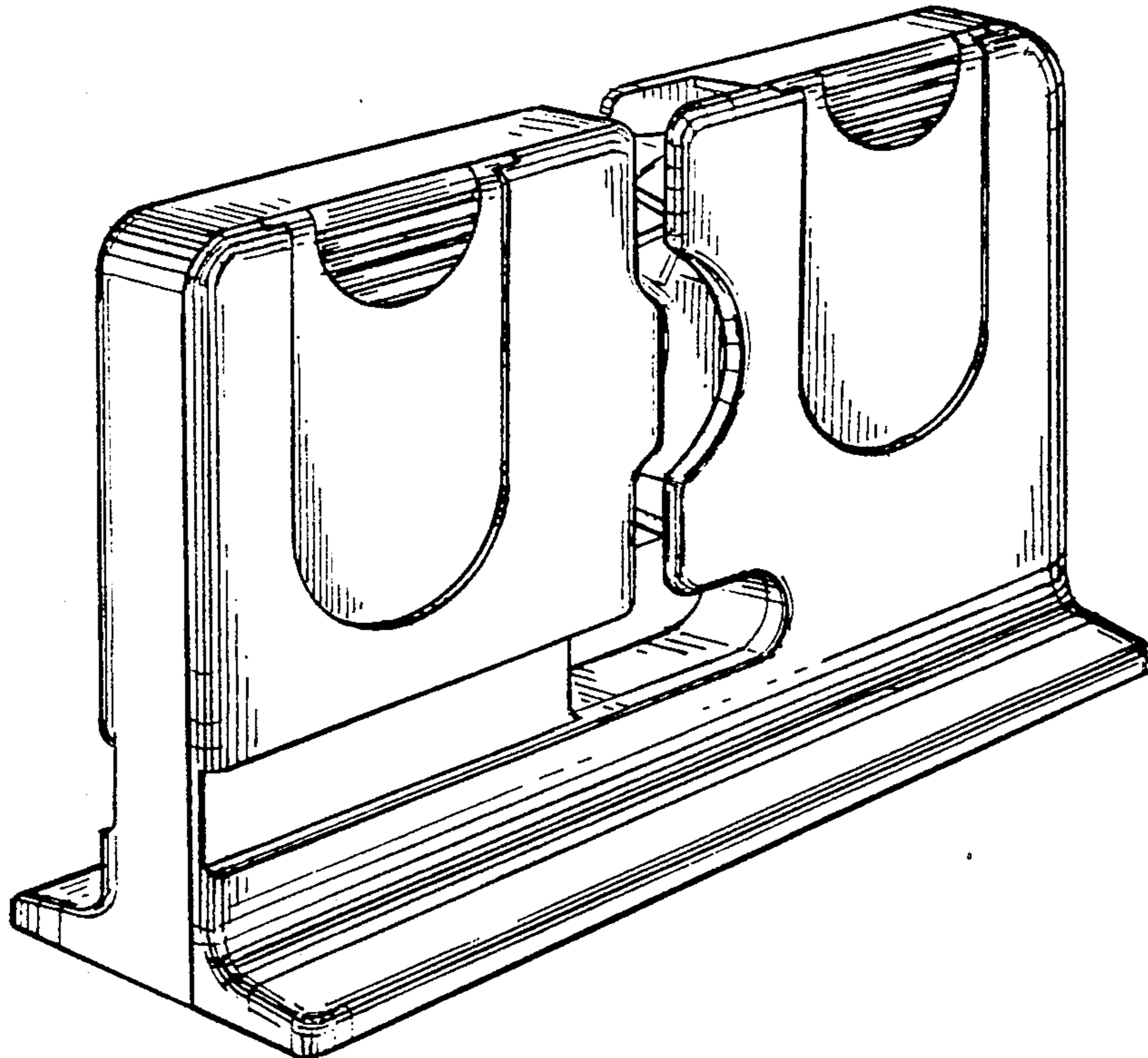
Primary Examiner—Bruce W. Dunkins
Assistant Examiner—Antoine D. Davis
Attorney, Agent, or Firm—Hill, Van Santen, Steadman & Simpson

[57] **CLAIM**

The ornamental design for a sack closing instrument, as shown.

DESCRIPTION

FIG. 1 is a top, front and left side perspective view of a sack closing instrument showing my new design; FIG. 2 is a top, rear and left side perspective view; FIG. 3 is a top plan view; FIG. 4 is a front elevational view; FIG. 5 is a bottom plan view; FIG. 6 is a left side elevational view; FIG. 7 is a right side elevational view; and, FIG. 8 is a rear elevational view thereof.



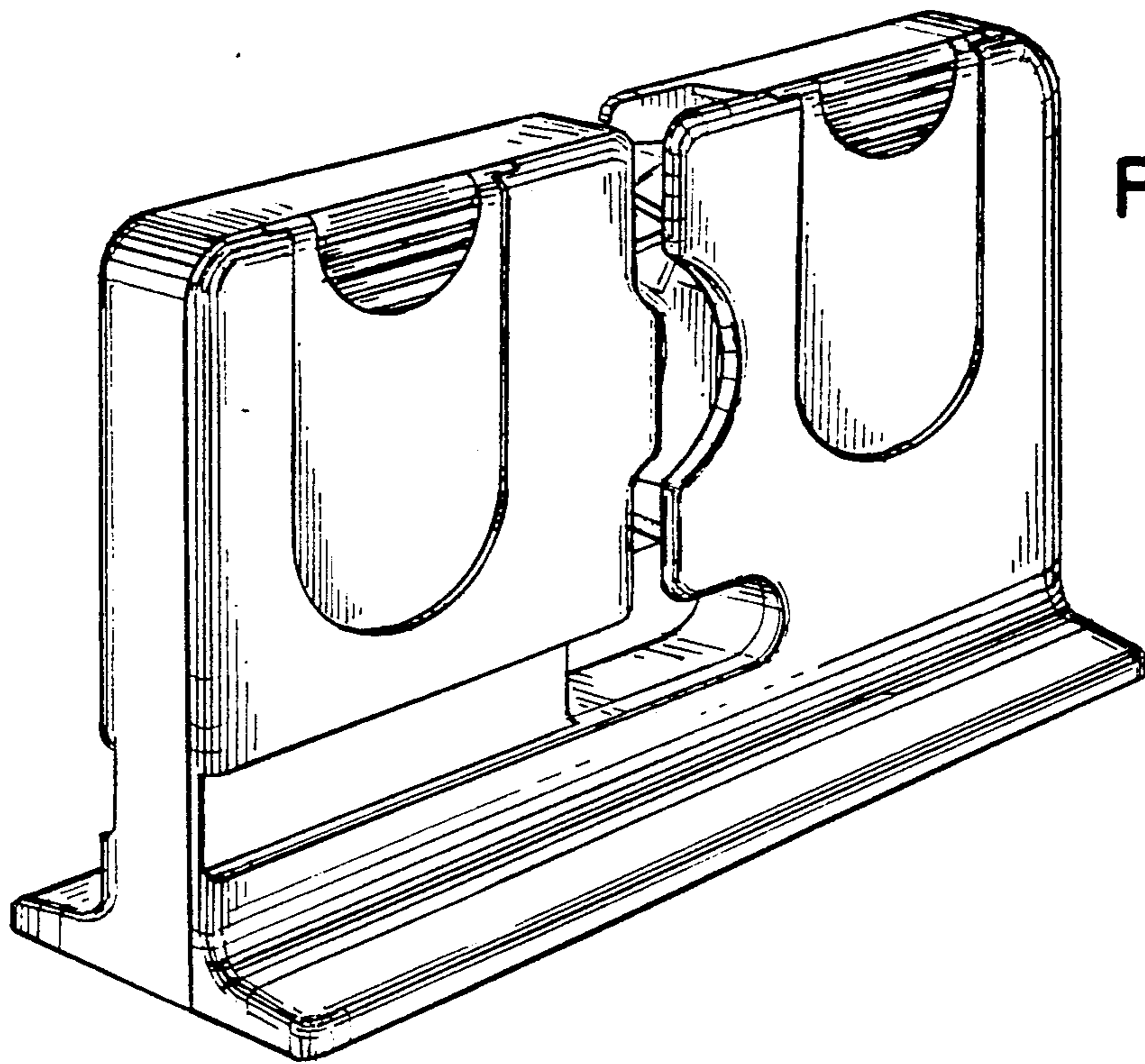


FIG. 1

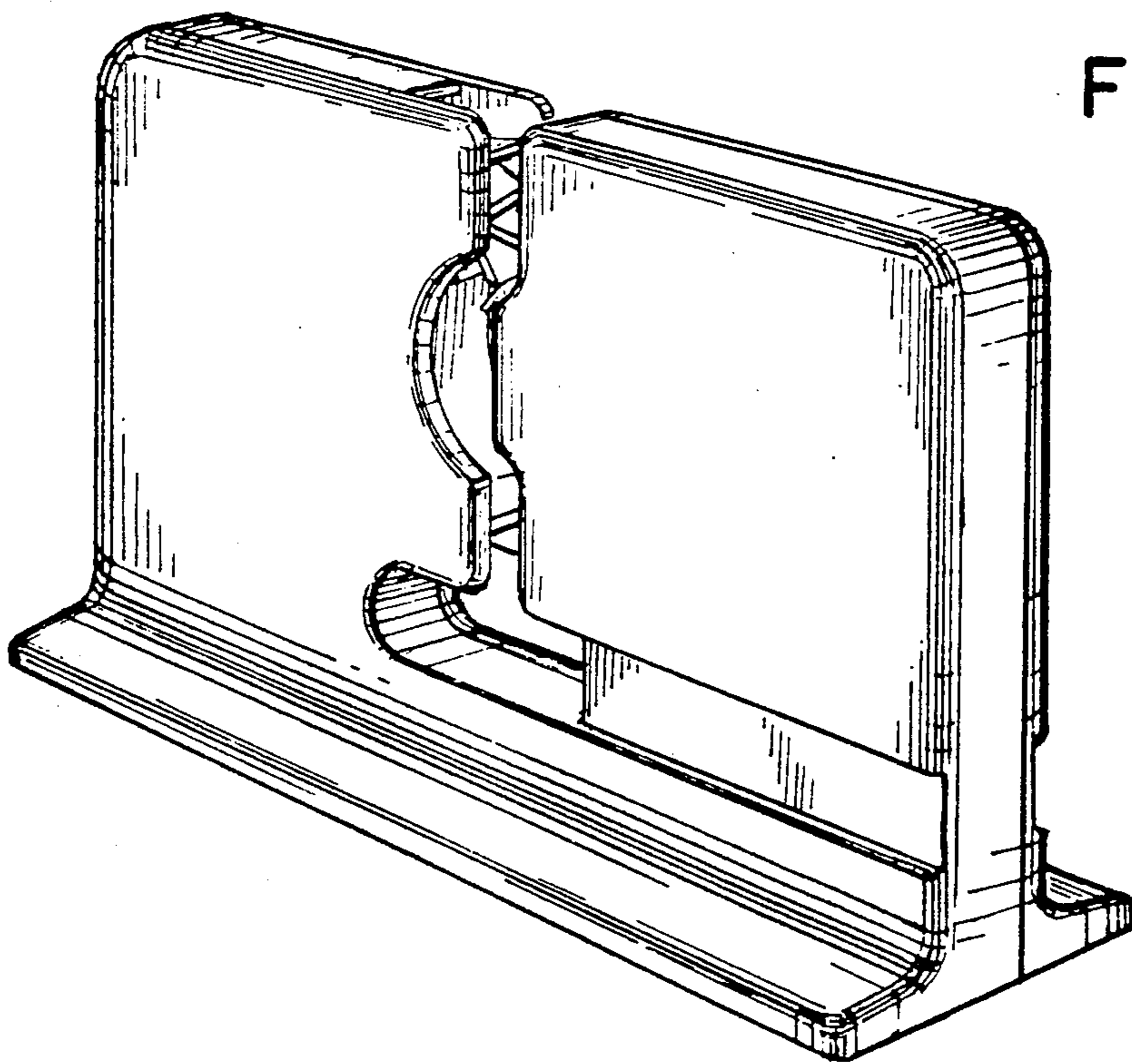


FIG. 2

FIG. 3

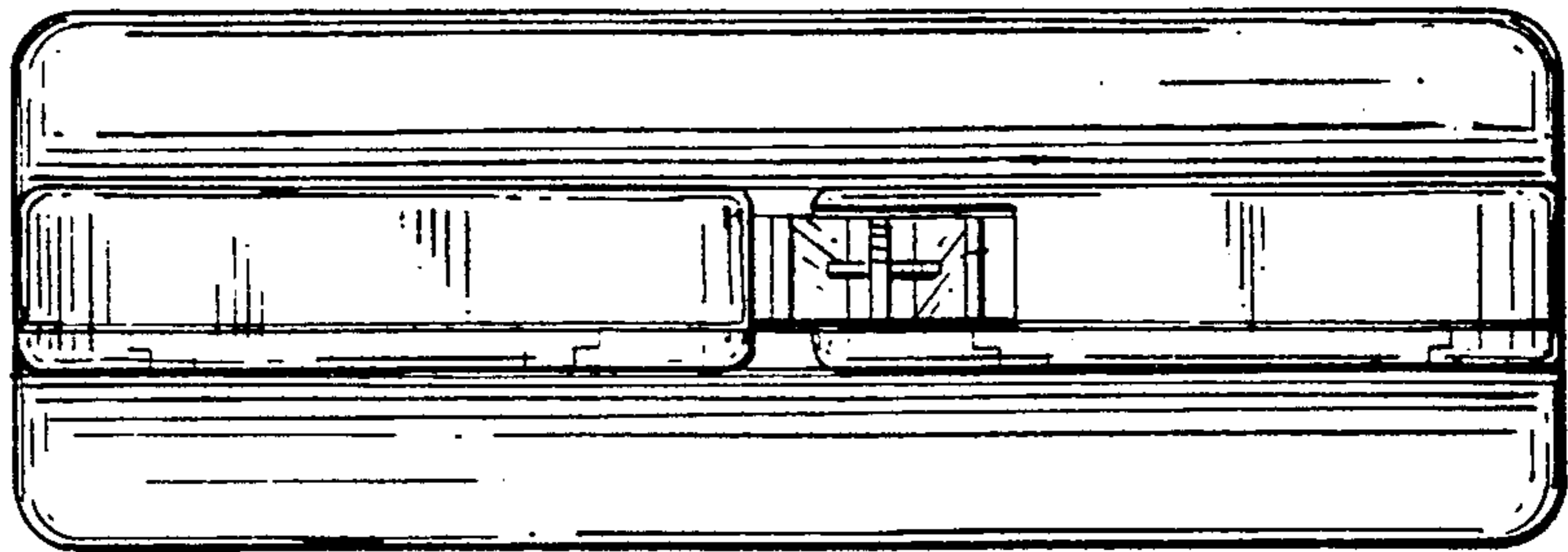


FIG. 6

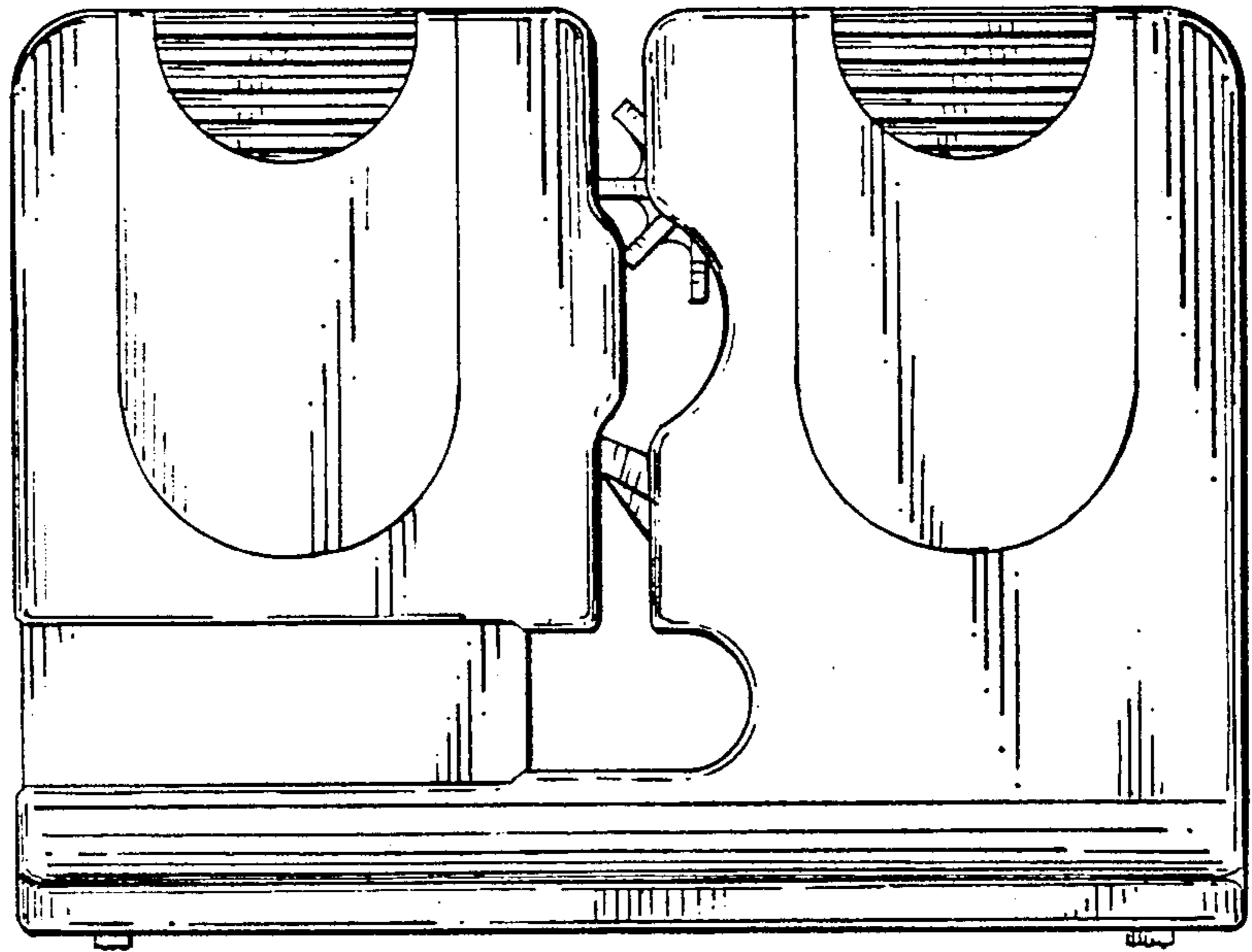
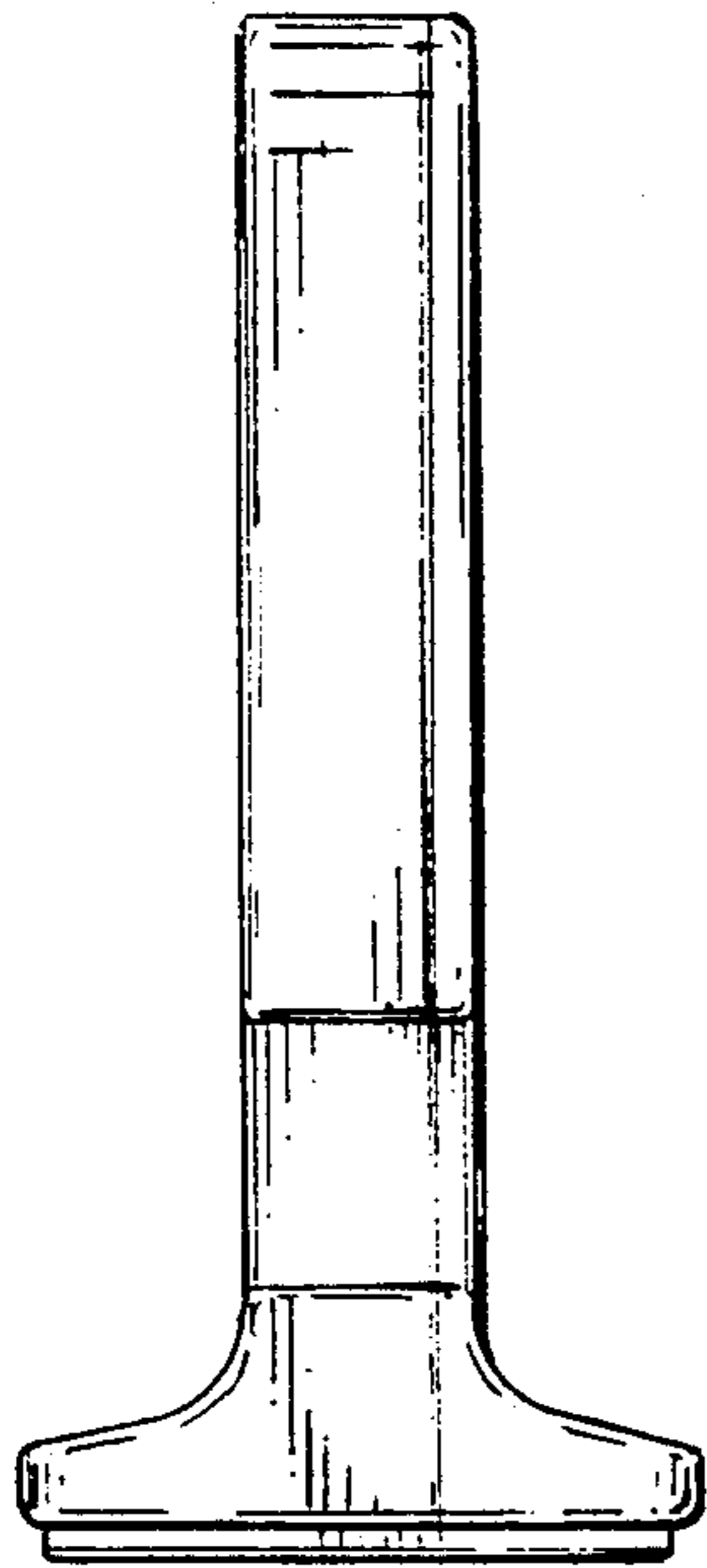


FIG. 4

FIG. 5

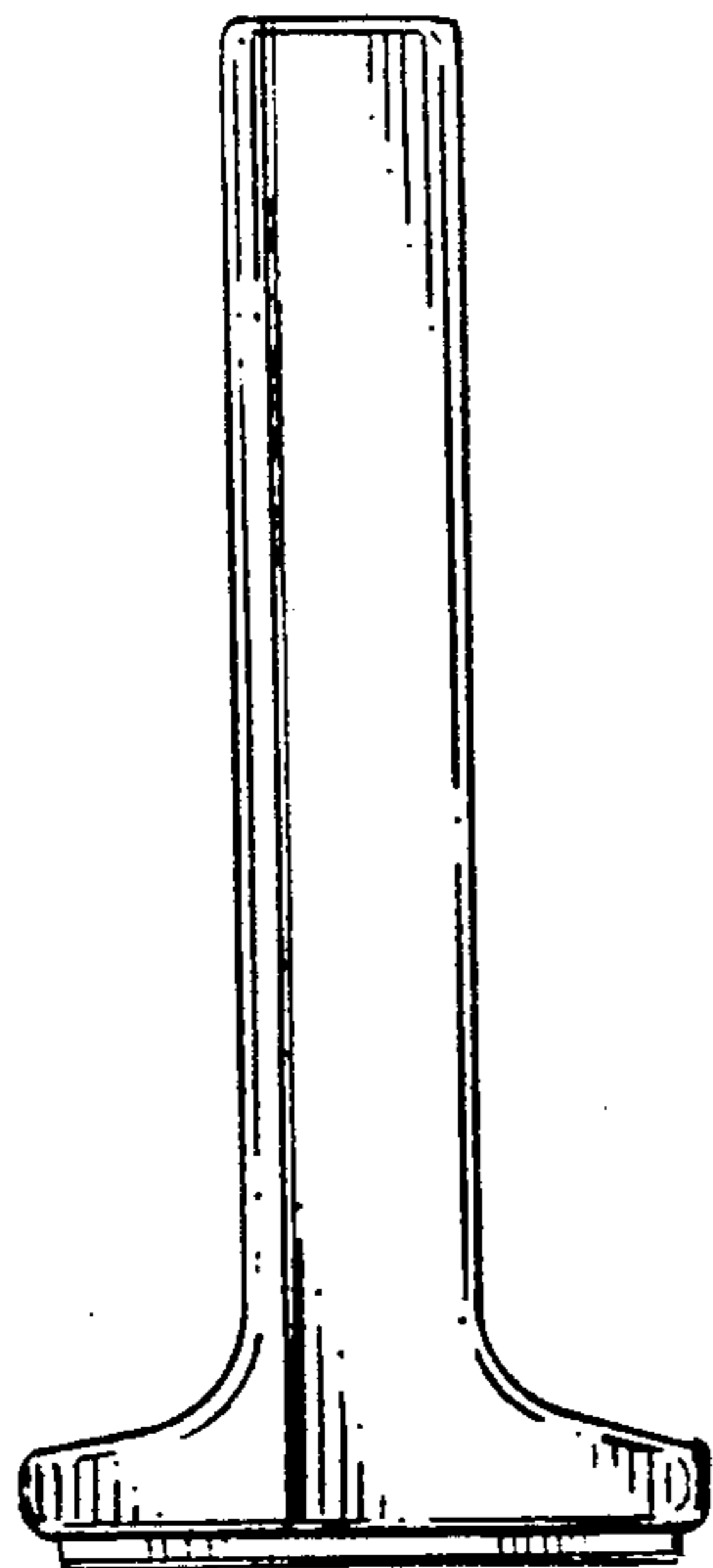
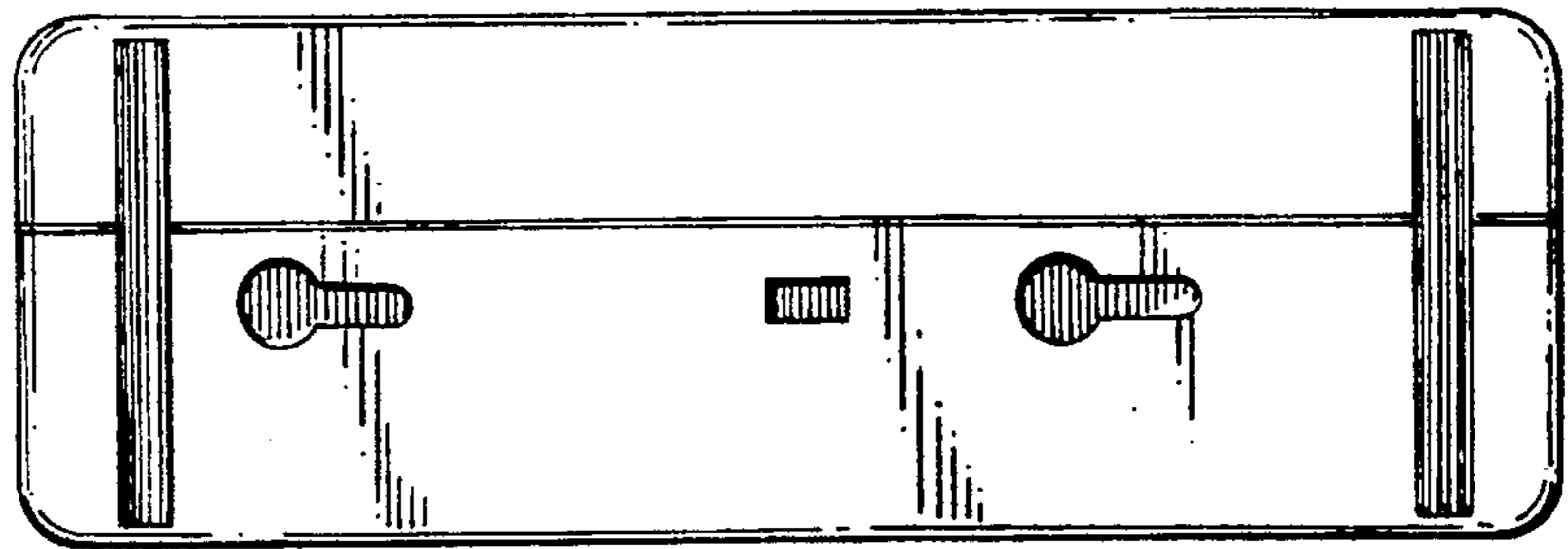


FIG. 7

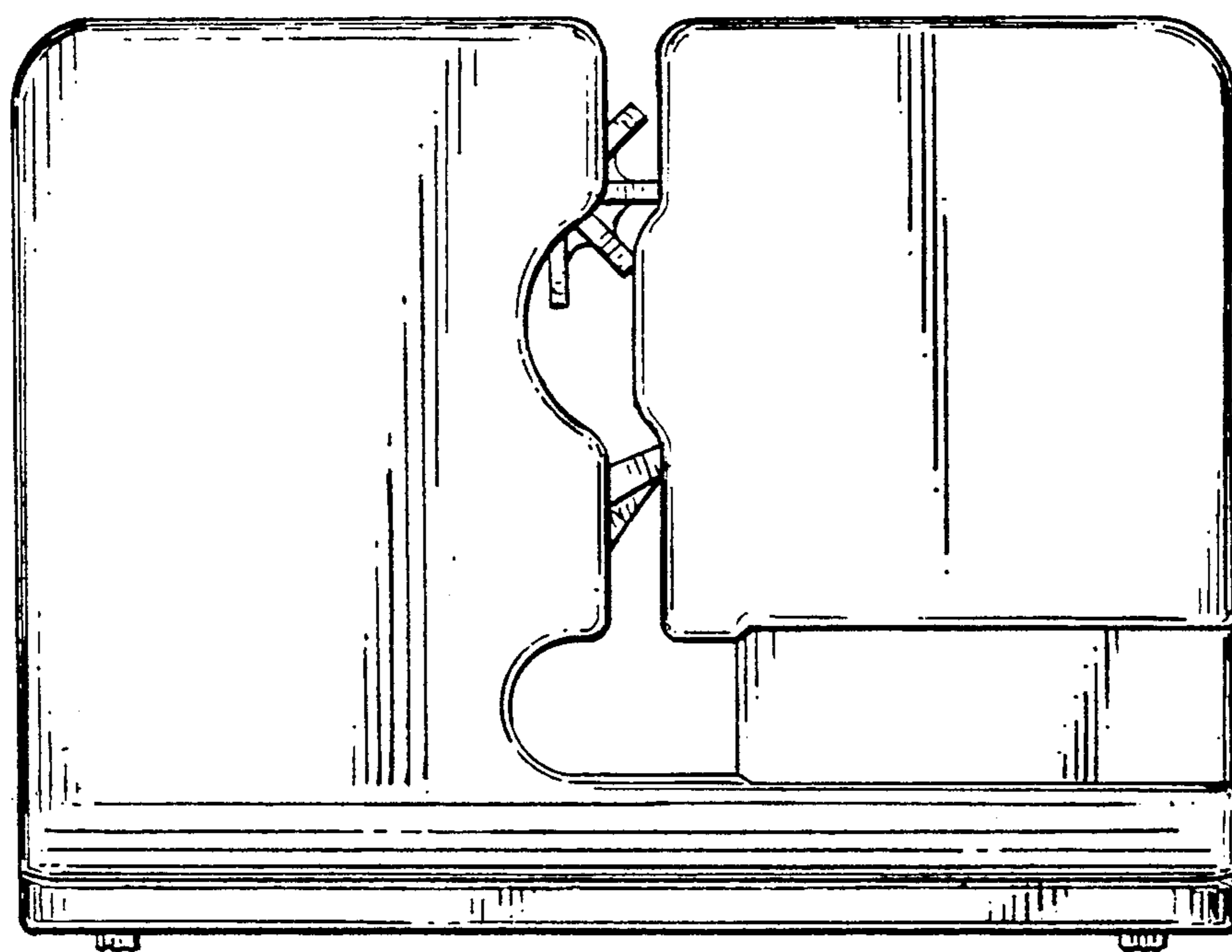


FIG. 8