



US00D326670S

United States Patent [19]

[11] Patent Number: **Des. 326,670**

Zinn

[45] Date of Patent: **** Jun. 2, 1992**

[54] VERTICAL INDEXOR

4.707.885 11/1987 Swilley 452/128
4.873.749 10/1989 Couture 452/128

[75] Inventor: **James K. Zinn**, Amarillo, Tex.

Primary Examiner—Donald P. Walsh
Assistant Examiner—Antoine D. Davis
Attorney, Agent, or Firm—Townsend and Townsend

[73] Assignee: **LeFiell Company**, San Francisco, Calif.

[**] Term: **14 Years**

[57] **CLAIM**

[21] Appl. No.: **388,221**

The ornamental design for a vertical indexor, as shown and described.

[22] Filed: **Aug. 1, 1989**

DESCRIPTION

[52] U.S. Cl. **D15/140; D15/199**

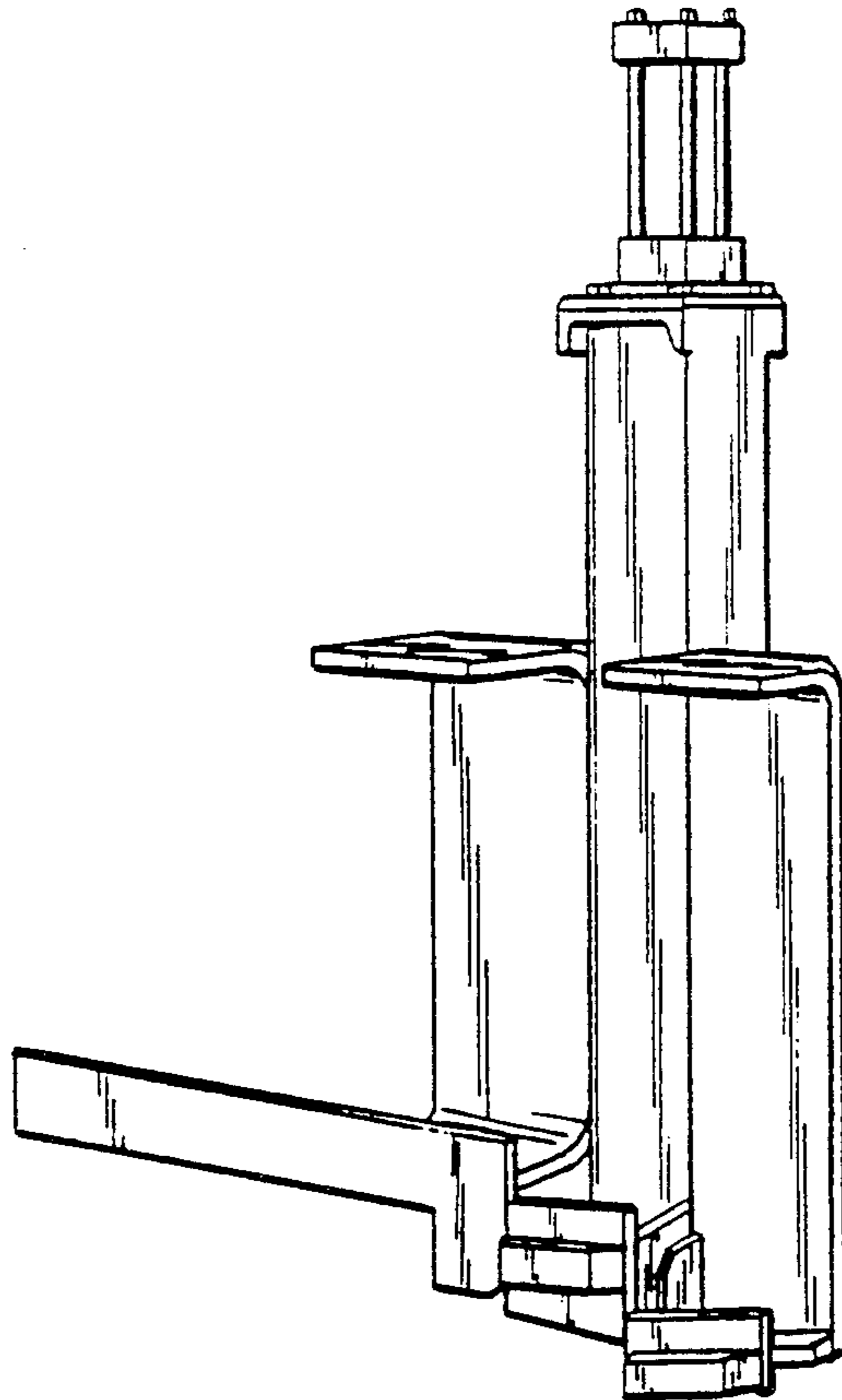
FIG. 1 is a top, front and right side perspective view of a vertical indexor showing my new design;
FIG. 2 is a bottom, front and left side perspective view;
FIG. 3 is a top plan view;
FIG. 4 is a front elevational view;
FIG. 5 is a left side elevational view;
FIG. 6 is a right side elevational view;
FIG. 7 is a rear elevational view; and
FIG. 8 is a bottom plan view thereof.

[58] Field of Search **D15/138, 140; 452/128**

[56] **References Cited**

U.S. PATENT DOCUMENTS

D. 211,284	6/1968	Scholl	D15/140
D. 211,285	6/1968	Scholl	D15/140
3,623,187	11/1971	Grubbs	452/128
4,438,546	3/1984	Couture	



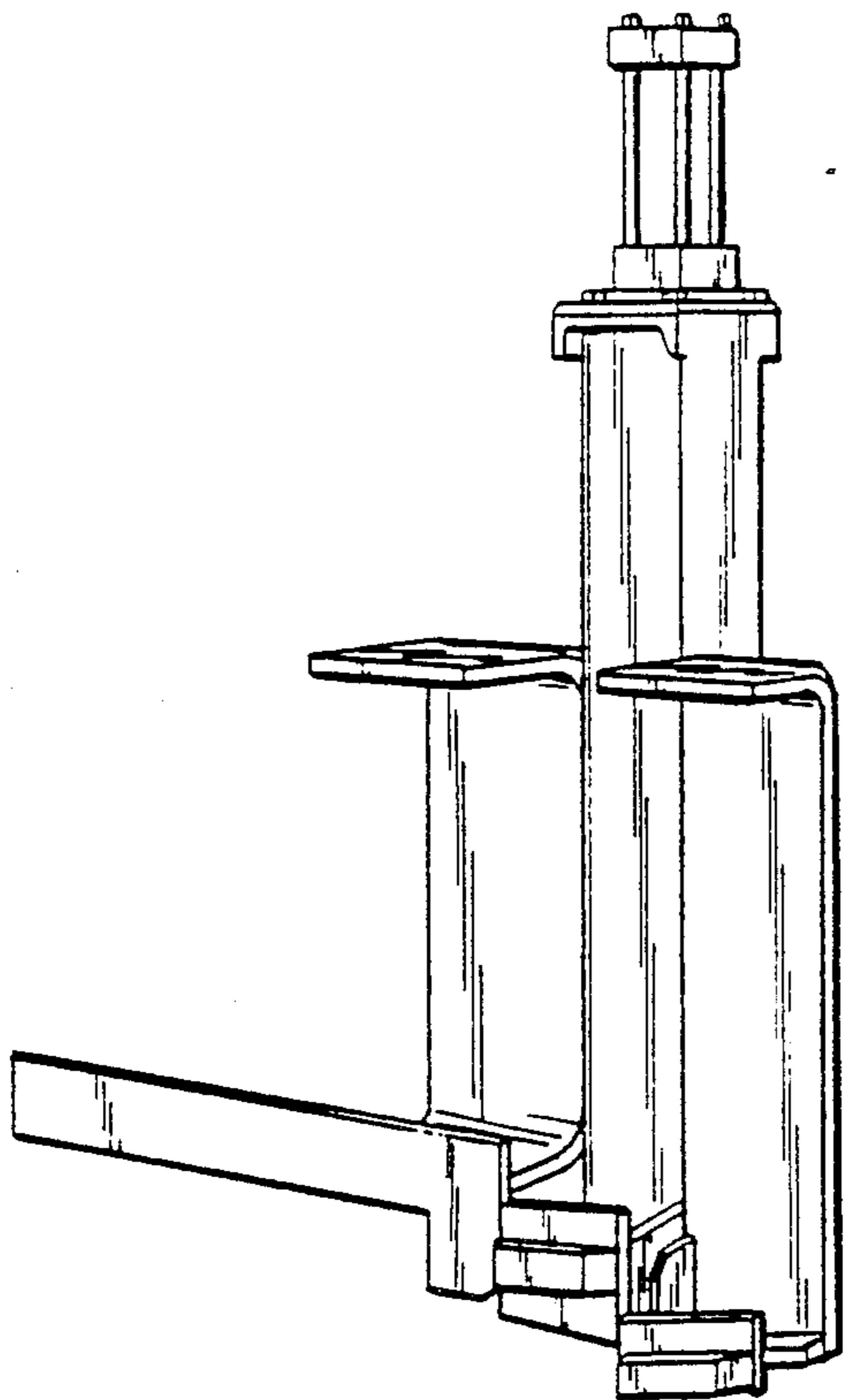


FIG-1

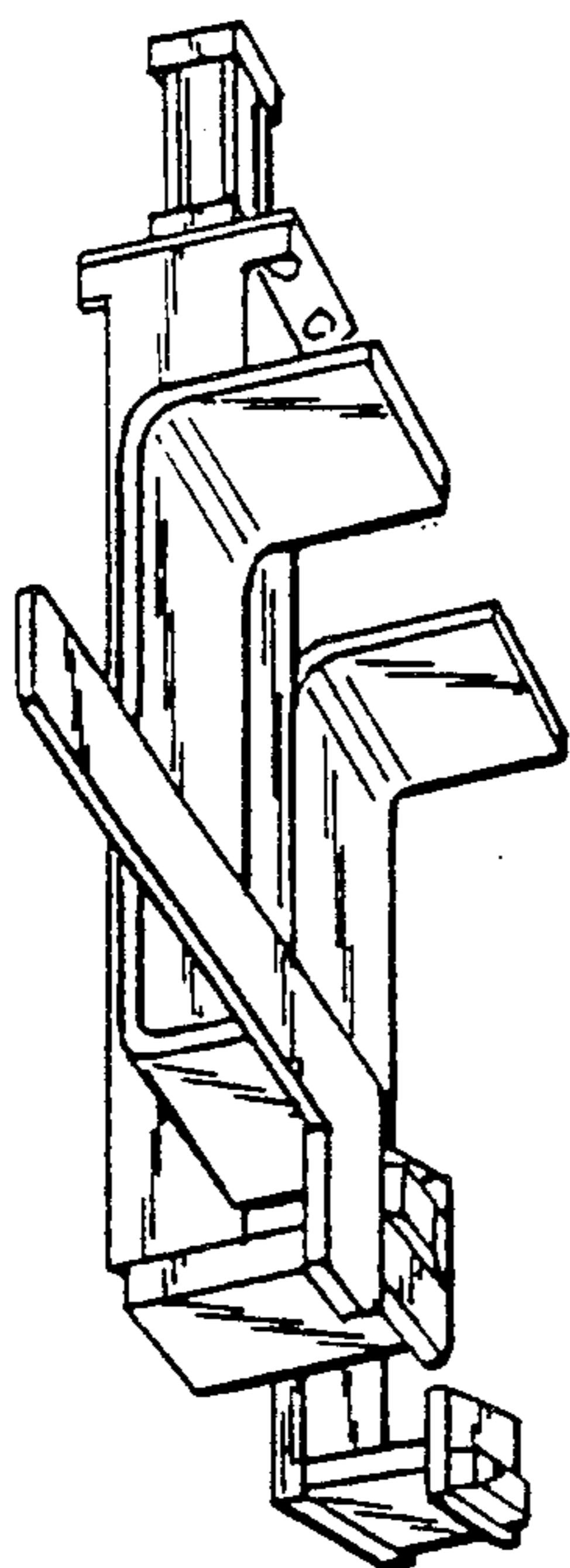


FIG-2

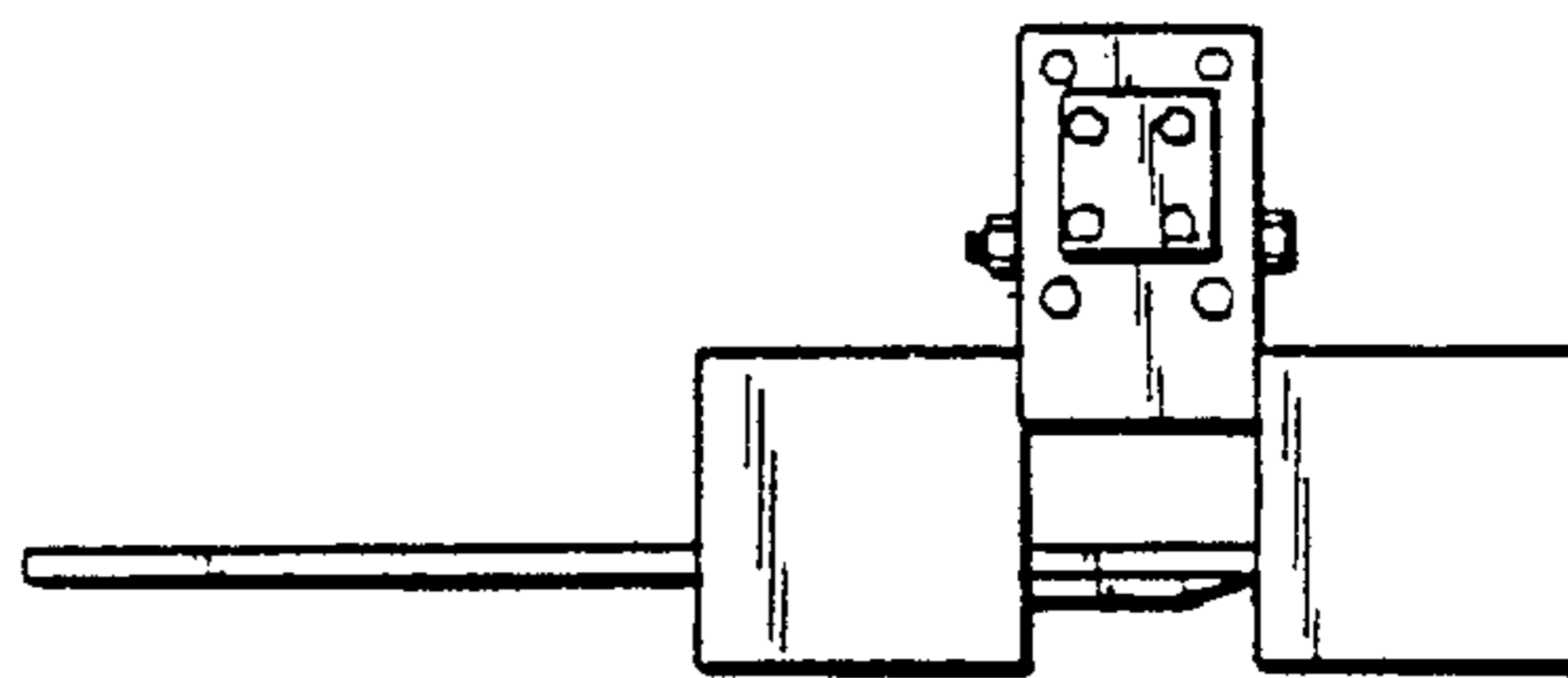


FIG-3

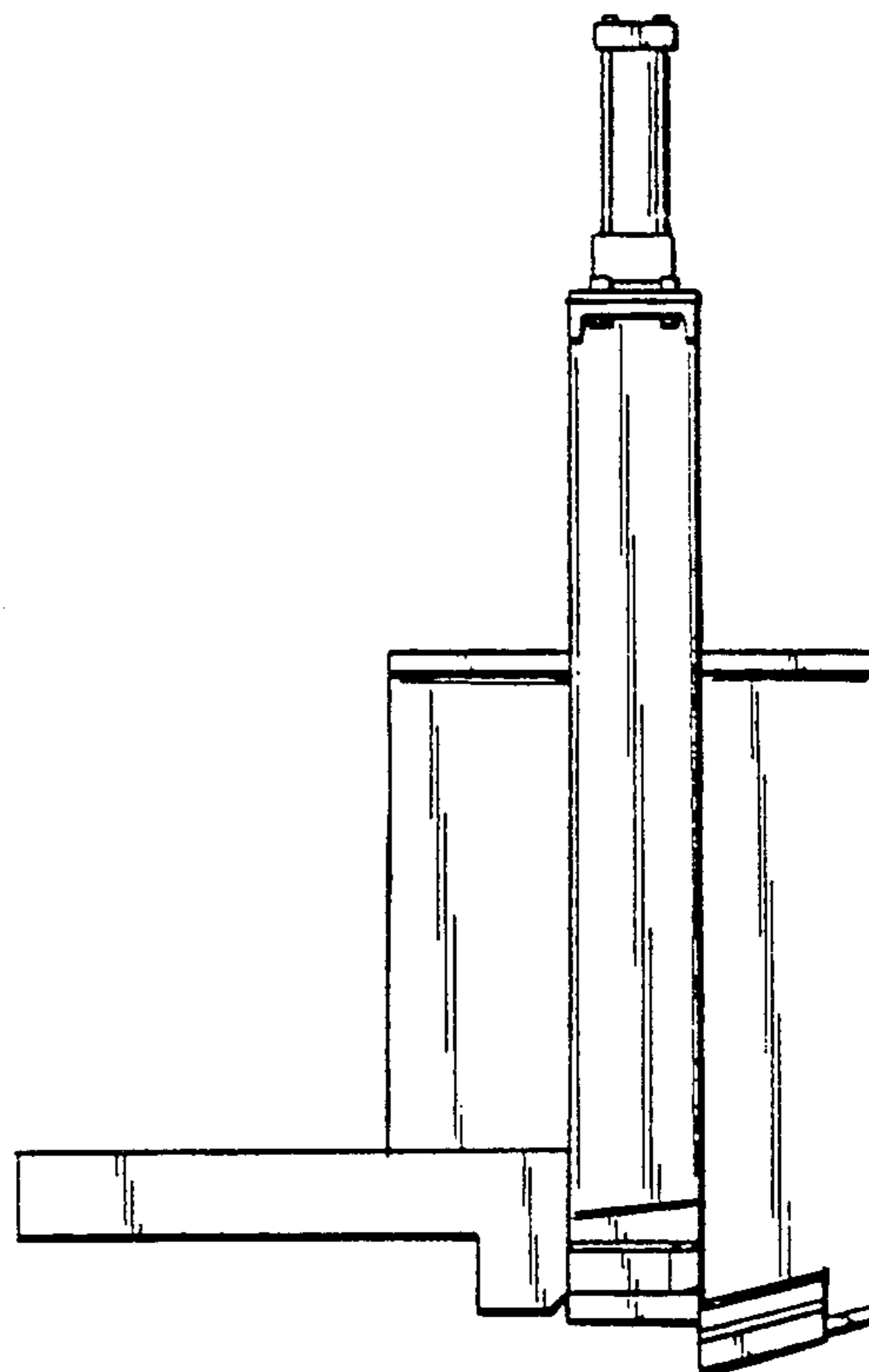


FIG-4

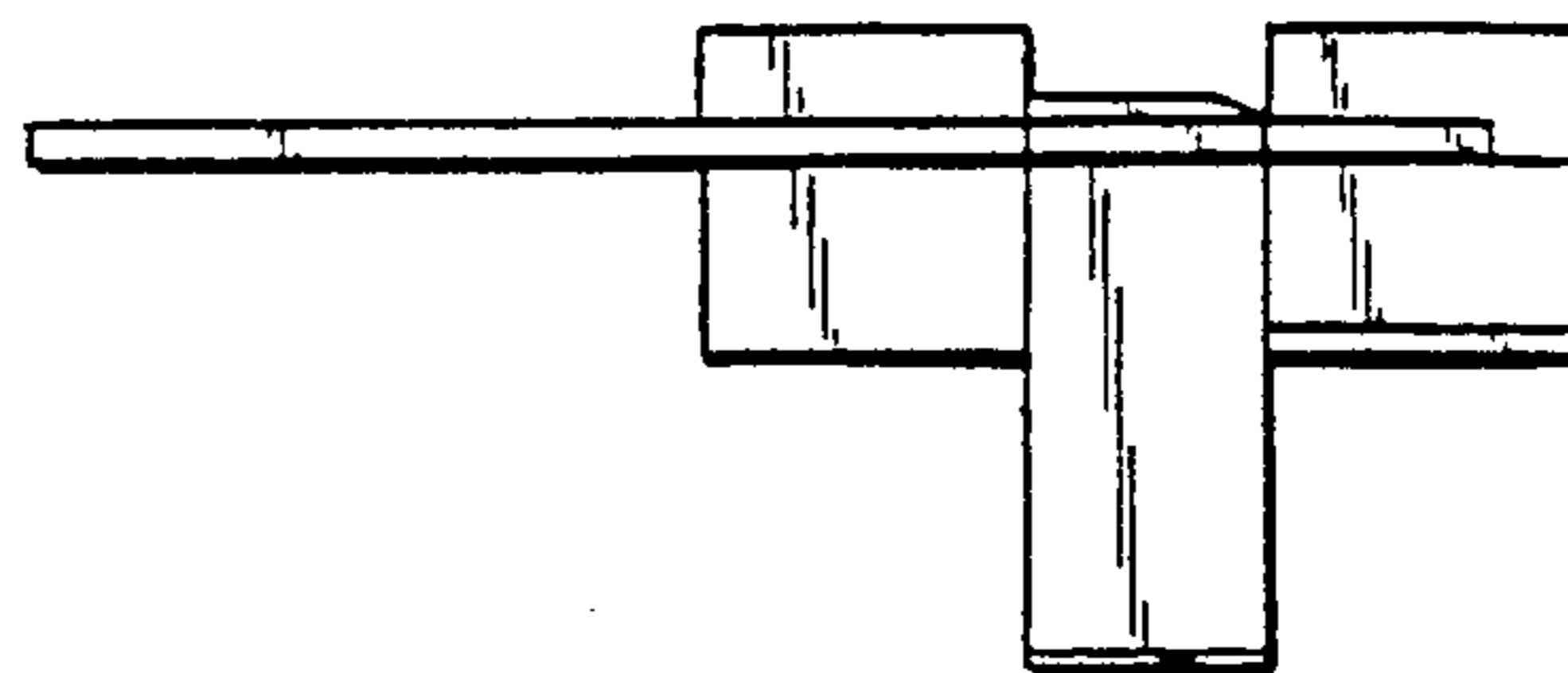


FIG-8

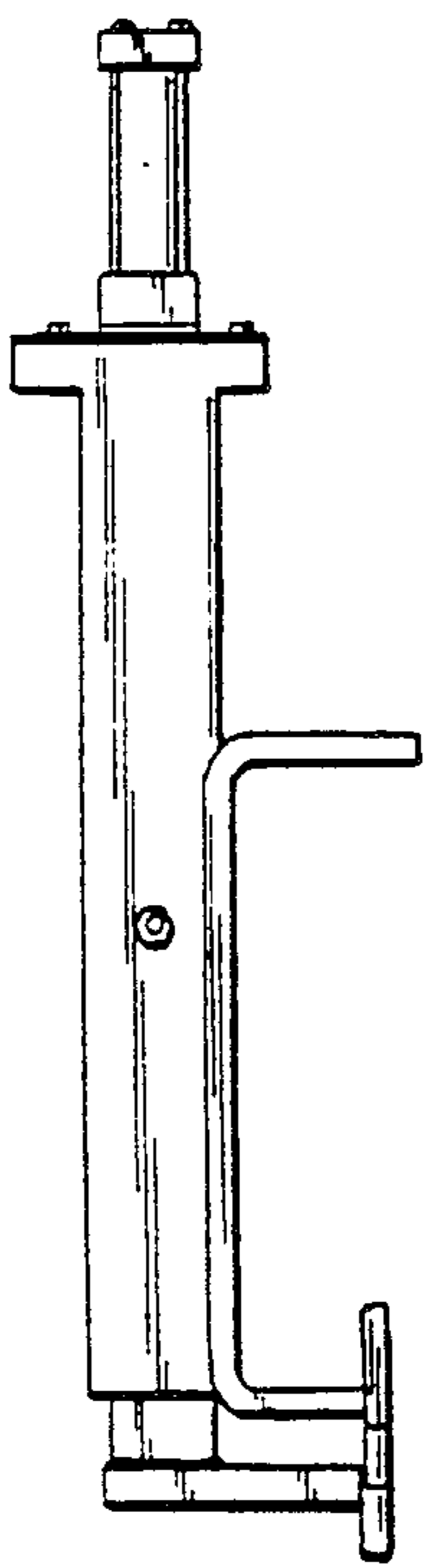


FIG-5

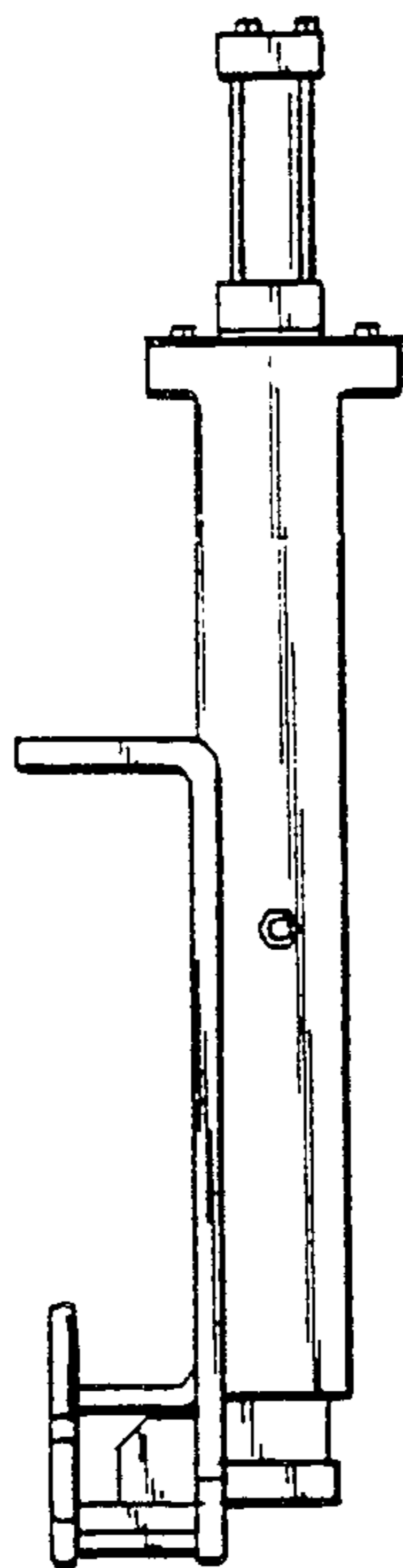


FIG-6

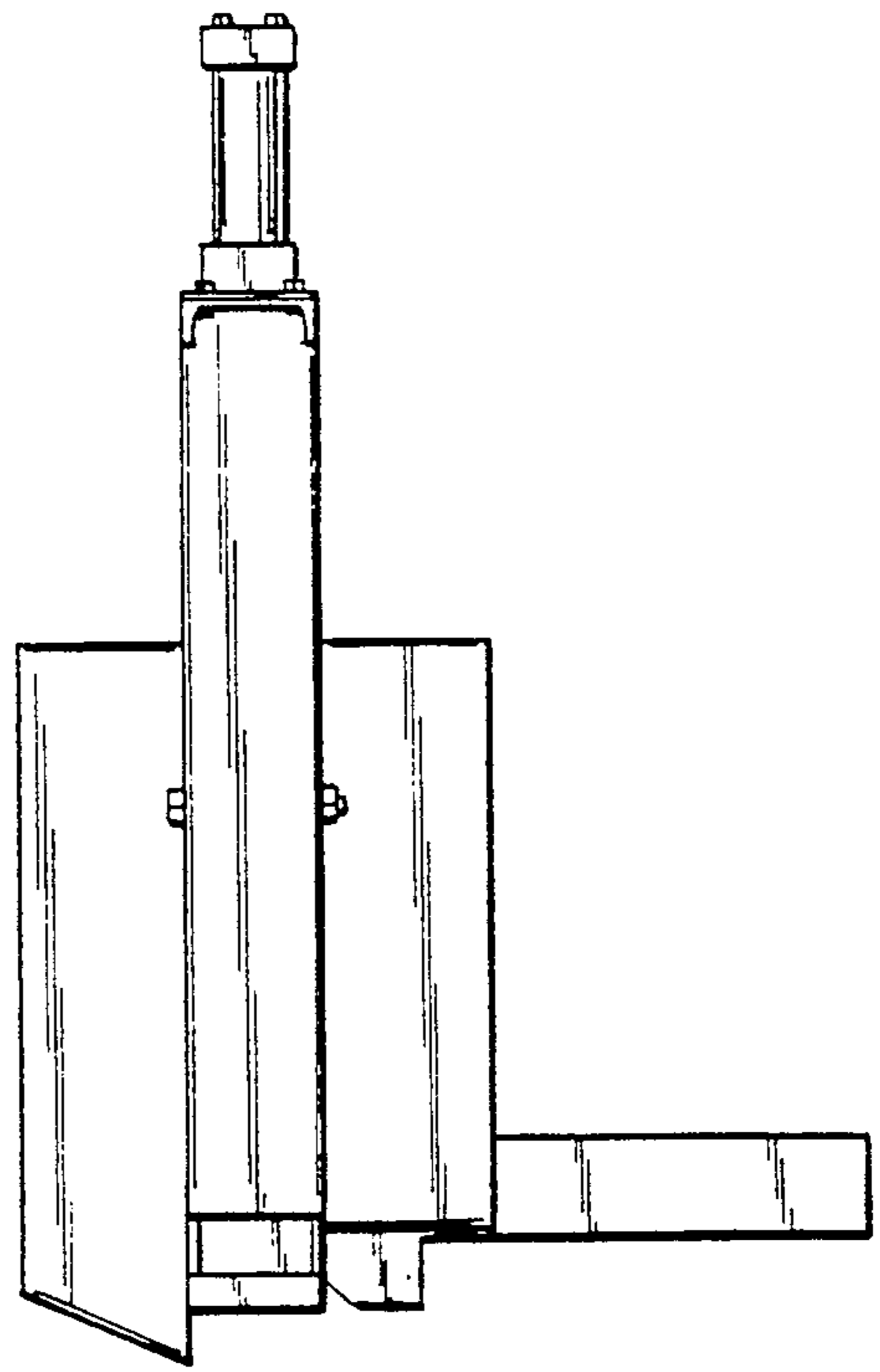


FIG-7