



US00D32669S

# United States Patent [19]

[11] Patent Number: **Des. 326,669**

Parris et al.

[45] Date of Patent: **\*\* Jun. 2, 1992**

[54] **TOOL HOLDER**

4,817,929 4/1989 Kozak ..... 269/43  
5,067,696 11/1991 Morley ..... 269/43 X

[76] Inventors: **Glen Parris**, 1051 Stonehenge Dr.,  
Hanahan, S.C. 29406; **Gene Caddell**,  
4750 Yardley Dr., Chas Heights,  
S.C. 29405

*Primary Examiner*—Donald P. Walsh  
*Assistant Examiner*—Antoine D. Davis  
*Attorney, Agent, or Firm*—Terry M. Gernstein

[\*\*] Term: **14 Years**

[57] **CLAIM**

[21] Appl. No.: **541,361**

The ornamental design for a tool holder, as shown and described.

[22] Filed: **Jun. 21, 1990**

[52] U.S. Cl. .... **D15/140**

**DESCRIPTION**

[58] Field of Search ..... D15/140; 269/51, 43,  
269/63, 69, 71, 76

FIG. 1 is a perspective view of a tool holder showing our new design;

[56] **References Cited**

**U.S. PATENT DOCUMENTS**

3,298,681 1/1967 Youngblood .  
4,145,006 3/1979 Webb .  
4,541,621 9/1985 Amos .

FIG. 2 is a front elevational view;

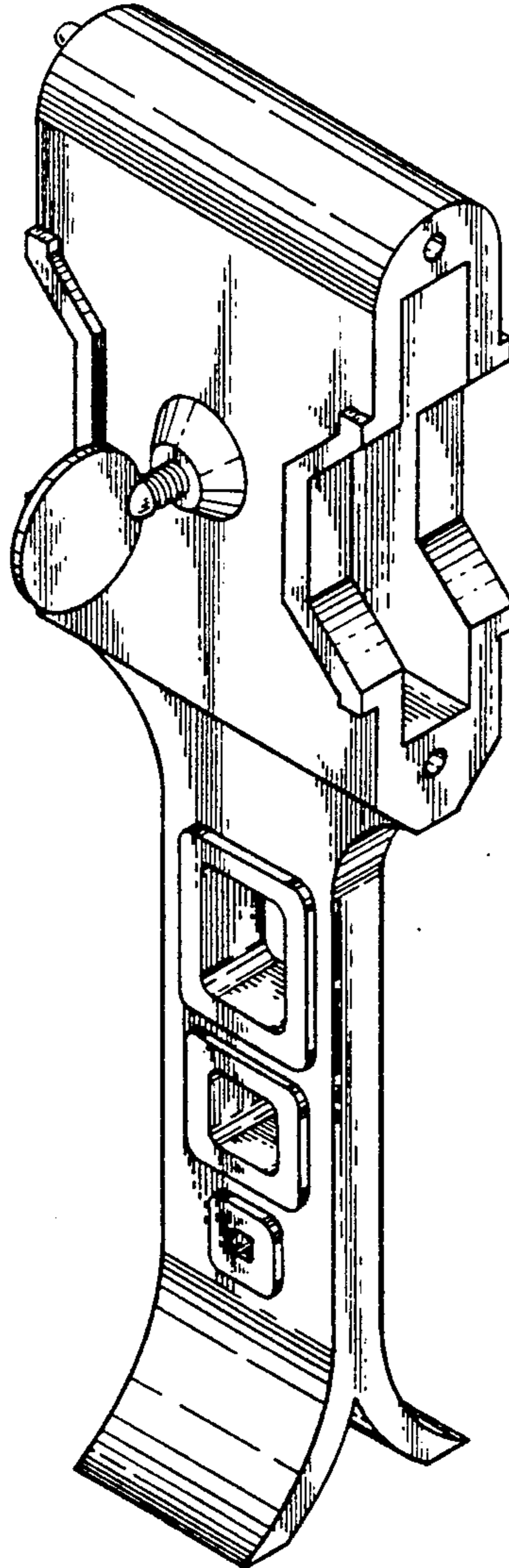
FIG. 3 is a rear elevational view;

FIG. 4 is a right side elevational view;

FIG. 5 is a left side elevational view;

FIG. 6 is a top plan view; and,

FIG. 7 is a bottom plan view thereof.



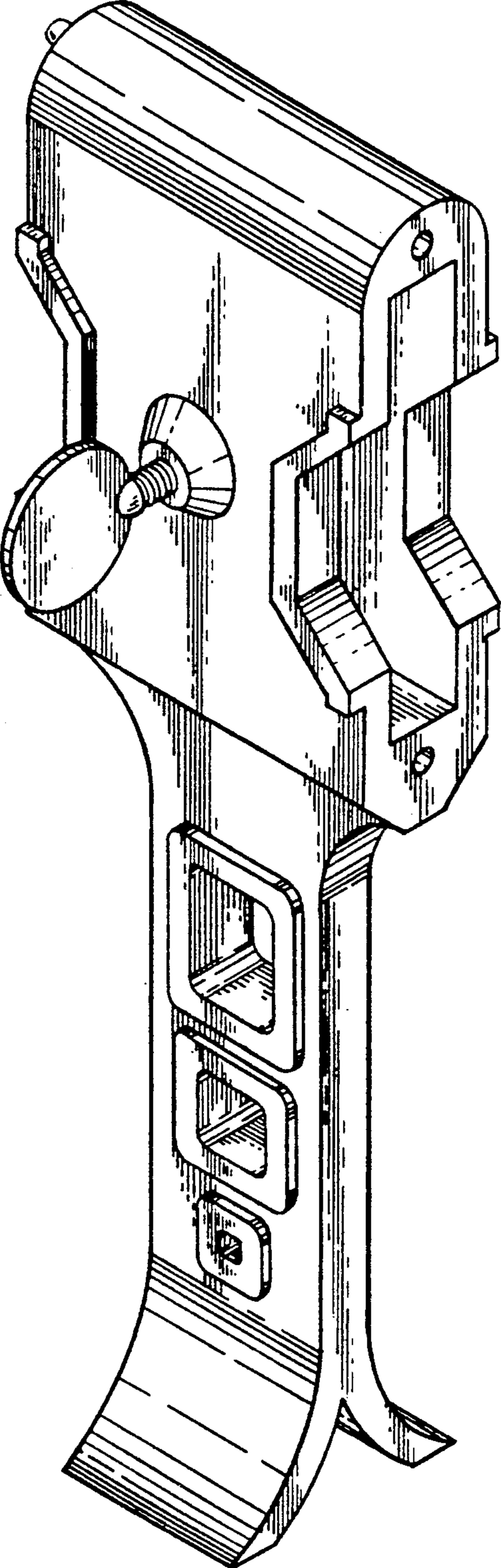


Fig. 1

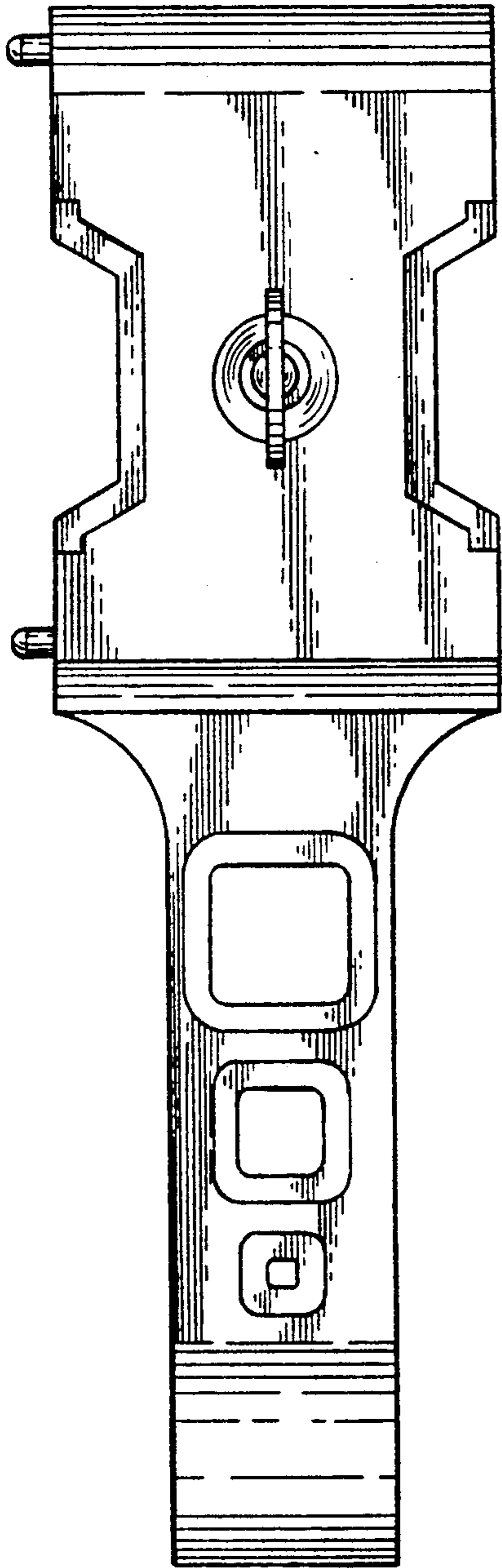


Fig. 2

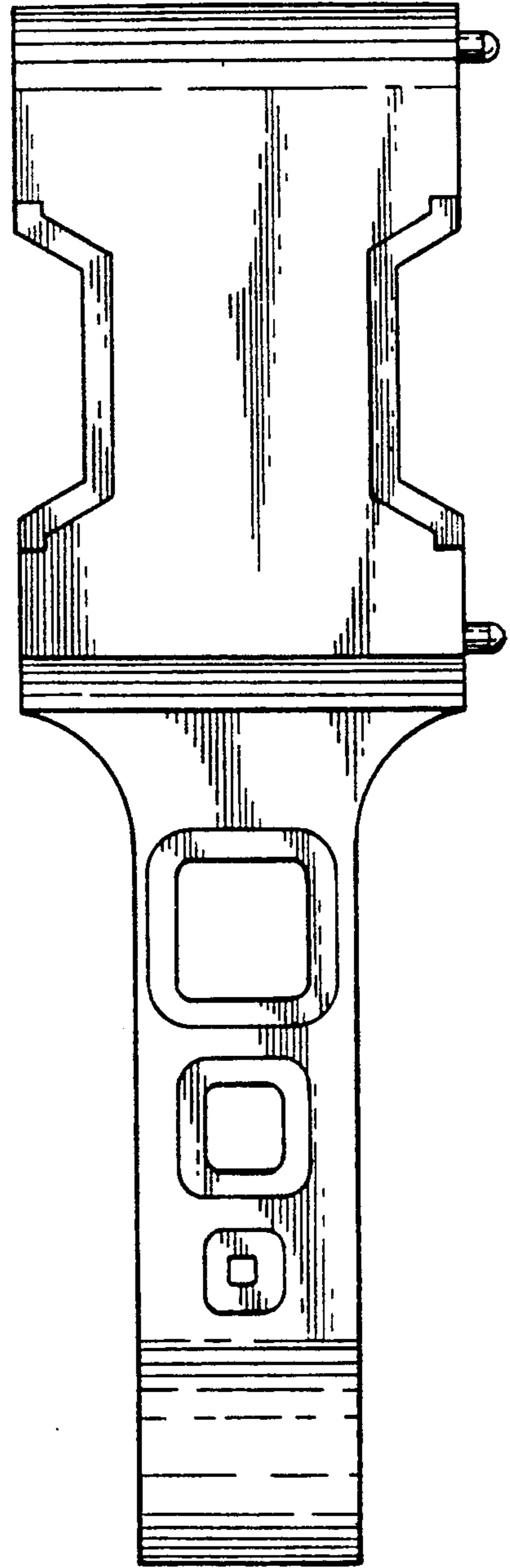


Fig. 3

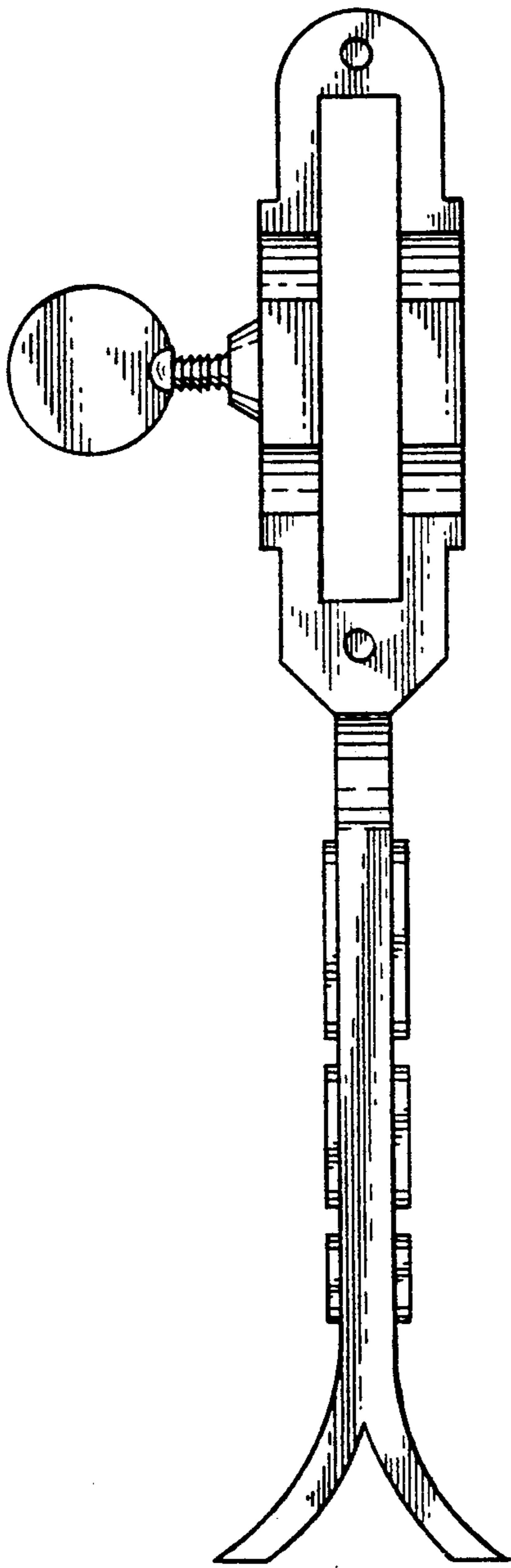


Fig. 4

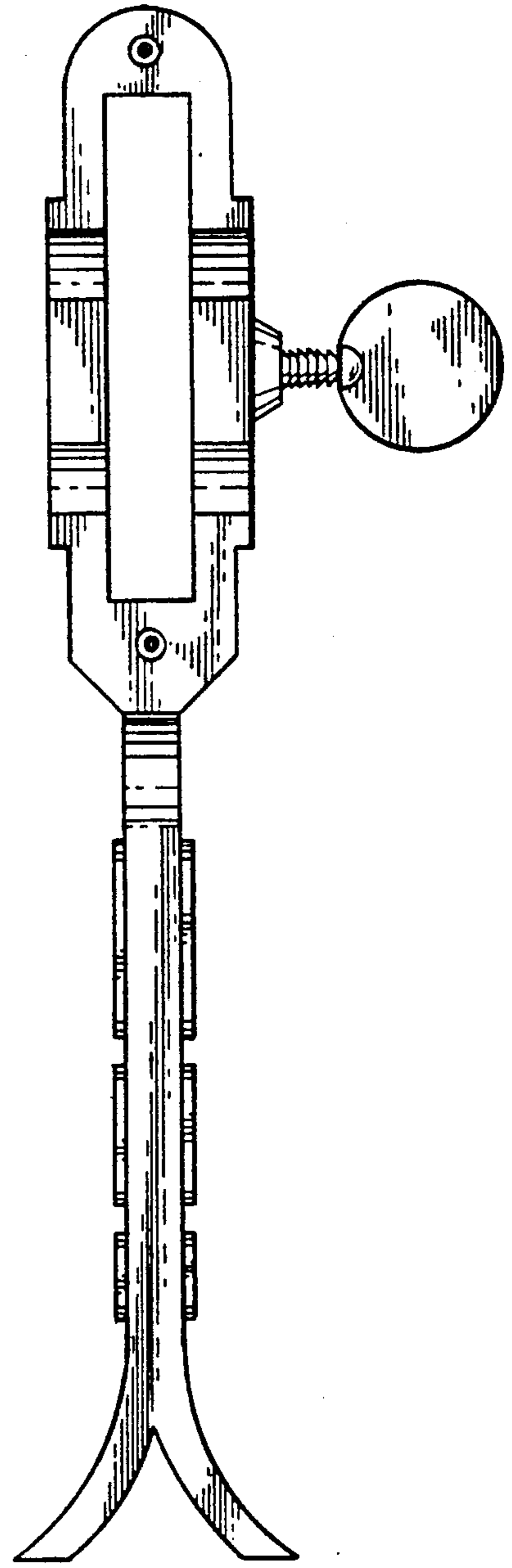


Fig. 5

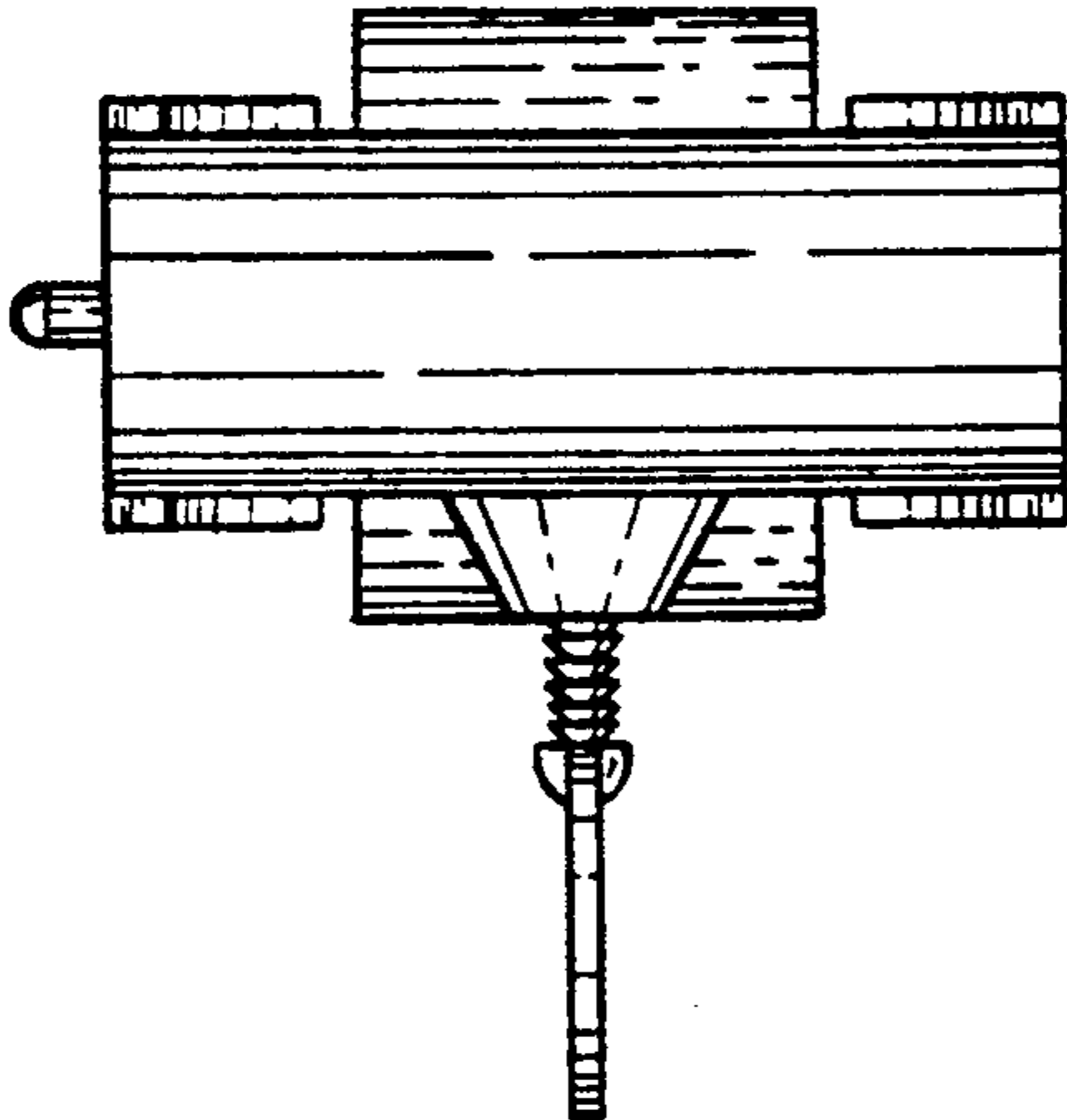


Fig. 6

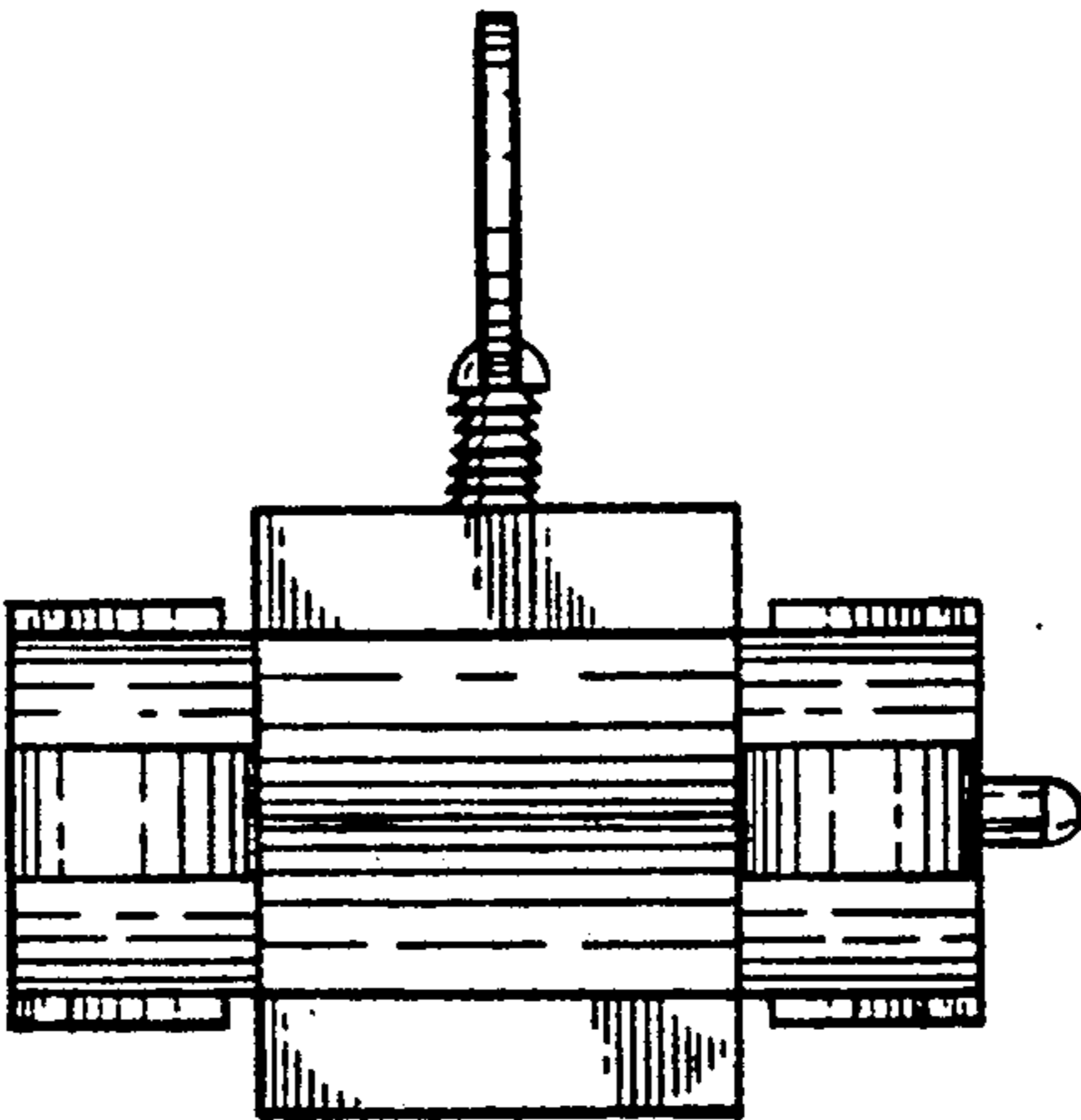


Fig. 7