



US00D32668S

United States Patent [19]

[11] Patent Number: **Des. 326,668**

Arehart et al.

[45] Date of Patent: **** Jun. 2, 1992**

[54] **COMPOUND MITER SAW**

5,020,406 6/1991 Sasaki et al. 83/581 X
5,042,348 8/1991 Brundage et al. 83/471.3

[75] Inventors: **Robert W. Arehart; Raymond W. Peeler**, both of Cook County, Ill.

Primary Examiner—Donald P. Walsh
Assistant Examiner—Antoine D. Davis
Attorney, Agent, or Firm—Polster, Lieder, Woodruff & Lucchesi

[73] Assignee: **Emerson Electric Co.**, St. Louis, Mo.

[**] Term: **14 Years**

[57] **CLAIM**

[21] Appl. No.: **434,841**

The ornamental design for a compound miter saw, as shown and described.

[22] Filed: **Nov. 13, 1989**

[52] U.S. Cl. **D15/133; D15/127**

[58] Field of Search **D8/66, 71; D15/125, D15/133; 83/471.2, 471.3, 477, 581**

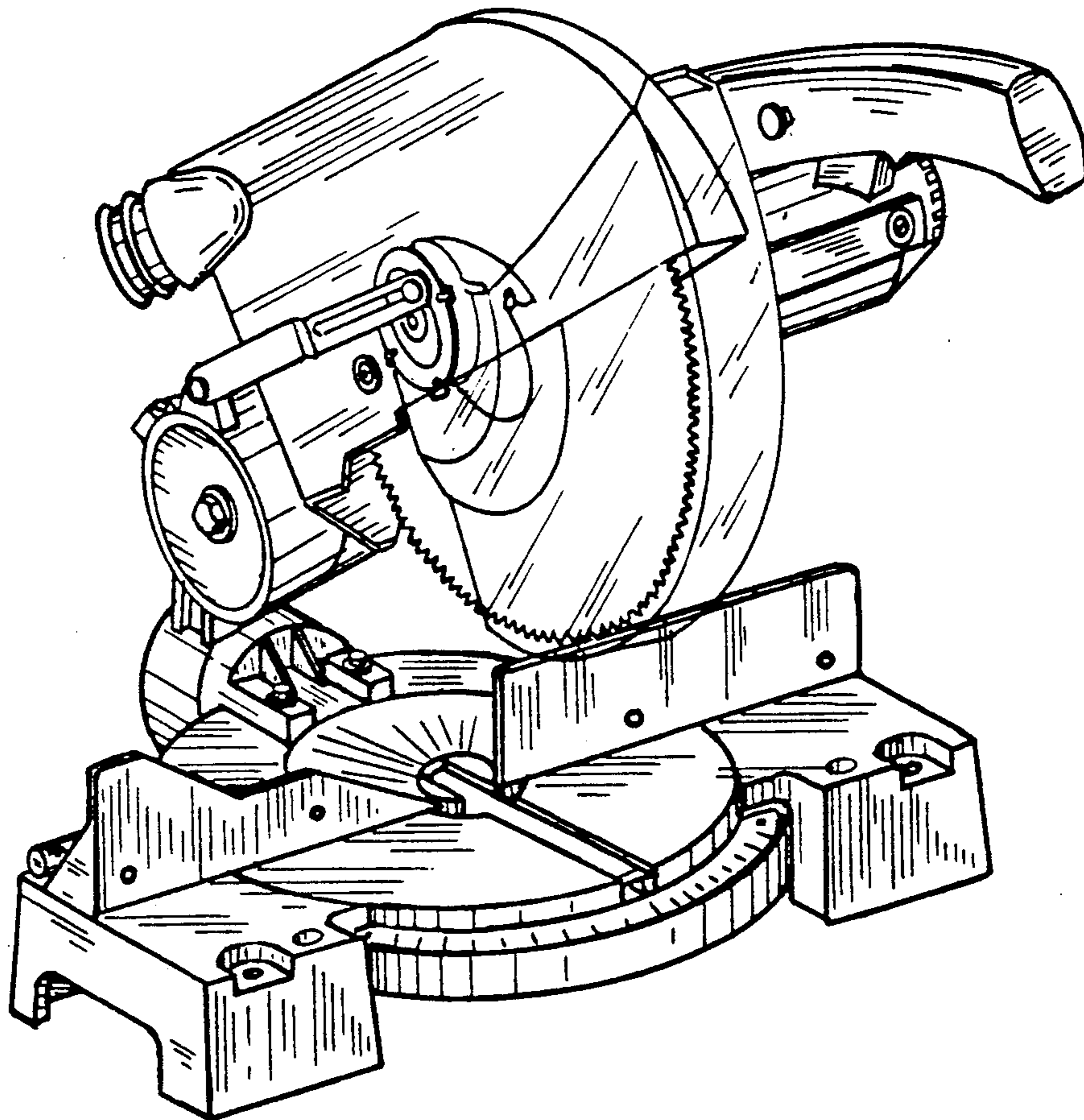
DESCRIPTION

[56] **References Cited**

U.S. PATENT DOCUMENTS

D. 287,694	1/1987	Miyamoto	D8/66
D. 295,823	5/1988	Brickner, Jr. et al.	D15/133
D. 305,542	1/1990	Miyamoto et al.	D15/133
4,265,154	5/1981	Batson	83/471.2 X
4,527,453	7/1985	van Hauten	83/471.3 X

FIG. 1 is a top, front and left side perspective view of a compound miter saw showing our new design; FIG. 2 is a top, rear and right side perspective view; FIG. 3 is a top plan view; FIG. 4 is a bottom plan view; FIG. 5 is a left side elevational view; FIG. 6 is a right side elevational view; FIG. 7 is a front elevational view; and FIG. 8 is a rear elevational view thereof.



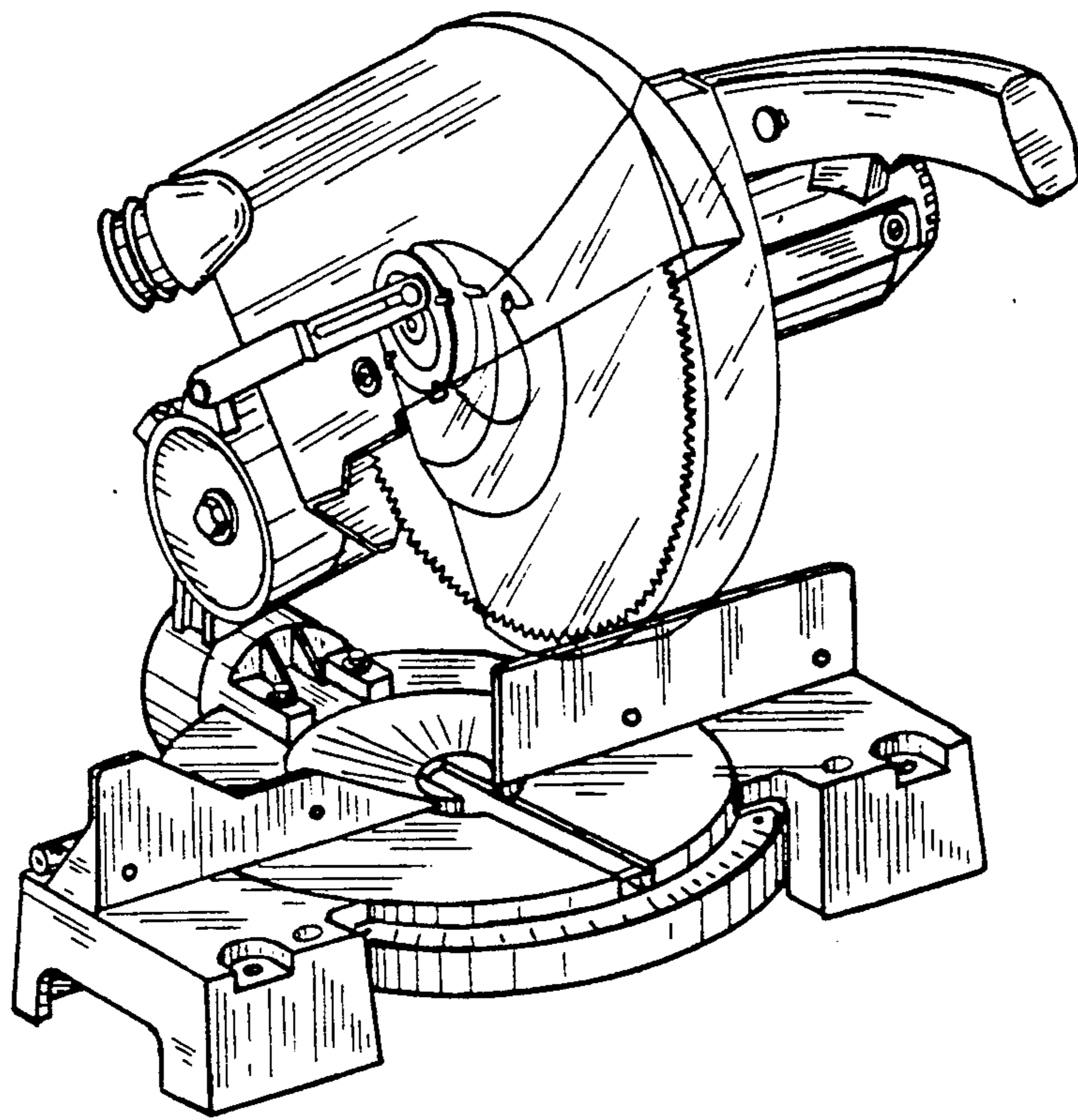


FIG. 1.

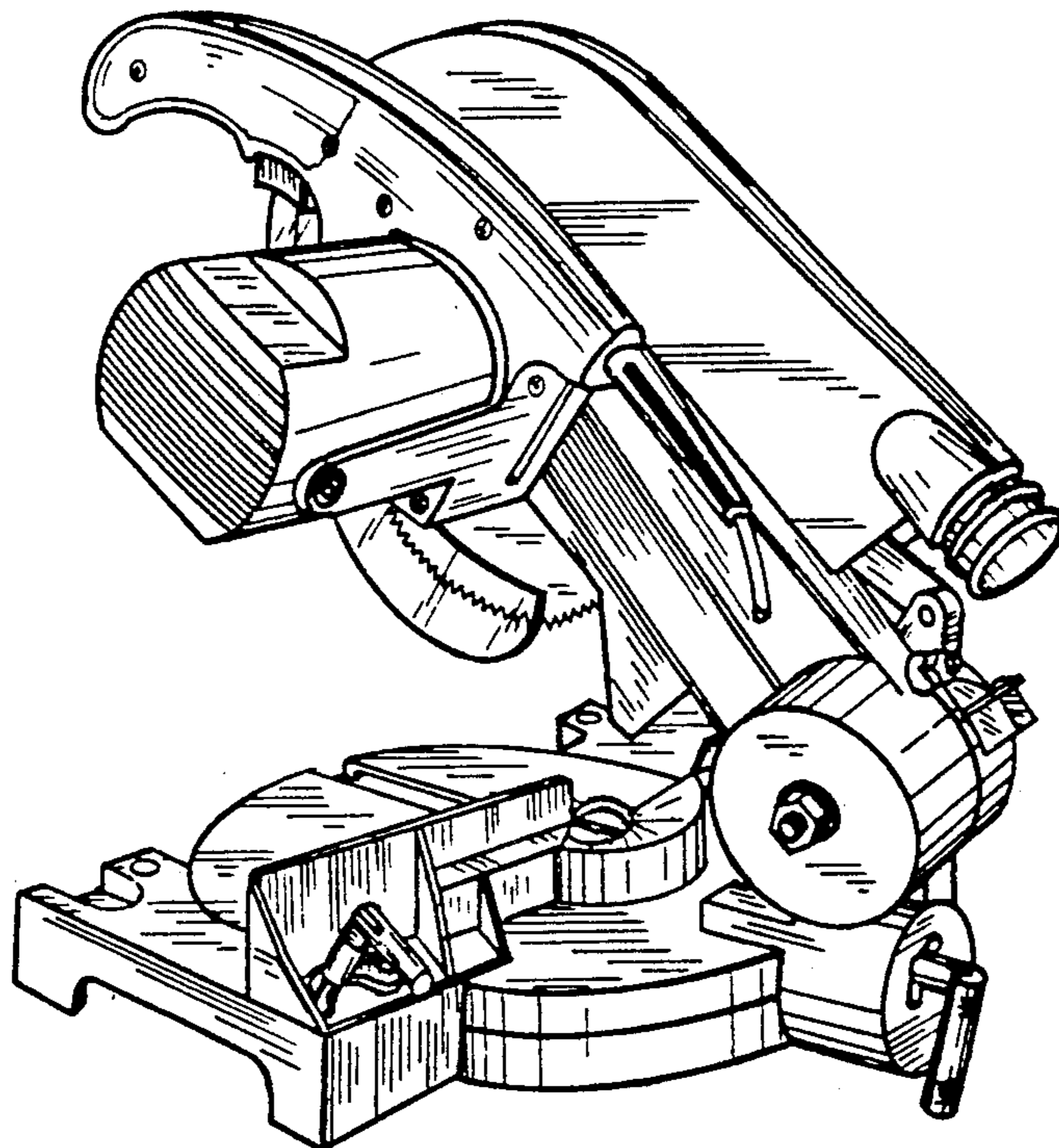


FIG. 2.

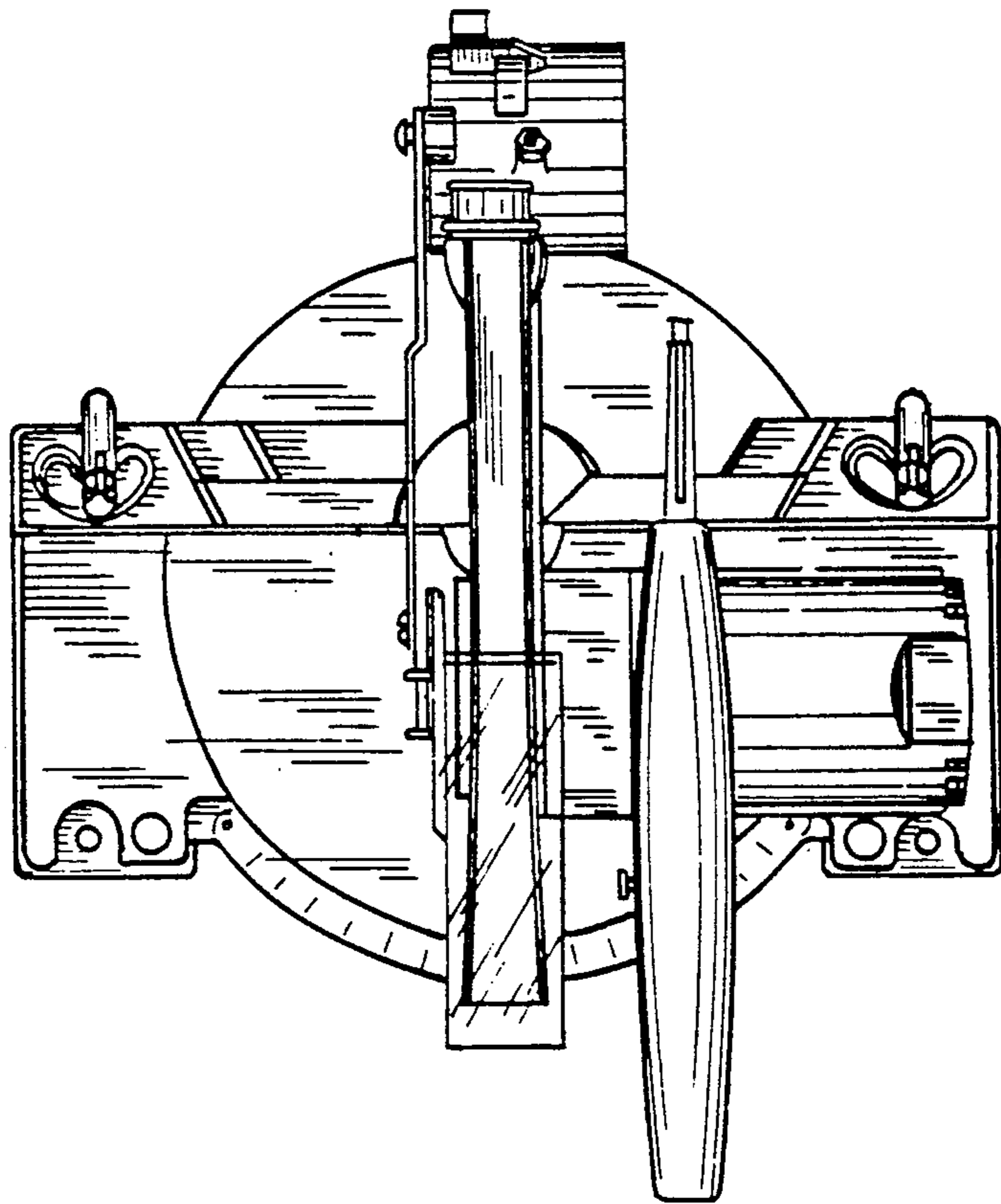


FIG. 3.

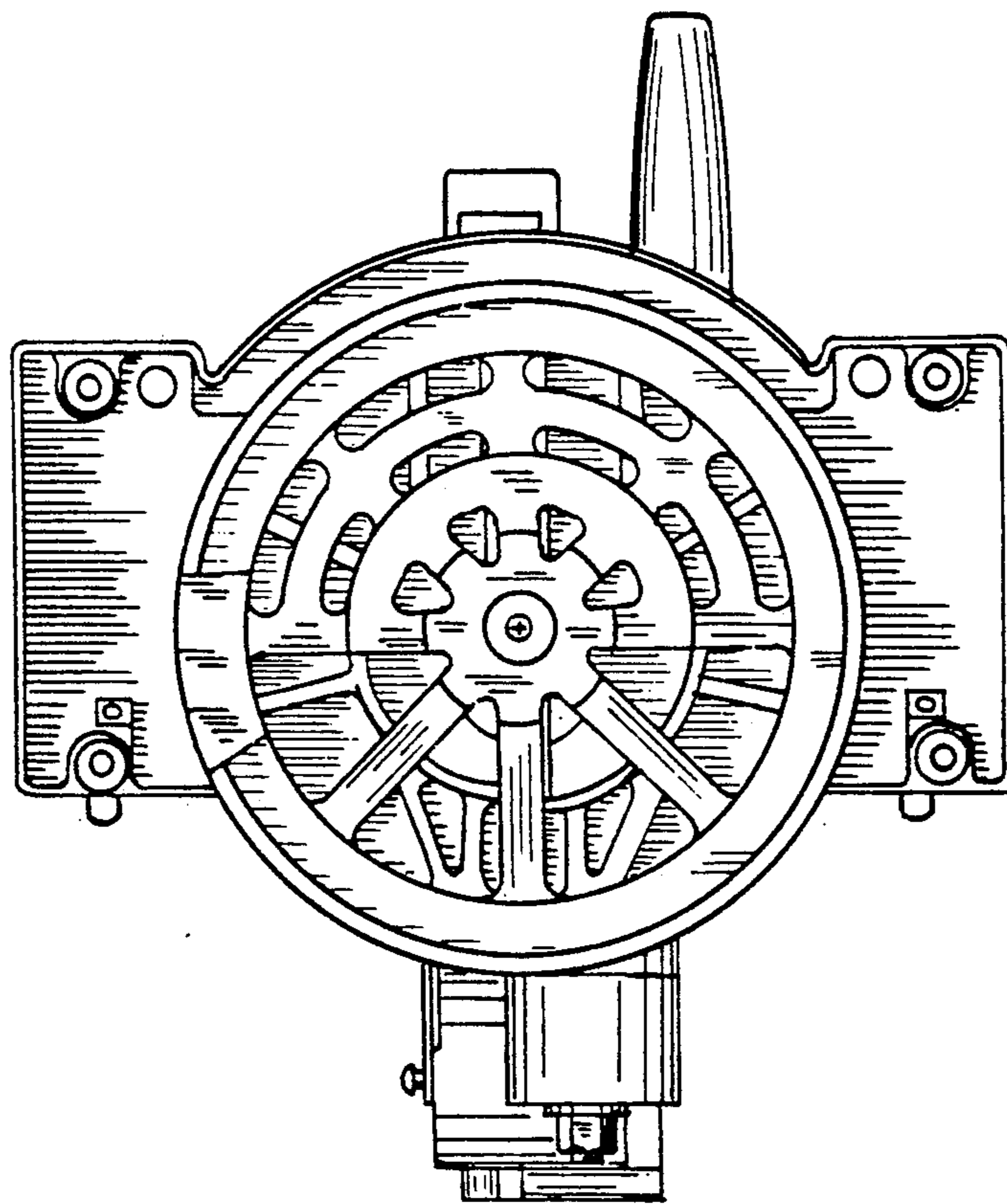


FIG. 4.

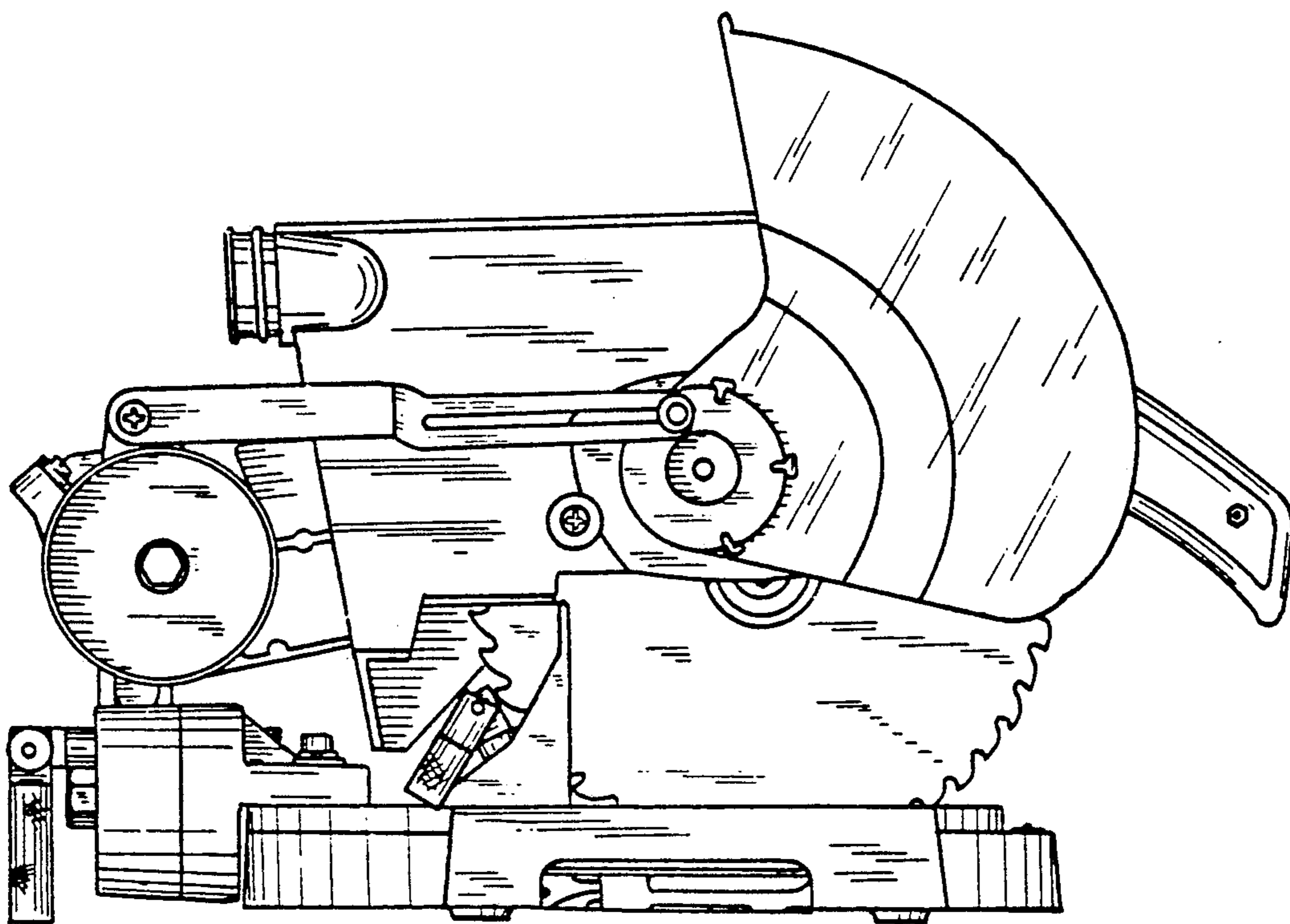


FIG. 5.

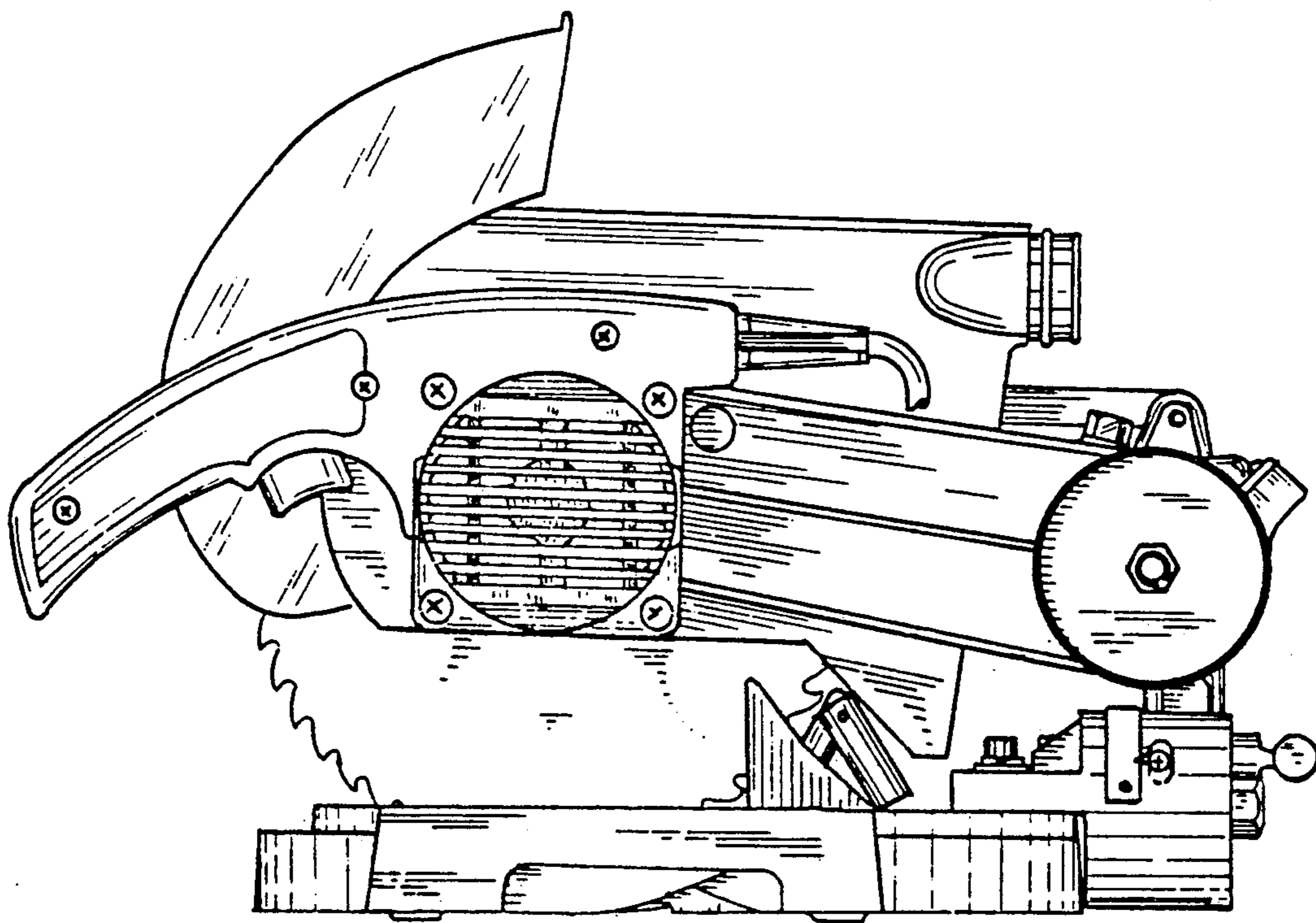


FIG. 6.

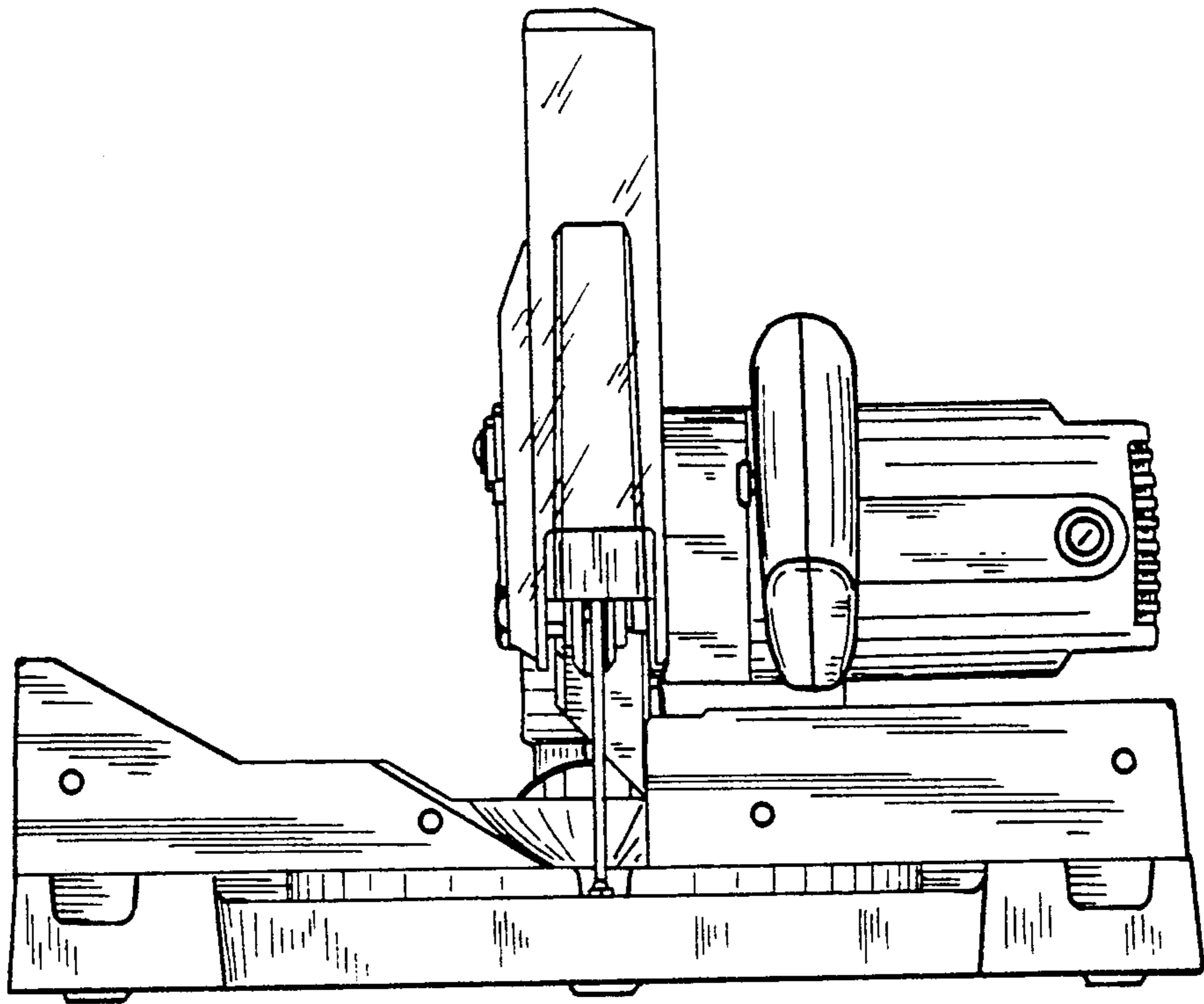


FIG. 7.

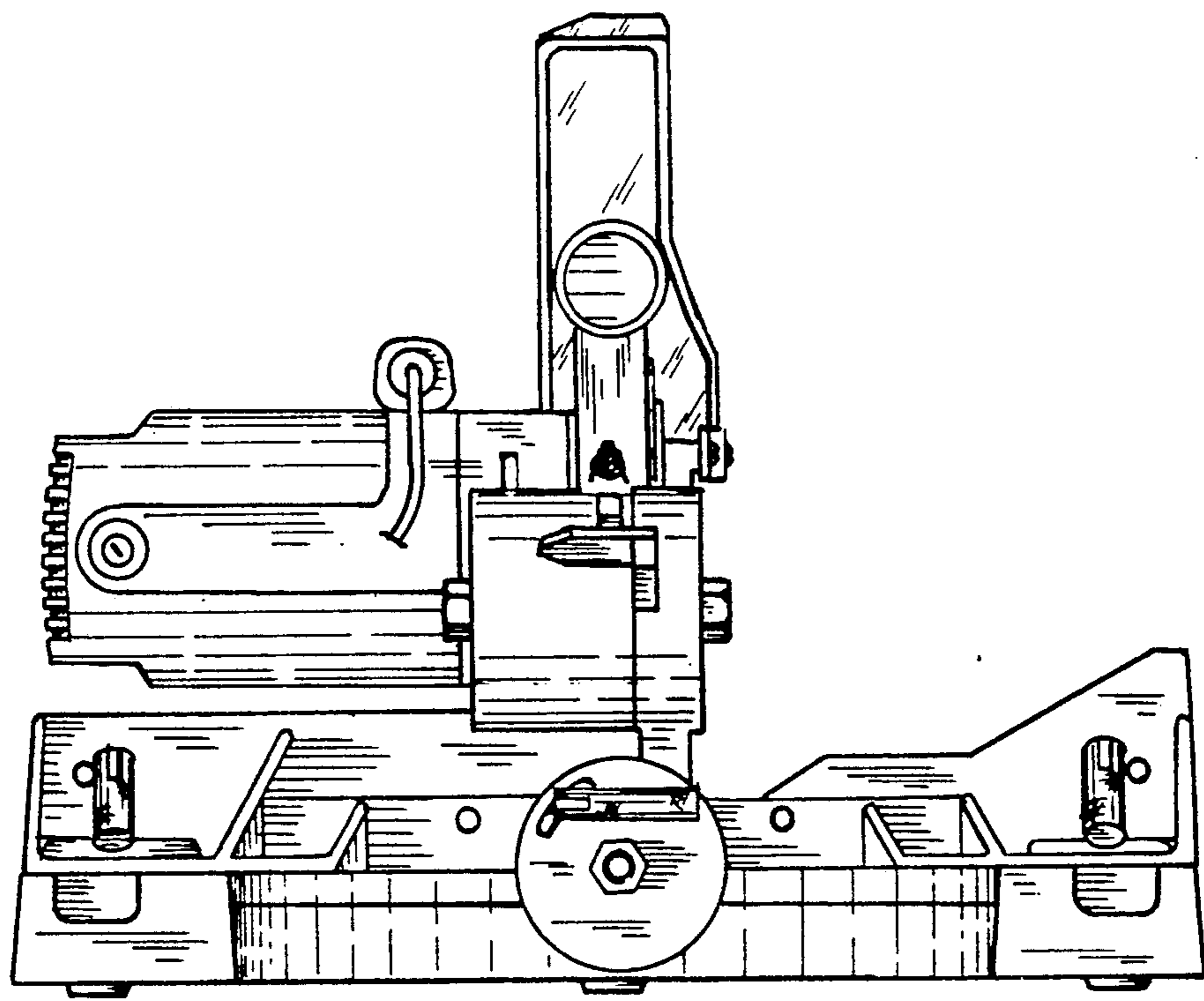


FIG. 8.