



US00D326667S

# United States Patent [19]

[11] Patent Number: **Des. 326,667**

**Juang**

[45] Date of Patent: **\*\* Jun. 2, 1992**

[54] **PLANER OR SIMILAR ARTICLE**

4,660,609 4/1987 Miller, Jr. .... 144/114 R X

[76] Inventor: **Boy Y. Juang**, 88-10, Tung-Ping Rd.,  
Taiping Hsiang, Taichung Hsien,  
Taiwan

*Primary Examiner*—Donald P. Walsh  
*Assistant Examiner*—Antoine D. Davis  
*Attorney, Agent, or Firm*—Ladas & Parry

[\*\*] Term: **14 Years**

[57] **CLAIM**

[21] Appl. No.: **318,353**

The ornamental design for planer or similar article, as shown and described.

[22] Filed: **Mar. 2, 1989**

**DESCRIPTION**

[52] U.S. Cl. .... **D15/127**

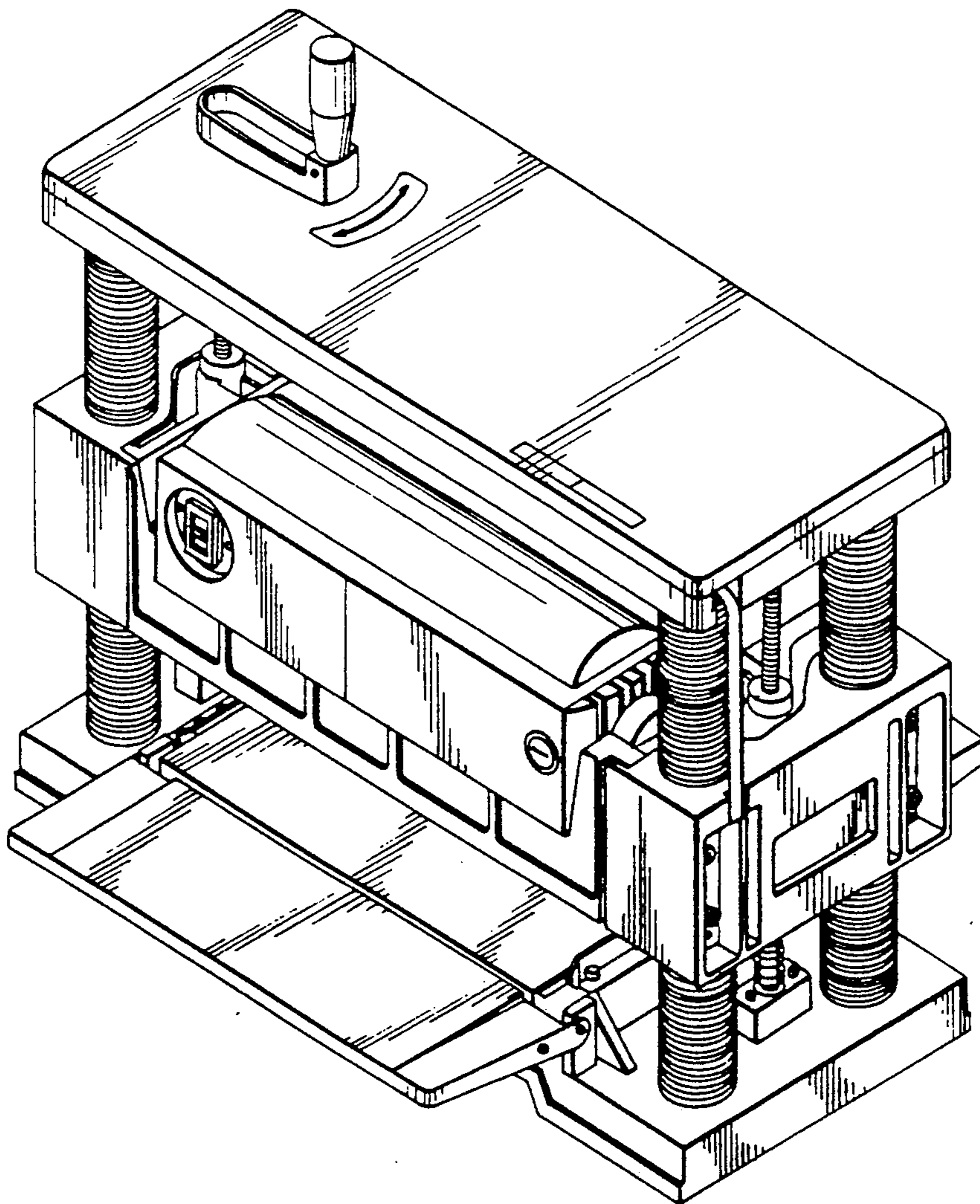
[58] Field of Search .... **D15/127, 133;**  
**144/114 R, 117 R**

FIG. 1 is a top, front and right side elevational view of a planer or similar article showing my new design; FIG. 2 is a front elevational view; FIG. 3 is a rear elevational view; FIG. 4 is a left side elevational view; FIG. 5 is a right side elevational view; FIG. 6 is a top plan view; and, FIG. 7 is a bottom plan view thereof. FIGS. two through seven of the planer have been drawn on an enlarged scale.

[56] **References Cited**

**U.S. PATENT DOCUMENTS**

- D. 285.083 8/1986 Miyamoto ..... D15/127
- D. 285.448 9/1986 Hashii ..... D15/127
- D. 311.192 10/1990 Juang ..... D15/127
- 4,485.859 12/1984 Krogstad et al. .... 144/114 R X



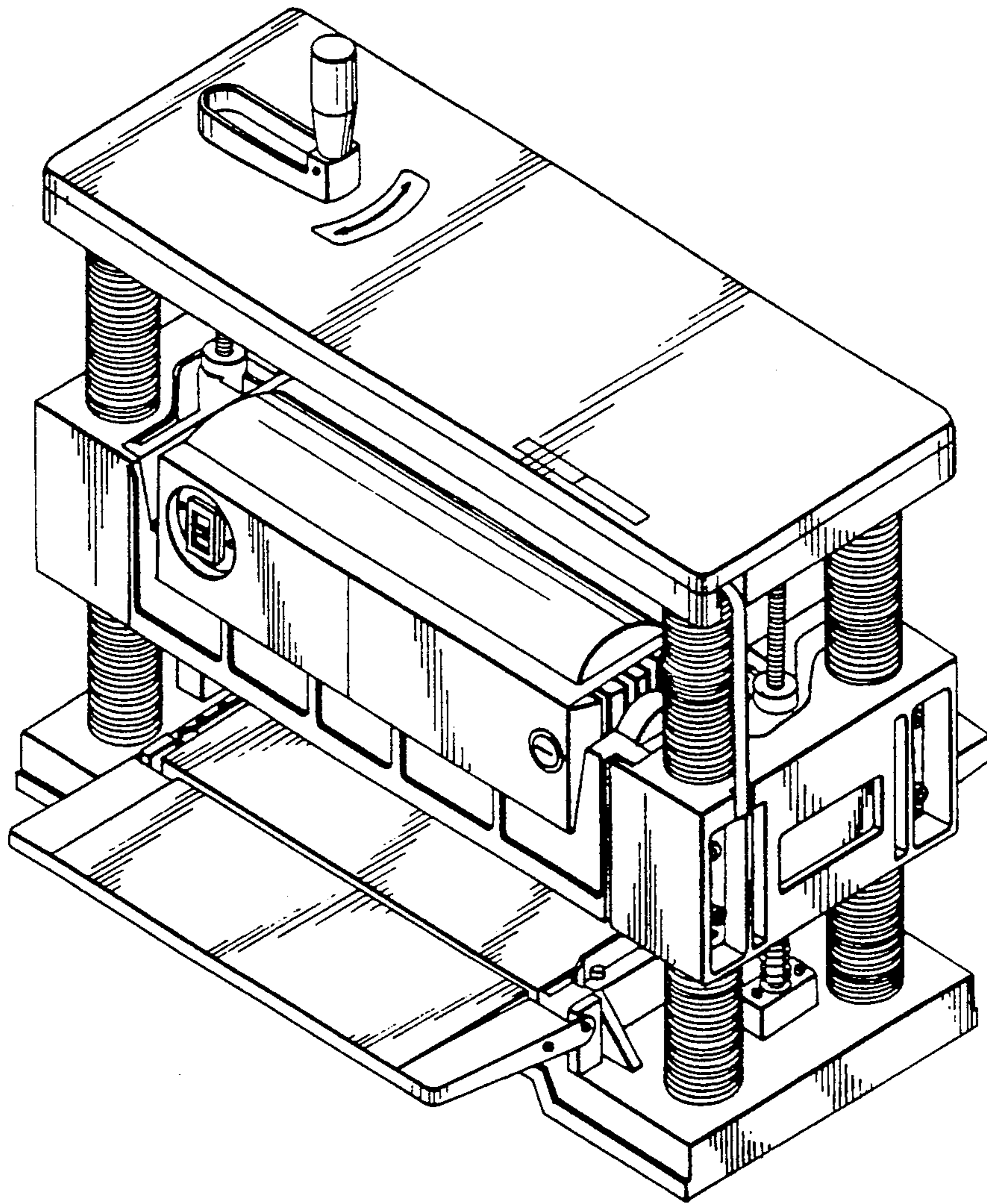


FIG. 1

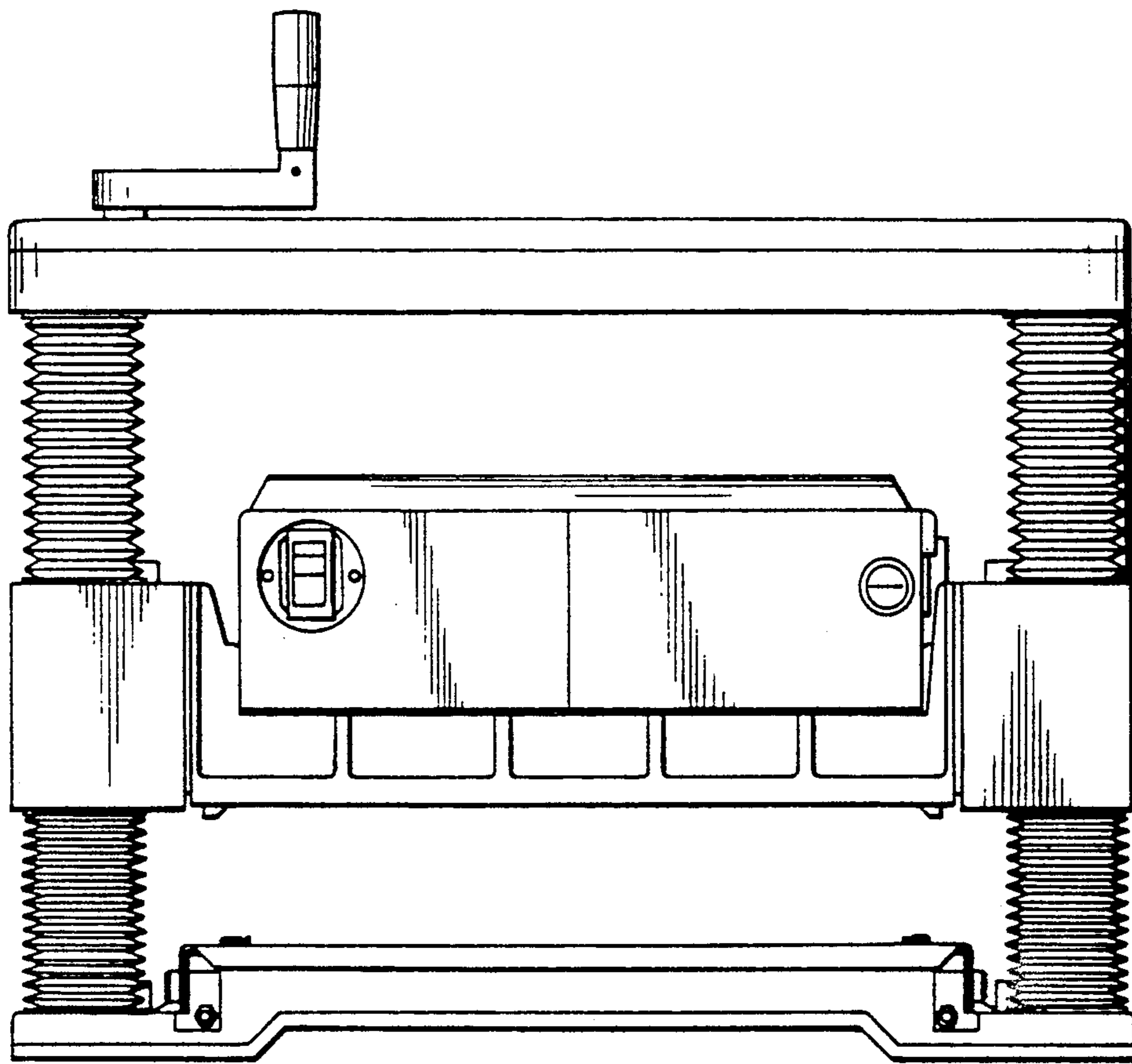


FIG. 2



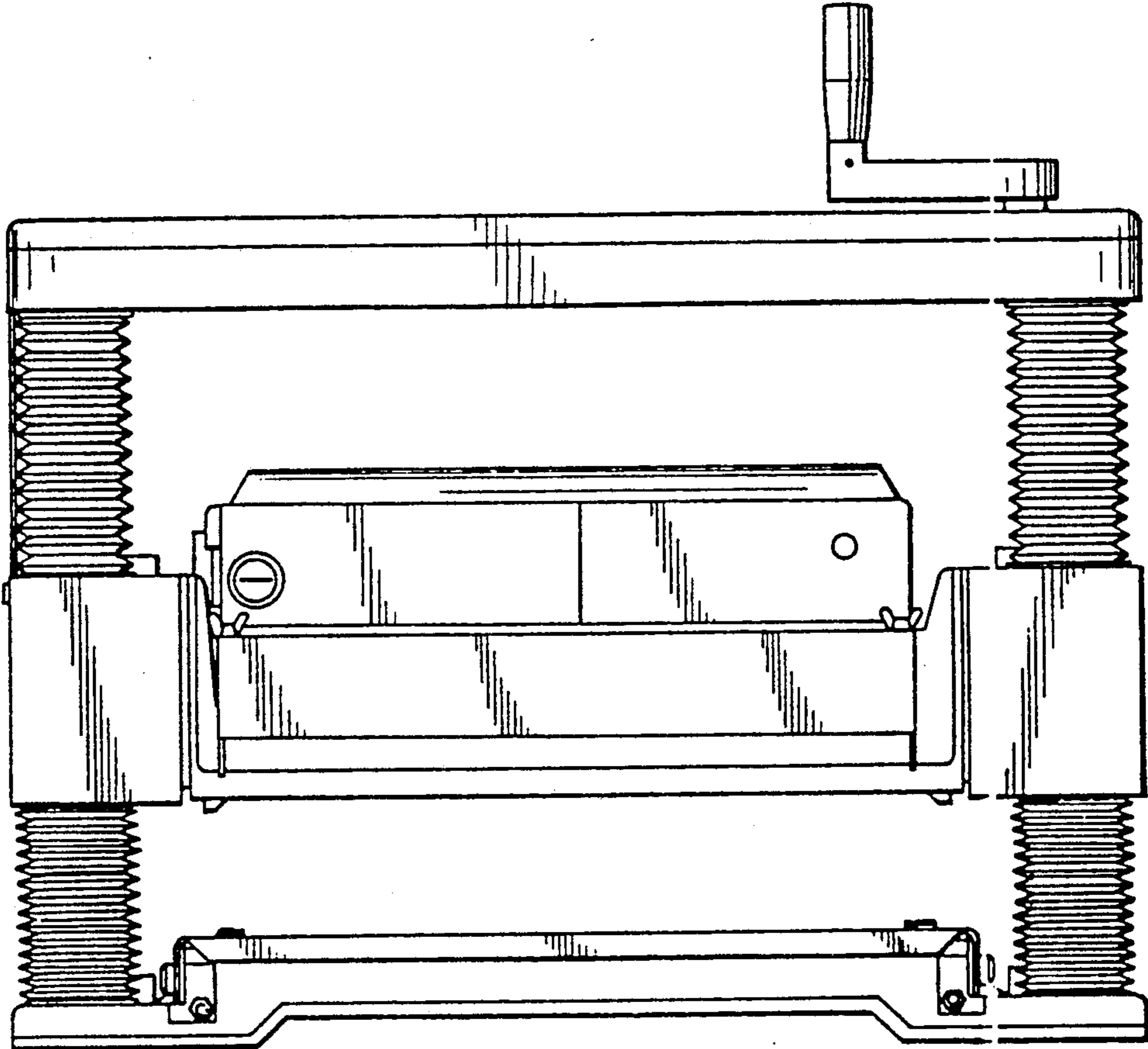


FIG. 3

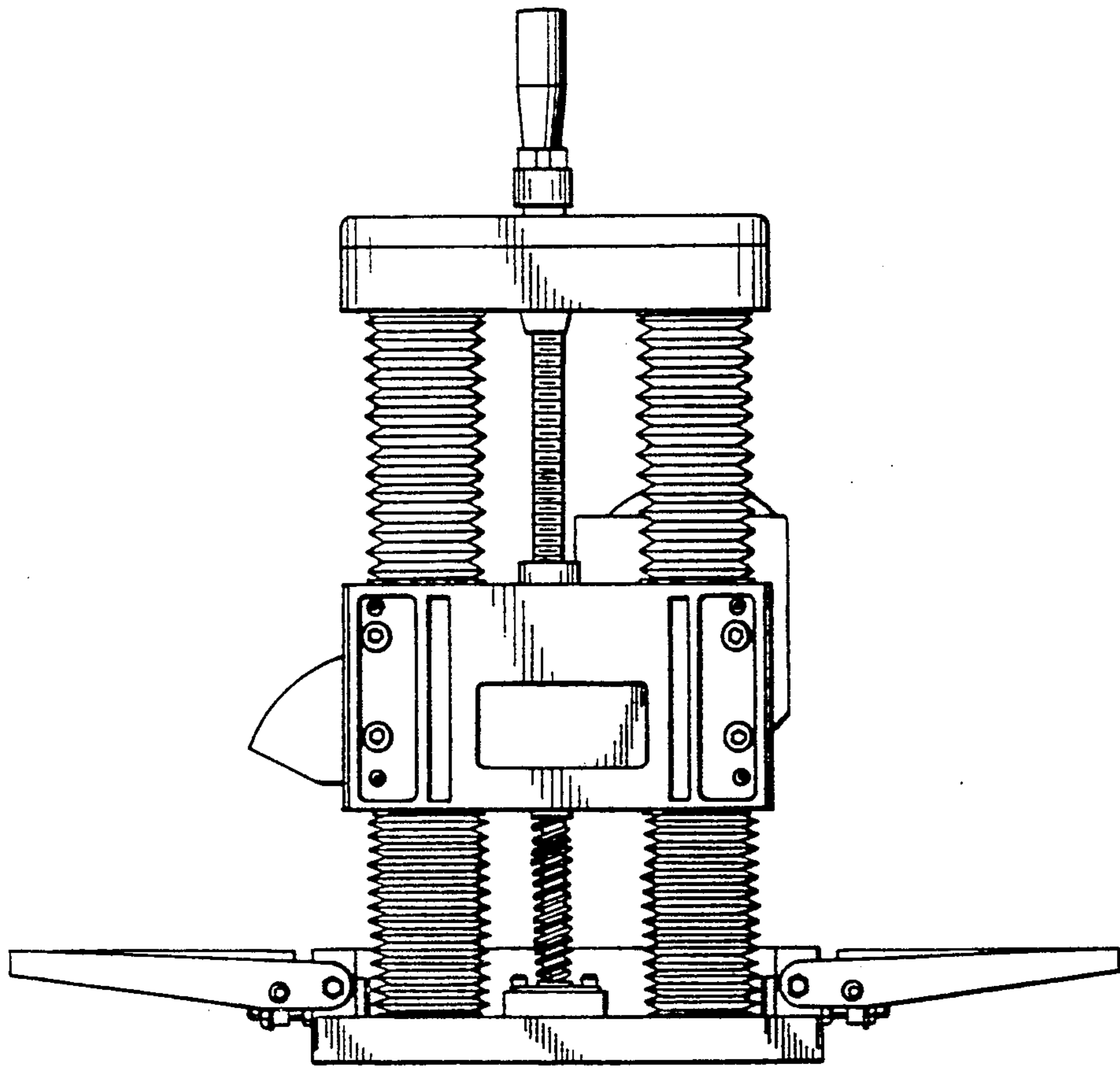


FIG. 4

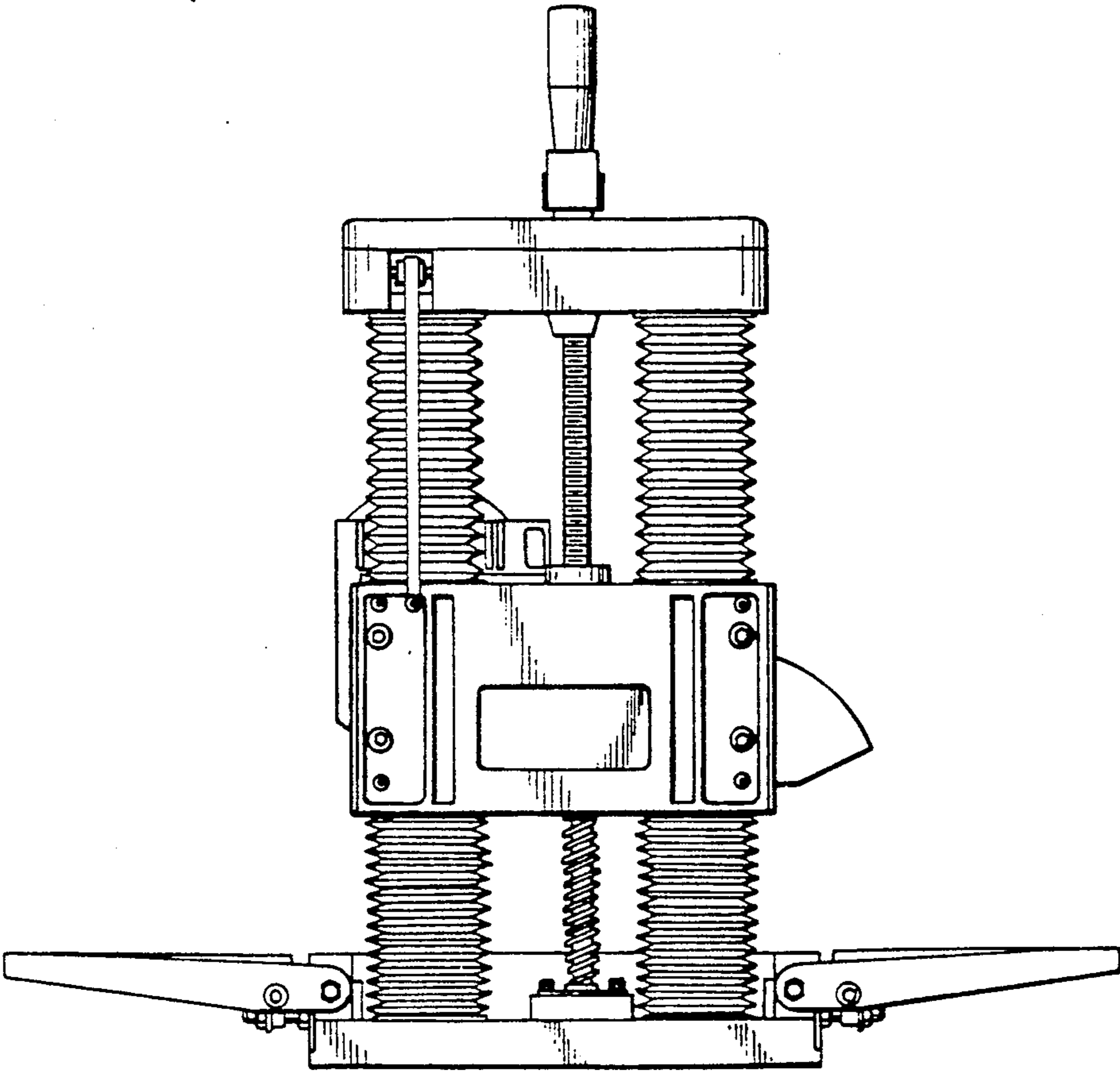


FIG. 5

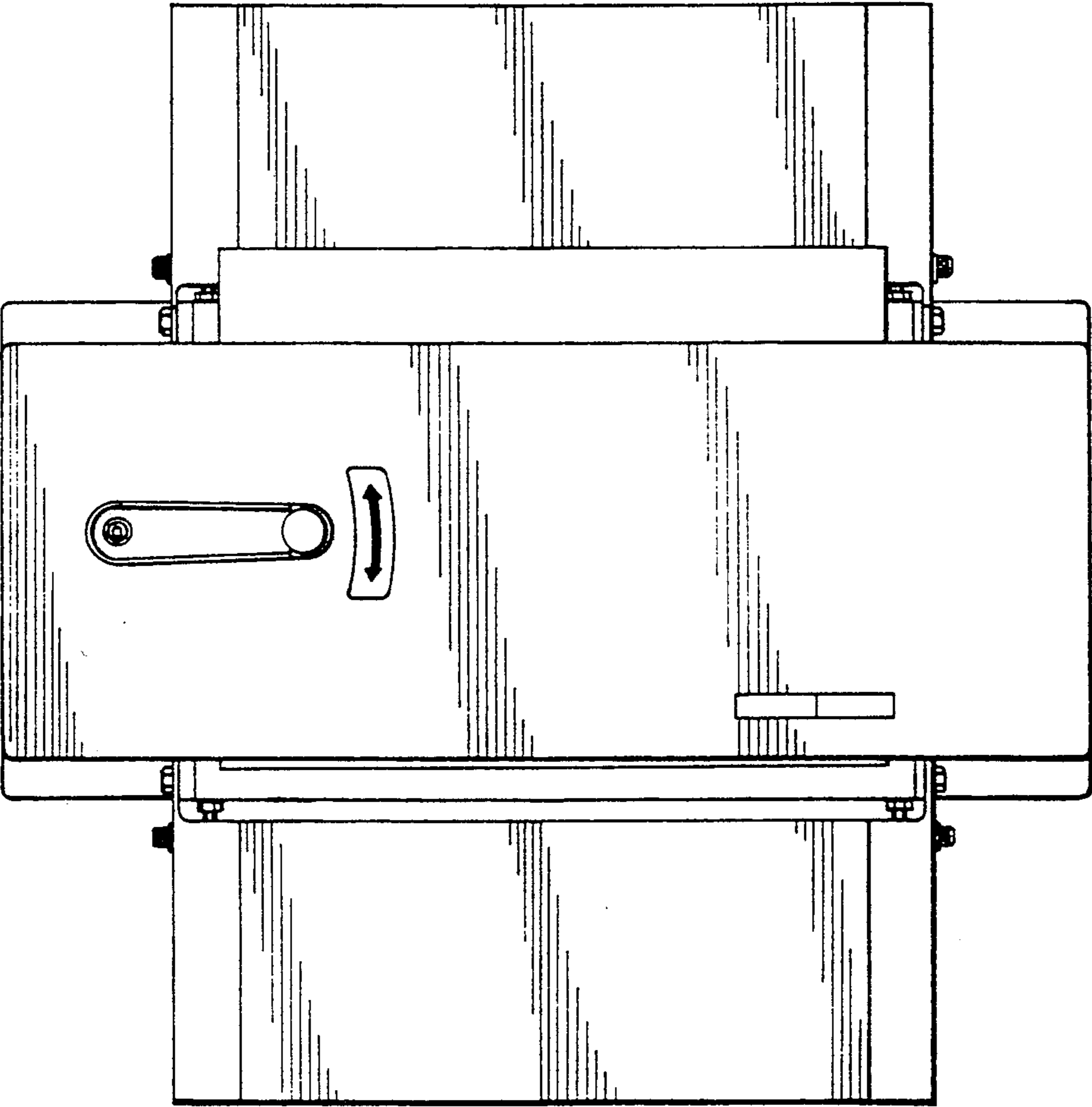


FIG. 6

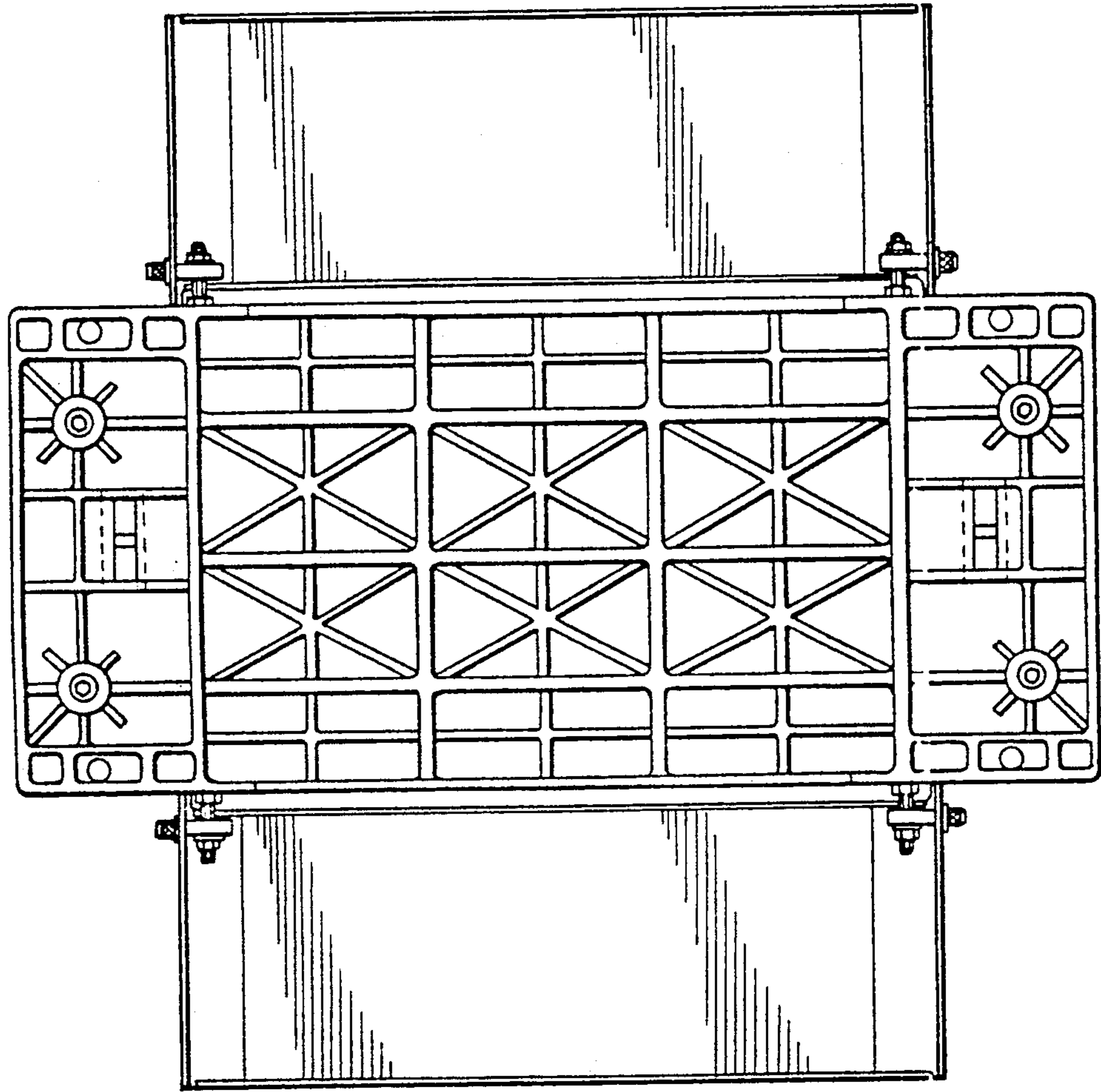


FIG. 7