



US00D326665S

United States Patent [19]

Greenburg et al.

[11] Patent Number: **Des. 326,665**

[45] Date of Patent: **** Jun. 2, 1992**

[54] LOG SPLITTER

4,770.218 9/1988 Duerr 144/193 A
4,782.870 11/1988 Duerr 144/193 R X

[75] Inventors: **Michael K. Greenburg**, Wheatridge;
Randall E. Toler, Littleton, both of
Colo.

Primary Examiner—Donald P. Walsh
Assistant Examiner—Antoine D. Davis
Attorney, Agent, or Firm—Fields, Lewis, Pittenger &
Rost

[73] Assignee: **Special Products Company**, Golden,
Colo.

[**] Term: **14 Years**

[57] CLAIM

[21] Appl. No.: **357,877**

The ornamental design for a log splitter, as shown and
described.

[22] Filed: **May 30, 1989**

DESCRIPTION

[52] U.S. Cl. **D15/127**

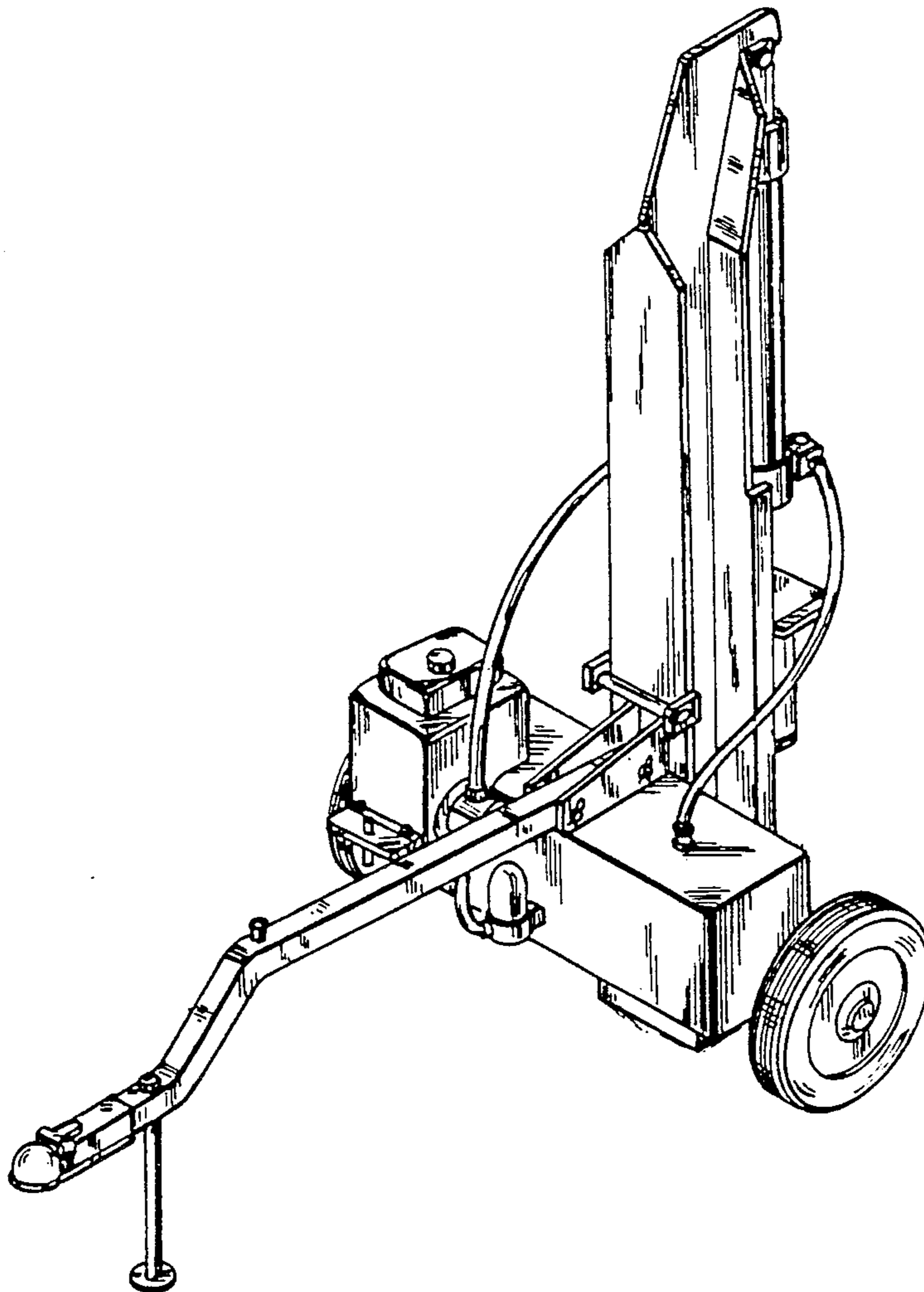
[58] Field of Search **D15/127, 199;**
144/193 R, 193 A, 193 H, 193 K

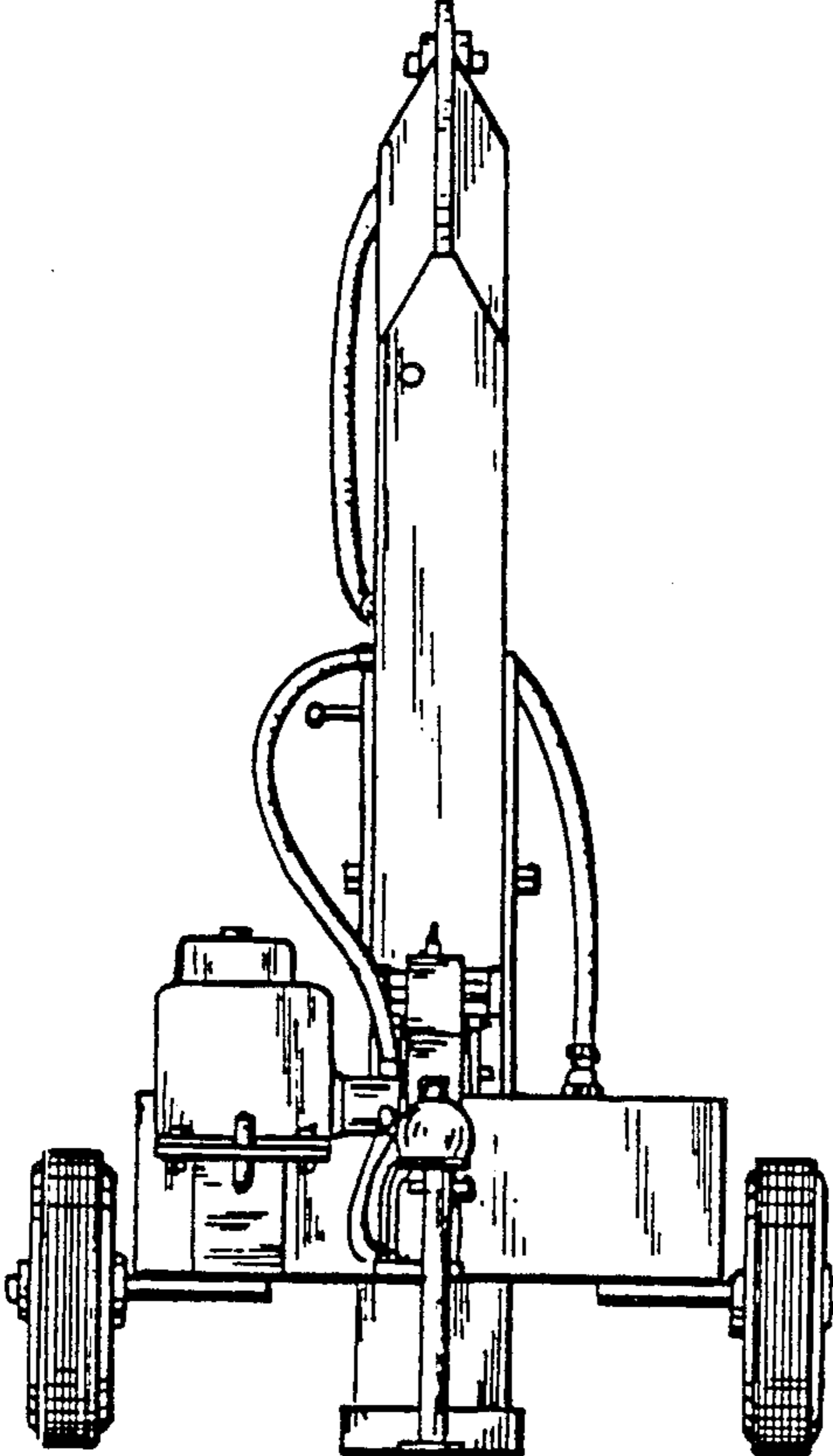
FIG. 1 is a right side elevational view of a log splitter
showing our new design;
FIG. 2 is a rear elevational view;
FIG. 3 is a front elevational view;
FIG. 4 is a left side elevational view;
FIG. 5 is a top plan view;
FIG. 6 is a bottom plan view;
FIG. 7 is a top, front and right perspective; and,
FIG. 8 is a bottom, rear and left side perspective view
thereof.

[56] References Cited

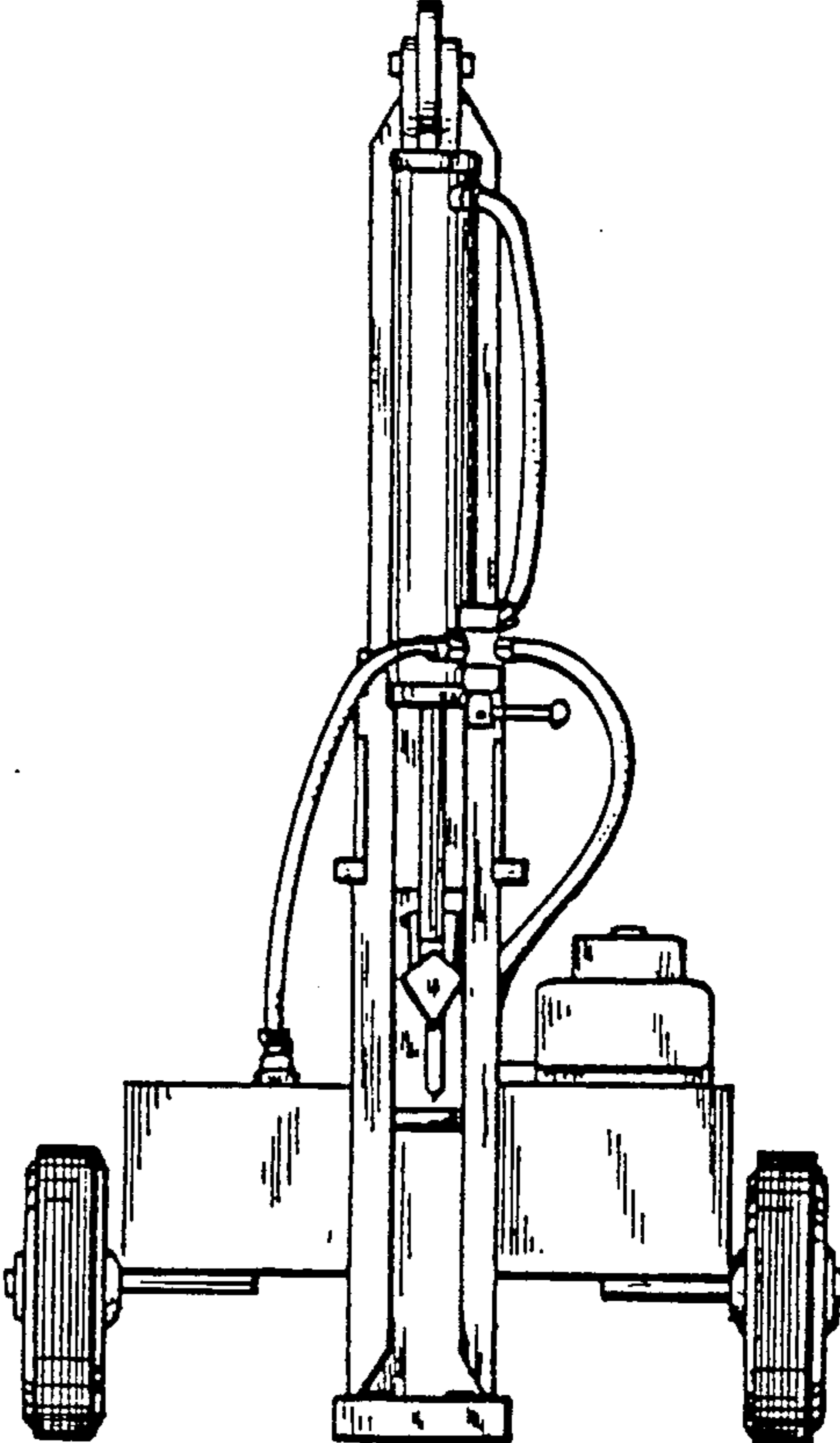
U.S. PATENT DOCUMENTS

- D. 253.654 12/1979 Davis D15/127
- 4,377.190 3/1983 Pierrat D15/127 X
- 4,380.258 4/1983 Hanser 144/193 A
- 4,700.759 10/1987 Duerr 144/193 A

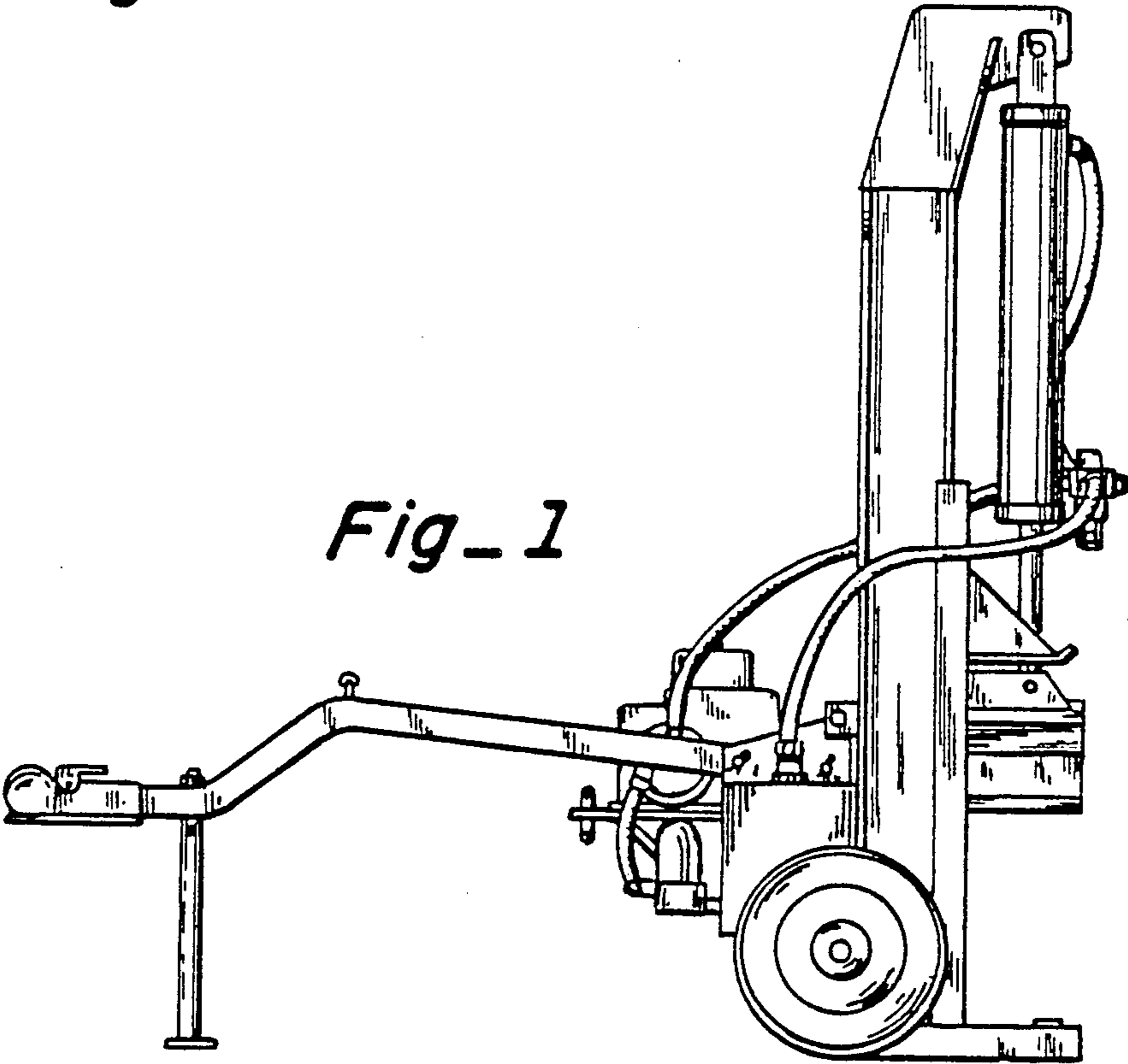




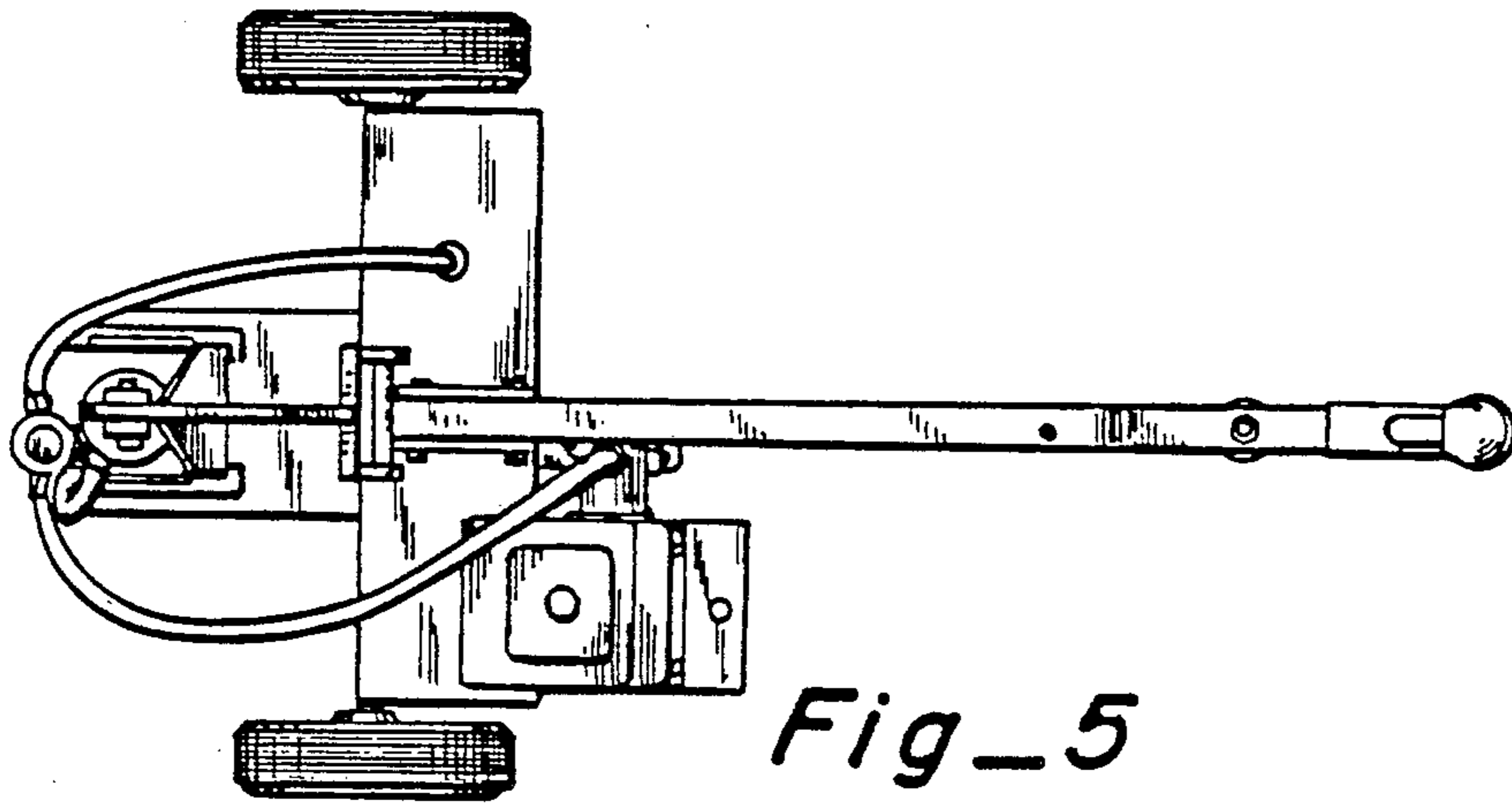
Fig_3



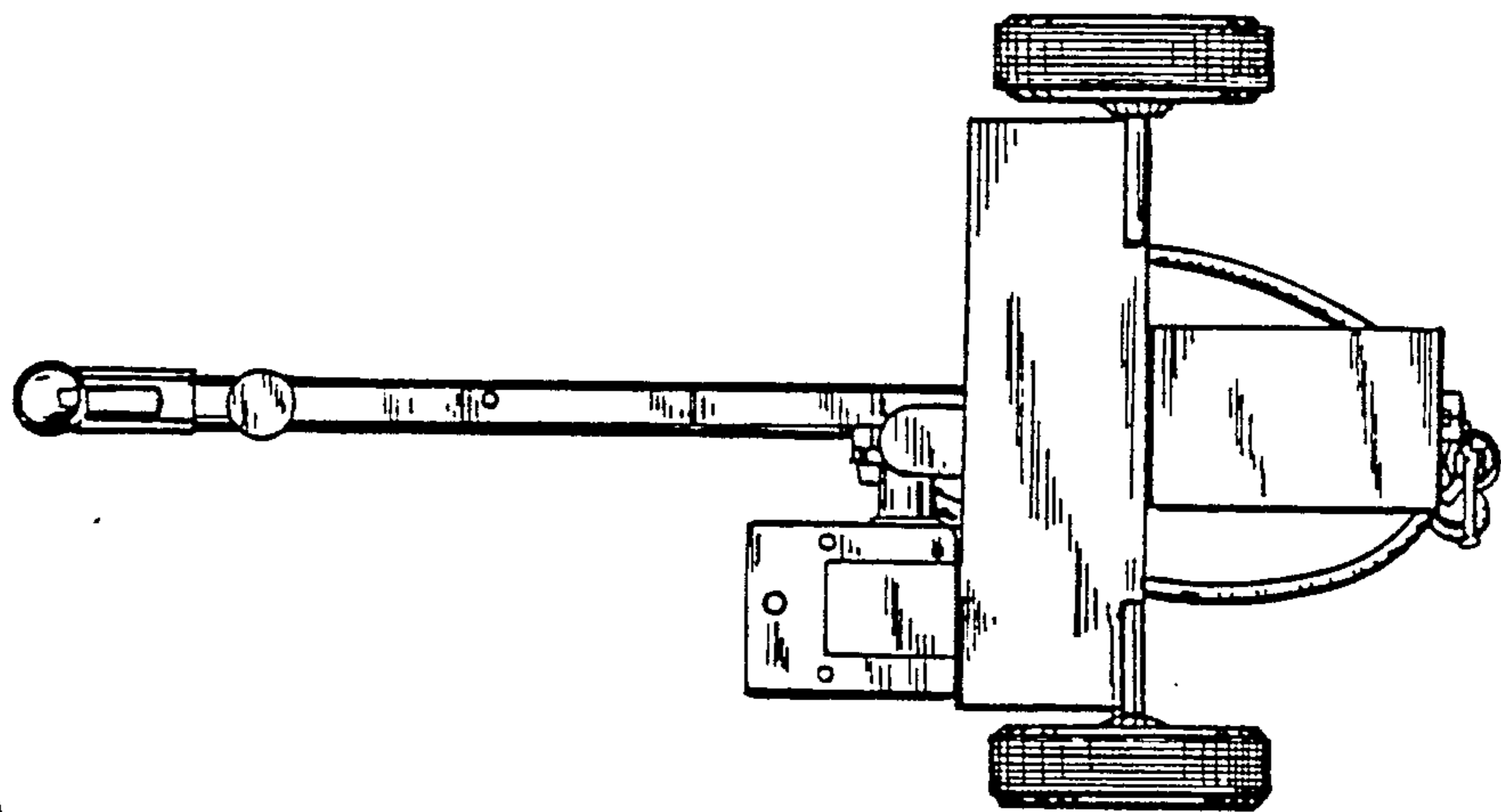
Fig_2



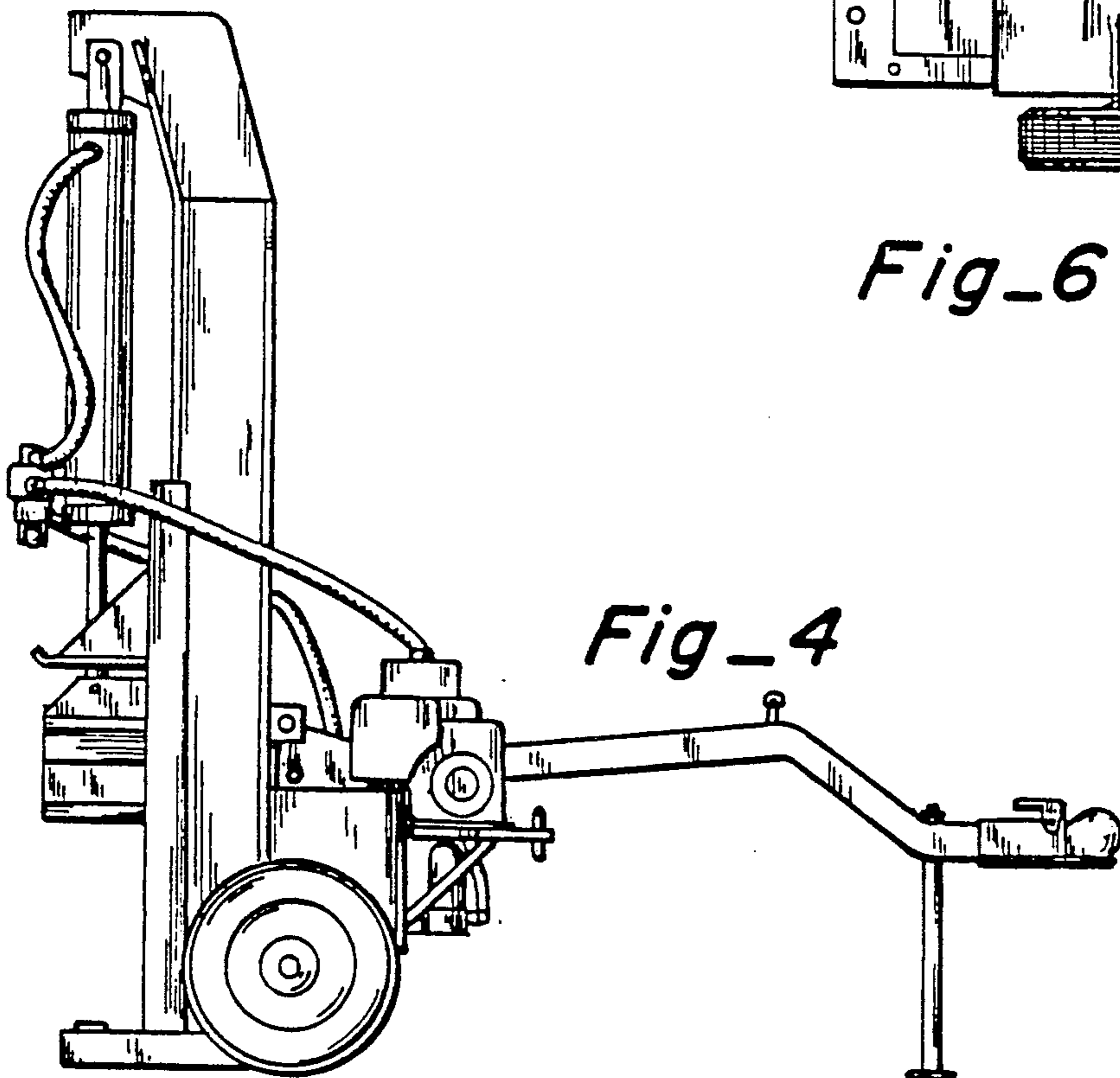
Fig_1



Fig_5



Fig_6



Fig_4

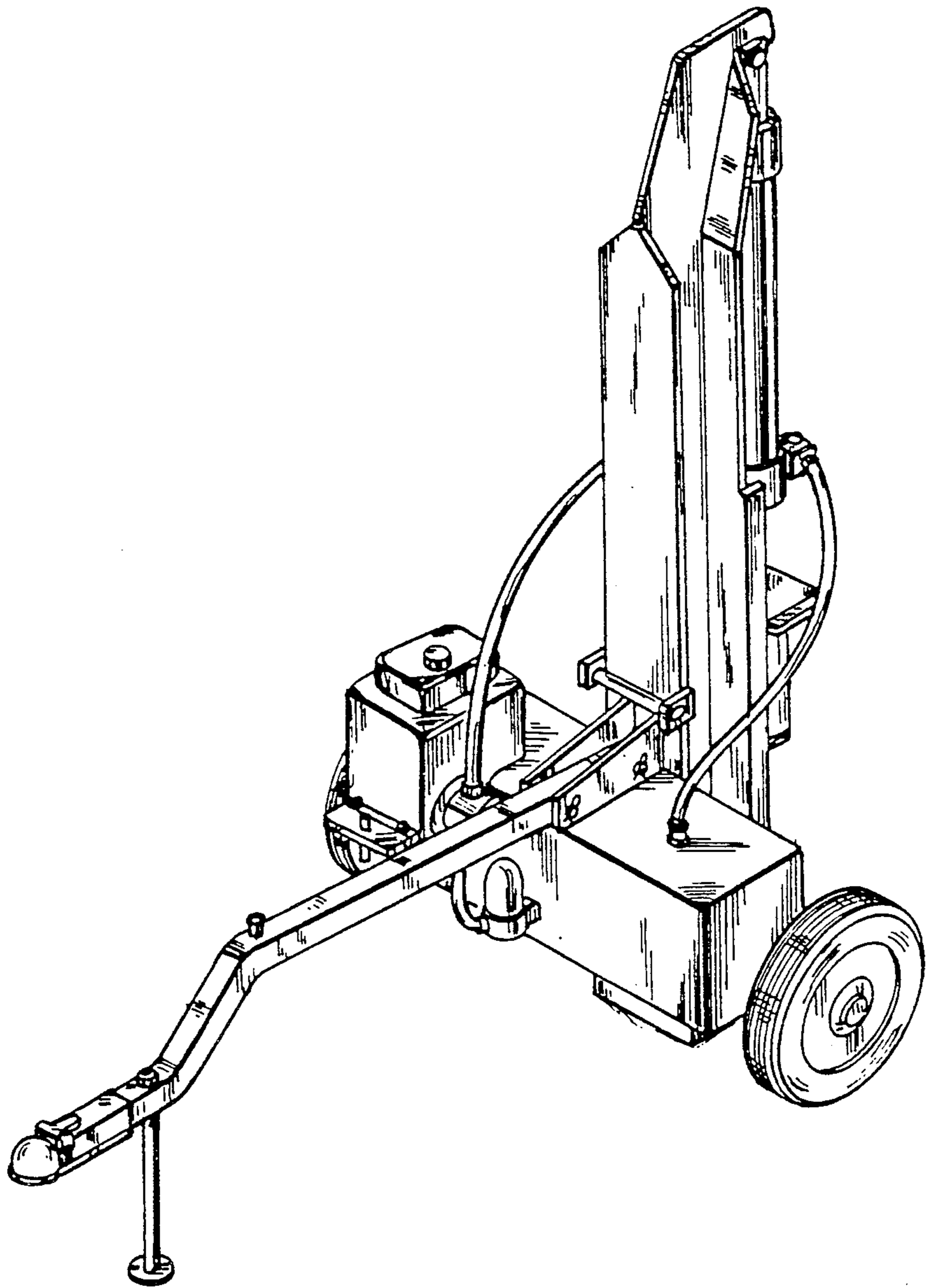


Fig - 7

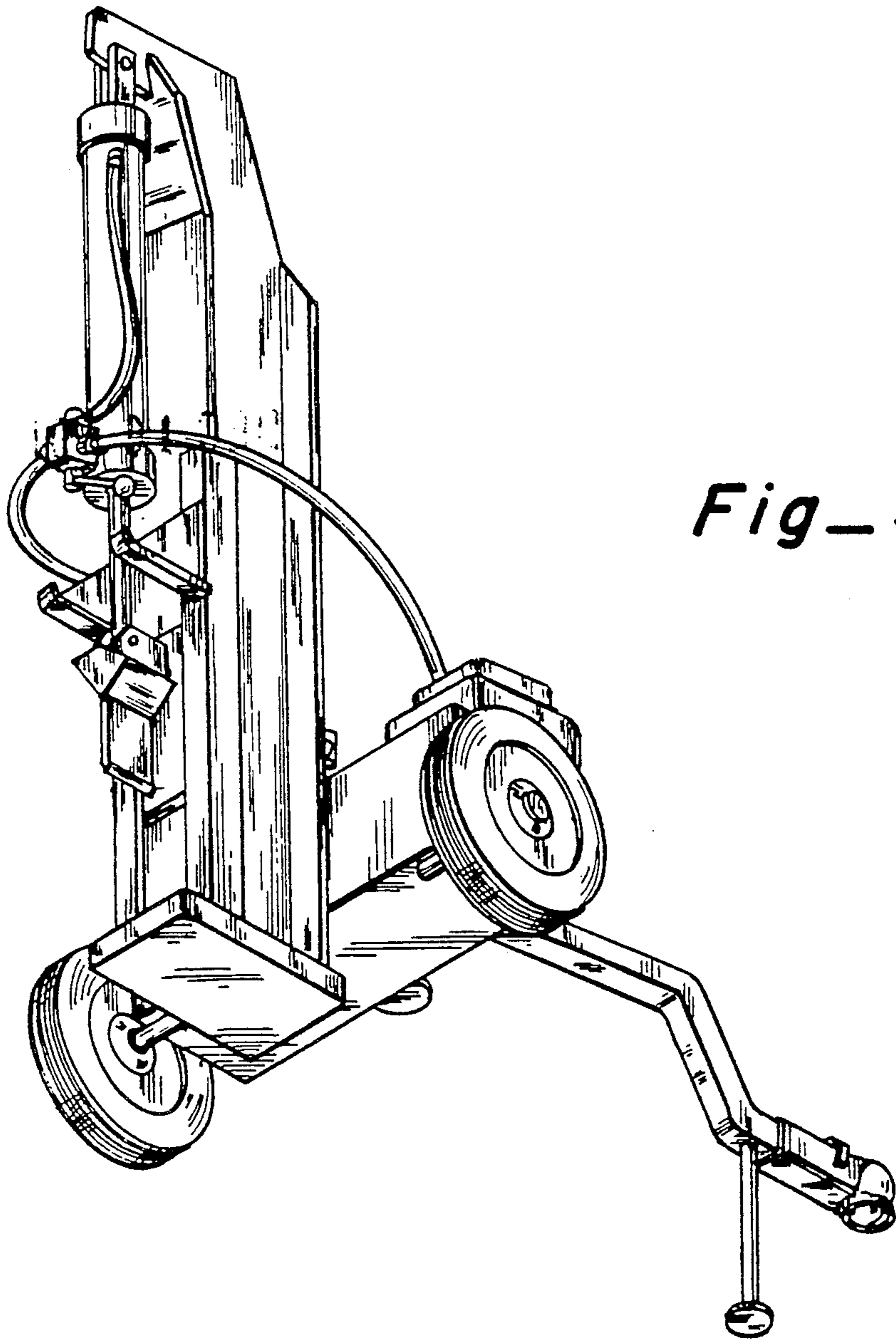


Fig-8