



US00D32662S

# United States Patent [19]

[11] Patent Number: Des. 326,662

Holm et al.

[45] Date of Patent: \*\* Jun. 2, 1992

## [54] INSTRUMENT PANEL

[75] Inventors: David R. Holm, Oconomowoc; David A. Westimayer, Horicon, both of Wis.; William E. Crookes, Waldwick, N.J.; Daniel R. Nickles, Monroe, N.Y.

[73] Assignee: Deere & Company, Moline, Ill.

[\*\*] Term: 14 Years

[21] Appl. No.: 533,723

[22] Filed: Jun. 5, 1990

[52] U.S. Cl. .... D15/17

[58] Field of Search ..... D15/10, 14-17, D15/28; 56/13.4, 16.7, 17.5, 20.2, 255, 294, 295, 320.1, 320.2; 180/89.1, 89.12, 900

## [56] References Cited

### U.S. PATENT DOCUMENTS

- D. 248,397 7/1978 Cognata et al. .... D15/15
- D. 310,374 9/1990 Westimayer et al. .... D15/15

## OTHER PUBLICATIONS

Toro Yard Work Catalog, p. 12, center picture.  
Ford/New Holland Riding Mowers Catalog, p. 8, bottom picture.  
Author—Deere & Company; Title—John Deere Lawn Tractors—100 Series; 8 pages; Published—Dec. 1989 in U.S.A.

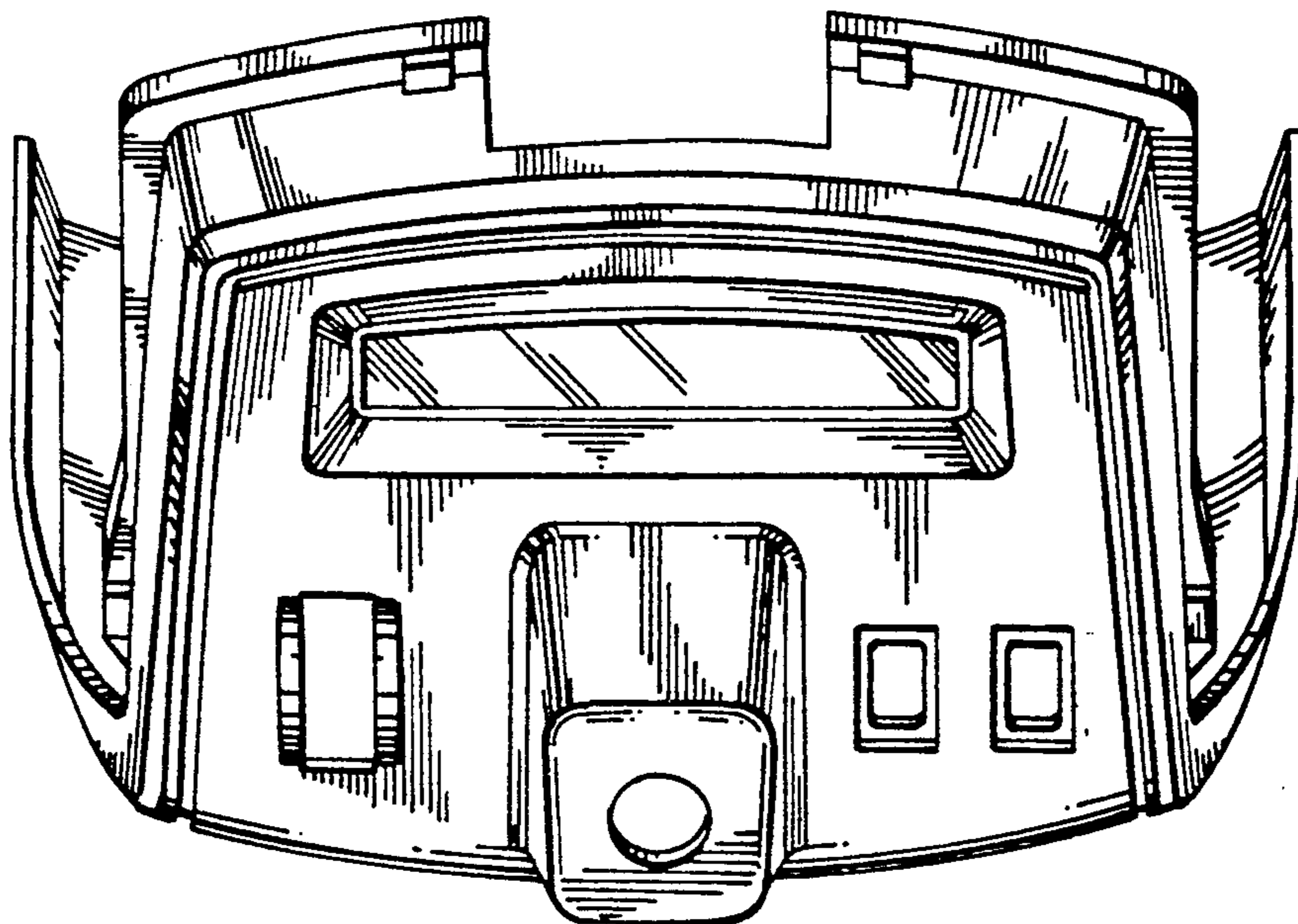
Primary Examiner—Bernard Ansher  
Assistant Examiner—Sandra Morris

## [57] CLAIM

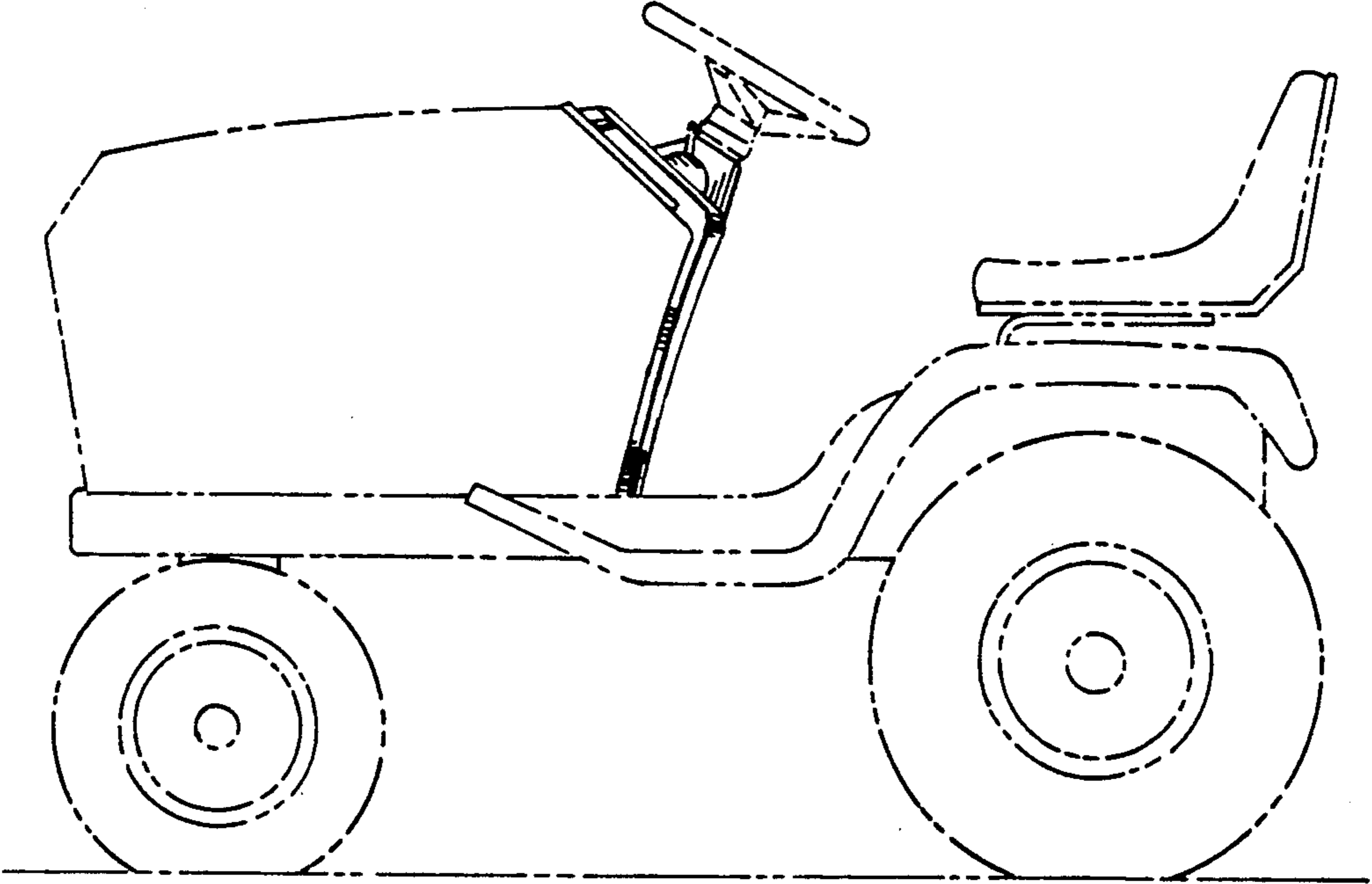
The ornamental design for an instrument panel, as shown and described.

## DESCRIPTION

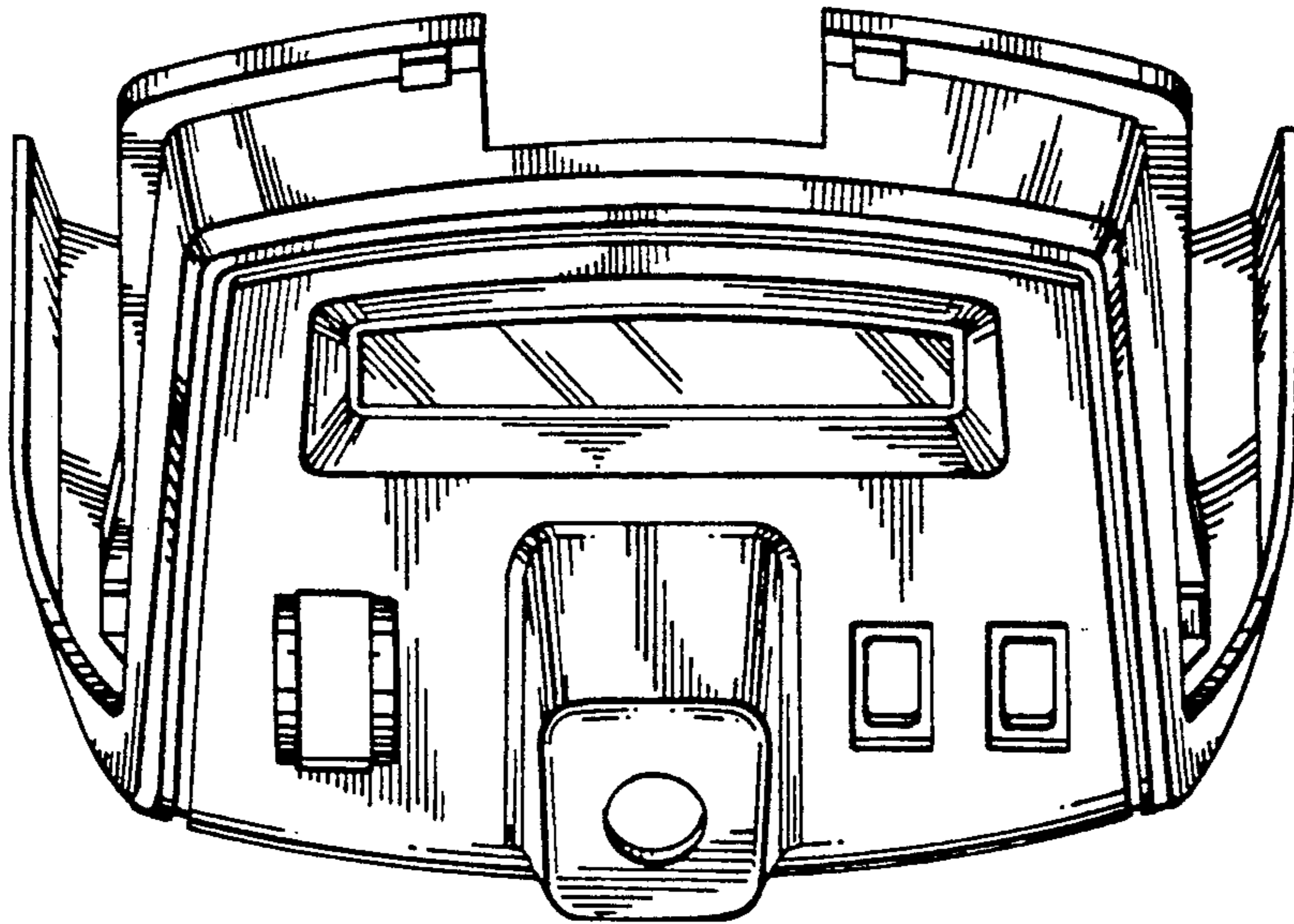
FIG. 1 is a right side elevational view of an instrument panel, showing our new design, the broken line showing a tractor is for illustrative purposes only, and forms no part of the claimed design;  
FIG. 2 is a top plan view thereof;  
FIG. 3 is a bottom plan view thereof;  
FIG. 4 is a left side elevational view thereof; and,  
FIG. 5 is a right side elevational view thereof.



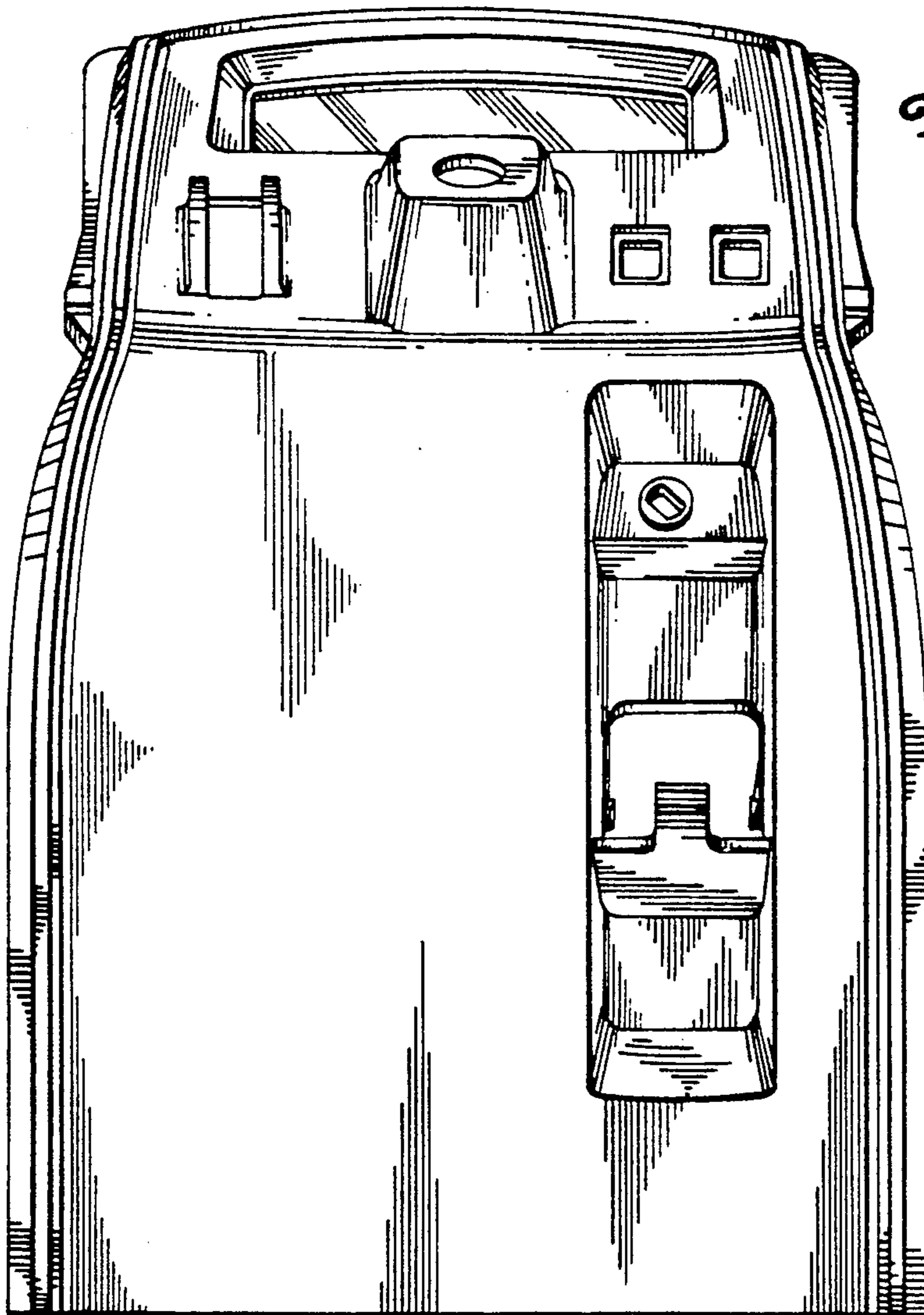
*Fig. 1*

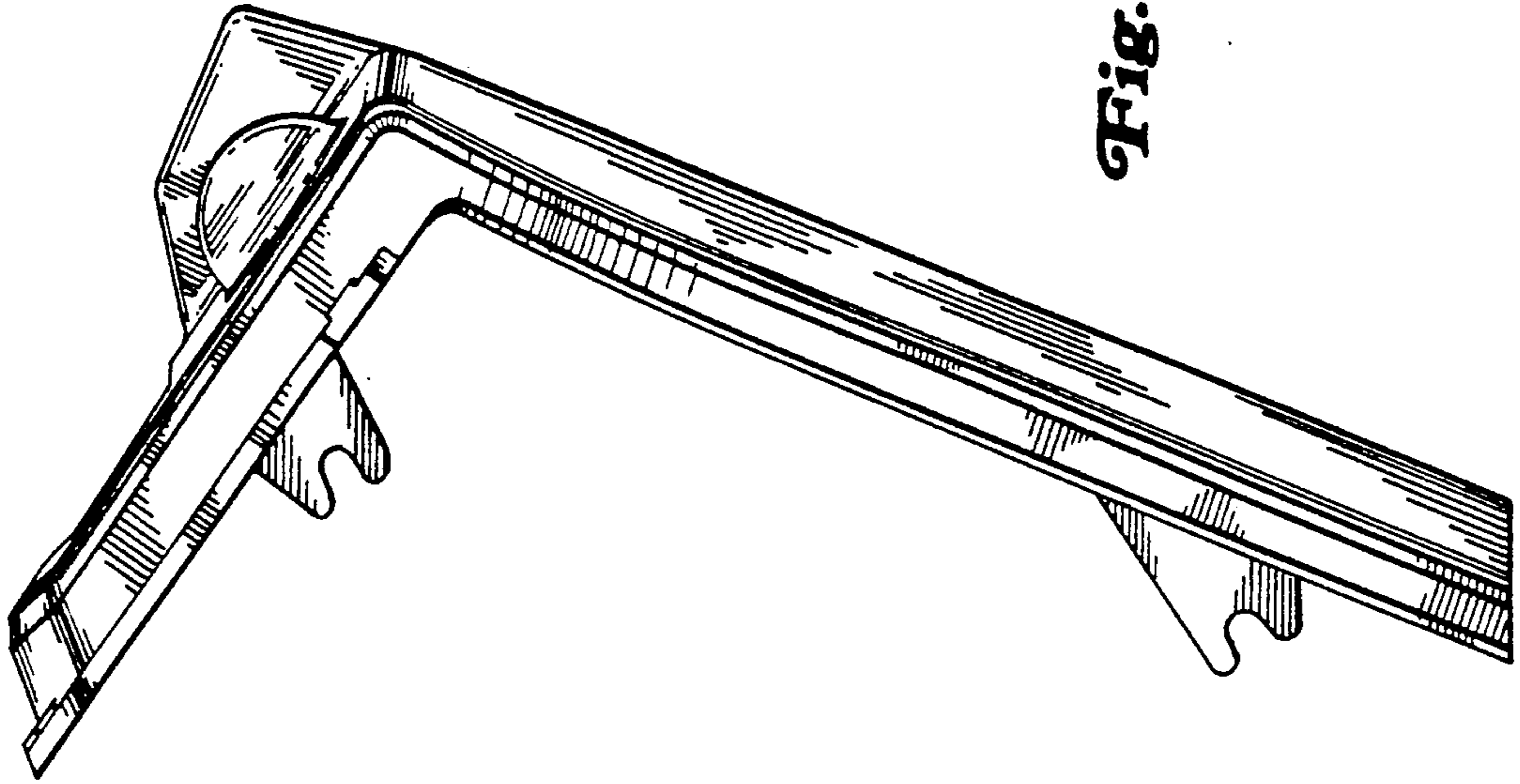


*Fig. 2*

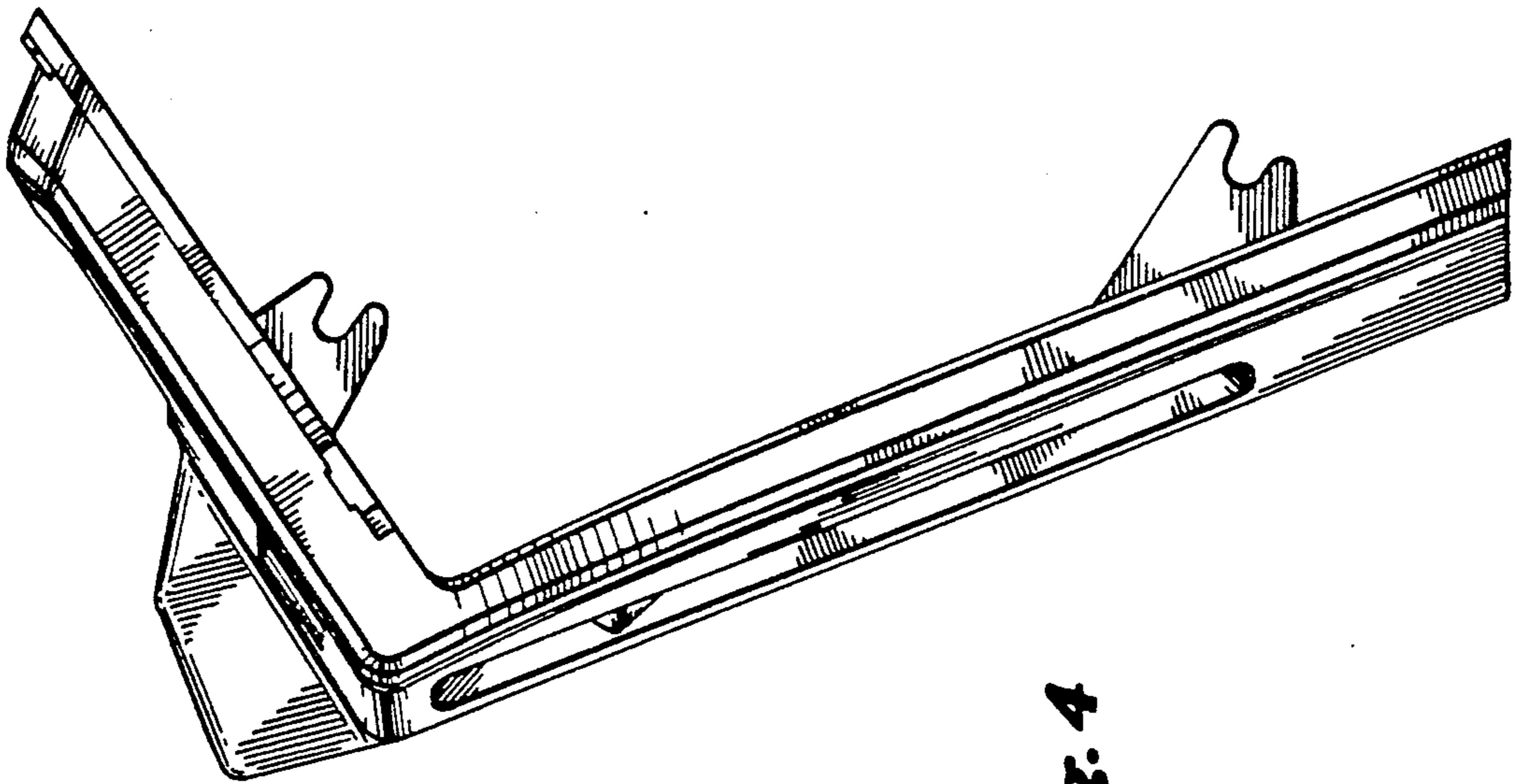


*Fig. 3*





**Fig. 5**



**Fig. 4**