



US00D326660S

United States Patent [19]

[11] Patent Number: **Des. 326,660**

Flenniken et al.

[45] Date of Patent: **** Jun. 2, 1992**

[54] **SIDE QUADRANT**

[75] Inventors: **John M. Flenniken**, Beaver Dam, Wis.; **William E. Crookes**, Waldwick, N.J.

[73] Assignee: **Deere & Company**, Moline, Ill.

[**] Term: **14 Years**

[21] Appl. No.: **477,101**

[22] Filed: **Feb. 7, 1990**

[52] U.S. Cl. **D15/17**

[58] Field of Search **D15/14-17, D15/28; 56/13.4, 16.7, 17.5, 202, 255, 294, 295, 320.1, 320.2**

Deere & Company, "John Deere Suburban Tractors—FPX-30 and FPX-38", 4 pages, Dec. 1989, USA.
Deere & Company, "John Deere Lawn Tractors—100 Series", 8 pages, Dec. 1989, USA.
Deere & Company, "John Deere Riding Mowers", 16 pages, Dec. 1989, USA.
John Deere Lawn & Garden Tractors, dated Dec. 1987, p. 3, gear on top right.
John Deere Lawn Tractors & Riding Mowers 1983 p. 5, transmission, top center.
Kubota Garden Tractor, p. 2 transmission on tractor, bottom photo.
Ariens Tractors, dated Jul. 25, 1983 p. 3.

Primary Examiner—Bernard Ansher
Assistant Examiner—Sandra Morris

[57] **CLAIM**

The ornamental design for a side quadrant, as shown and described.

DESCRIPTION

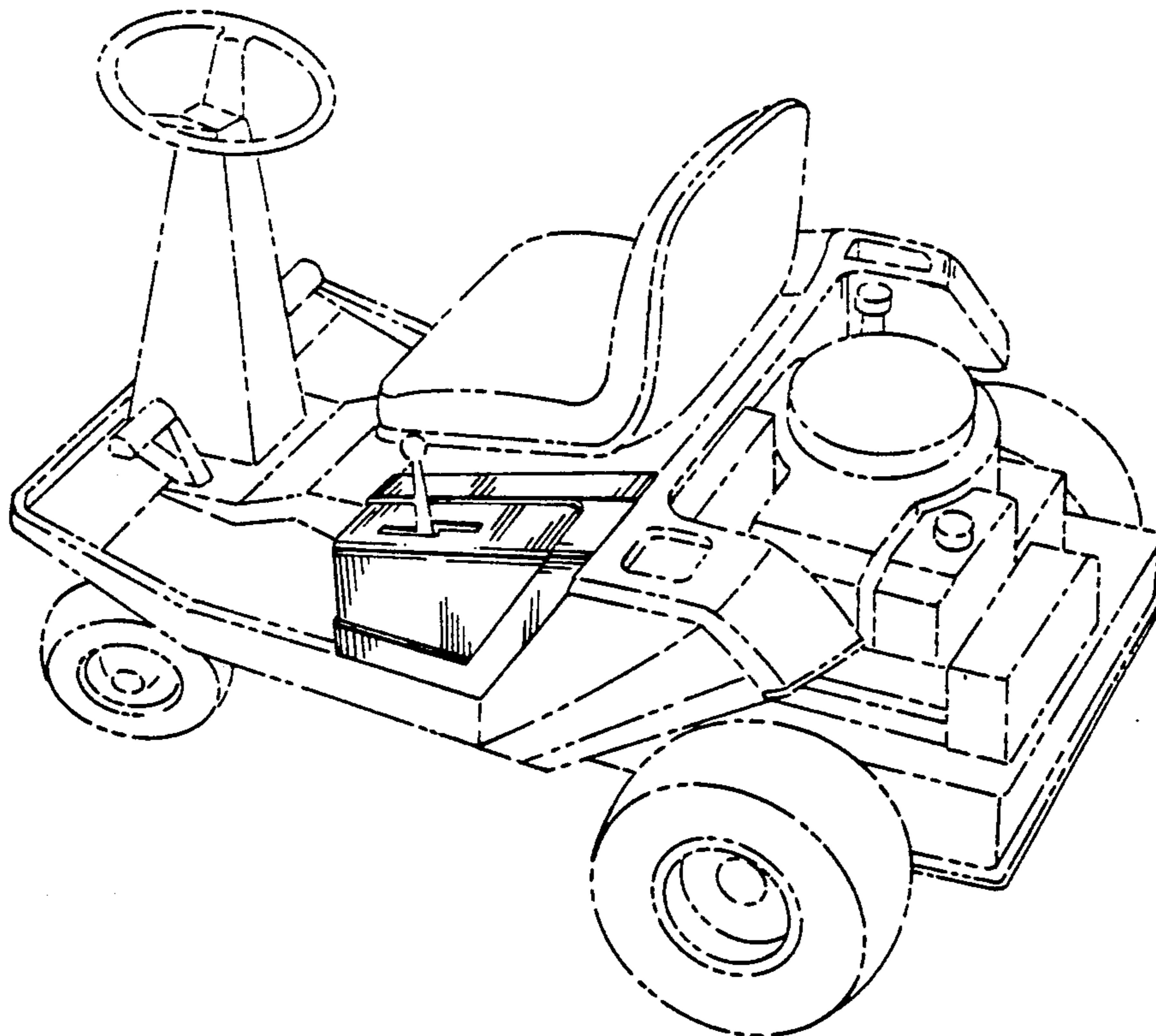
FIG. 1 is a rear perspective view of a side quadrant, showing our new design, the vehicle shown in broken lines is for illustrative purposes only, and forms no part of the claimed design;
FIG. 2 is a front perspective view thereof;
FIG. 3 is a top plan view thereof;
FIG. 4 is a front elevational view thereof; and,
FIG. 5 is a right side elevational view thereof, the left side being plain and unornamented.

[56] **References Cited**
U.S. PATENT DOCUMENTS

D. 192,869 5/1962 Przybylowicz D15/17
D. 285,078 8/1986 Mizushima et al. D15/15

OTHER PUBLICATIONS

Deere & Company, "John Deere Front Mowers", 16 pages, Dec. 1987, USA.
Deere & Company, "John Deere Lawn & Garden Tractors 300/400 Series", 12 pages, Dec. 1988, USA.
Deere & Company, "John Deere Compact Tractors Under—40-hp", 20 pages, Aug. 1989, USA.



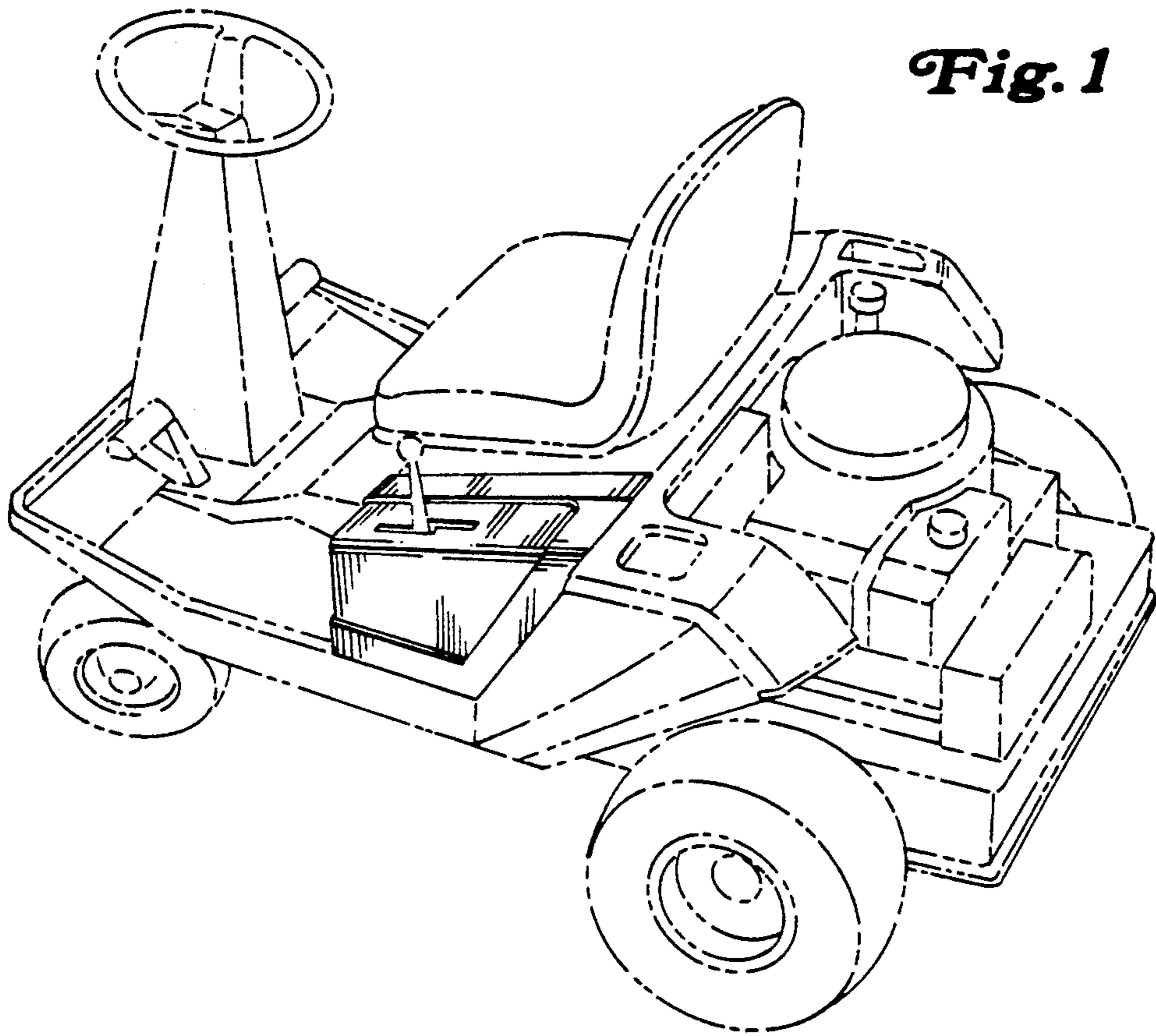


Fig. 1

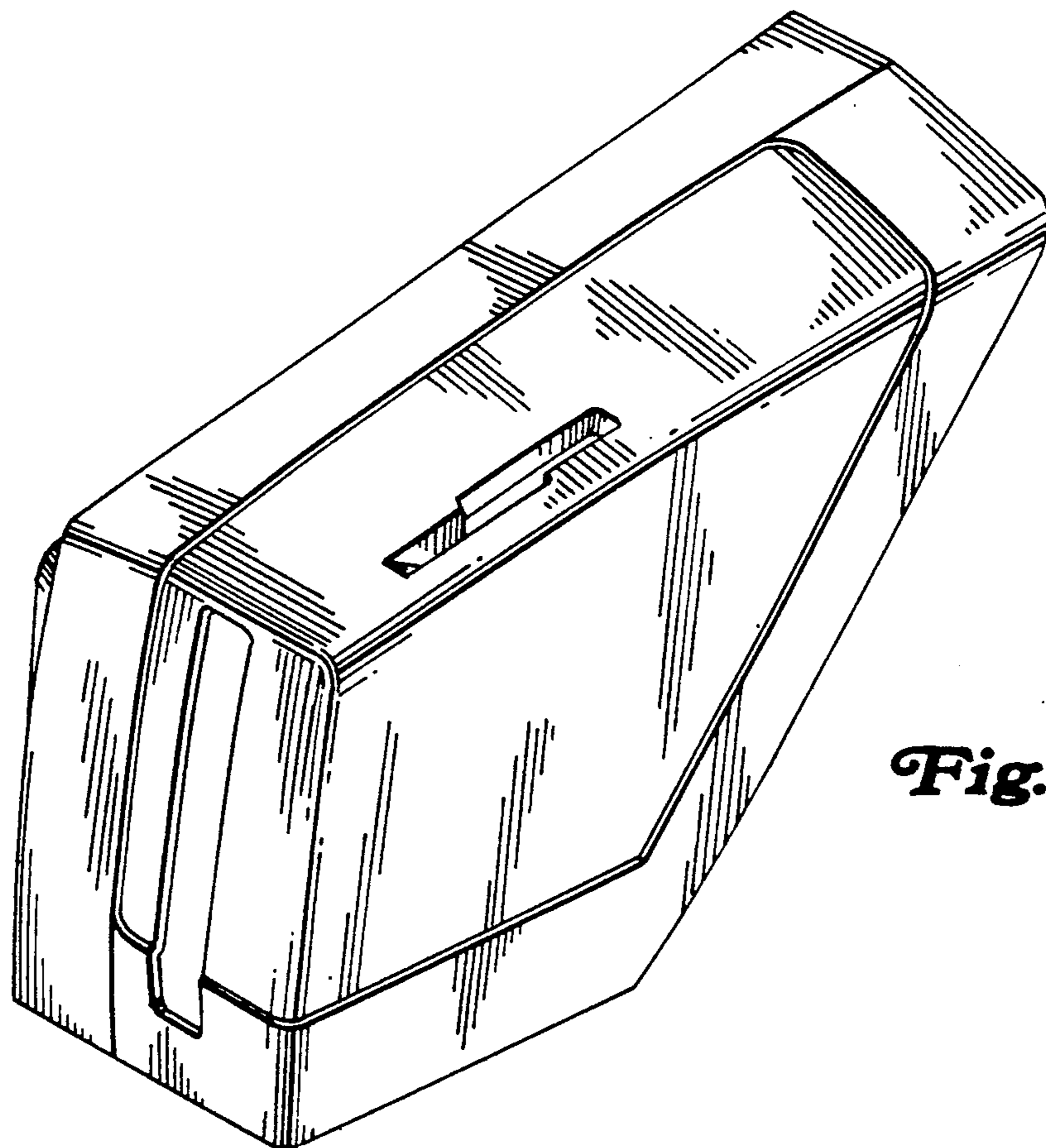


Fig. 2

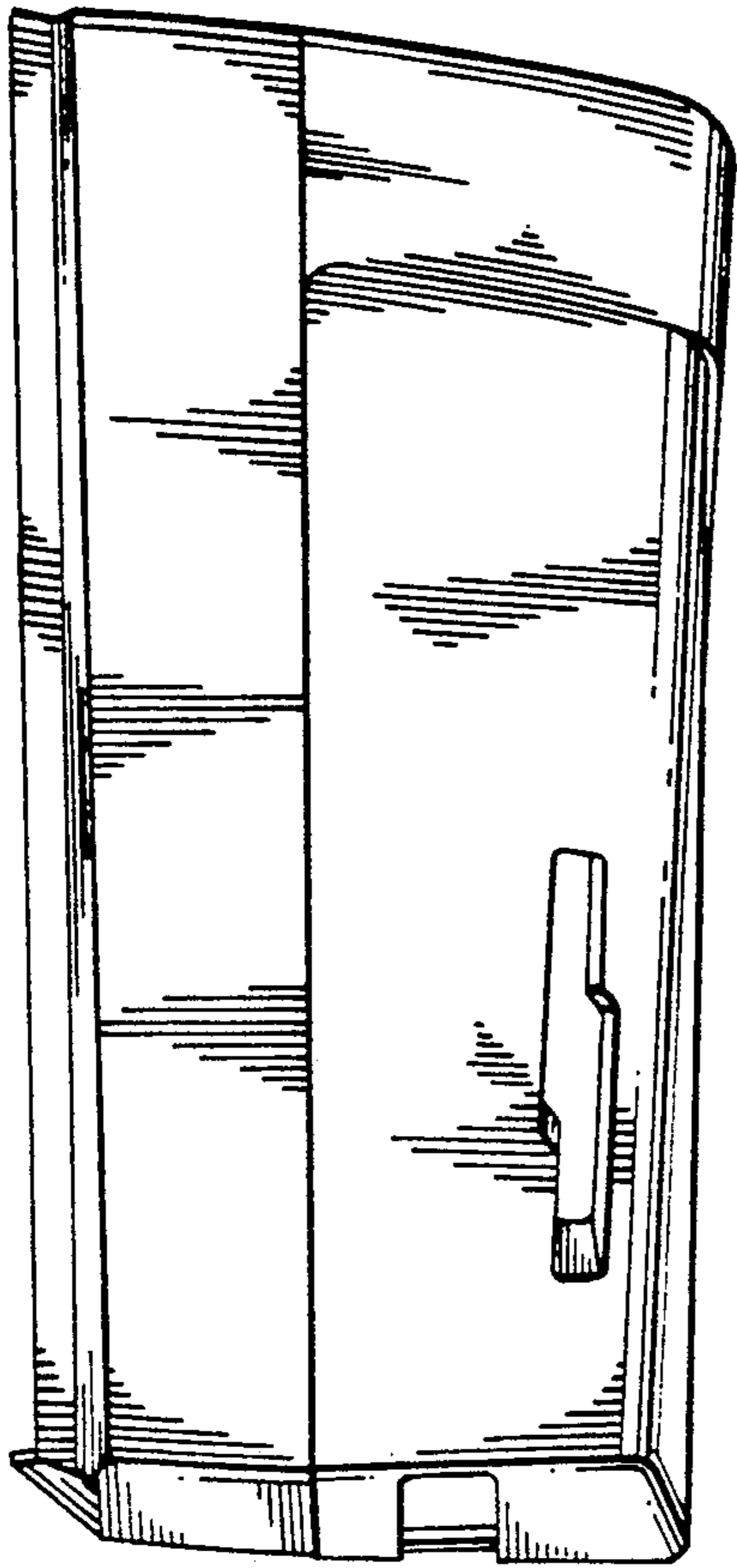


Fig. 3

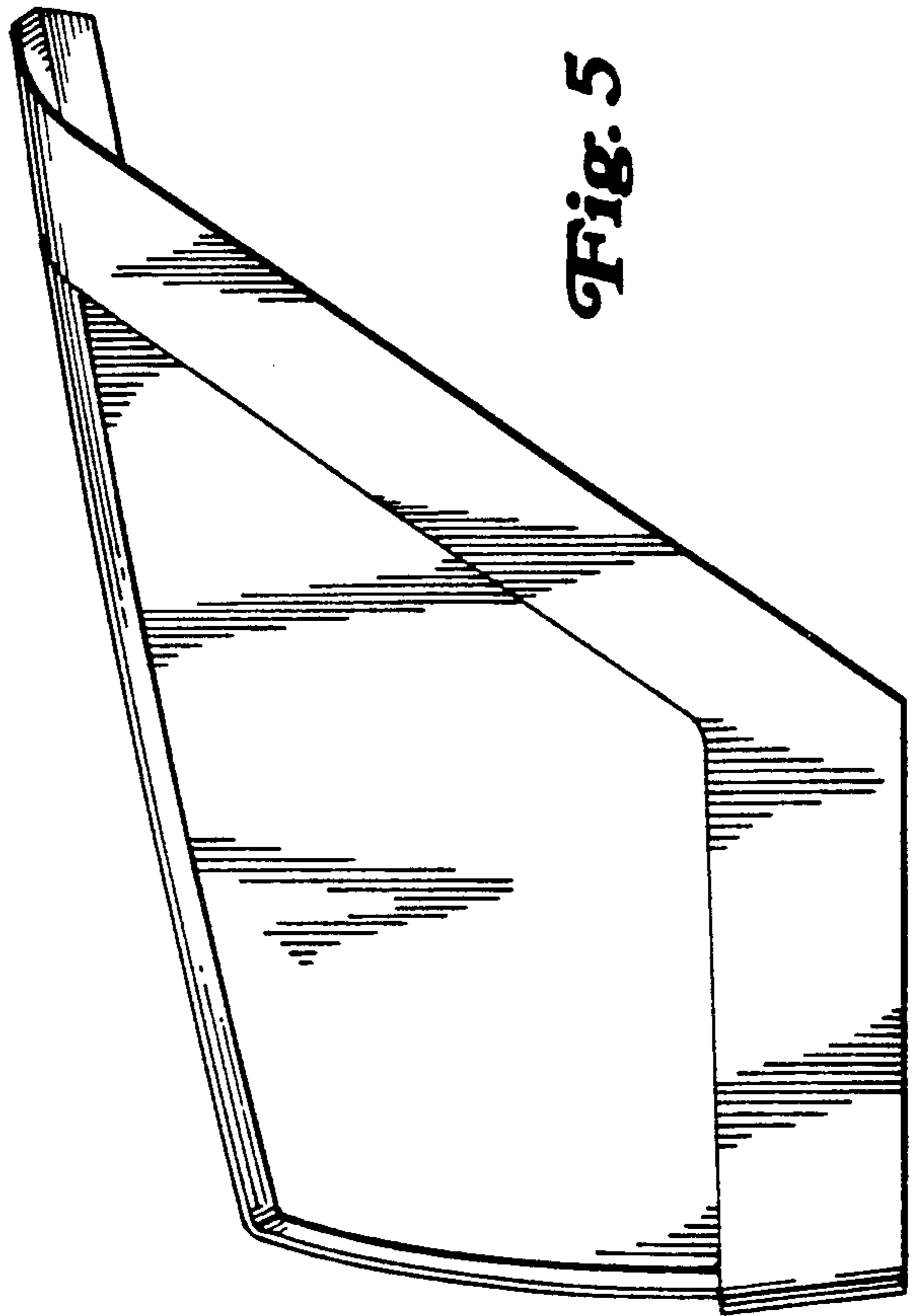


Fig. 5

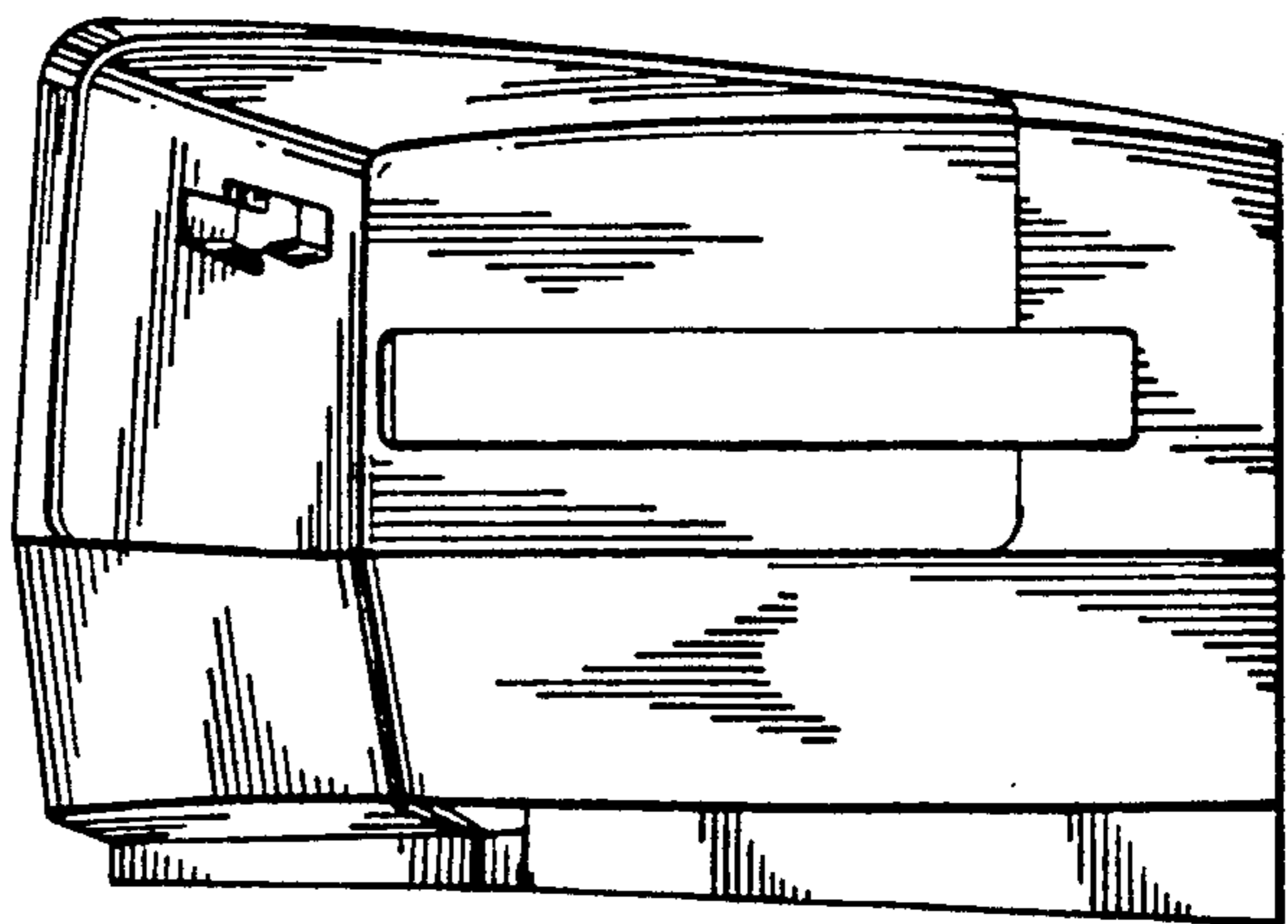


Fig. 4