



US00D326659S

# United States Patent [19]

[11] Patent Number: **Des. 326,659**

Smith

[45] Date of Patent: **\*\* Jun. 2, 1992**

[54] **GRINDING MACHINE ATTACHMENT FOR ROTARY MOWER BLADES**

4,934,108 6/1990 Hall ..... 76/82

[76] Inventor: **Dennis R. Smith**, 1629 -16th St. Apt. 332, Lubbock, Tex. 79401

*Primary Examiner*—Bernard Ansher  
*Assistant Examiner*—Sandra Morris

[\*\*] Term: **14 Years**

[57] **CLAIM**

[21] Appl. No.: **539,470**

The ornamental design for a grinding machine attachment for rotary mower blades, as shown and described.

[22] Filed: **Jun. 18, 1990**

**DESCRIPTION**

[52] U.S. Cl. .... **D15/17**

[58] Field of Search ..... D15/10, 17; 51/56, 76 BS, 51/248, 250, 288; 76/82, 82.1, 85

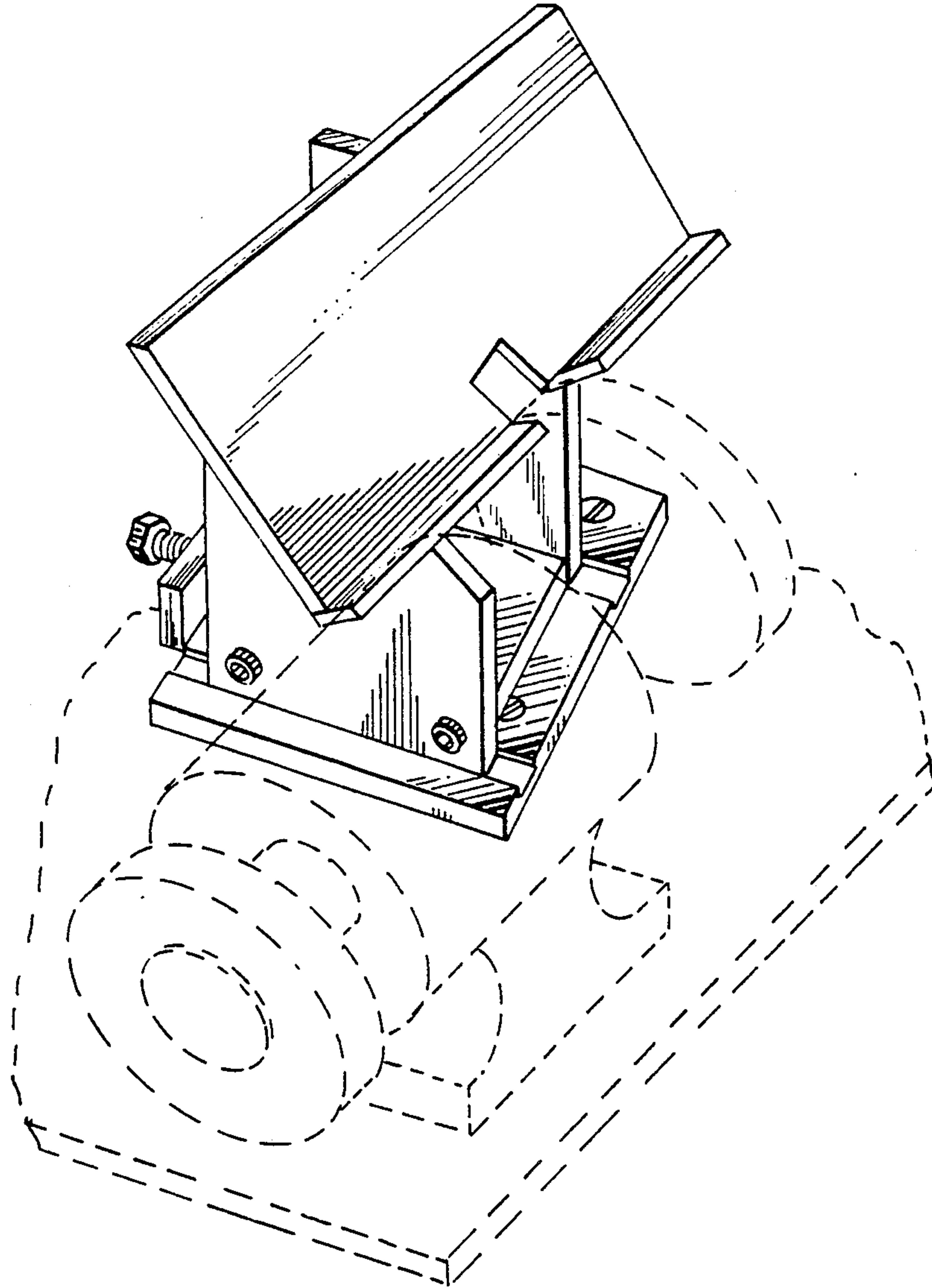
FIG. 1 is a perspective view of a grinding machine attachment for rotary mower blades, showing my new design, the grinding wheel shown in broken lines is for illustrative purposes only, and forms no part of the claimed design;

[56] **References Cited**

**U.S. PATENT DOCUMENTS**

978,356	12/1910	Chaille	76/82.1
1,892,667	1/1933	Harnden	51/250
3,996,818	12/1976	Lindsay	76/82.1
4,611,509	9/1986	Matsutani	51/288

FIG. 2 is a front elevational view thereof;  
FIG. 3 is a right side elevational view thereof;  
FIG. 4 is a left side elevational view thereof;  
FIG. 5 is a rear elevational view thereof; and,  
FIG. 6 is a top plan view thereof.



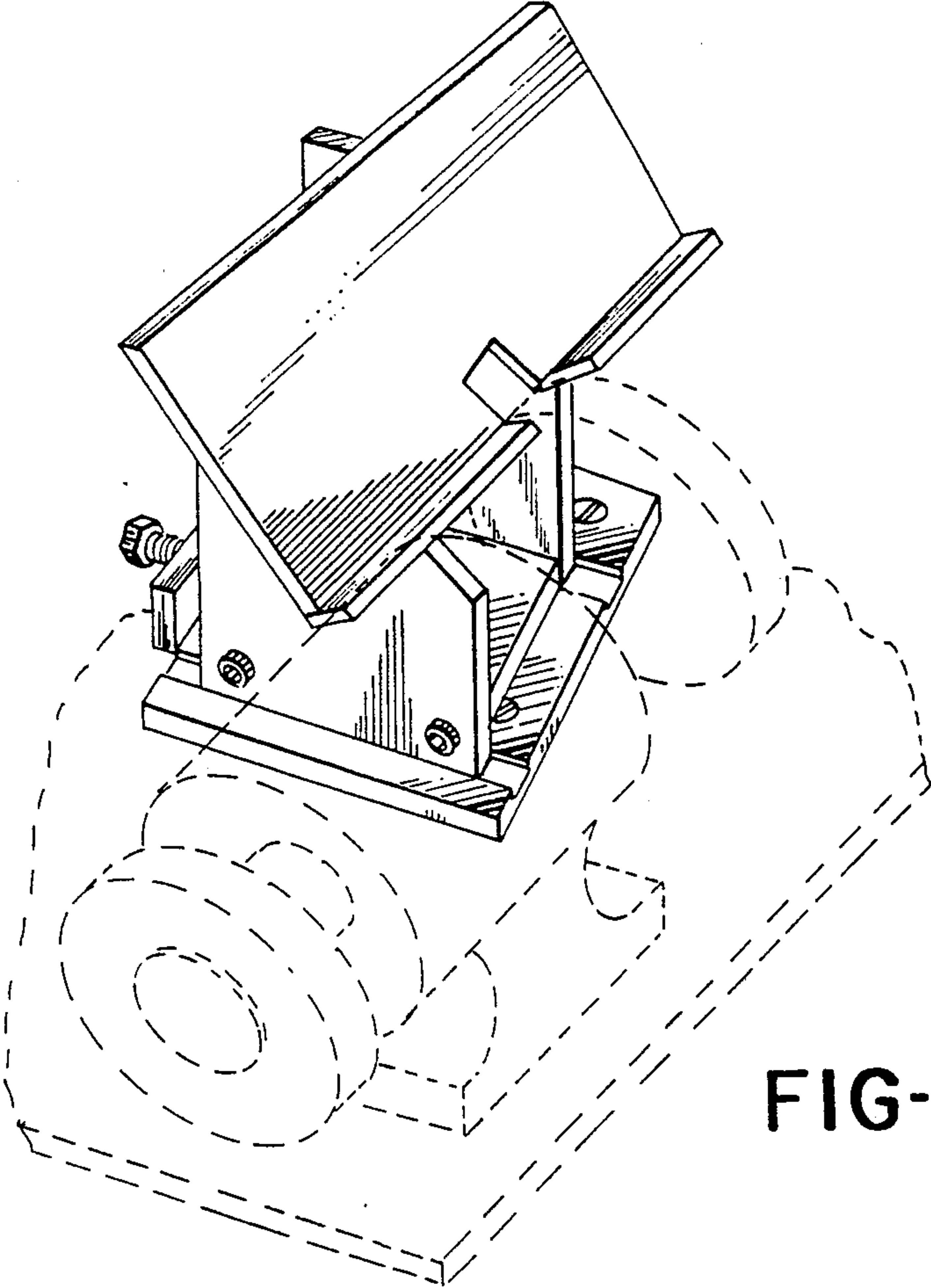


FIG-1

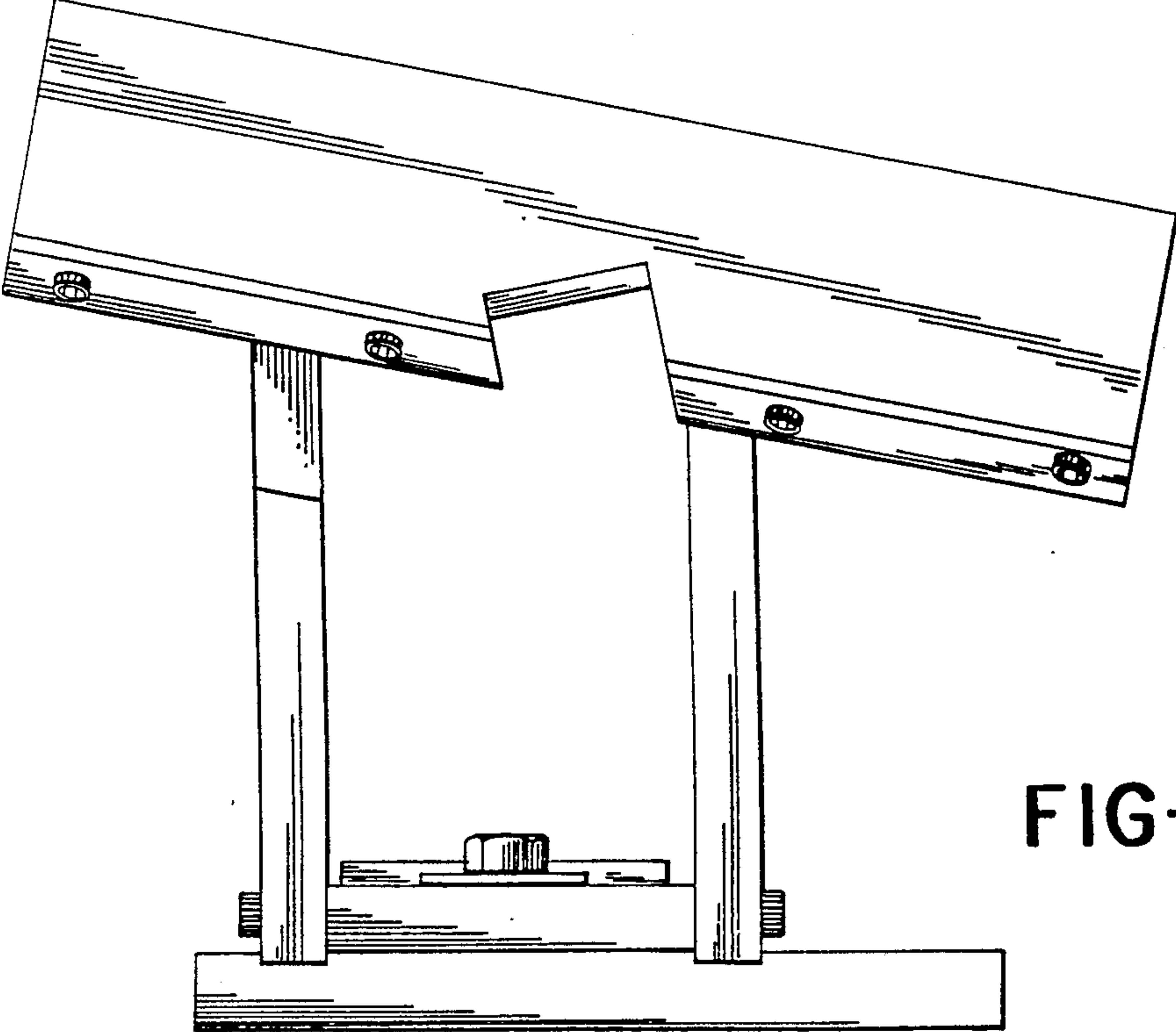


FIG-2

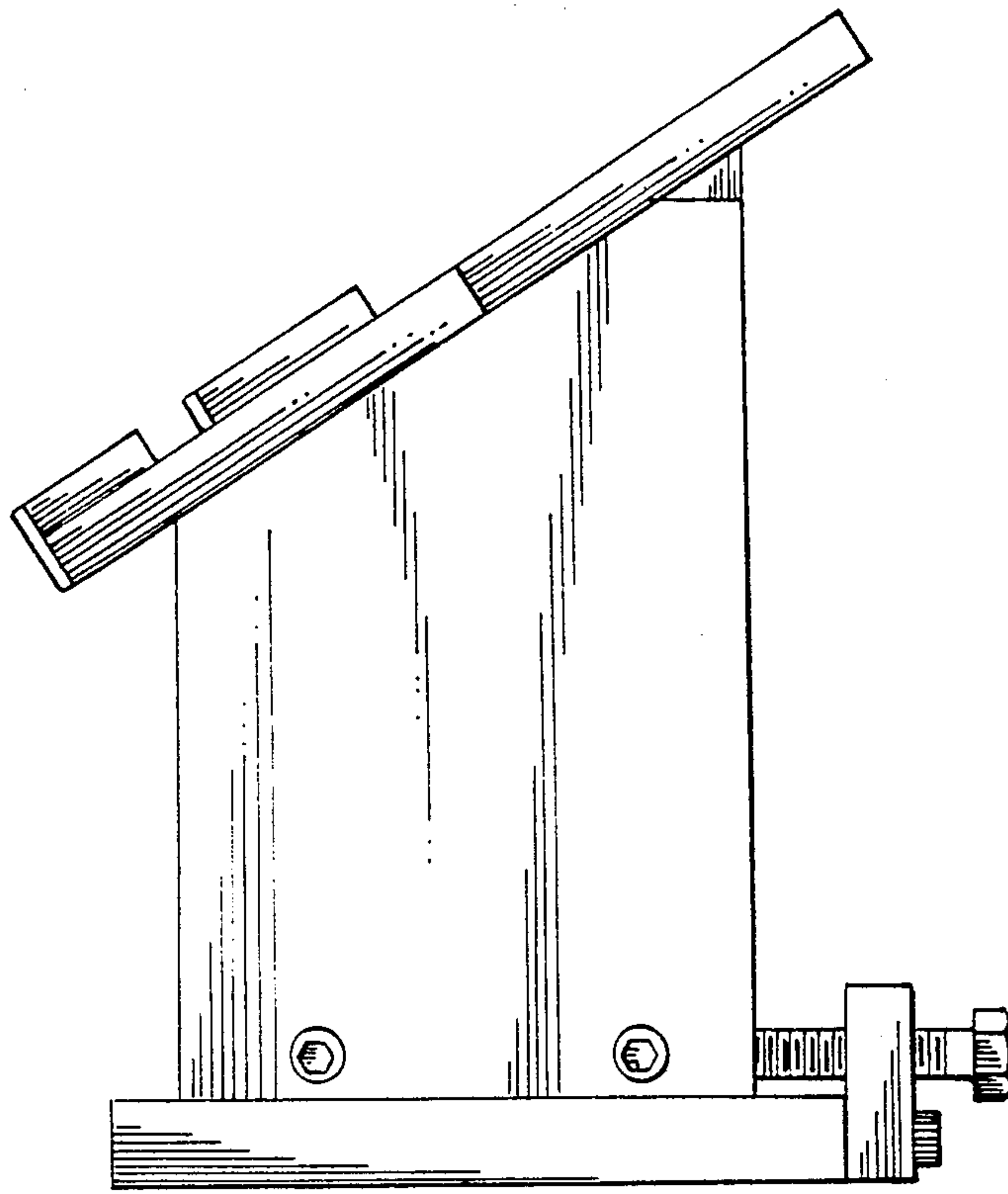


FIG-3

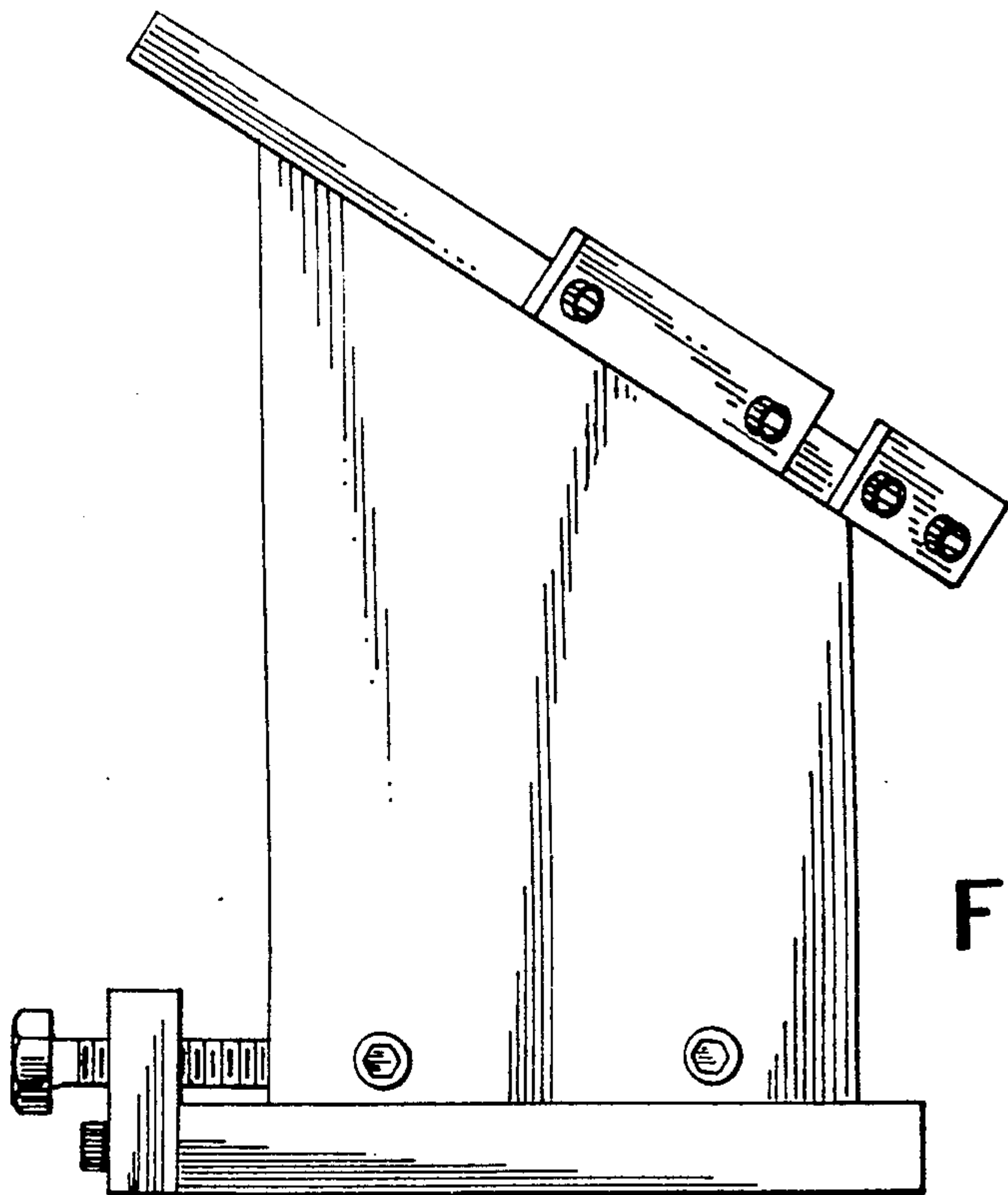


FIG-4

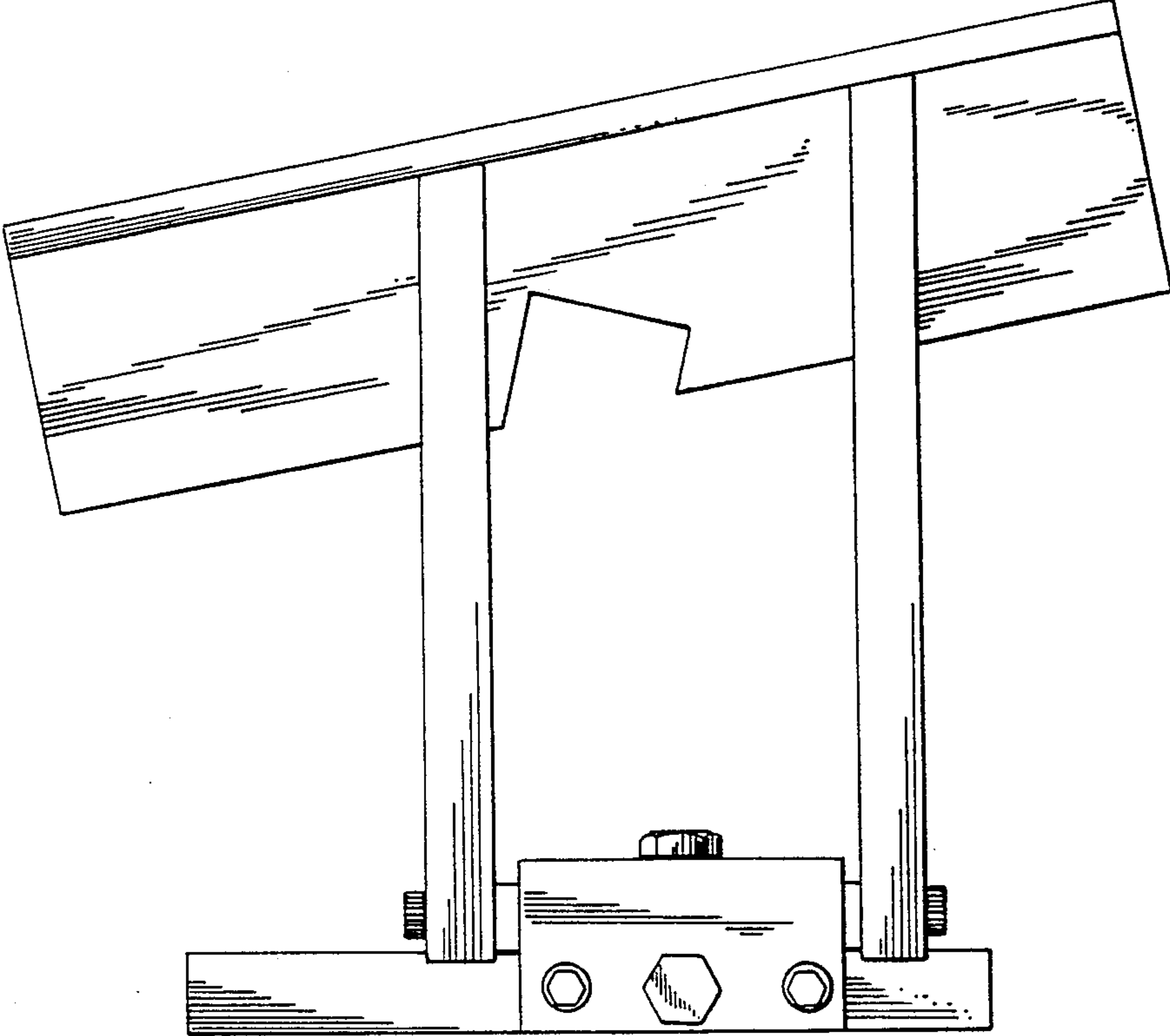


FIG-5

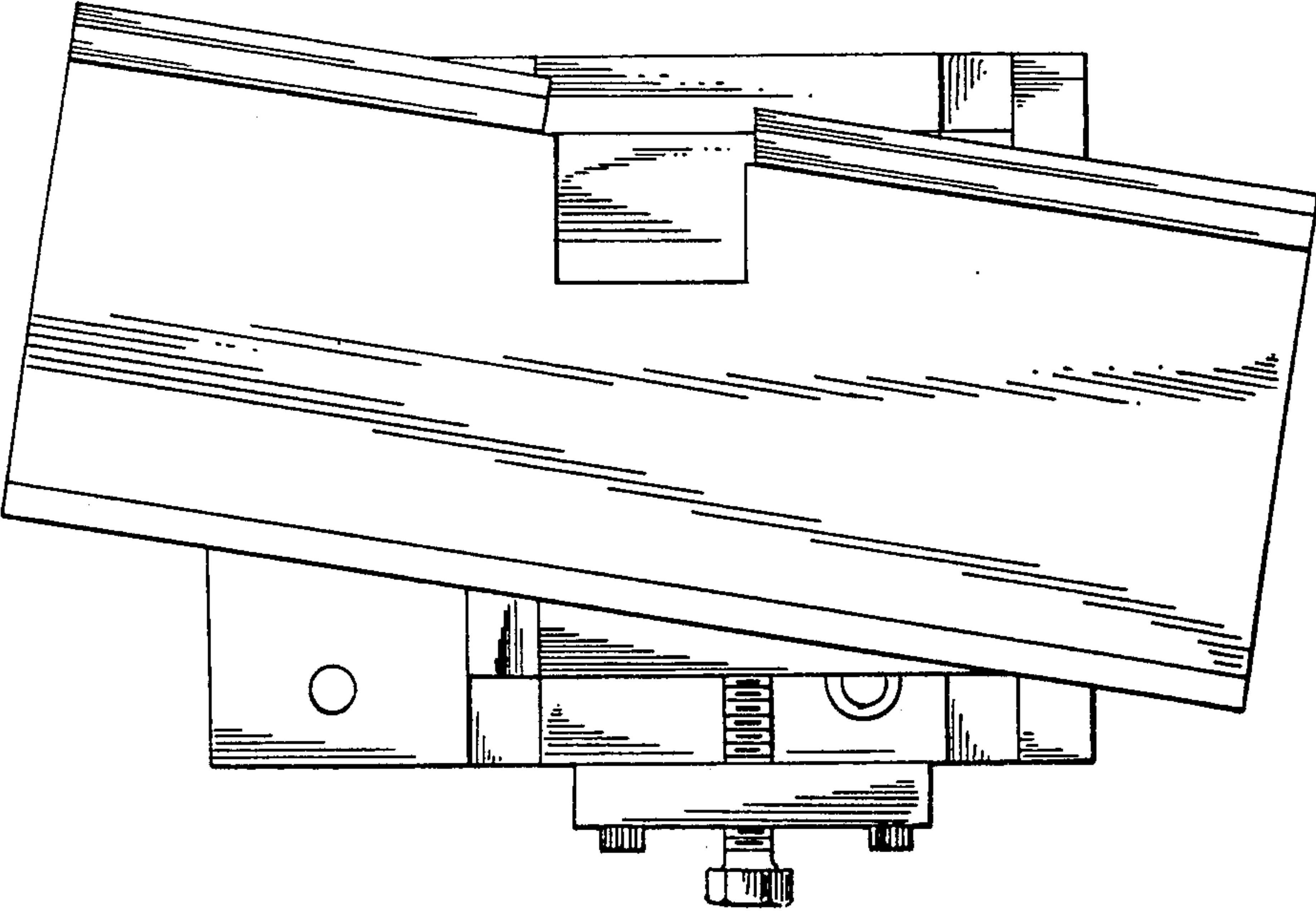


FIG-6