



US00D326653S

# United States Patent [19]

[11] Patent Number: **Des. 326,653**

Hino

[45] Date of Patent: **\*\* Jun. 2, 1992**

[54] **RADIO RECEIVER**

[75] Inventor: **Ichiroh Hino, Kanagawa, Japan**

[73] Assignee: **Sony Corporation, Tokyo, Japan**

[\*\*] Term: **14 Years**

[21] Appl. No.: **533,903**

[22] Filed: **Jun. 6, 1990**

[30] **Foreign Application Priority Data**

Dec. 12, 1989 [JP] Japan ..... 1-45104

[52] U.S. Cl. .... **D14/192; D14/205**

[58] Field of Search ..... **D14/124, 137, 163, 168, D14/171, 188-198, 265, 299, 205, 206, 223; 455/344, 347, 350-351**

[56] **References Cited**

### U.S. PATENT DOCUMENTS

- D. 272,904 3/1984 Kawano ..... D14/205
- D. 284,859 7/1986 Okada ..... D14/192
- D. 293,107 12/1987 Muller ..... D14/197

D. 321,881 11/1991 Hopewell ..... D14/192

*Primary Examiner*—Theodore M. Shooman  
*Attorney, Agent, or Firm*—Lewis H. Eslinger; Jay H. Maioli

### [57] CLAIM

The ornamental design for a radio receiver, as shown.

### DESCRIPTION

FIG. 1 is a bottom, front and left-side perspective view of a radio receiver, showing my new design;

FIG. 2 is a bottom, rear and left-side perspective view thereof;

FIG. 3 is a bottom, rear and left-side perspective view thereof, shown with ear holder in the folded position;

FIG. 4 is an enlarged front elevational view thereof;

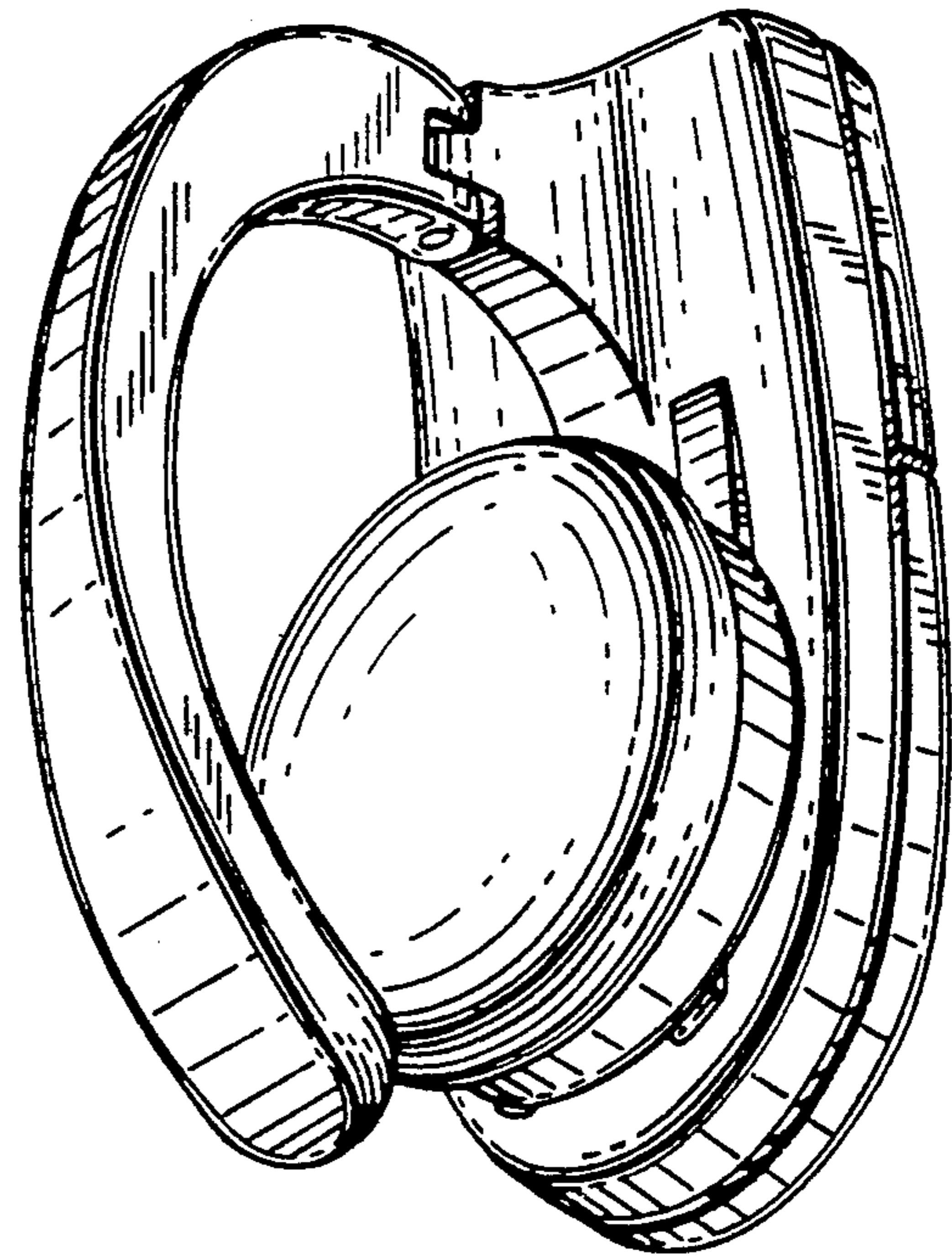
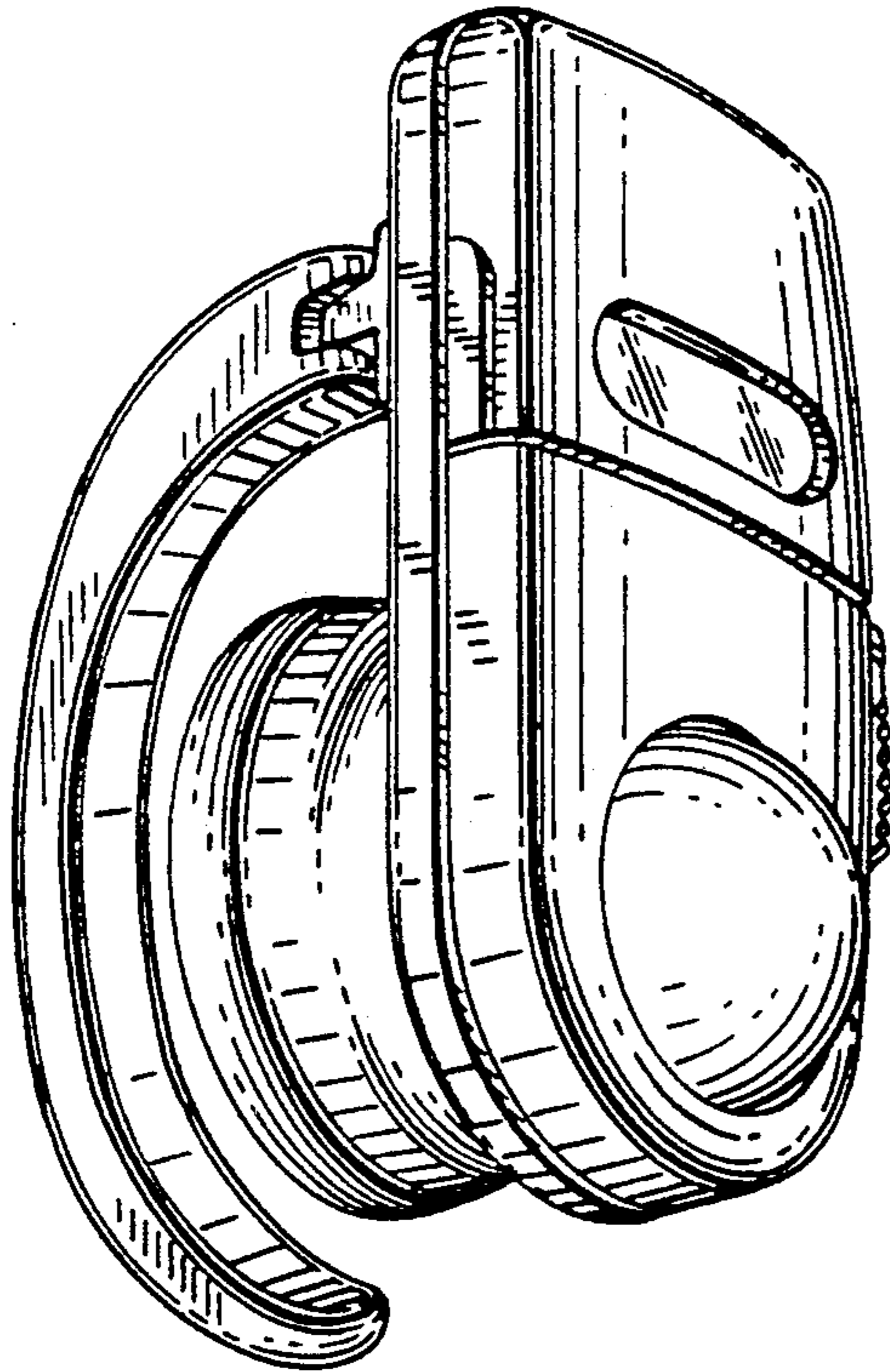
FIG. 5 is an enlarged rear elevational view thereof;

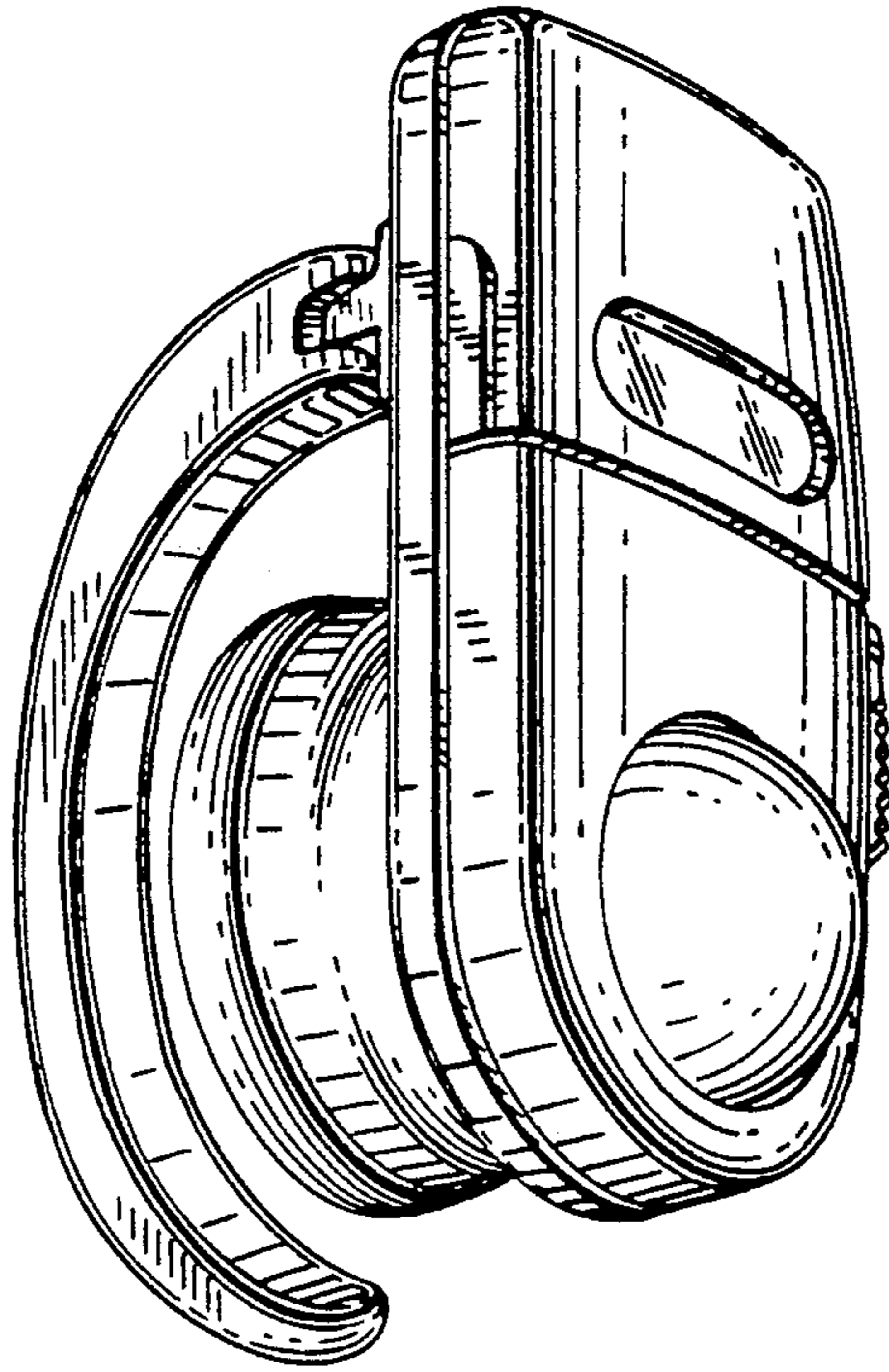
FIG. 6 is an enlarged left-side elevational view thereof;

FIG. 7 is an enlarged right-side elevational view thereof;

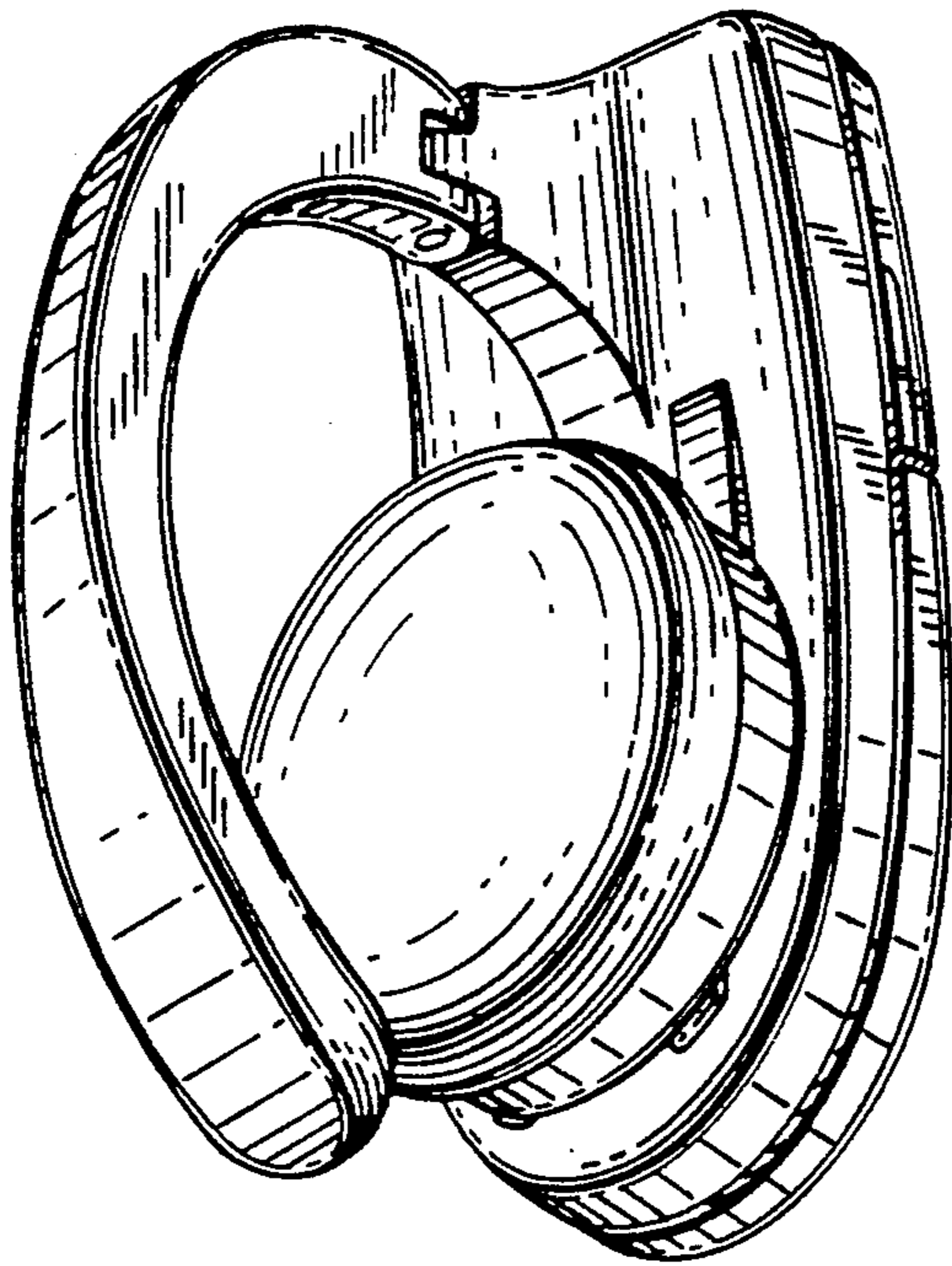
FIG. 8 is an enlarged top plan view thereof; and,

FIG. 9 is an enlarged bottom plan view thereof.

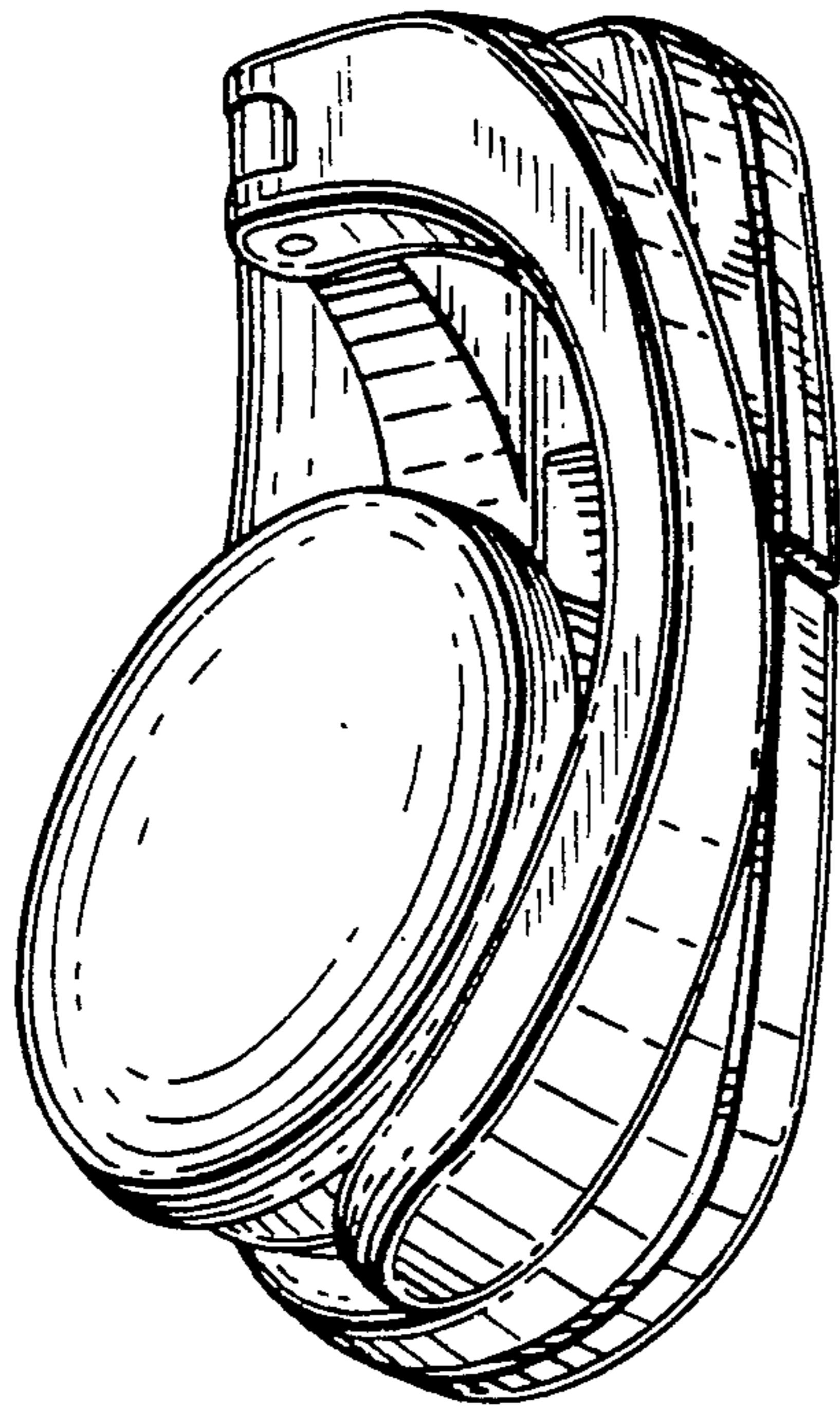




*FIG. 1*



*FIG. 2*



*FIG. 3*

*FIG. 4*

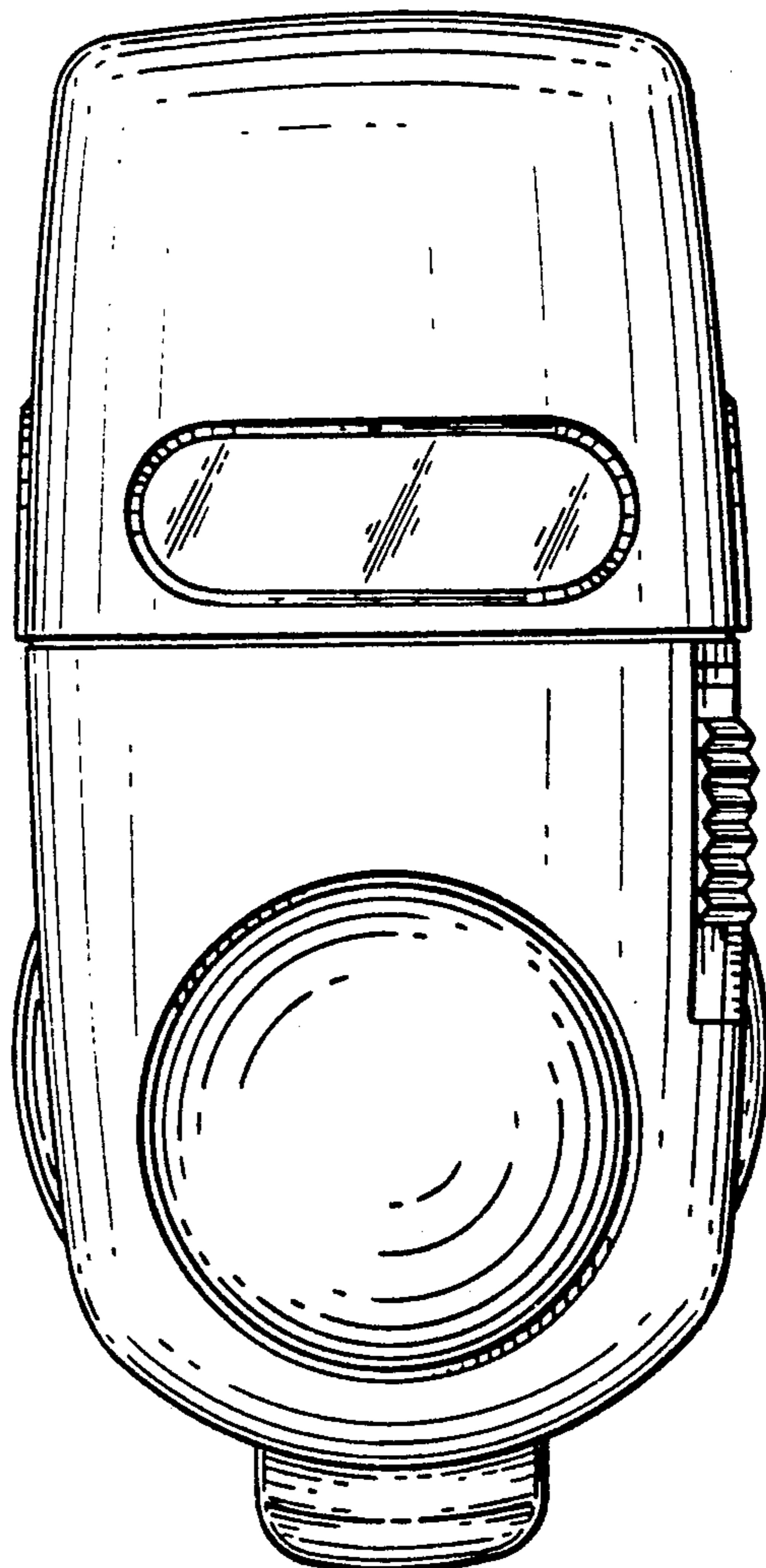


FIG. 6

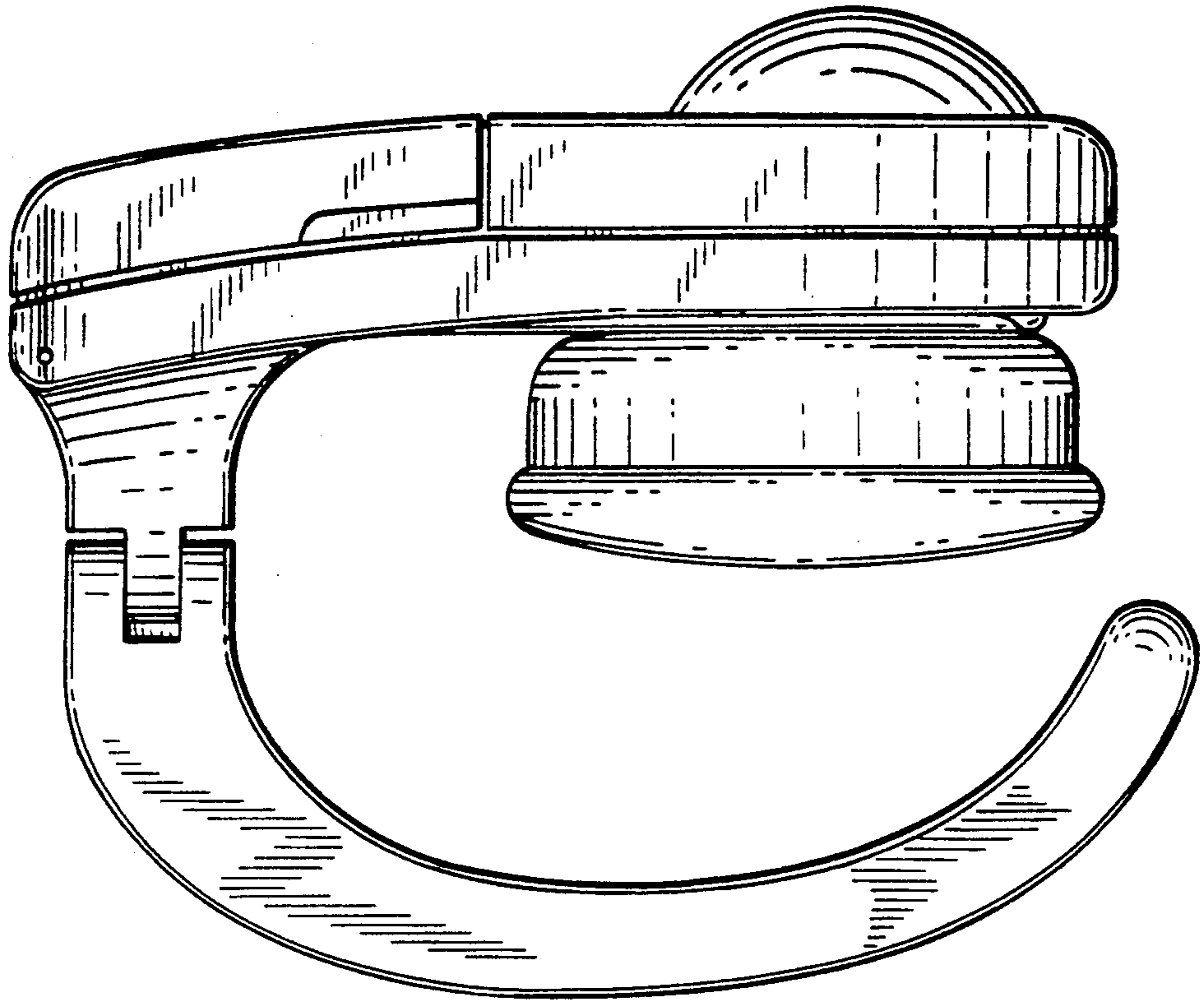
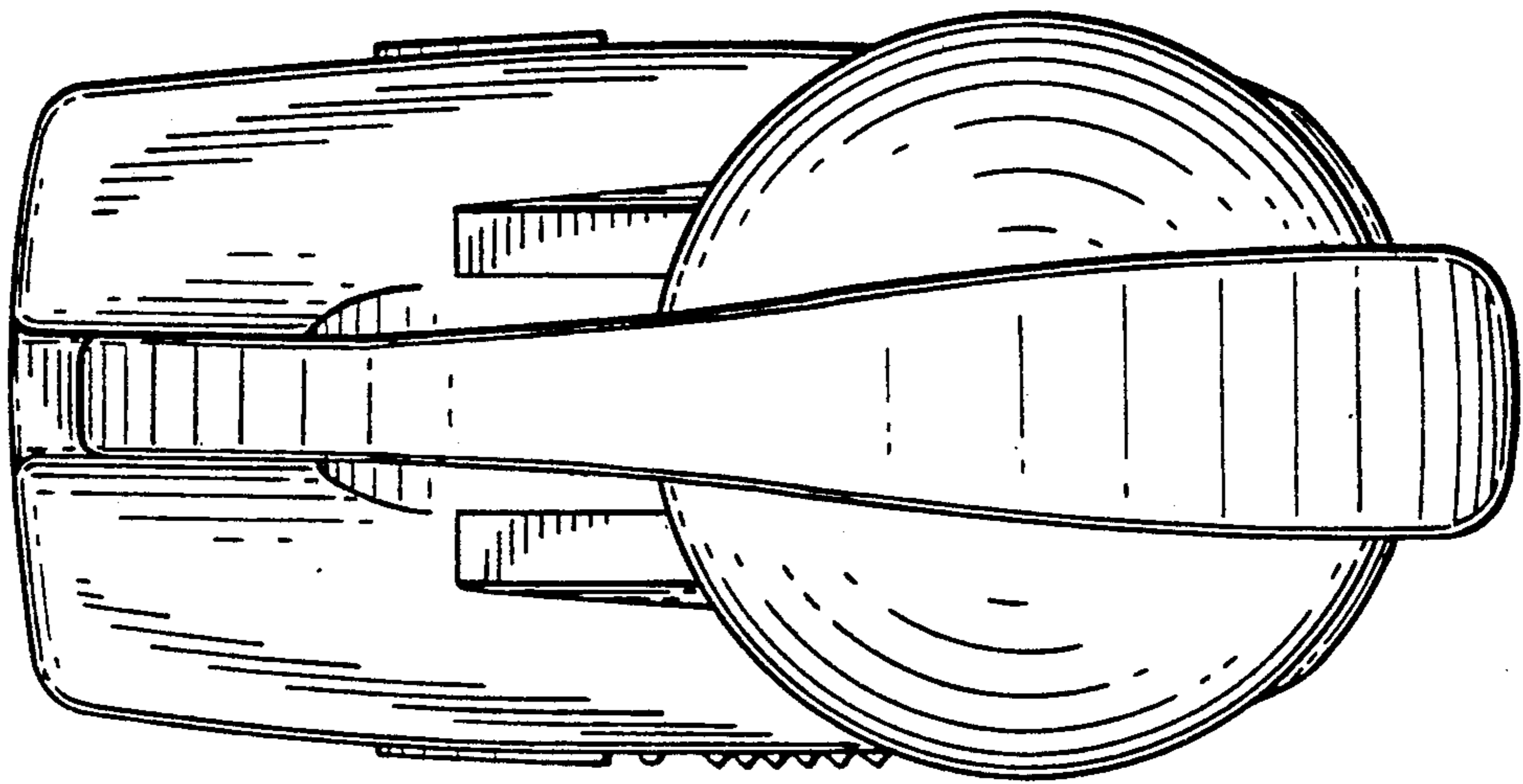
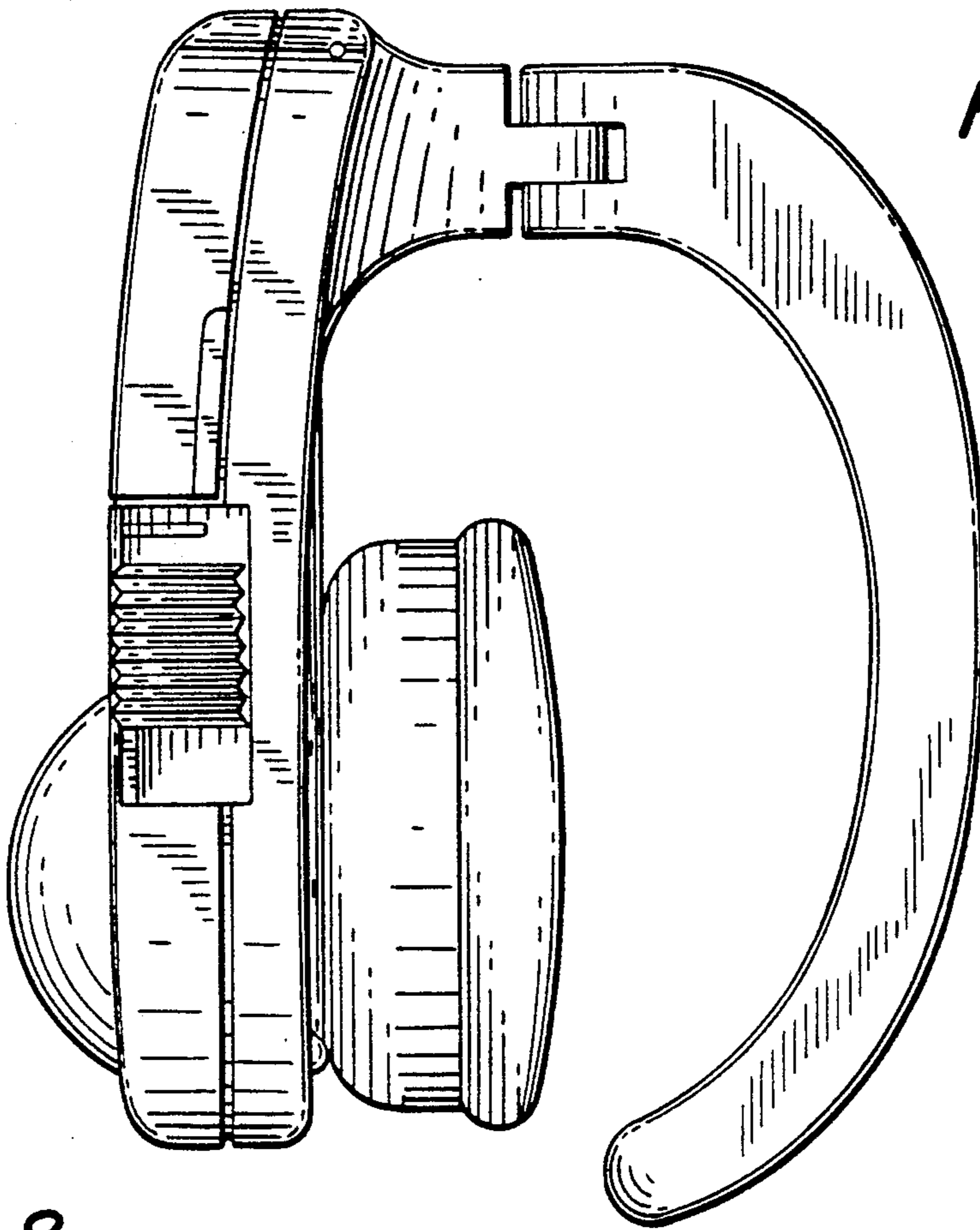


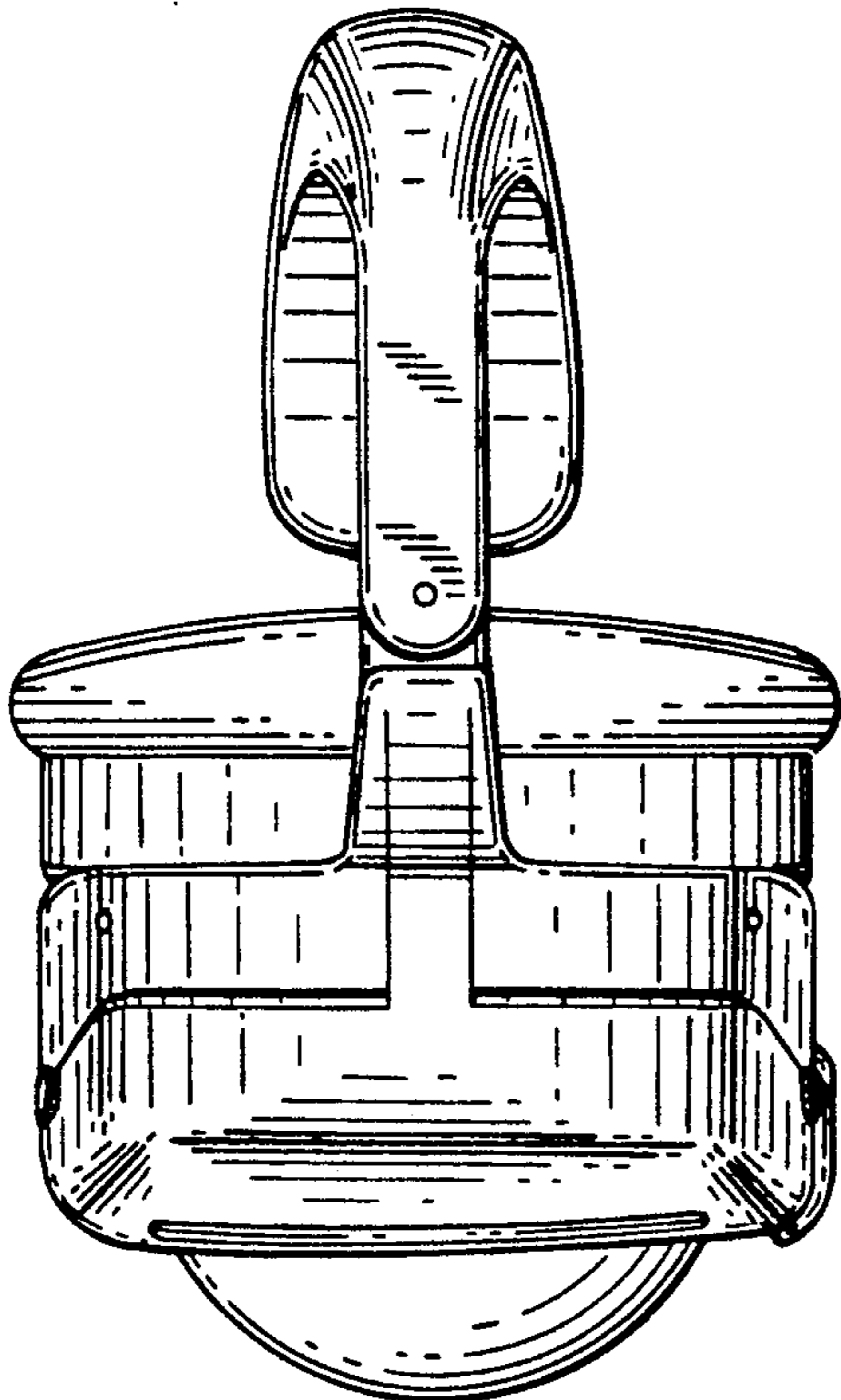
FIG. 5





*FIG. 7*

*FIG. 8*



*FIG. 9*

