



US00D326650S

United States Patent [19]

[11] Patent Number: Des. 326,650

Iino

[45] Date of Patent: \*\* Jun. 2, 1992

[54] ELECTRONIC COMPUTER

D. 311,906 11/1990 Iino ..... D14/106  
D. 316,852 5/1991 Sai et al. .... D14/106

[75] Inventor: Masaaki Iino, Yokohama, Japan

[73] Assignee: Kabushiki Kaisha Toshiba,  
Kanagawa, Japan

[\*\*] Term: 14 Years

[21] Appl. No.: 466,741

[22] Filed: Jan. 18, 1990

[30] Foreign Application Priority Data

Jul. 18, 1989 [JP] Japan ..... 1-26327

[52] U.S. Cl. .... D14/106

[58] Field of Search ..... D14/100, 101, 106, 113,  
D14/115; D18/1, 7, 11, 12; D19/76; 235/145  
A, 145 R; 340/700, 706, 711, 712; 341/22, 23;  
358/249, 253; 364/706-710; 400/489, 492;  
312/208

[56] References Cited

U.S. PATENT DOCUMENTS

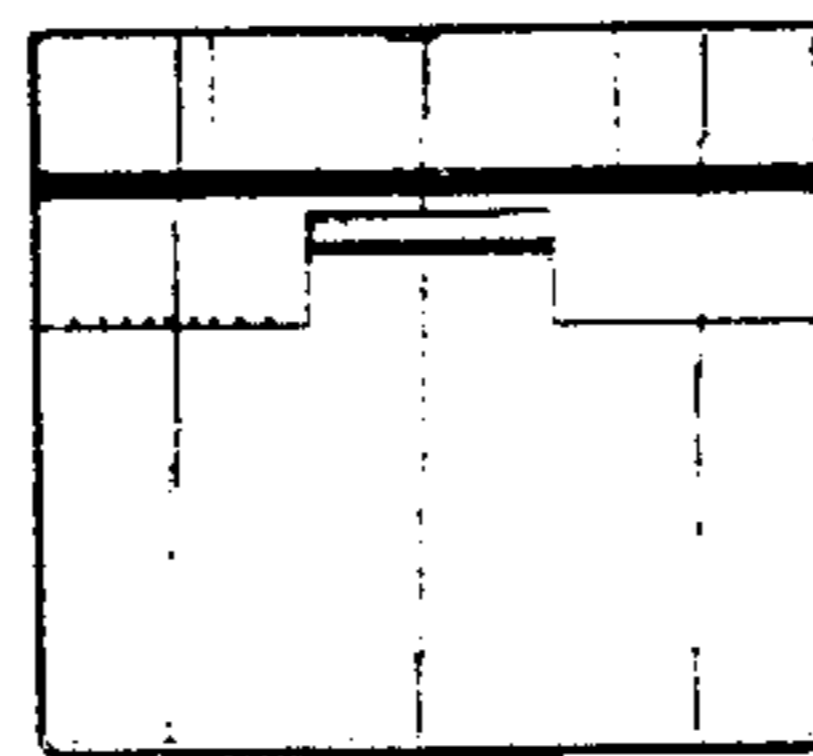
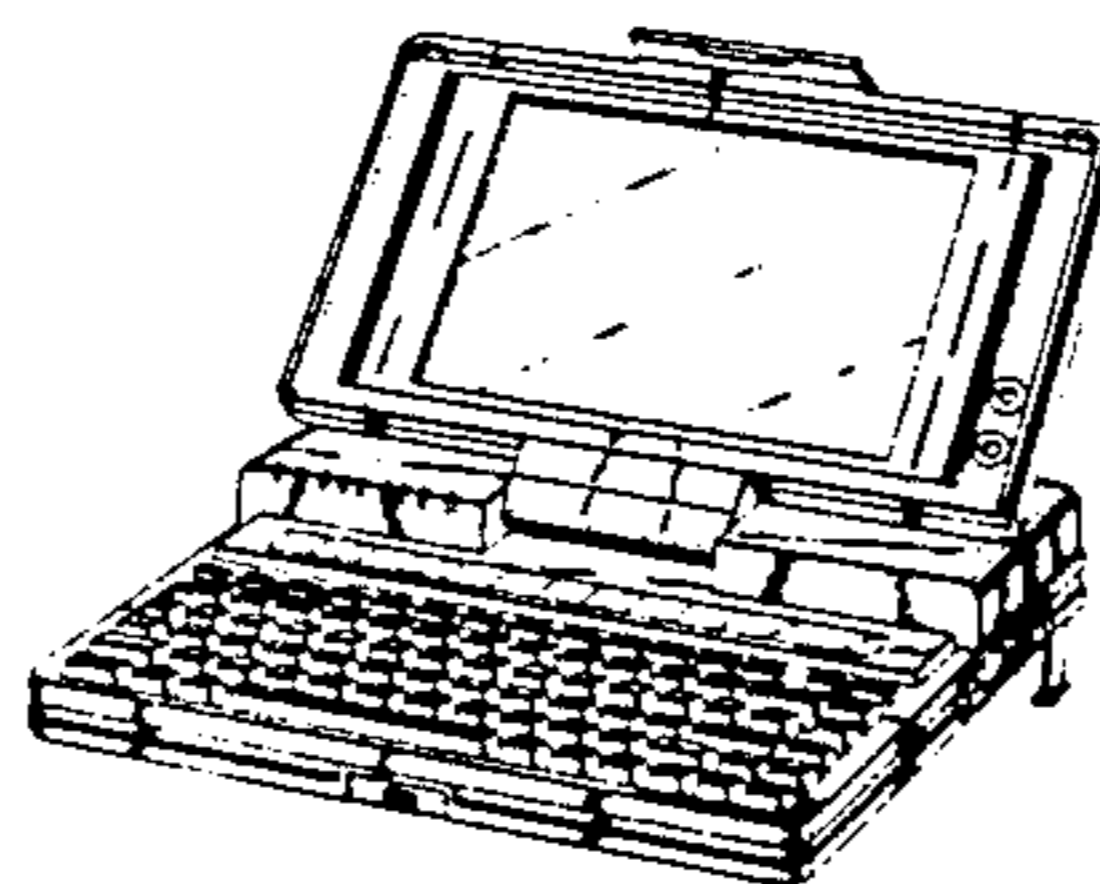
- D. 224,784 7/1972 Sucre et al. .... D14/106
- D. 254,005 1/1980 Zadock et al. .... D14/106
- D. 275,102 8/1984 MacConnel ..... D14/106
- D. 280,511 9/1985 Moggridge et al. .... D14/106
- D. 280,622 9/1985 Moggridge et al. .... D14/100
- D. 282,843 3/1986 Kurihara et al. .... D14/100
- D. 283,511 4/1986 Dunn ..... D14/106
- D. 284,193 6/1986 Marshall ..... D14/101
- D. 284,474 7/1986 Sawada ..... D14/100
- D. 287,969 1/1987 Kusanagi ..... D14/106
- D. 288,566 3/1987 Chin et al. .... D14/106
- D. 289,177 4/1987 Sawada ..... D18/7
- D. 289,763 5/1987 Fujii et al. .... D14/106
- D. 290,256 6/1987 Sapper et al. .... D14/106
- D. 290,845 7/1987 Yubisui et al. .... D14/111
- D. 291,442 8/1987 Kurihara ..... D14/106
- D. 293,677 1/1988 Hara et al. .... D14/106
- D. 293,678 1/1988 Sawatani et al. .... D14/106
- D. 294,029 2/1988 Nishiyama et al. .... D14/106
- D. 294,831 3/1988 Hara et al. .... D14/106
- D. 295,176 4/1988 Nishimoto et al. .... D14/106
- D. 295,519 3/1988 Kimble ..... D14/106
- D. 299,031 12/1988 Sugano ..... D14/106
- D. 306,285 2/1990 Yu ..... D14/106
- D. 311,528 10/1990 Sugano et al. .... D14/106
- D. 311,741 10/1990 Sakai ..... D14/106

FOREIGN PATENT DOCUMENTS

- 100708 6/1988 China .
- 100709 6/1988 China .
- 101093 7/1988 China .
- M8800660 10/1988 Fed. Rep. of Germany .
- 47-14961 5/1972 Japan .
- 499866 4/1979 Japan .
- 639216 11/1984 Japan .
- 650470 5/1985 Japan .
- 664175 10/1985 Japan .
- 684172 8/1986 Japan .
- 684172 8/1986 Japan .
- 685000 8/1986 Japan .
- 685063 8/1986 Japan .
- 685121 8/1986 Japan .
- 685542 8/1986 Japan .
- 686374 9/1986 Japan .
- 686381 9/1986 Japan .
- 686386 9/1986 Japan .
- 686658 9/1986 Japan .
- 686706 9/1986 Japan .
- 685000 12/1986 Japan .
- 695931 12/1986 Japan .
- 696188 1/1987 Japan .
- 697328 1/1987 Japan .
- 763838 6/1988 Japan .
- 685121 10/1988 Japan .
- 747990 11/1988 Japan .
- 748513 11/1988 Japan .
- 749802 11/1988 Japan .
- 746985(2) 4/1989 Japan .
- 746985(1) 4/1989 Japan .
- 763840 6/1989 Japan .
- 763855 6/1989 Japan .
- 67297 2/1987 Rep. of Korea .
- 85032 10/1988 Rep. of Korea .
- 92859 7/1989 Rep. of Korea .
- 92863 7/1989 Rep. of Korea .
- 852546 1/1987 Sweden .
- 852547 1/1987 Sweden .
- 105573 11/1988 Taiwan .
- 107394 1/1989 Taiwan .

OTHER PUBLICATIONS

- Fanuc System P-Model, Jul. 27, 1983.
- Sharp Advertisement, May 19, 1976.
- Moebel Interior Design, Jan. 5, 1984.



- The Office 98-6, Jan. 31, 1984.  
 Demus 645, Feb. 22, 1984.  
 MRD Advertisement, Mar. 29, 1984.  
 Gavilan Mobile Computer Brochure, Apr. 19, 1984.  
 Picture #J9016870, May 8, 1984.  
 Hewlett Packard Advertisement, May 18, 1984.  
 Hewlett Packard Advertisement, Jun. 6, 1984.  
 Epson HC-88, Jul. 1, 1984.  
 Hitachi Advertisement, Sep. 4, 1984.  
 Hewlett Packard Advertisement, Sep. 12, 1984.  
 Sharp PC-5000 Brochure, Sep. 26, 1984.  
 Data General One Advertisement, Sep. 28, 1984.  
 Apple Computer Apple IIC, Oct. 15, 1984.  
 TI Software Journal, Pro-Lite TM, Nov. 14, 1984.  
 IS-11c Advertisement, Nov. 14, 1984.  
 Dulmont Magnum Article in Portable Computer, Nov. 1984.  
 IBM Advertisement, Dec. 6, 1984.  
 Tandy 200, 1985.  
 General Corp. 4400, Jan. 14, 1985.  
 AVAL TM Advertisement, Feb. 11, 1985.  
 Picture #J60007802, Feb. 26, 1985.  
 AVAL TM20, Mar. 8, 1985.  
 Tandy 200, Mar. 16, 1985.  
 NEC Starlet PC-8401A Brochure, Mar. 28, 1985.  
 C & D News, Mar. 29, 1985.  
 Hewlett-Packard HP110, Apr. 1985.  
 Fujitsu FM 16, Apr. 17, 1985.  
 Fujitsu FM16 TL Brochure, May 22, 1985.  
 Data General One Brochure, May 23, 1985.  
 Toshiba T 1100 Plus, Jul. 22, 1985.  
 Minato Electronics MODS-5000, Aug. 22, 1985.  
 GridCase Brochure, Sep. 24, 1985.  
 FBS Advertisement, Oct. 30, 1985.  
 NEC N6919 Model 80/80H, Nov. 11, 1985.  
 IBM Advertisement, Nov. 28, 1985.  
 Apple Computer IIC, Dec. 1985.  
 Hewlett-Packard Portable Plus, Dec. 1985.  
 FLM-700, Jan. 31, 1986.  
 Fujitsu FM 16, May 21, 1986.  
 PC-816F Advertisement, May 27, 1986.  
 Zenith Data Systems NEWSDATE Newsletter, Jun. 7, 1986.  
 Tandy 600 Advertisement, Jul. 25, 1986.  
 Ricoh JP70D Brochure, Sep. 29, 1986.  
 Data General One Brochure, Oct. 3, 1986.  
 Article re IBM Portable Personal Computer, Oct. 15, 1986.  
 NEC PC-98LT Advertisement, Oct. 23, 1986.  
 Yaskawa P-t50 Advertisement, Nov. 12, 1986.  
 Yaskawa Memocon ®-SC GL20 Advertisement, Mar. 27, 1987.  
 TI Advertisement in Telephony, Apr. 1, 1987.  
 Data General One Model 2J Brochure, May 20, 1987.  
 Hitachi B16LX Brochure, Aug. 31, 1987.  
 Ricoh Brochure, Sep. 17, 1987.  
 Sony Produce 100 Brochure, Sep. 18, 1987.  
 Panasonic FW-U1EX Advertisement, Oct. 2, 1987.  
 Nihon IBM 55 Model 5535, Oct. 19, 1987.  
 NEC Minitel 5 Advertisement, Oct. 29, 1987.  
 Rein Laptop 300 SLC Advertisement, Oct. 29, 1987.  
 IBM 5540/5535 Brochure, Nov. 4, 1987.  
 NEC PC-9800 Advertisement, Nov. 27, 1987.  
 Panasonic U1EX Advertisement, Dec. 8, 1987.  
 Schneider Multivision 300 SLC Catalog, 1988.  
 Panasonic U1Pro, Jan. 4, 1988.  
 Diagnostic Products Review, Jan. 2, 1988.  
 Toshiba E & E News, Feb. 26, 1988.  
 Seiko-Epson PC-286L, Mar. 2, 1988.  
 Toshiba JW90FII Rupo Brochure, Mar. 3, 1988.  
 Hitachi B16LX Brochure, Apr. 5, 1988.  
 Sony Produce PJ-100EX Brochure, Apr. 5, 1988.  
 WS Japanese Advertisement, Apr. 27, 1988.  
 NEC Multispeed, Spring '88.  
 Samsung S5200, May 10, 1988.  
 Datavue Snap 1+1, May 10, 1988.  
 Portable Computer Review, p. 32, May 10, 1988.  
 GridCase 1530 Advertisement, May 10, 1988.  
 NEC MultiSpeed EL Model 2 Brochure, May 10, 1988.  
 Sharp PC-5000 Brochure, May 12, 1988.  
 Japanese Advertisement, May 12, 1988.  
 Sanyo ES 100, May 13, 1988.  
 NEC PC-9801 LV 21 Brochure, May 13, 1988.  
 Sharp WV-500, May 19, 1988.  
 Panafacom C-250 LT Brochure, May 19, 1988.  
 Kyosera 386AX, Sep. 1988.  
 NEC PC-9801, Oct. 26, 1988.  
 Sanyo MBC-17LTJ, Oct. 1988.  
 Toshiba T 1600, Nov. 1988.  
 Sanyo MBC 17LTJH, Nov. 28, 1988.  
 Oki, "IF 386 AX", Dec. 9, 1988.  
 Kyosera 386-SX Laptop AX, Jan. 10, 1989.

Seiko-Epson PC-286LS, Feb. 16, 1989.  
NEC PC-9801 LV21, May 13, 1989.  
Fujitsu G-150LT, May 19, 1989.  
Visual Computer Brochure.  
Gavilan Mobile Computer Brochure.  
Olivetti Personal Computer M15 Brochure.  
Epson HC-88, HC80 Brochure.  
Epson PX-8 Personal Computer Brochure.  
Mitsubishi mp286L Laptop Personal Computer Brochure.  
Grid Brochure.  
Dauphin Laptop Computer Brochure.  
MicroDIRECT Brochure.  
SuperSport Brochure.  
Panasonic KX-D4930 Advertisement.  
Ampere WS-1 Advertisement.  
NEC Contrast.  
NEC Starlet PC-8401A Advertisement.  
Victor Technologies, V 286 P Catalog.  
Chaplet Halikan LA-22, Apr. 21, 1989.  
Sharp AX286L, Sep. 29, 1988.  
NEC PC-9801 LX5C, Aug. 23, 1988.

*Primary Examiner*—Wallace R. Burke  
*Assistant Examiner*—Freda S. Nunn

*Attorney, Agent, or Firm*—Banner, Birch, McKie & Beckett

[57]

**CLAIM**

The ornamental design for an electronic computer, as shown and described.

**DESCRIPTION**

FIG. 1 is a top, front and right side perspective view of an electronic computer showing my new design;  
FIG. 2 is a front elevational view thereof;  
FIG. 3 is a rear elevational view thereof;  
FIG. 4 is a top plan view thereof;  
FIG. 5 is a bottom plan view thereof;  
FIG. 6 is a left side elevational view thereof;  
FIG. 7 is a right side elevational view thereof;  
FIG. 8 is a bottom, front and left side perspective view thereof, the display panel in the closed position, the supporting legs in the retracted position and the carrying handle in the extended position;  
FIG. 9 is a front elevational view thereof, the display panel in the closed position and the supporting legs in the retracted position; and,  
FIG. 10 is a top plan view thereof, the display panel in the closed position and the supporting legs in the retracted position.

FIG. 1

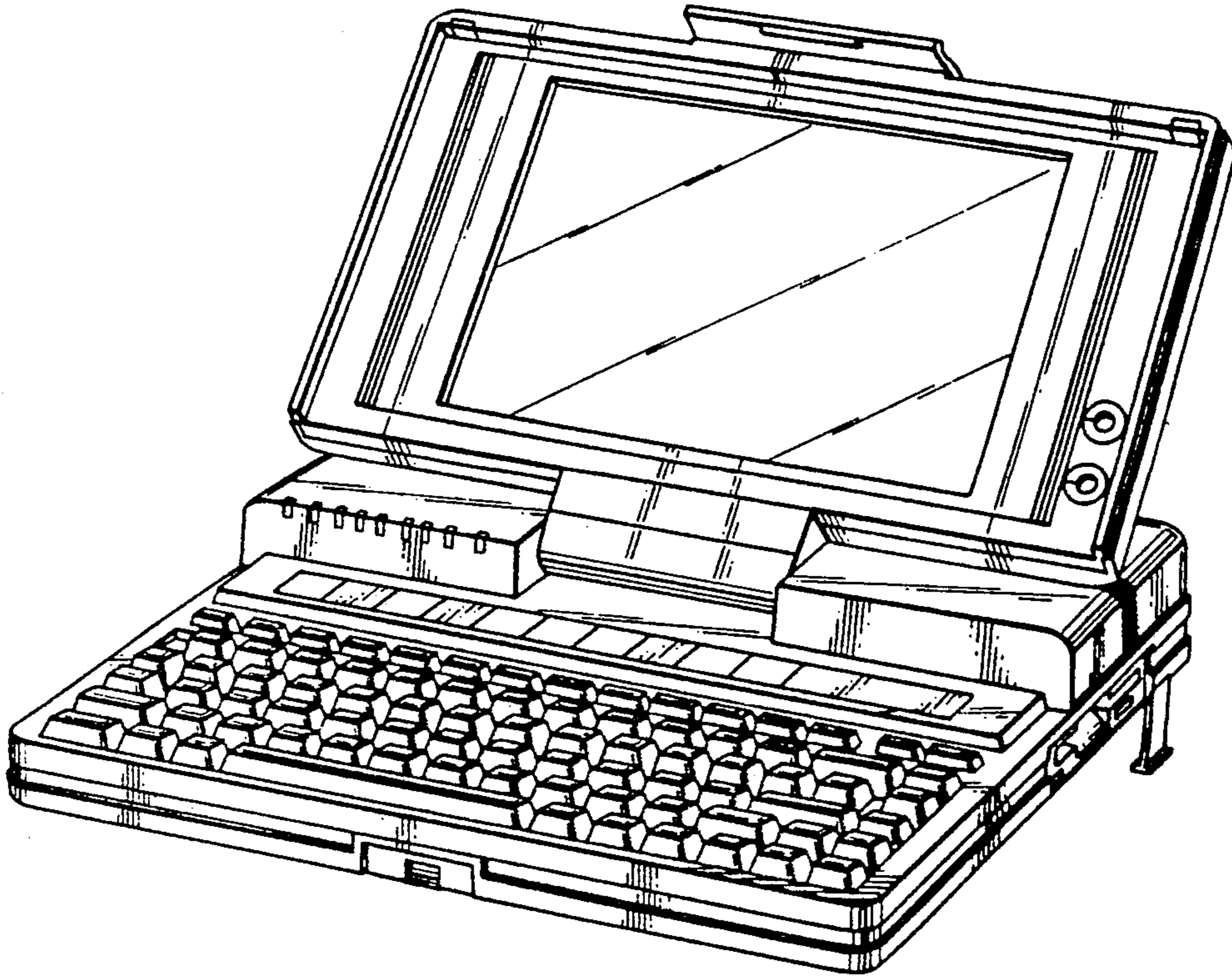


FIG. 2

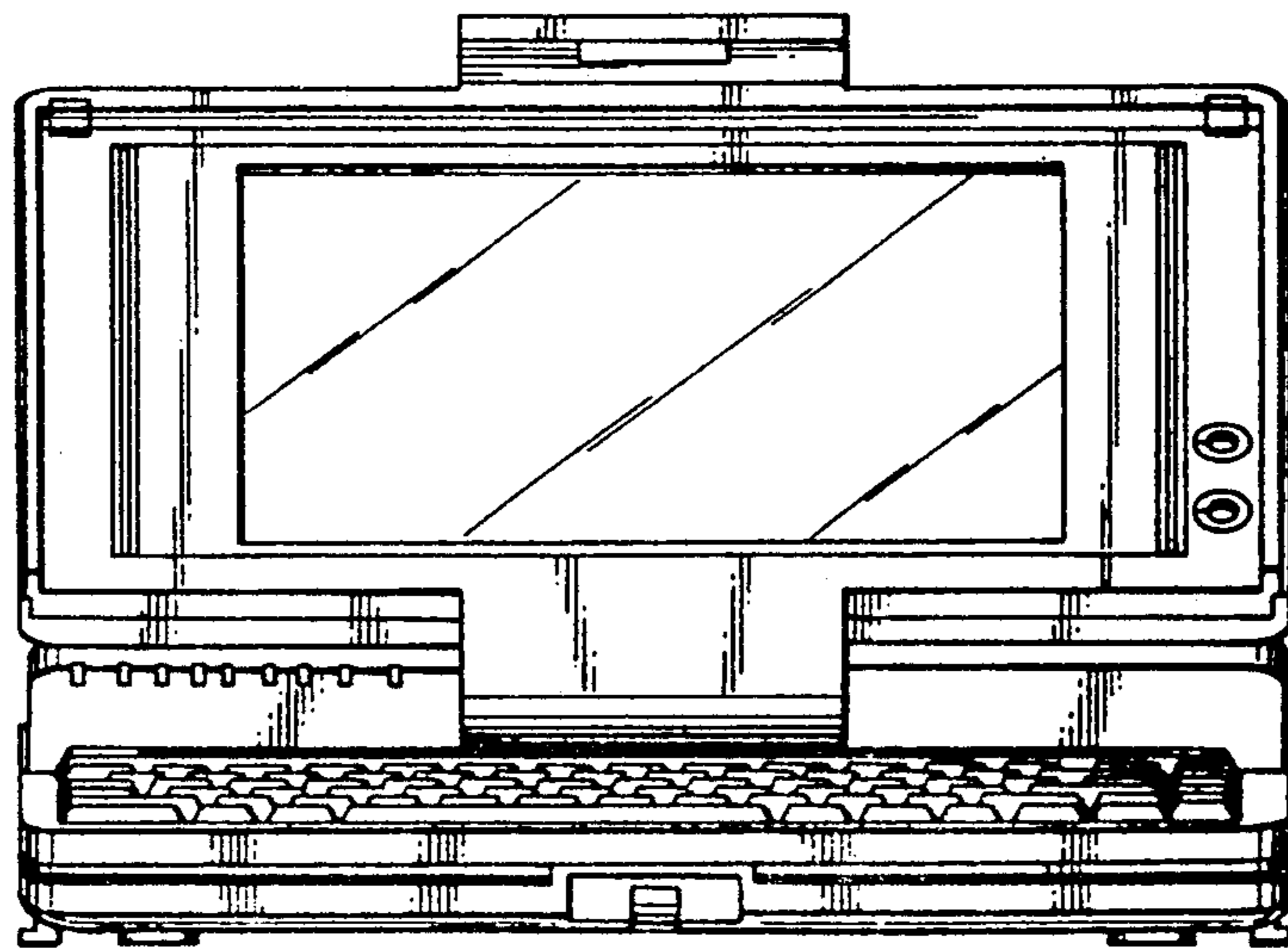


FIG.3

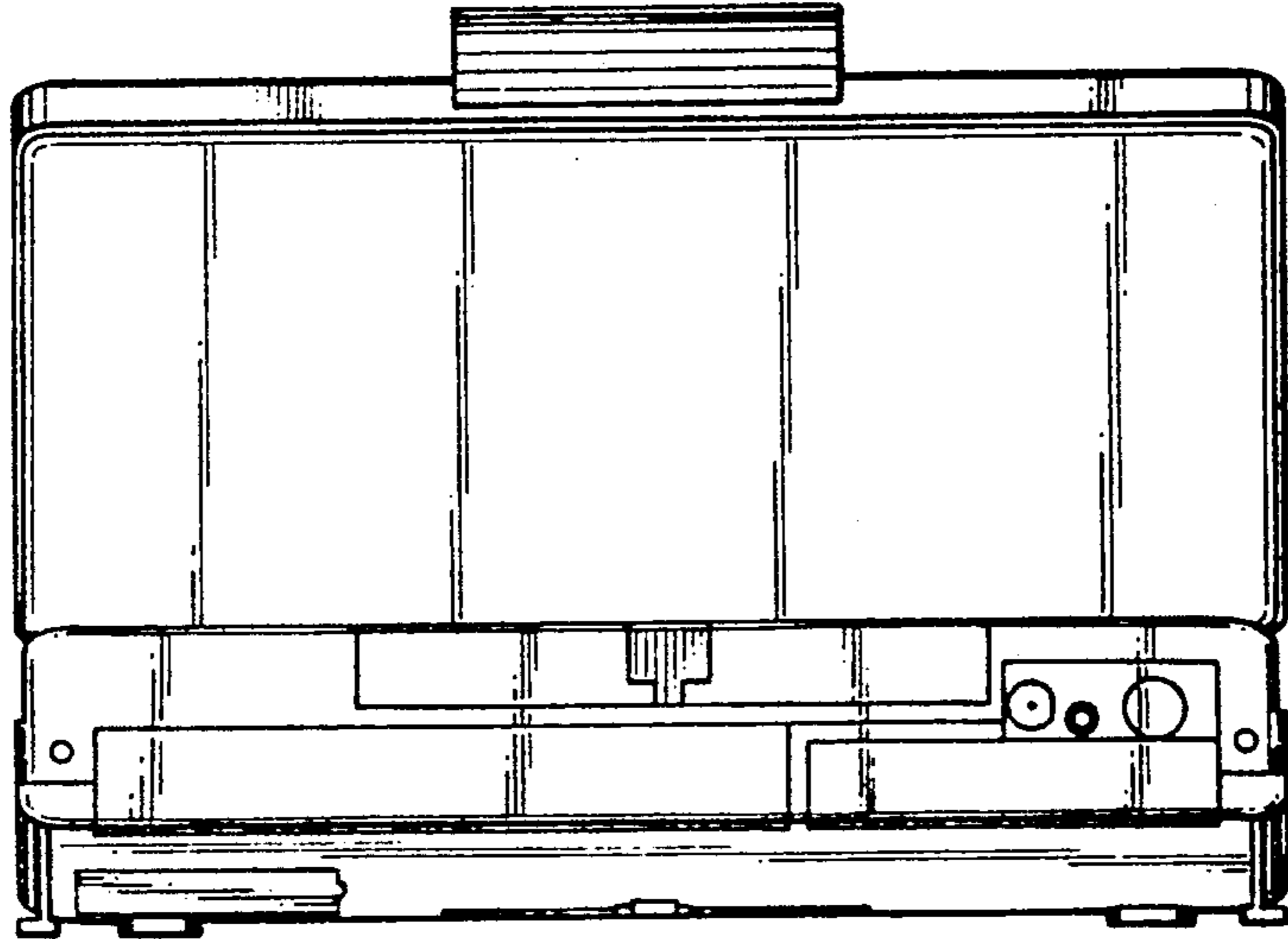


FIG.4

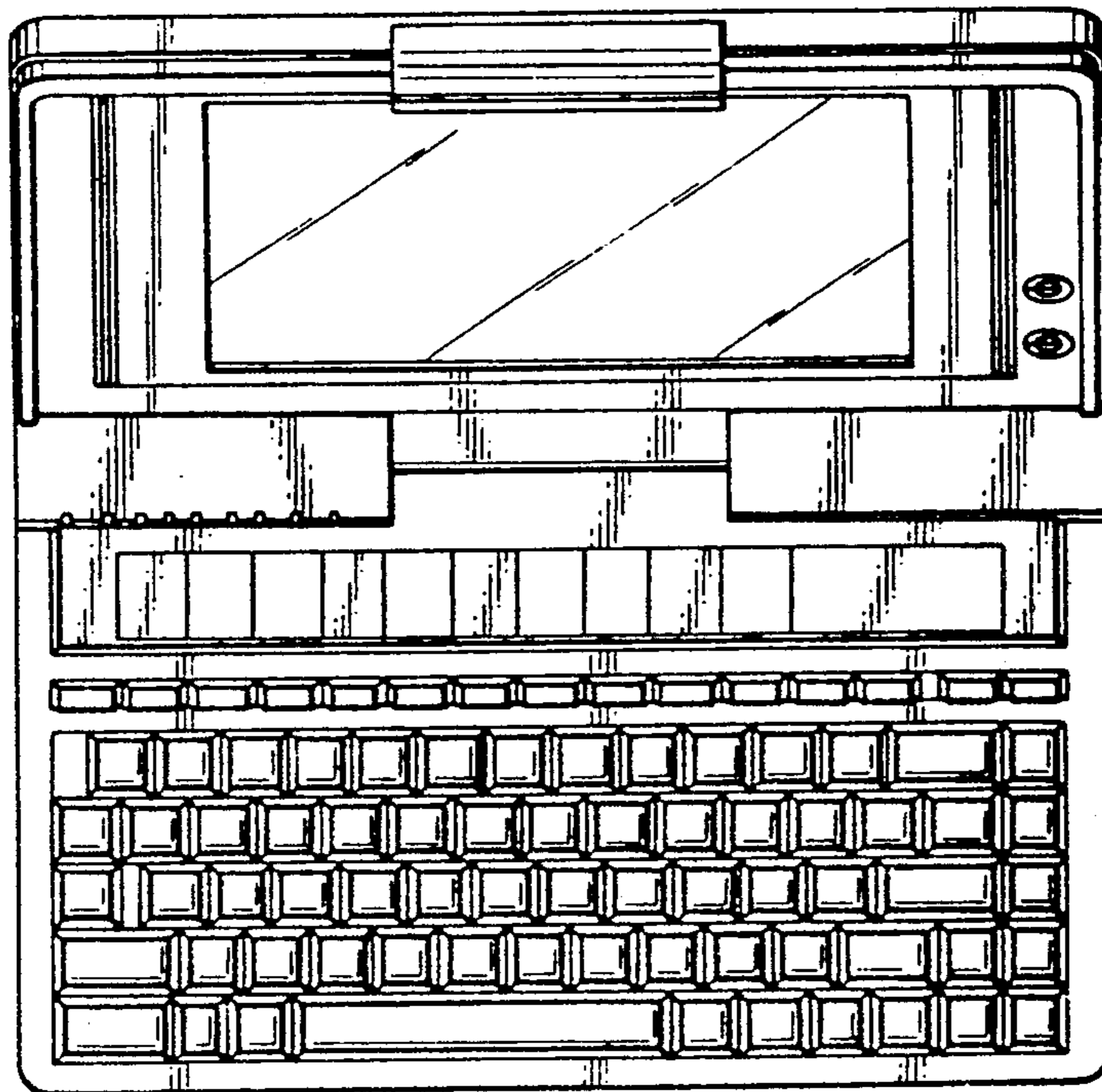


FIG.5

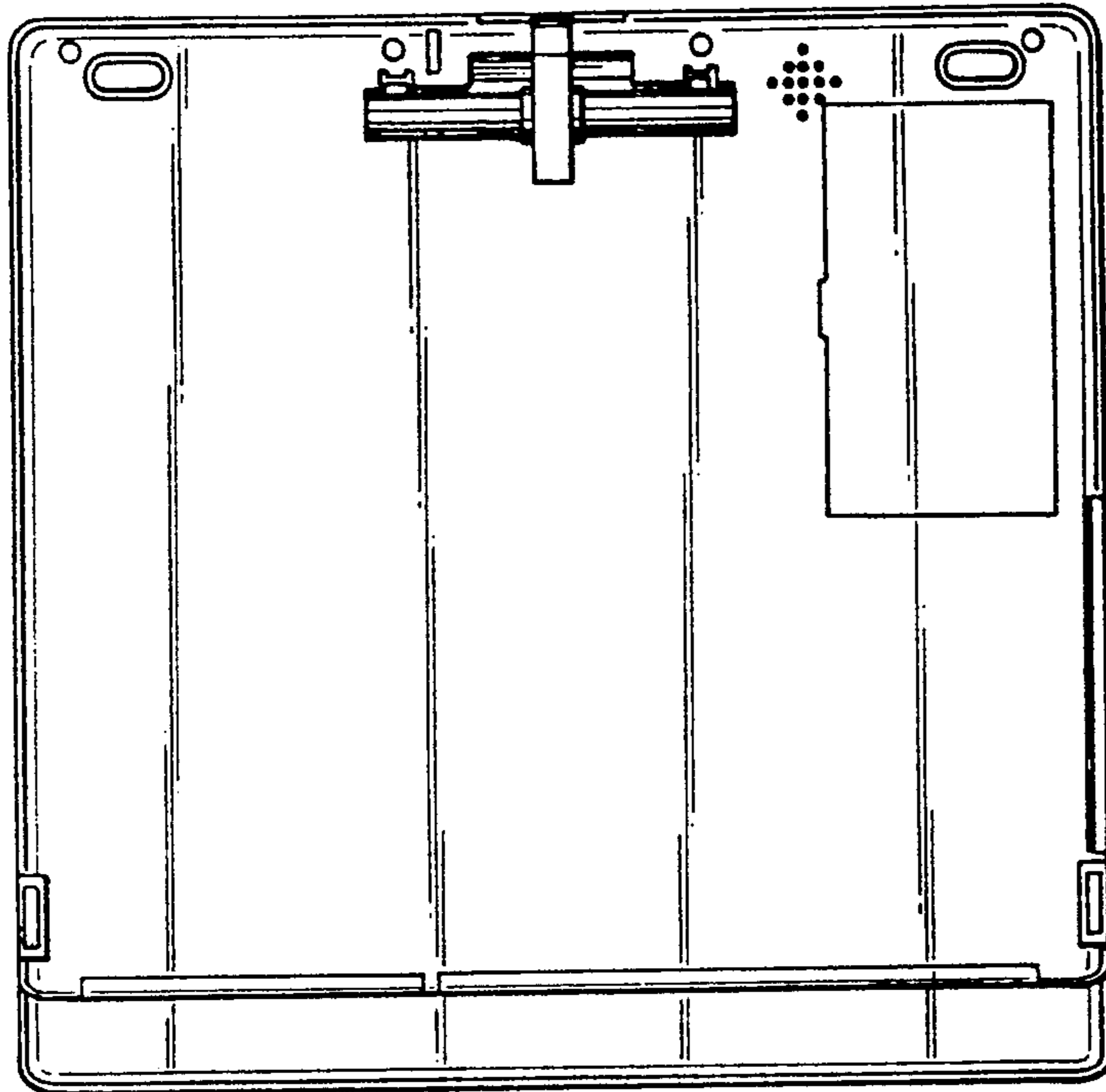


FIG.6

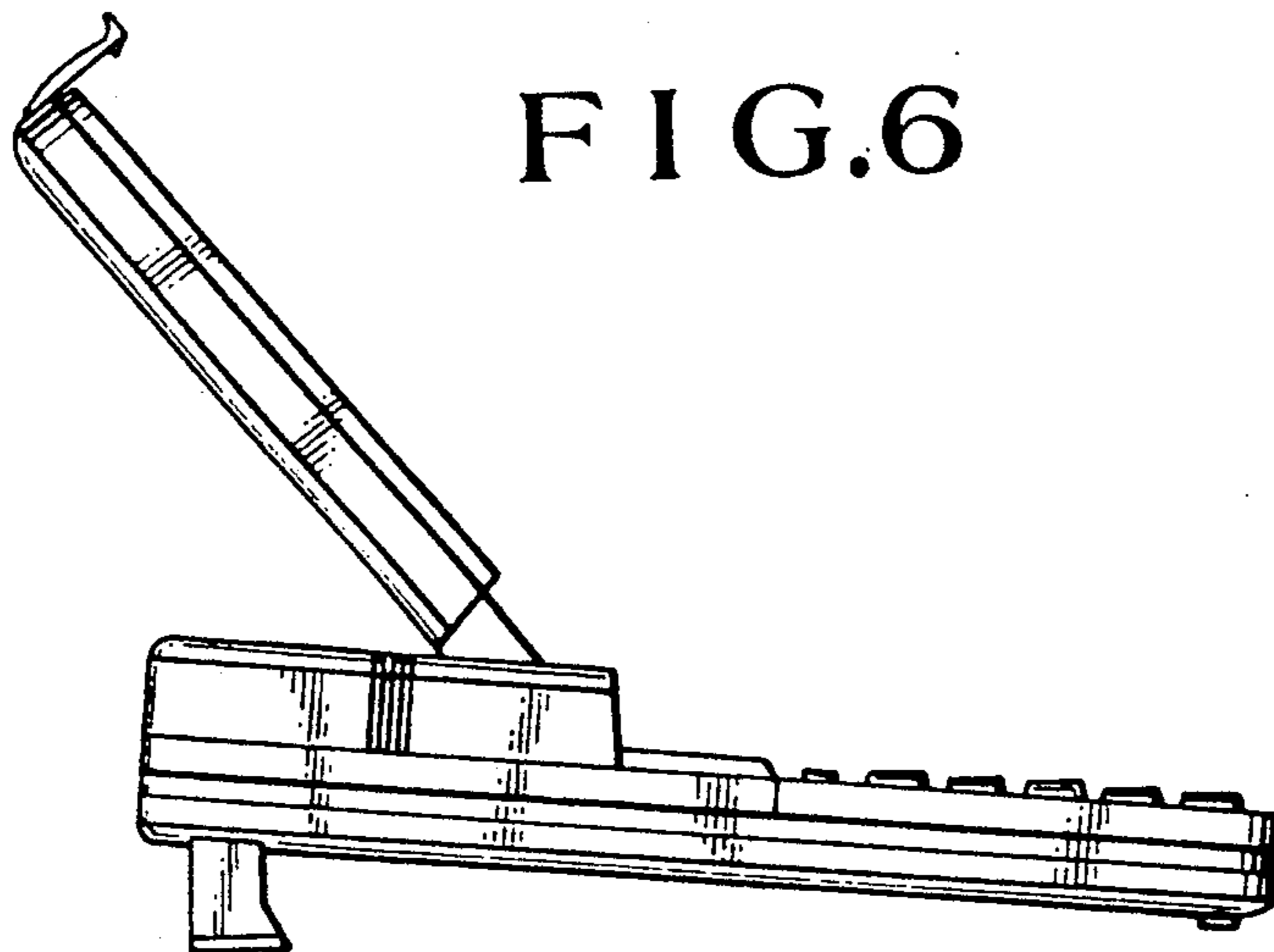


FIG. 7

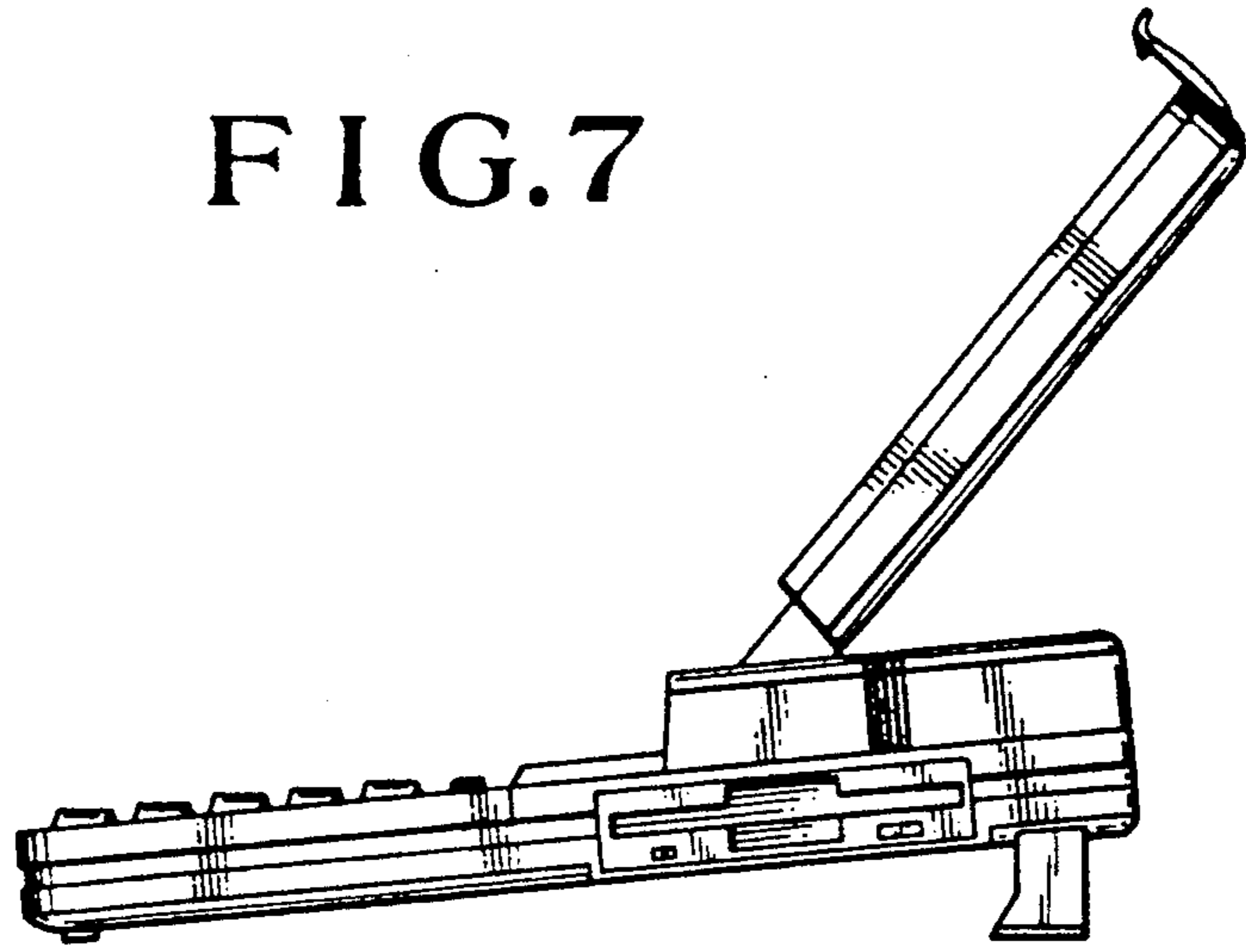


FIG. 8

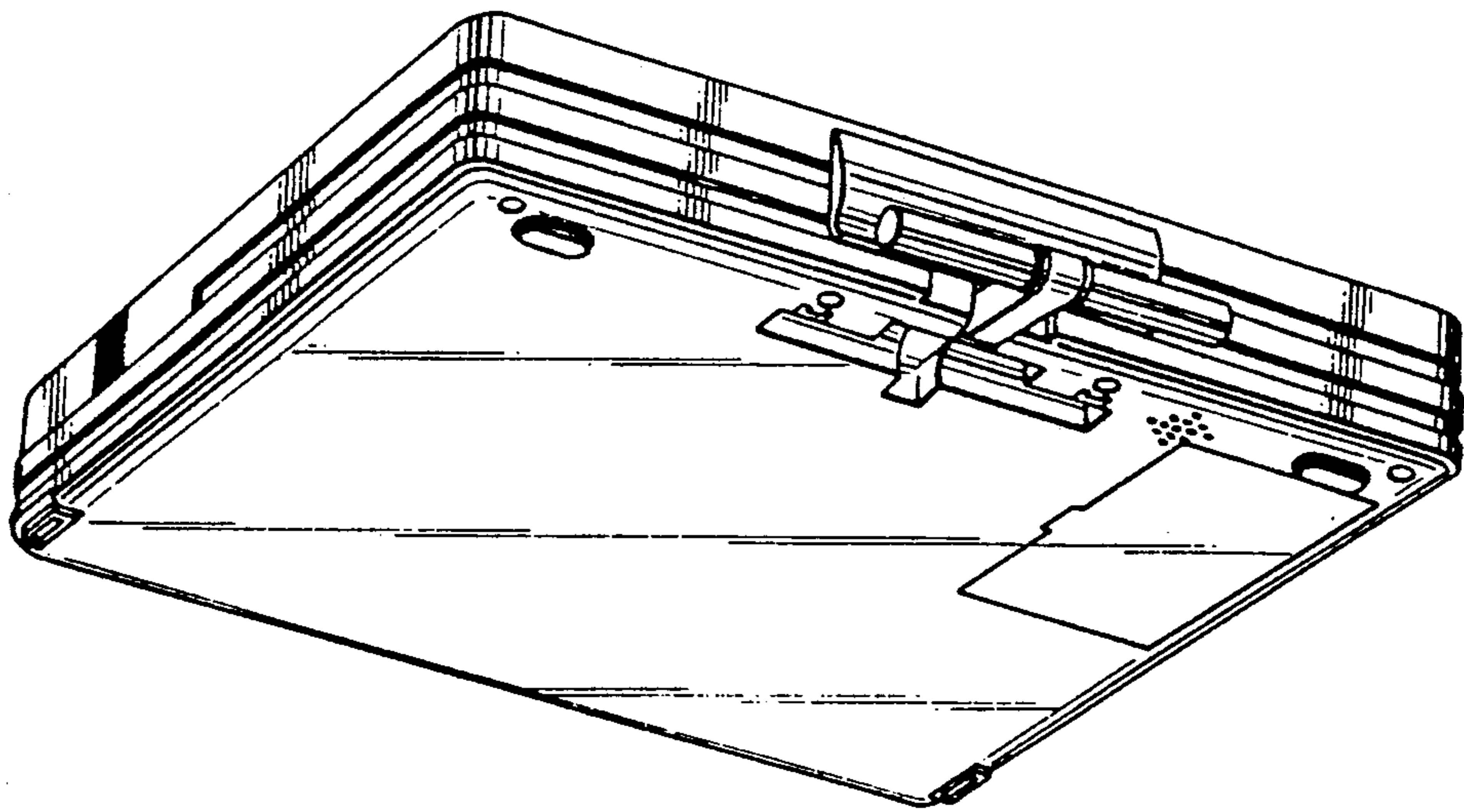


FIG.9

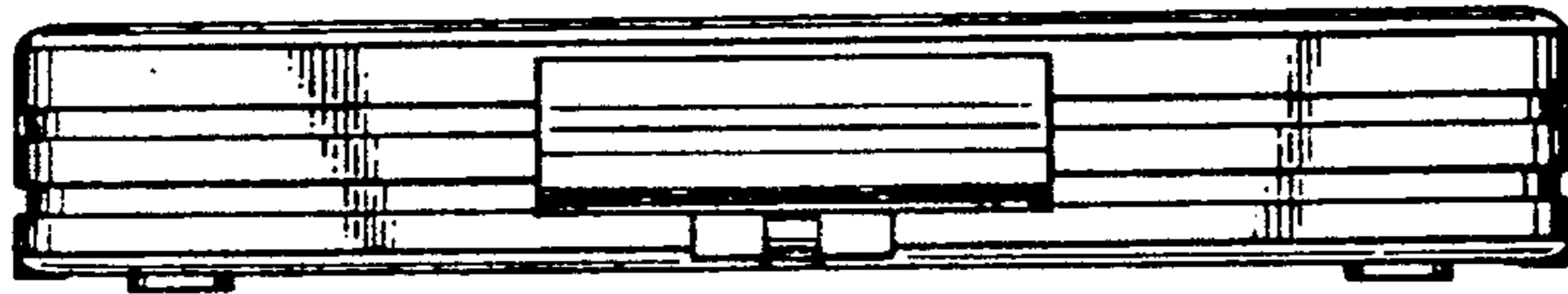


FIG.10

