



US00D326647S

United States Patent [19]

Riley et al.

[11] Patent Number: **Des. 326,647**

[45] Date of Patent: *** Jun. 2, 1992**

[54] **COMPUTER SYSTEM OR SIMILAR ARTICLE**

[75] Inventors: **Raymond W. Riley; Robert D. Brunner**, both of San Jose; **Kenneth D. Wood**, Woodside, all of Calif.

[73] Assignee: **Apple Computer, Inc.**, Cupertino, Calif.

[*] Notice: The portion of the term of this patent subsequent to Jun. 2, 2006 has been disclaimed.

[**] Term: **14 Years**

[21] Appl. No.: **586,045**

[22] Filed: **Sep. 20, 1990**

[52] U.S. Cl. **D14/106; D14/100**

[58] Field of Search **D14/100, 101, 105, 106, D14/113; D18/1, 7, 11, 12; 340/700, 706, 711, 712; 358/248, 249, 254, 255; 364/706-709.09**

[56] **References Cited**

U.S. PATENT DOCUMENTS

- D. 310.067 8/1990 Koprowski et al. D14/106
- D. 314.559 2/1991 Foster et al. D14/106

D. 319.818 9/1991 Yomo et al. D14/106

Primary Examiner—Wallace R. Burke
Assistant Examiner—Freda S. Nunn
Attorney, Agent, or Firm—Franklyn C. Weiss

[57] **CLAIM**

The ornamental design for a computer system or similar article, as shown and described.

DESCRIPTION

FIG. 1 is a top, front, right side perspective view of a computer system or similar article, showing our new design;

FIG. 2 is a front elevational view thereof on an enlarged scale;

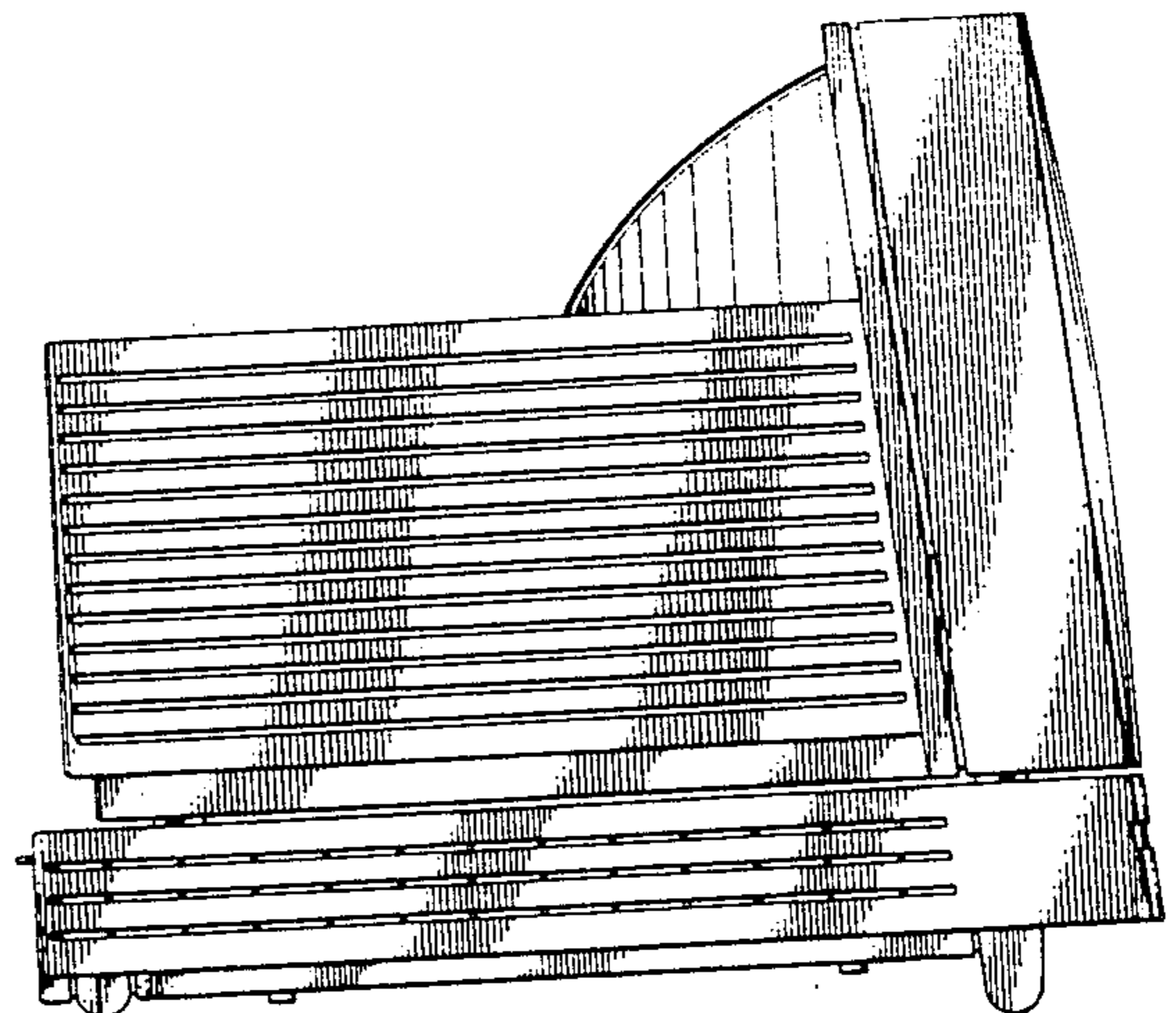
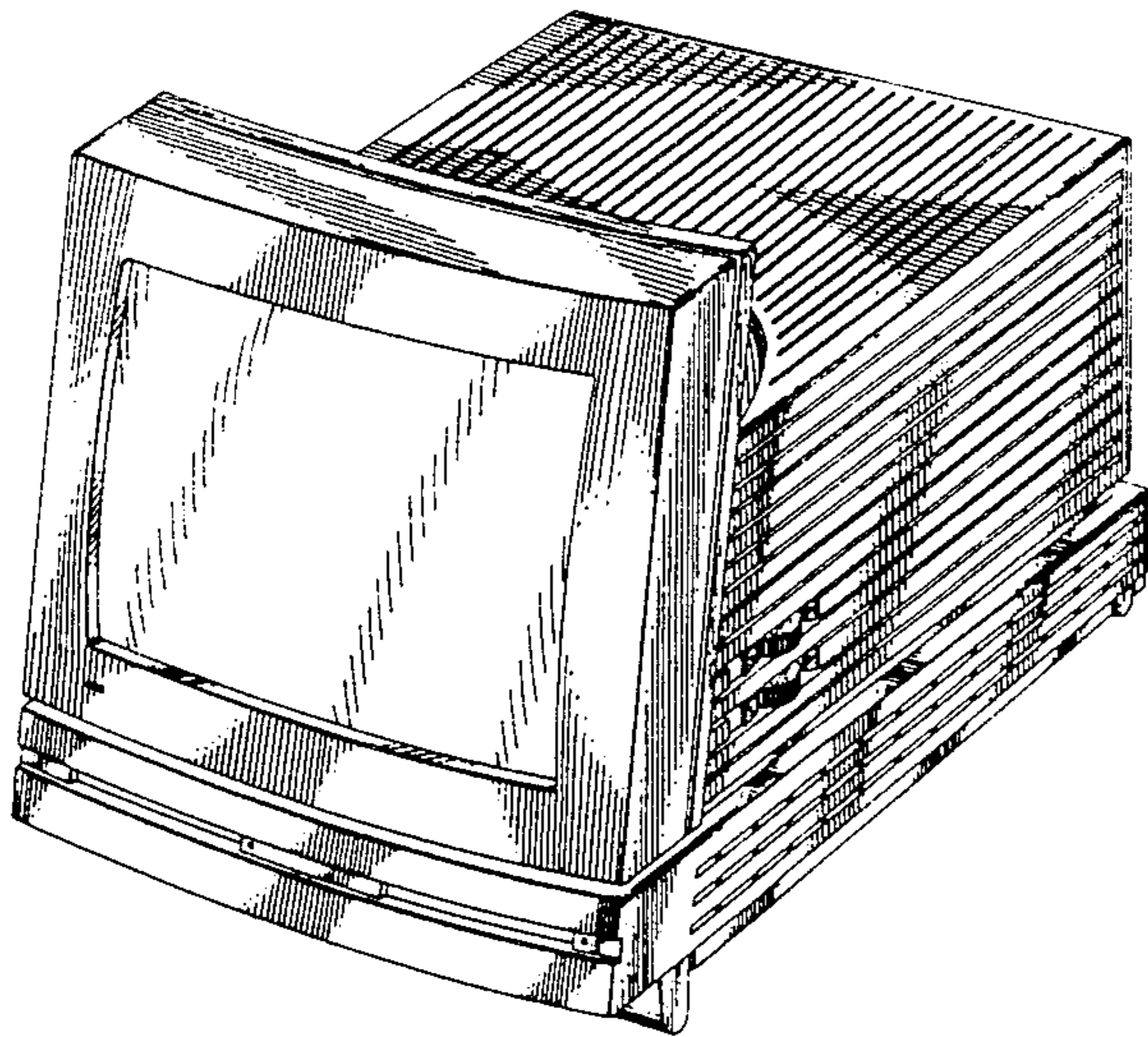
FIG. 3 is a rear elevational view thereof on an enlarged scale;

FIG. 4 is a left side elevational view thereof on an enlarged scale;

FIG. 5 is a right side elevational view thereof on an enlarged scale;

FIG. 6 is a top plan view thereof on an enlarged scale; and,

FIG. 7 is a bottom plan view thereof on an enlarged scale.



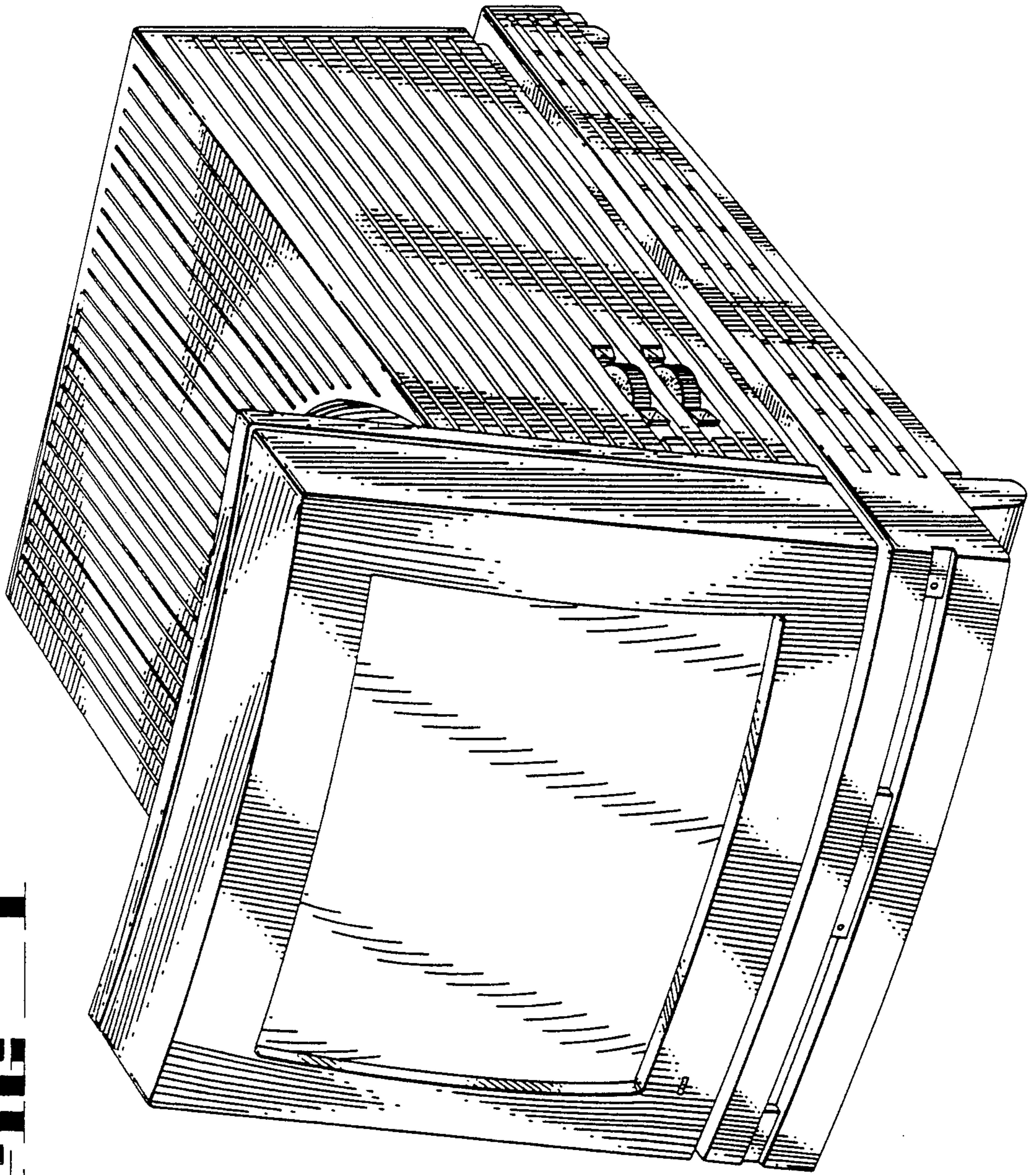


FIG. 1

FIG 2

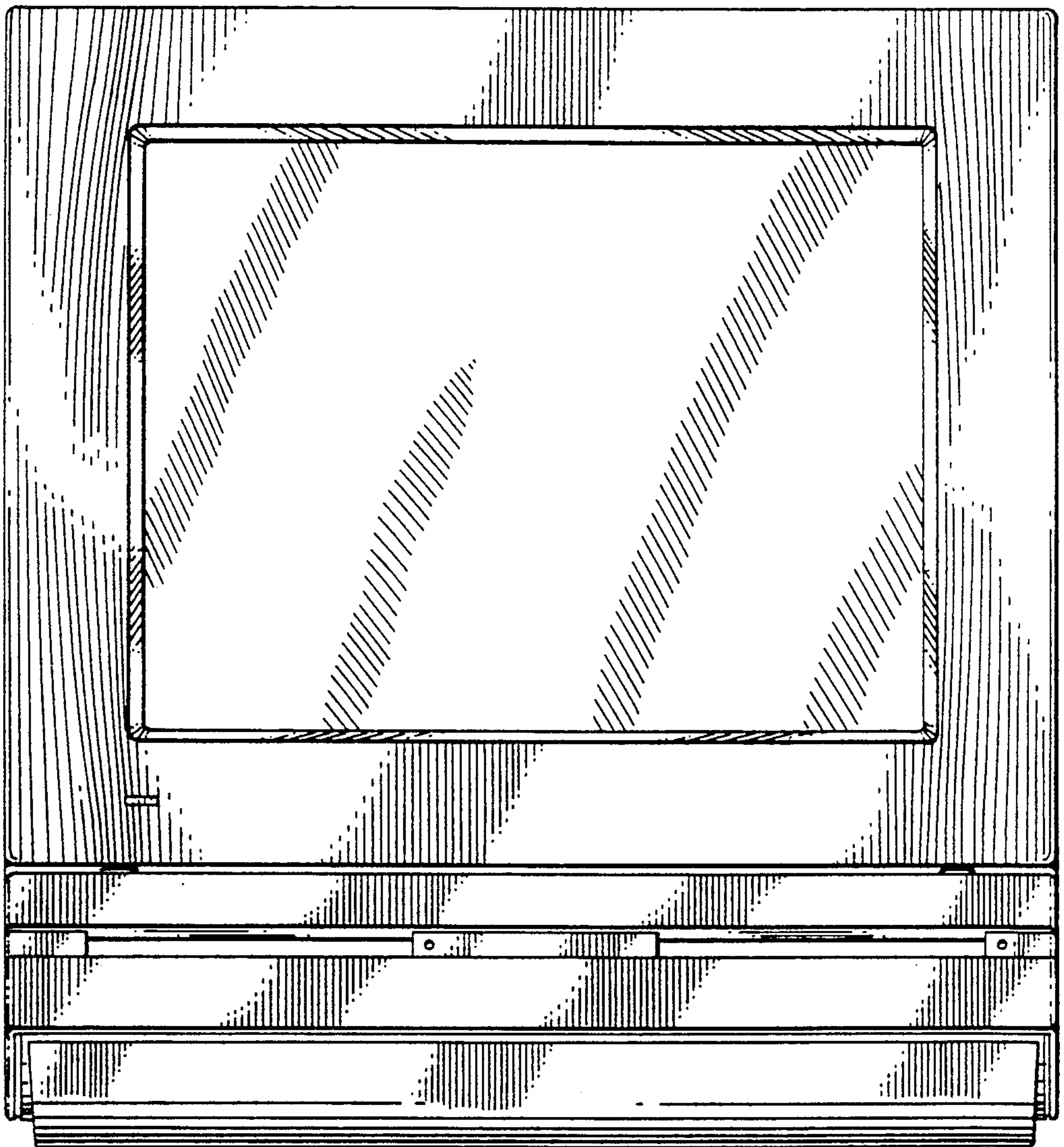
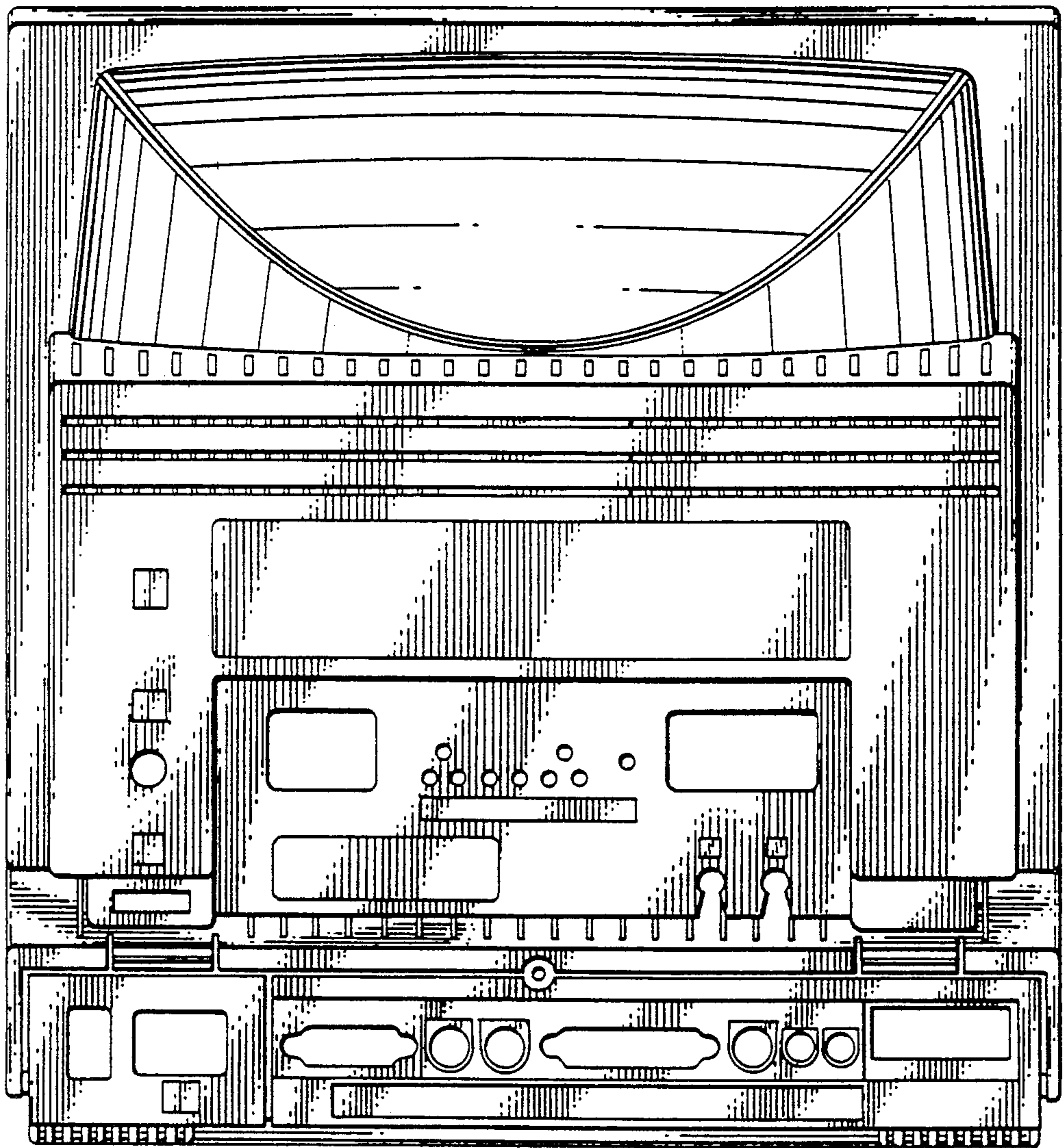


FIG 3



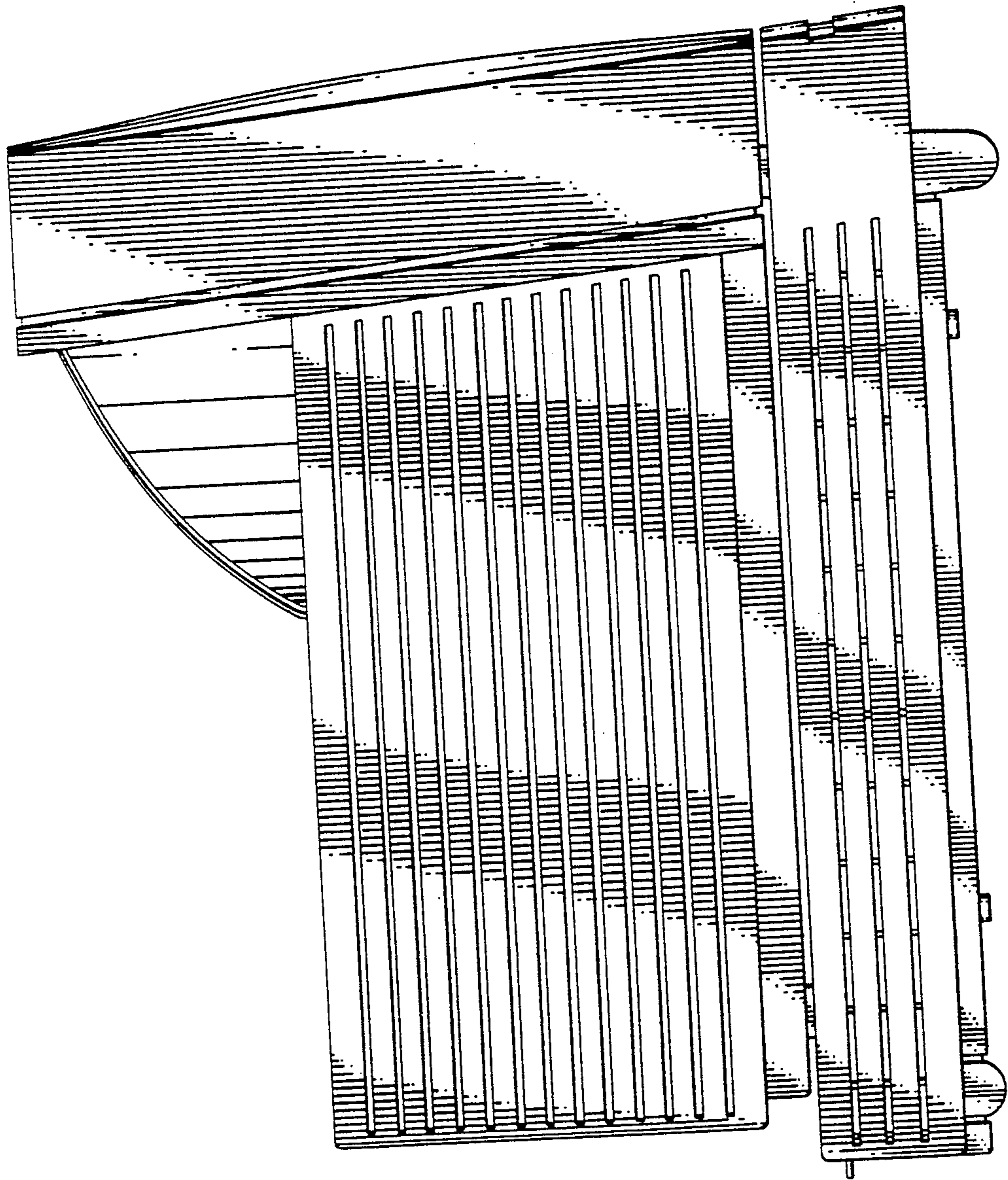
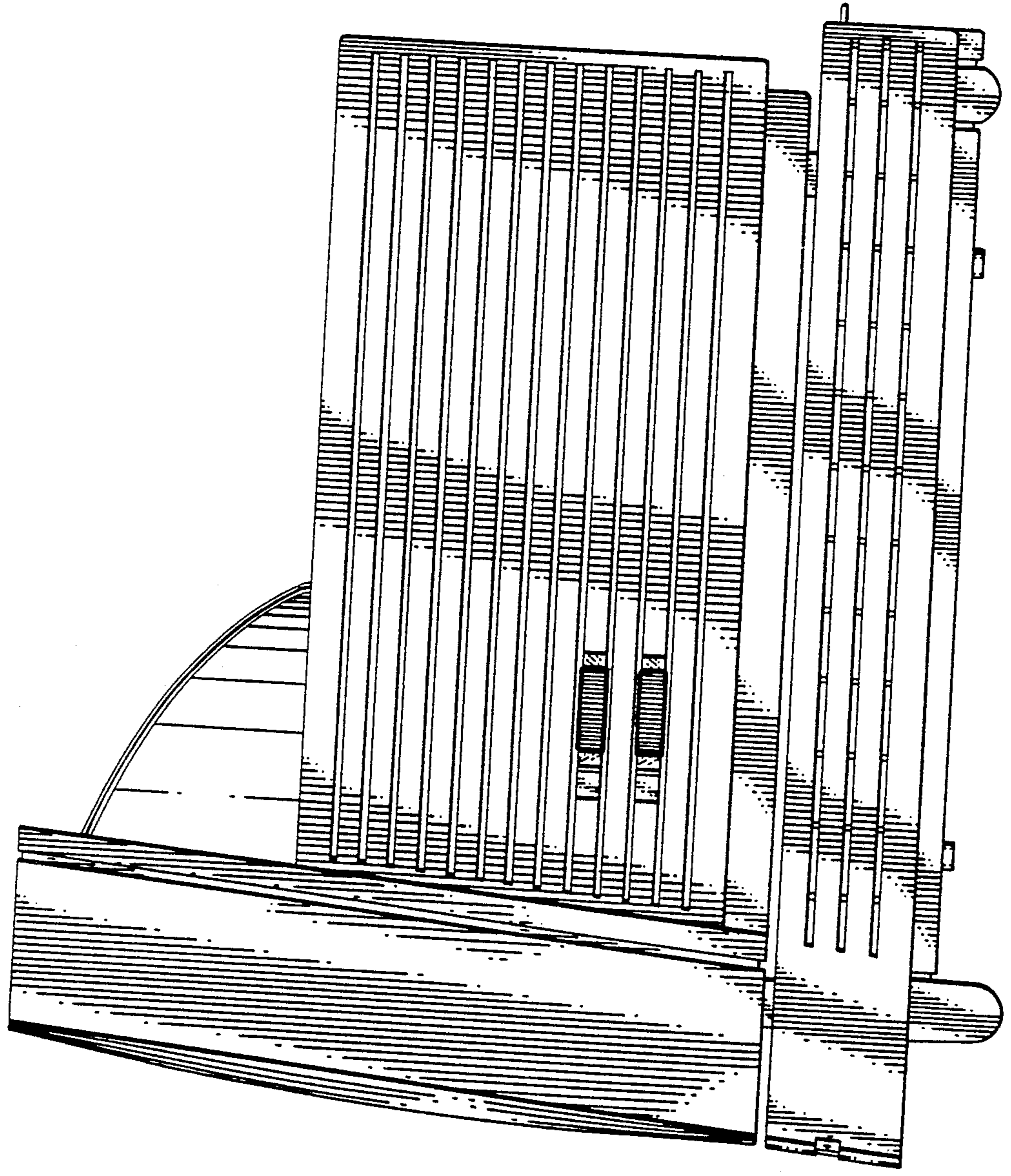


FIG 4



FILE

FIG 6

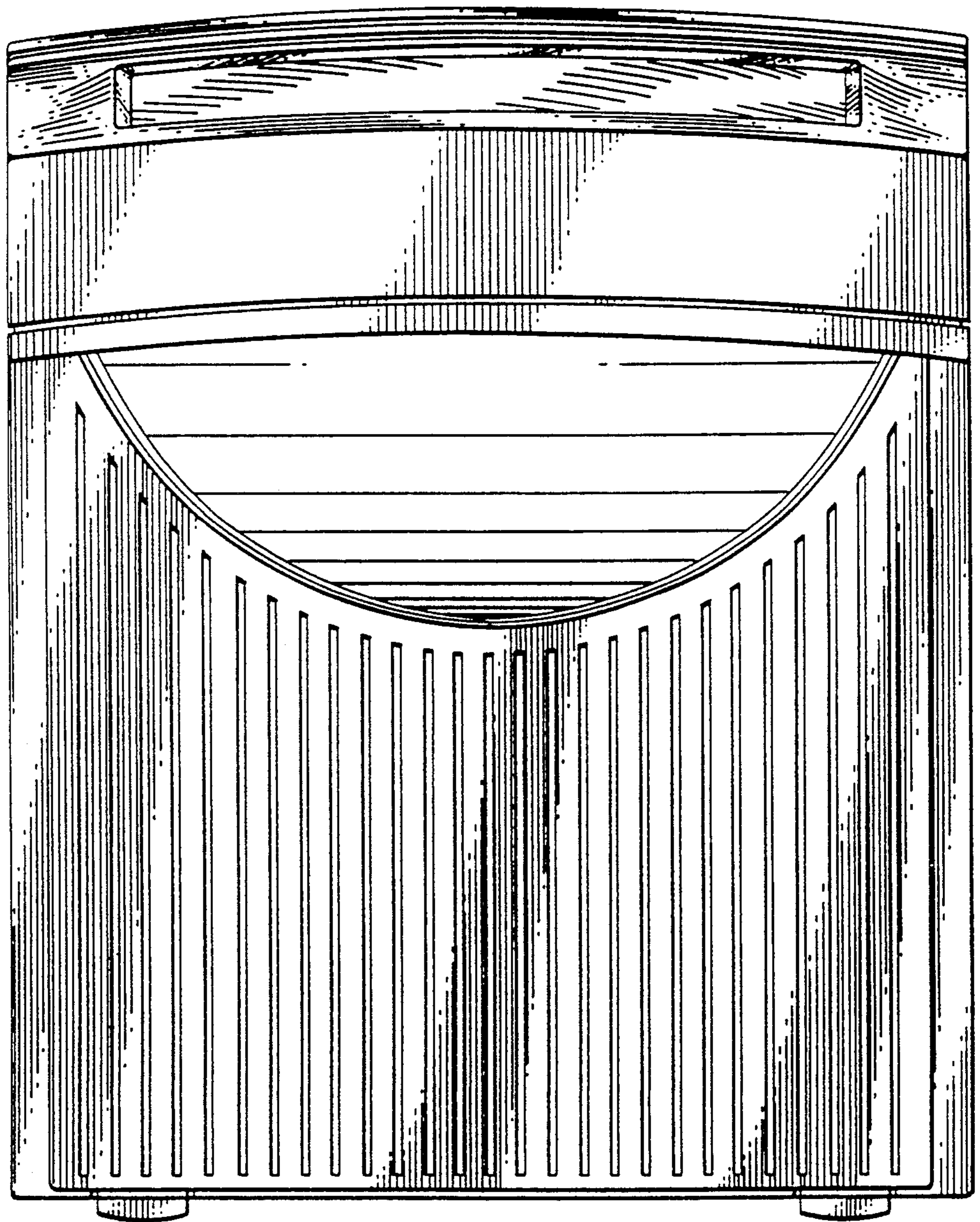


FIG 7

