



US00D326646S

United States Patent [19]

[11] Patent Number: **Des. 326,646**

Matsui

[45] Date of Patent: **** Jun. 2, 1992**

- [54] **ELECTRIC NOISE ABSORBER**
- [75] Inventor: **Kazuhiro Matsui, Toyoake, Japan**
- [73] Assignee: **Kitagawa Industries Co., Ltd., Aichi, Japan**
- [**] Term: **14 Years**
- [21] Appl. No.: **388,370**
- [22] Filed: **Aug. 2, 1989**

3,725,832	4/1973	Schweitzer, Jr.	336/176
3,757,031	9/1973	Izraeli .	
3,831,124	8/1974	D'Alessio	336/176
3,838,213	9/1974	Georgopoulos et al. .	
4,219,693	8/1980	French	174/92
4,426,108	1/1984	Kesselman .	
4,818,957	4/1989	Cort .	
4,825,185	4/1989	Matsui .	
4,882,561	11/1989	Fujioka .	
4,964,012	10/1990	Kitagawa .	
4,964,013	10/1990	Kitagawa .	
4,970,476	11/1990	Kitagawa .	
4,983,932	1/1991	Kitagawa .	

Related U.S. Application Data

- [60] Division of Ser. No. 368,943, Jun. 13, 1989, abandoned, which is a continuation of Ser. No. 141,782, Jan. 11, 1988, abandoned.

[30] Foreign Application Priority Data

- Jan. 20, 1987 [JP] Japan 62-10734
- [52] U.S. Cl. **D13/199; D13/156**
- [58] Field of Search **D13/123, 133, 183, 184, D13/156, 199; 174/92; 324/127; 333/12; 336/90, 92, 233, 212, 175, 176**

[56] References Cited

U.S. PATENT DOCUMENTS

D. 313,791	1/1991	Matsui	D13/199
D. 314,371	2/1991	Matsui	D13/156
D. 315,334	3/1991	Fujioka	D13/199
D. 317,909	7/1991	Fujioka	D13/199
D. 319,217	8/1991	Fujioka	D13/199
2,932,805	4/1960	Doherty .	
3,018,455	1/1962	Brandon, Jr. et al. .	
3,339,011	8/1967	Ewers, Jr. et al.	174/92

FOREIGN PATENT DOCUMENTS

54-129316 10/1979 Japan .

Primary Examiner—B. J. Bullock
Attorney, Agent, or Firm—Oliff & Berridge

[57] CLAIM

The ornamental design for an electric noise absorber, as shown and described.

DESCRIPTION

FIG. 1 is a perspective view of an electric noise absorber showing my new design, the wire being shown in broken lines for illustrative purposes only;
 FIG. 2 is a perspective view thereof;
 FIG. 3 is a front view thereof, the rear view being a mirror image;
 FIG. 4 is a right side view thereof;
 FIG. 5 is a left side view thereof;
 FIG. 6 is a top view thereof; and,
 FIG. 7 is a bottom view thereof.

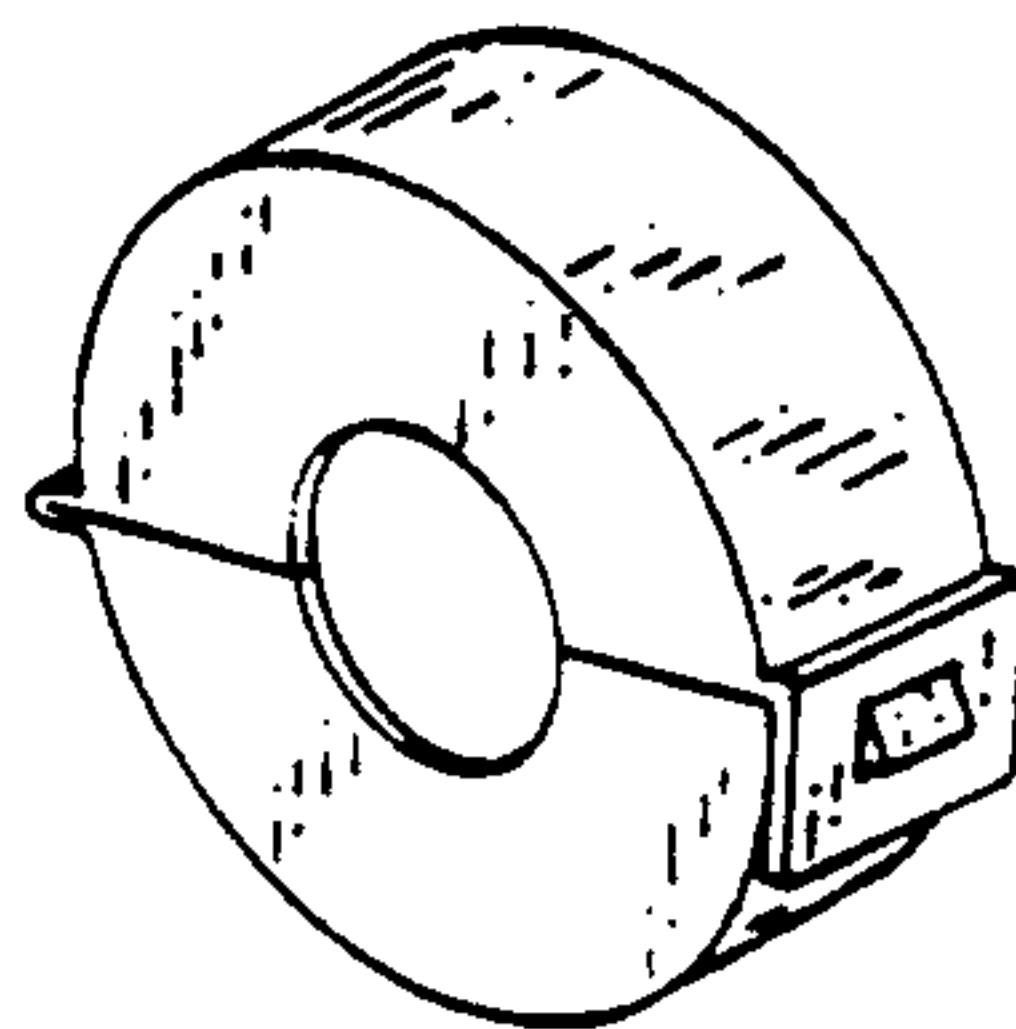
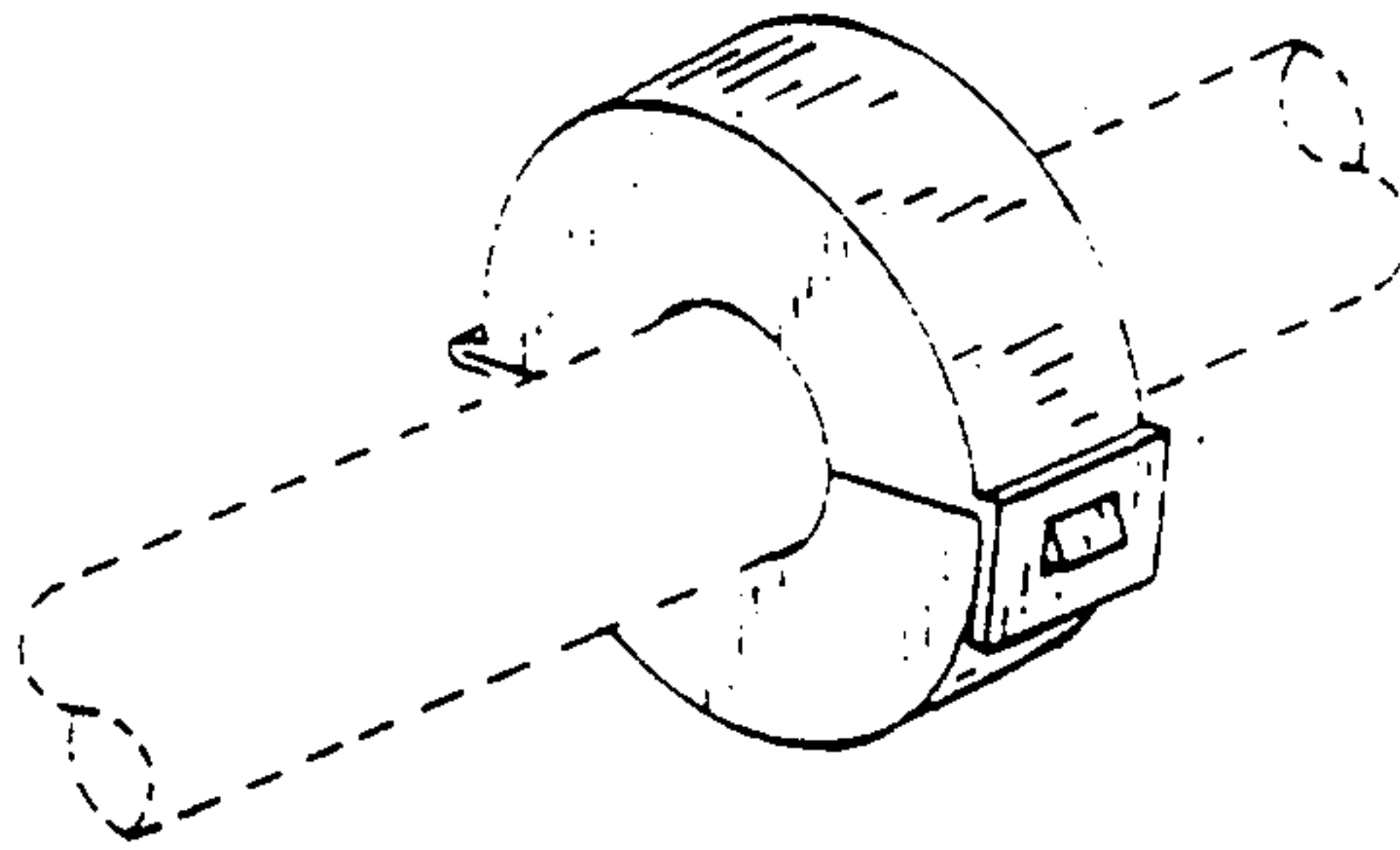


FIG. 1

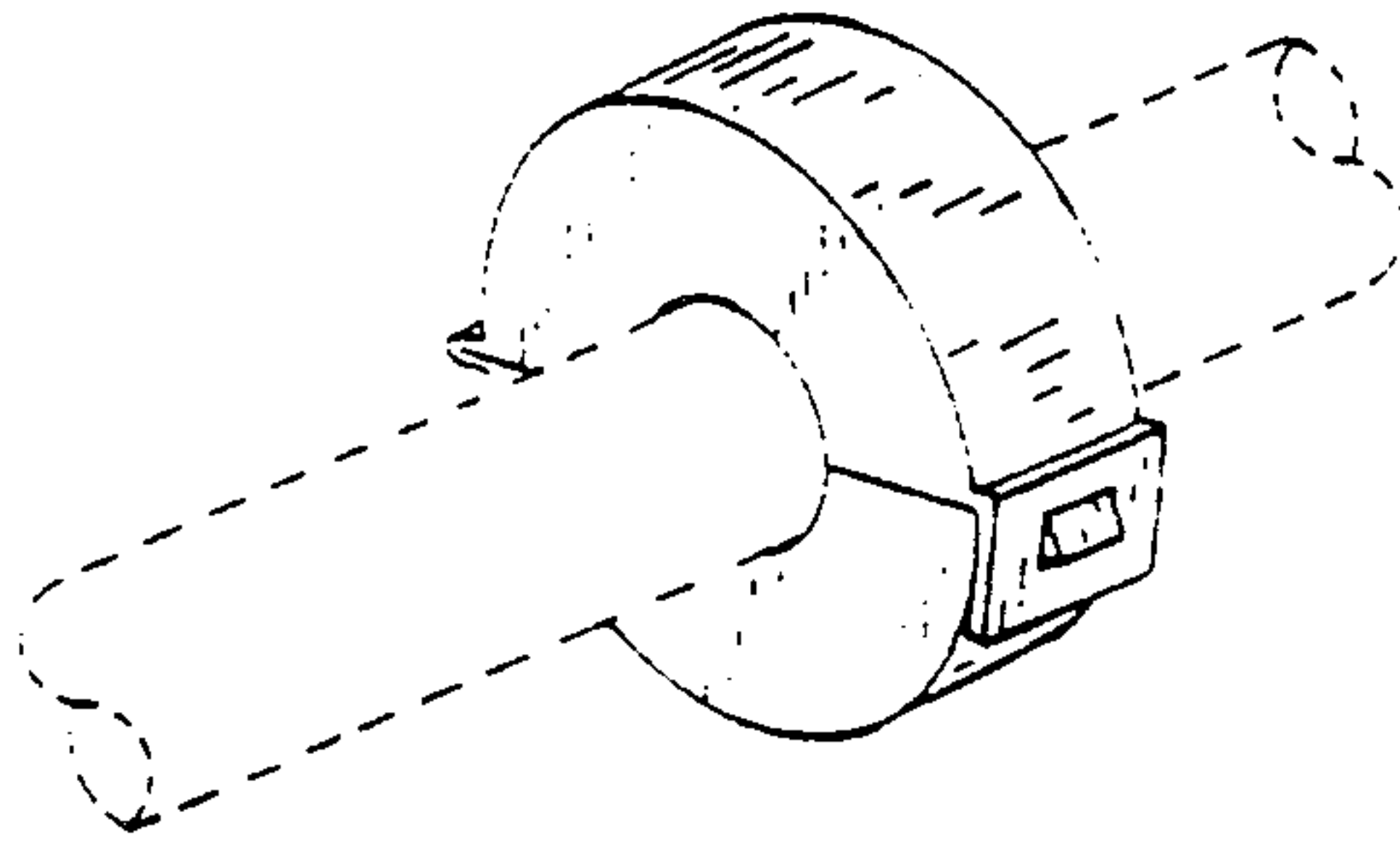
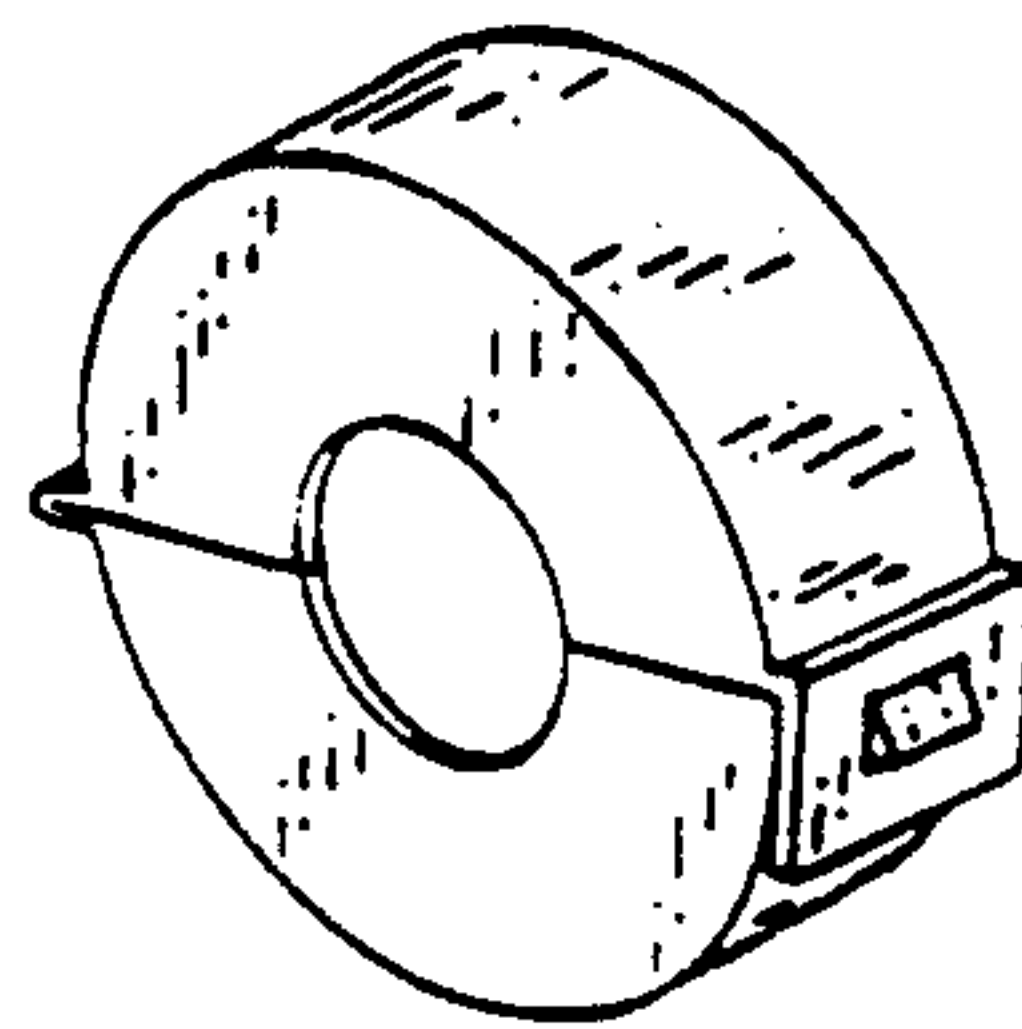


FIG. 2



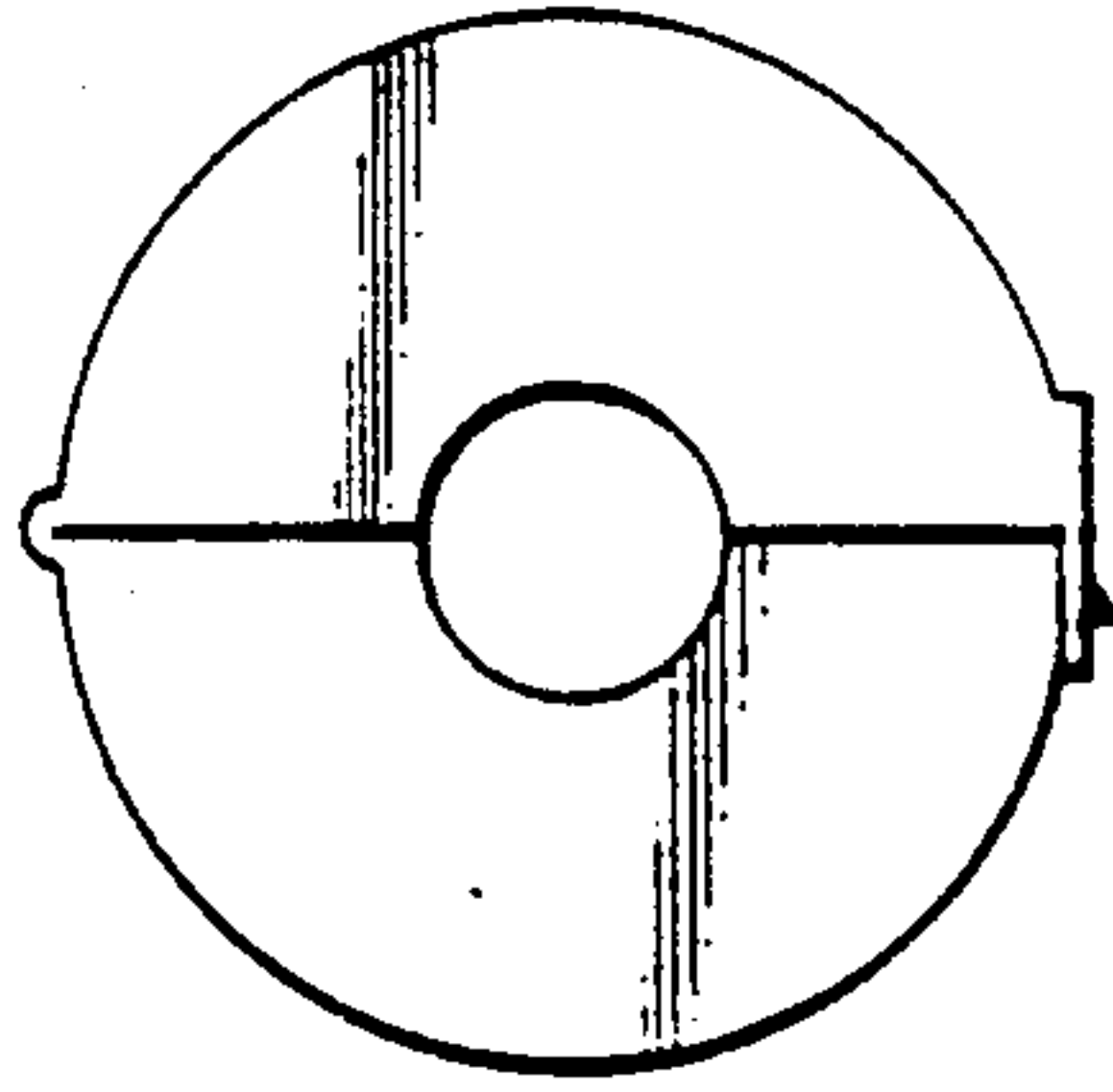


FIG. 3



FIG. 4

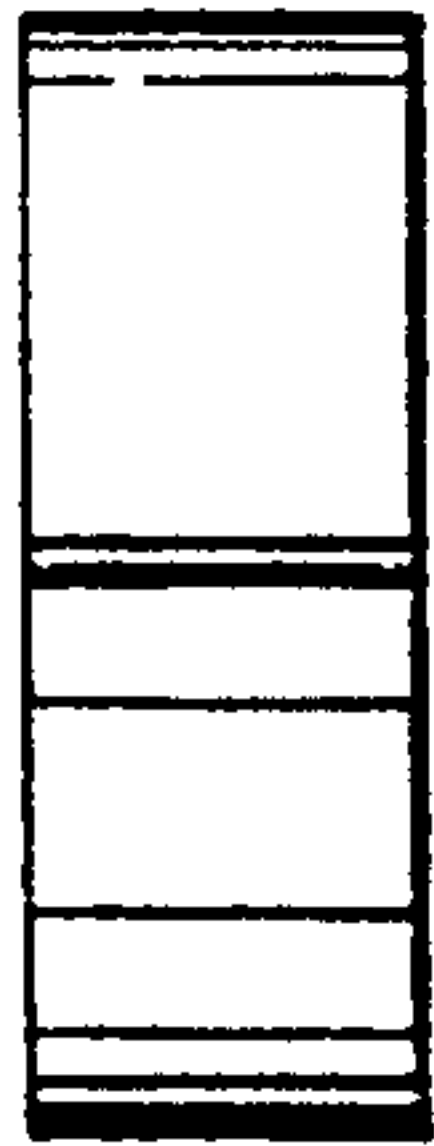


FIG. 5



FIG. 6



FIG. 7