



US00D326643S

United States Patent [19]

[11] Patent Number: **Des. 326,643**

Ohkura et al.

[45] Date of Patent: **** Jun. 2, 1992**

[54] **HOUSING FOR AN ELECTRICAL CONNECTOR**

[75] Inventors: **Kenji Ohkura, Hisai; Shinichi Uchida,**
Yokkaichi, both of Japan

[73] Assignee: **Sumitomo Wiring Systems, Ltd.,**
Yokkaichi, Japan

[**] Term: **14 Years**

[21] Appl. No.: **441,422**

[22] Filed: **Nov. 22, 1989**

[30] **Foreign Application Priority Data**

May 26, 1989 [JP] Japan 1-19362

[52] U.S. Cl. **D13/147**

[58] Field of Search D13/133, 146, 147;
439/271, 275, 279, 282, 293, 297, 350, 352, 353,
357, 358, 571, 586, 587, 589, 595, 596, 598, 600,
680, 682, 685, 686, 687, 695, 701, 724, 744, 748,
752

[56] **References Cited**

U.S. PATENT DOCUMENTS

3,824,524 7/1974 Glover 439/282
4,708,662 11/1987 Klein 439/353
4,721,482 1/1988 Fukuda et al. 439/586 X
4,802,869 2/1989 Maue 439/597
4,806,123 2/1989 Konishi et al. 439/595

FOREIGN PATENT DOCUMENTS

0147956 7/1985 European Pat. Off. 439/595
0277822 8/1988 European Pat. Off. 439/595

Primary Examiner—Susan J. Lucas
Assistant Examiner—J. Sincavage
Attorney, Agent, or Firm—Nils H. Ljungman &
Associates

[57] **CLAIM**

The ornamental design for a housing for an electrical connector, as shown and described.

DESCRIPTION

FIG. 1 is a front and upper right perspective view of a housing for an electrical connector showing our new design;

FIG. 2 is a top plan view thereof;

FIG. 3 is a front elevational view thereof;

FIG. 4 is a bottom plan view thereof;

FIG. 5 is a right side elevational view thereof;

FIG. 6 is a rear elevational view thereof;

FIG. 7 is a left side elevational view thereof;

FIG. 8 is a cross-sectional view thereof taken along line 8—8 of FIG. 6; and,

FIG. 9 is a cross-sectional view thereof taken along line 9—9 of FIG. 7.

The broken line showing of the apertures on the front and rear is included for the purpose of illustrating environmental elements only and forms no part of the claimed design.

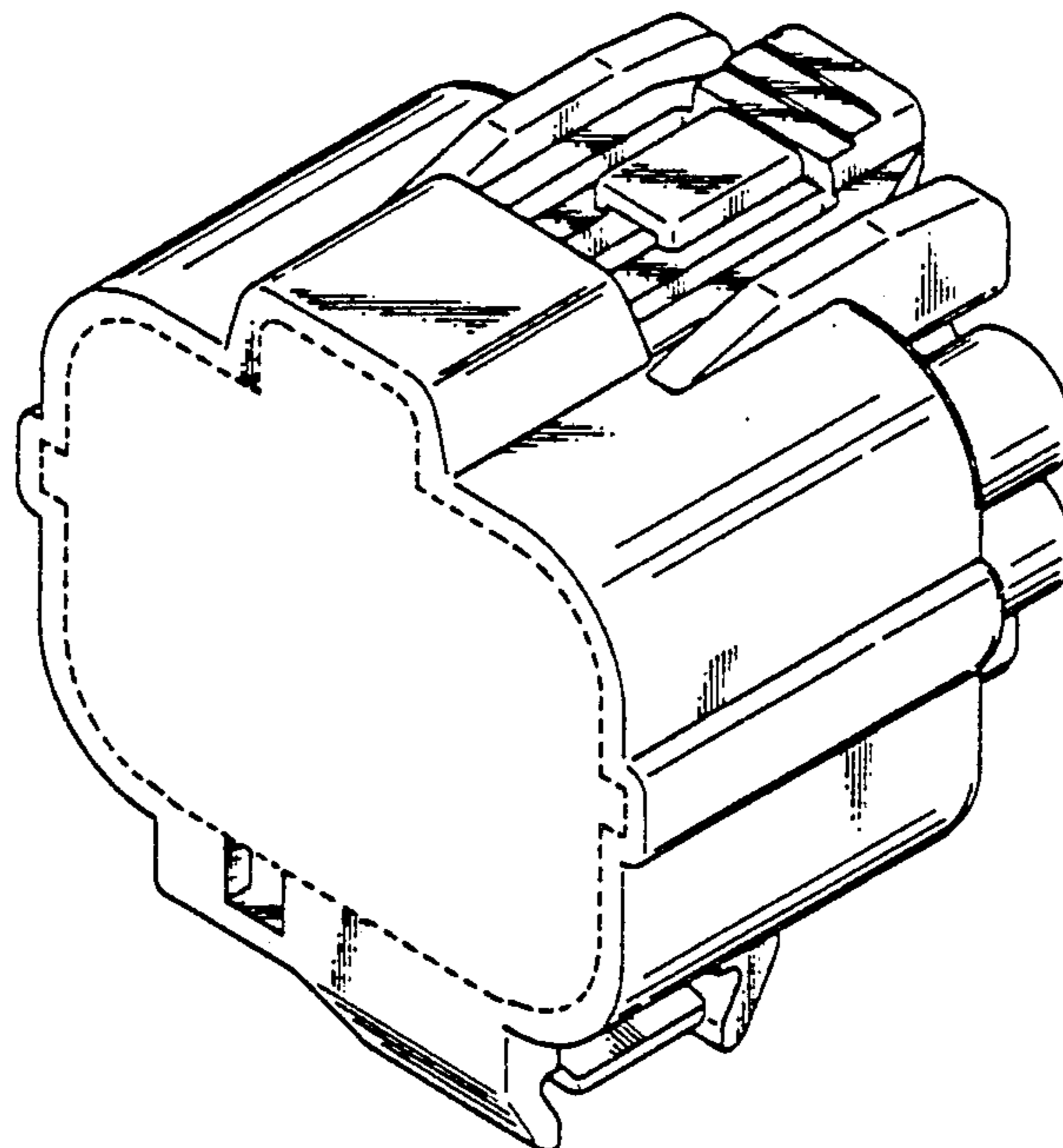


FIG. 2

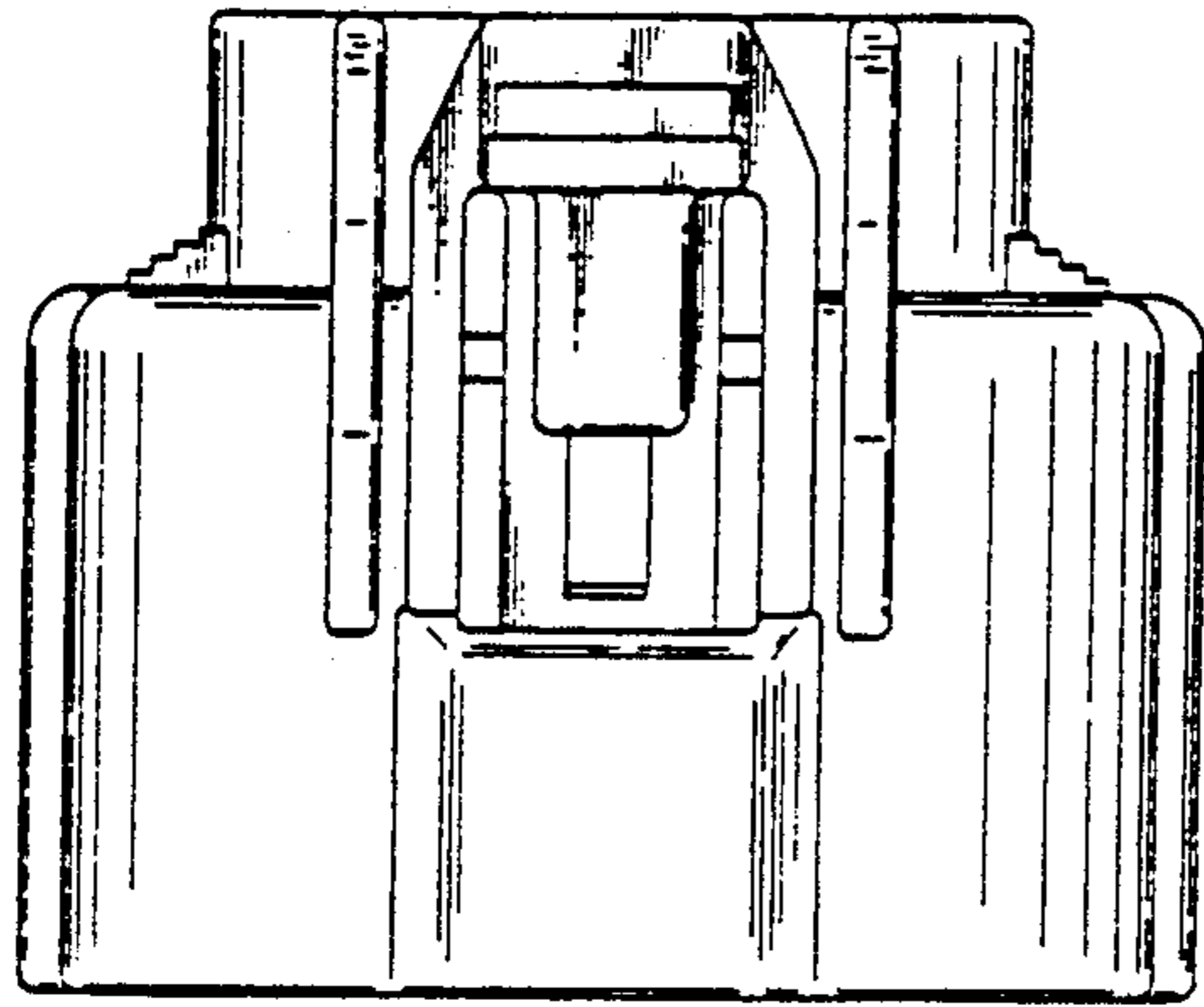


FIG. 1

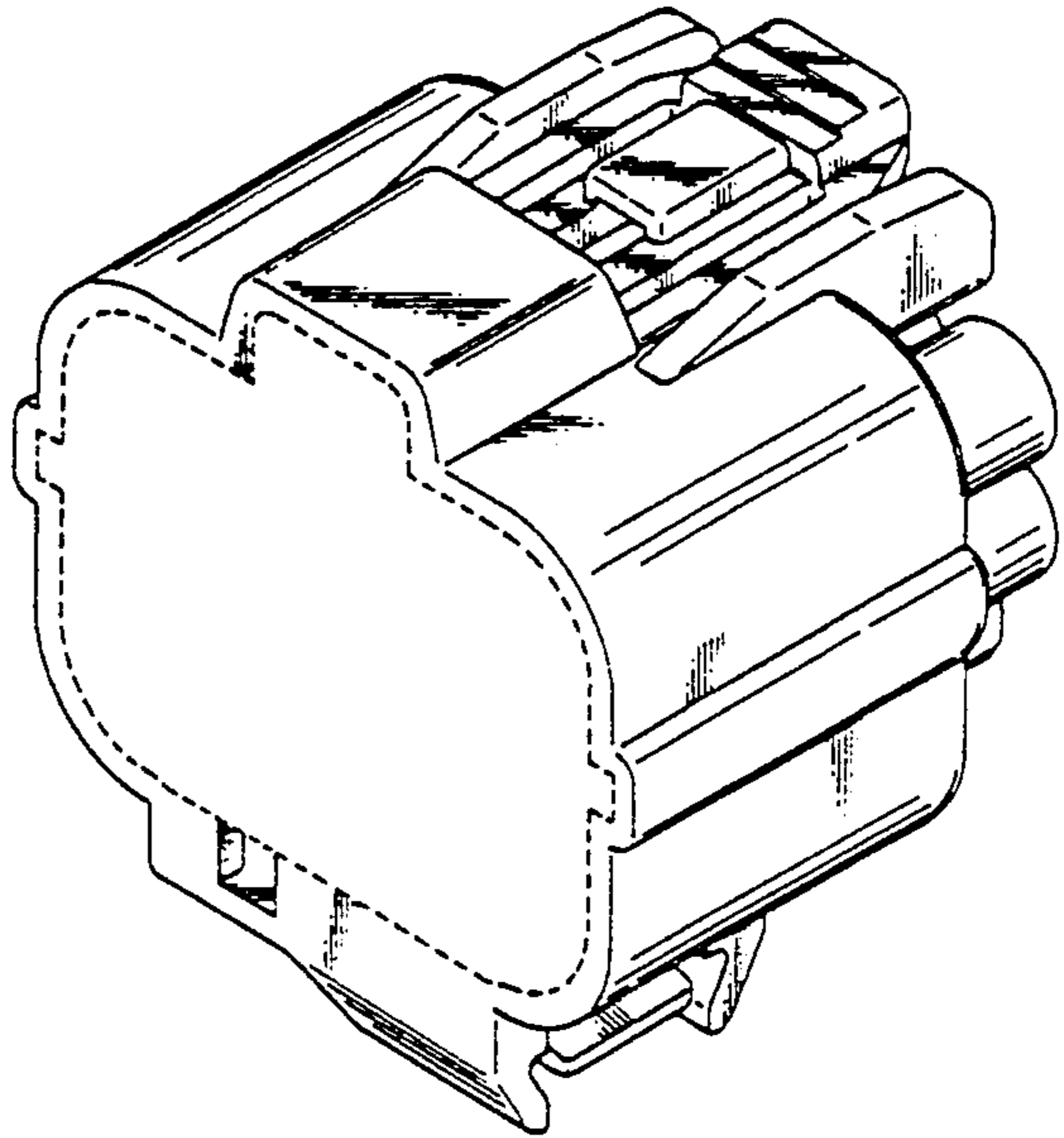


FIG. 3

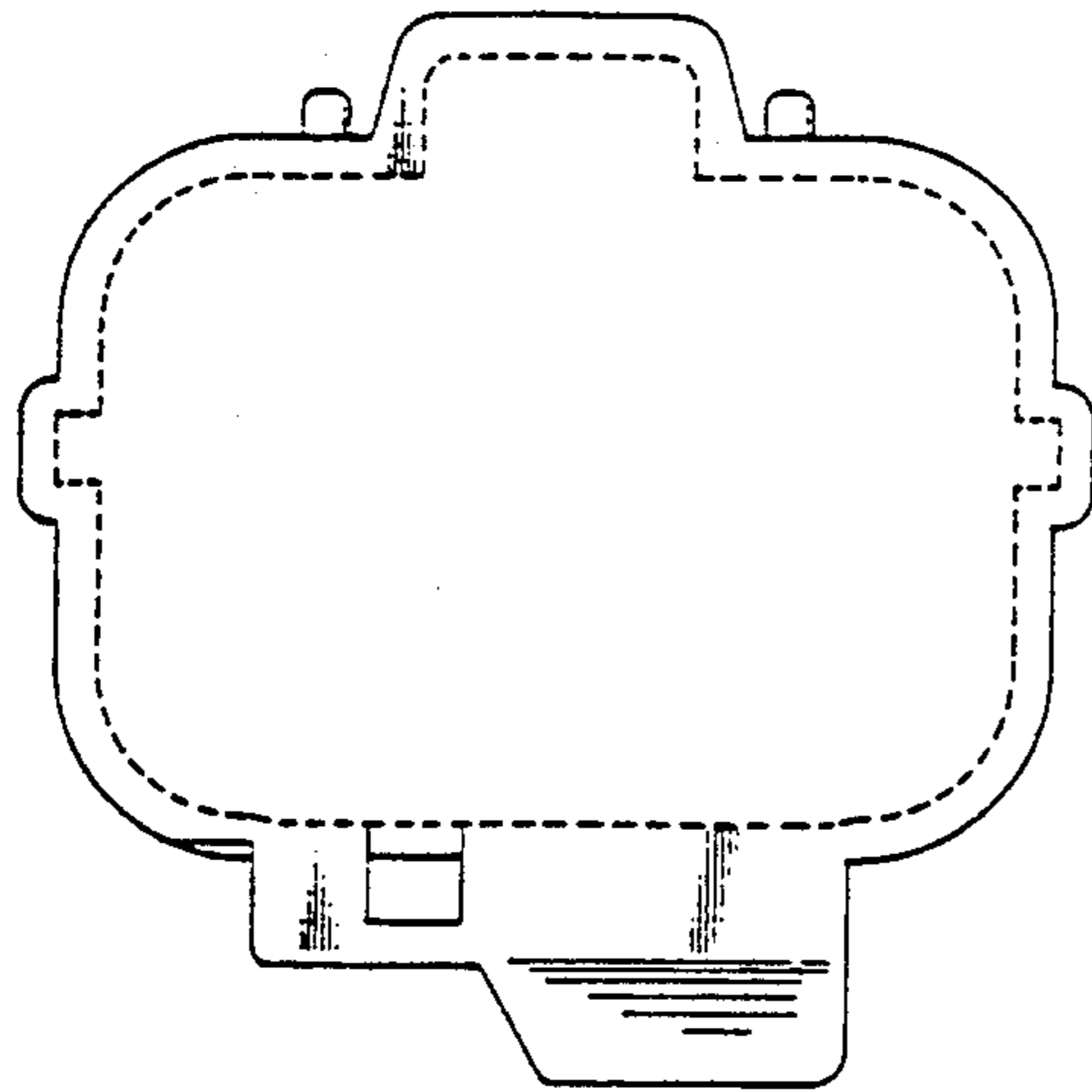


FIG. 4

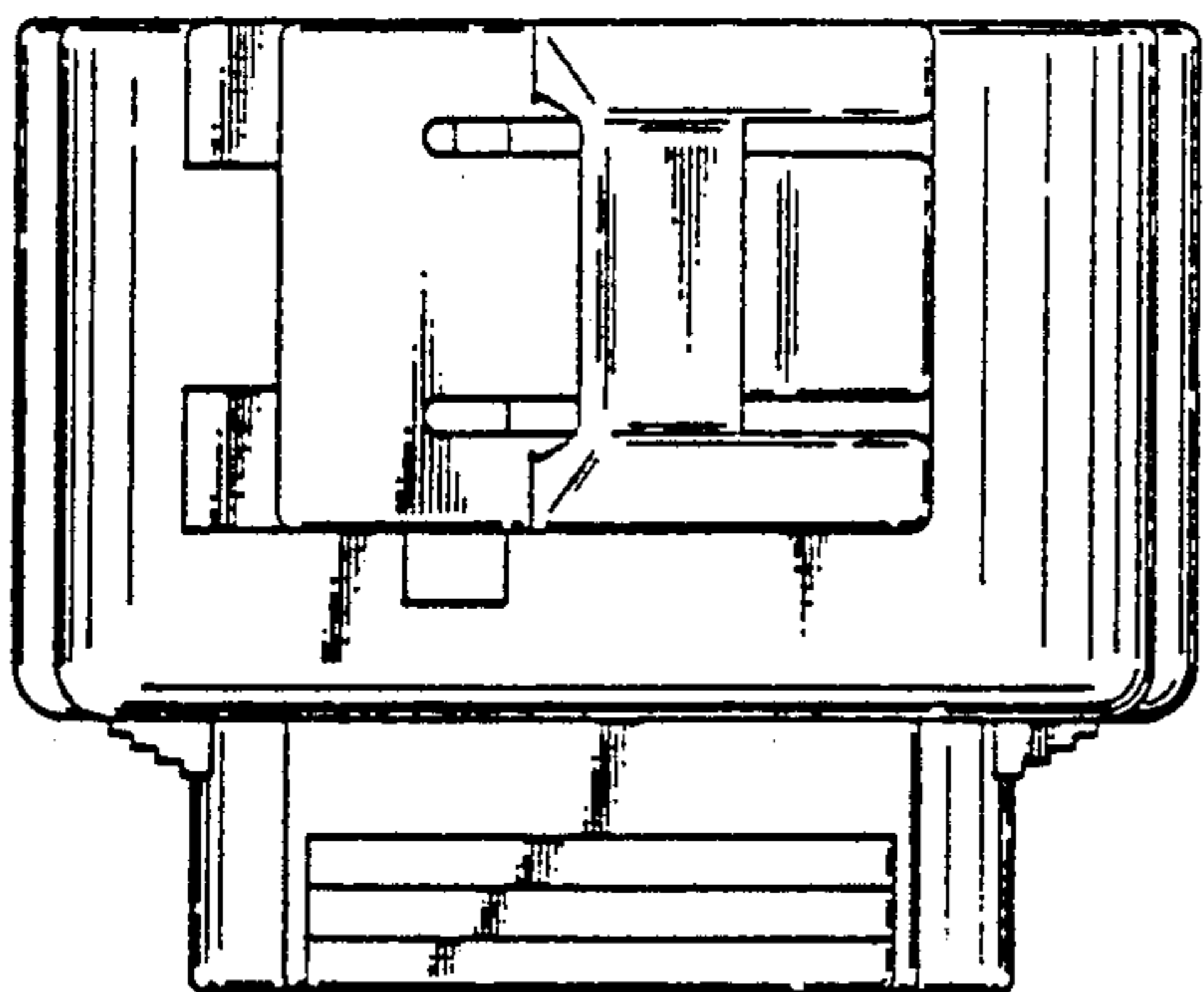


FIG. 5

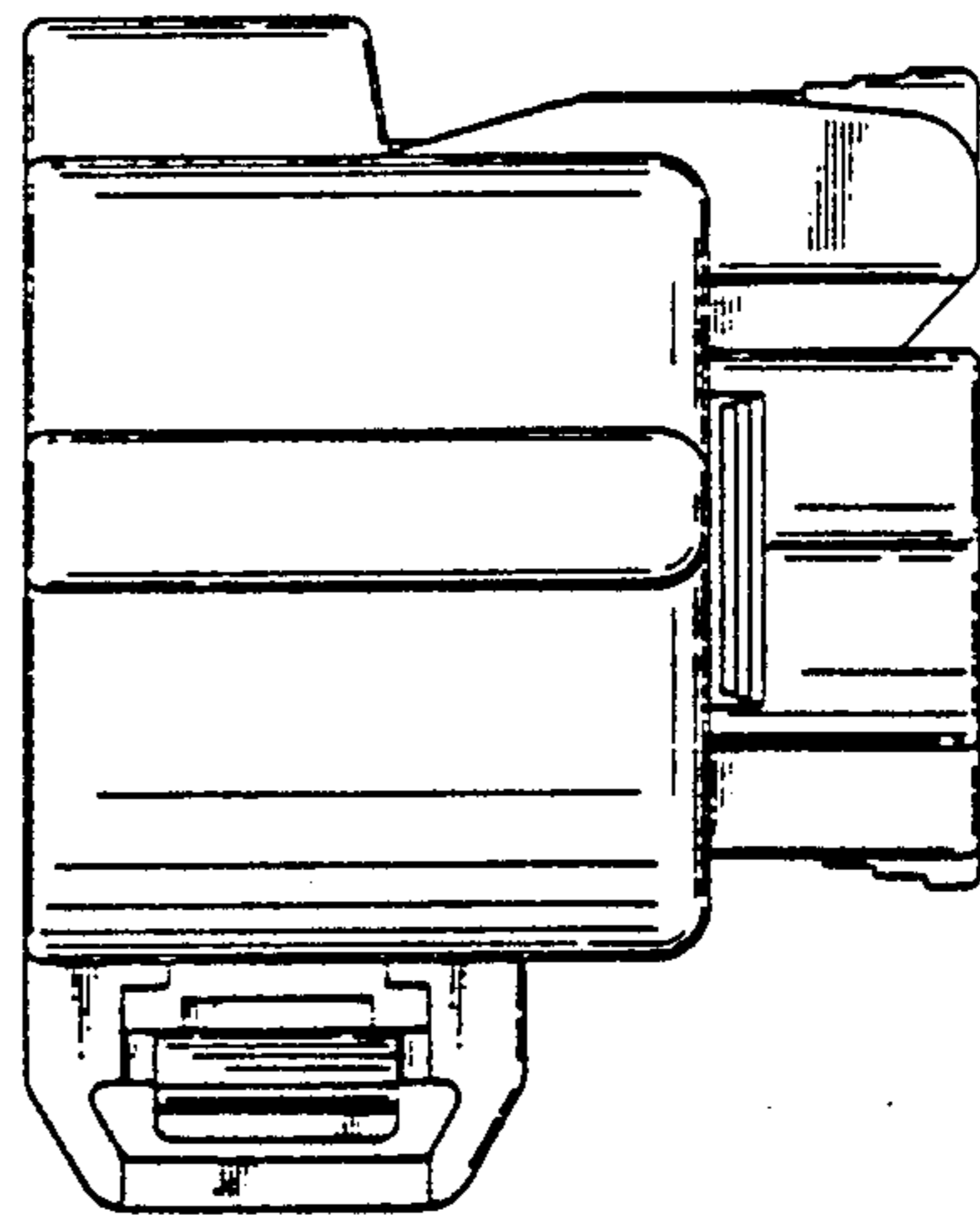


FIG. 6

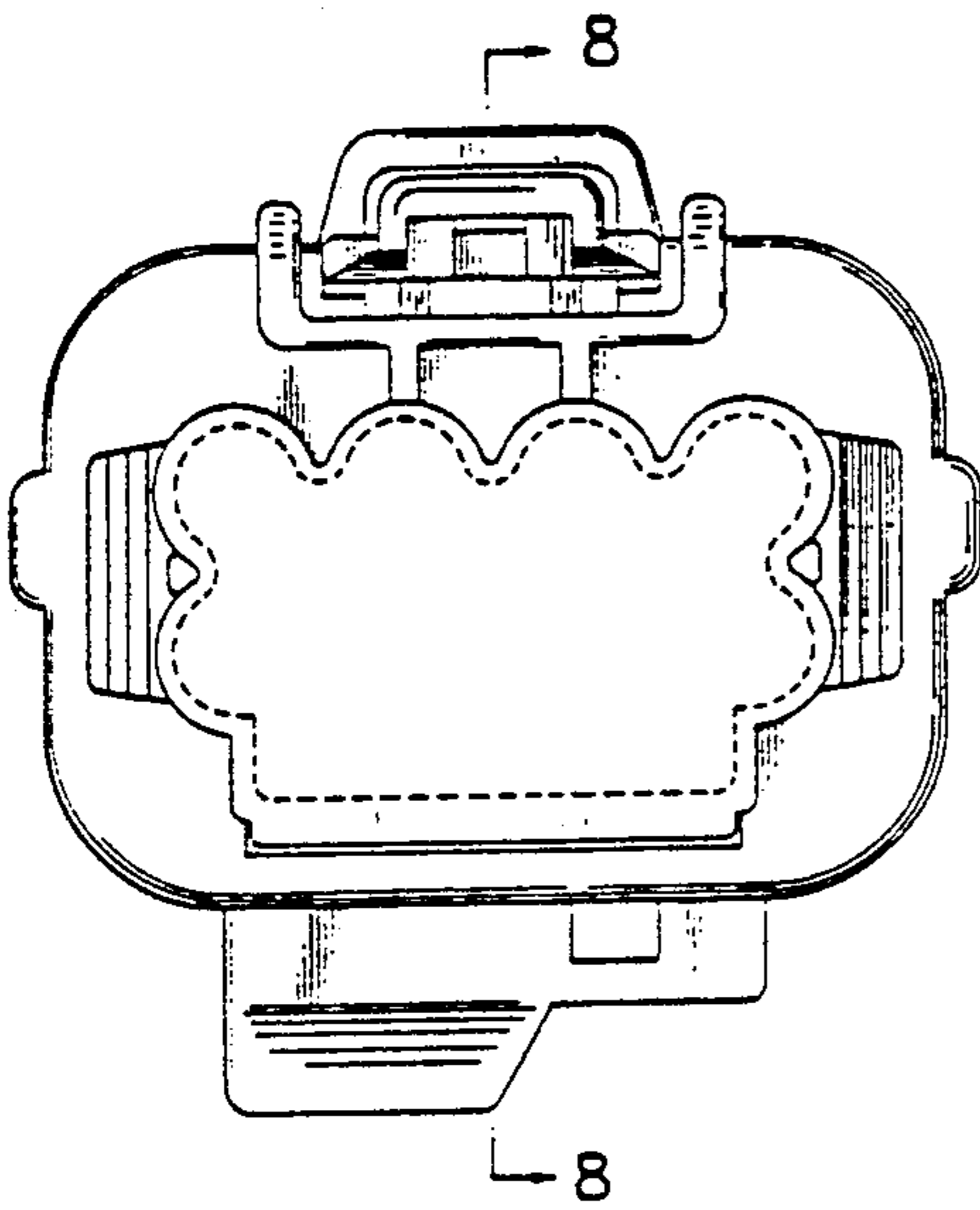


FIG. 7

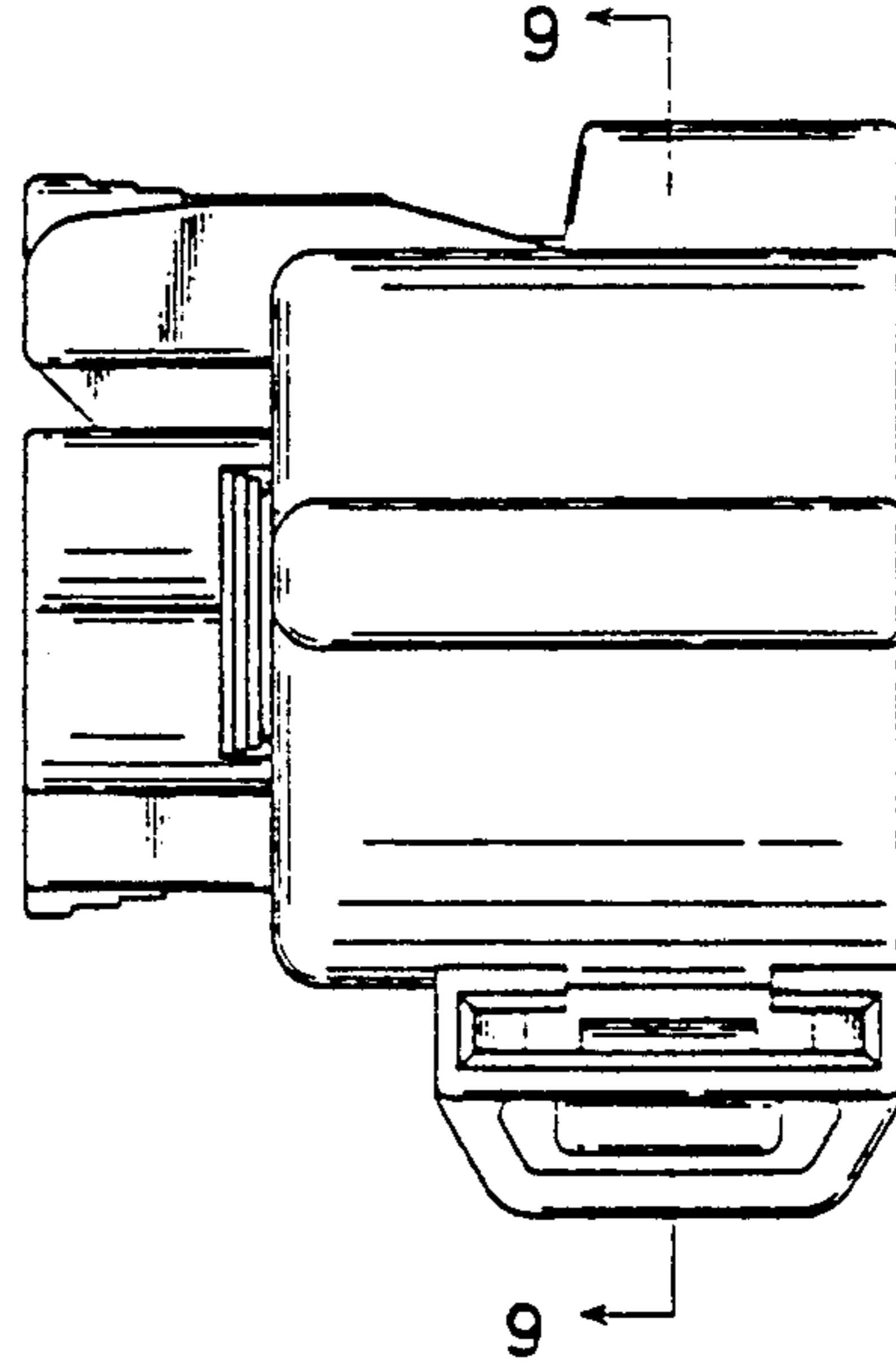


FIG. 8

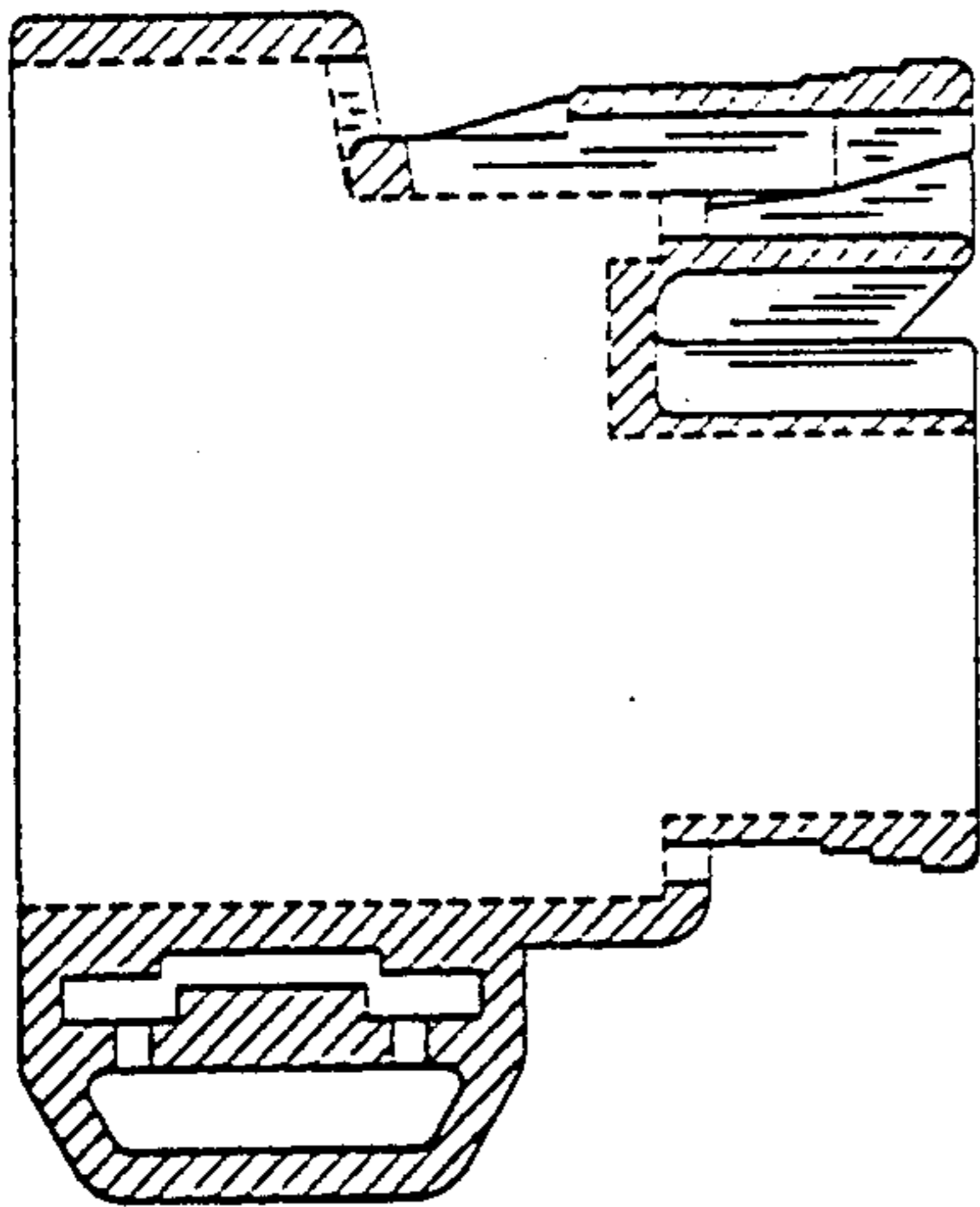


FIG. 9

