



US00D326642S

United States Patent [19]

[11] Patent Number: **Des. 326,642**

Lowe

[45] Date of Patent: **** Jun. 2, 1992**

- [54] **COMBINED ELECTRICAL PLUG AND SAFETY ADAPTER**
- [75] Inventor: **Thomas E. Lowe, Dundee, Ill.**
- [73] Assignee: **Safecare Products, Inc., Cassopolis, Mich.**
- [**] Term: **14 Years**
- [21] Appl. No.: **470,045**
- [22] Filed: **Jan. 24, 1990**
- [52] U.S. Cl. **D13/138; D13/156**
- [58] Field of Search **D13/137, 138, 139; 439/135, 136, 140, 141, 484, 650, 651, 655, 660, 692, 668, 692, 699**

- 660645 5/1938 Fed. Rep. of Germany .
- 802930 2/1951 Fed. Rep. of Germany .
- 412039 11/1966 Fed. Rep. of Germany .
- 930403 5/1964 France .
- 672031 10/1964 Italy .

Primary Examiner—Susan J. Lucas
Assistant Examiner—J. Sincavage
Attorney, Agent, or Firm—Leydig, Voit & Mayer

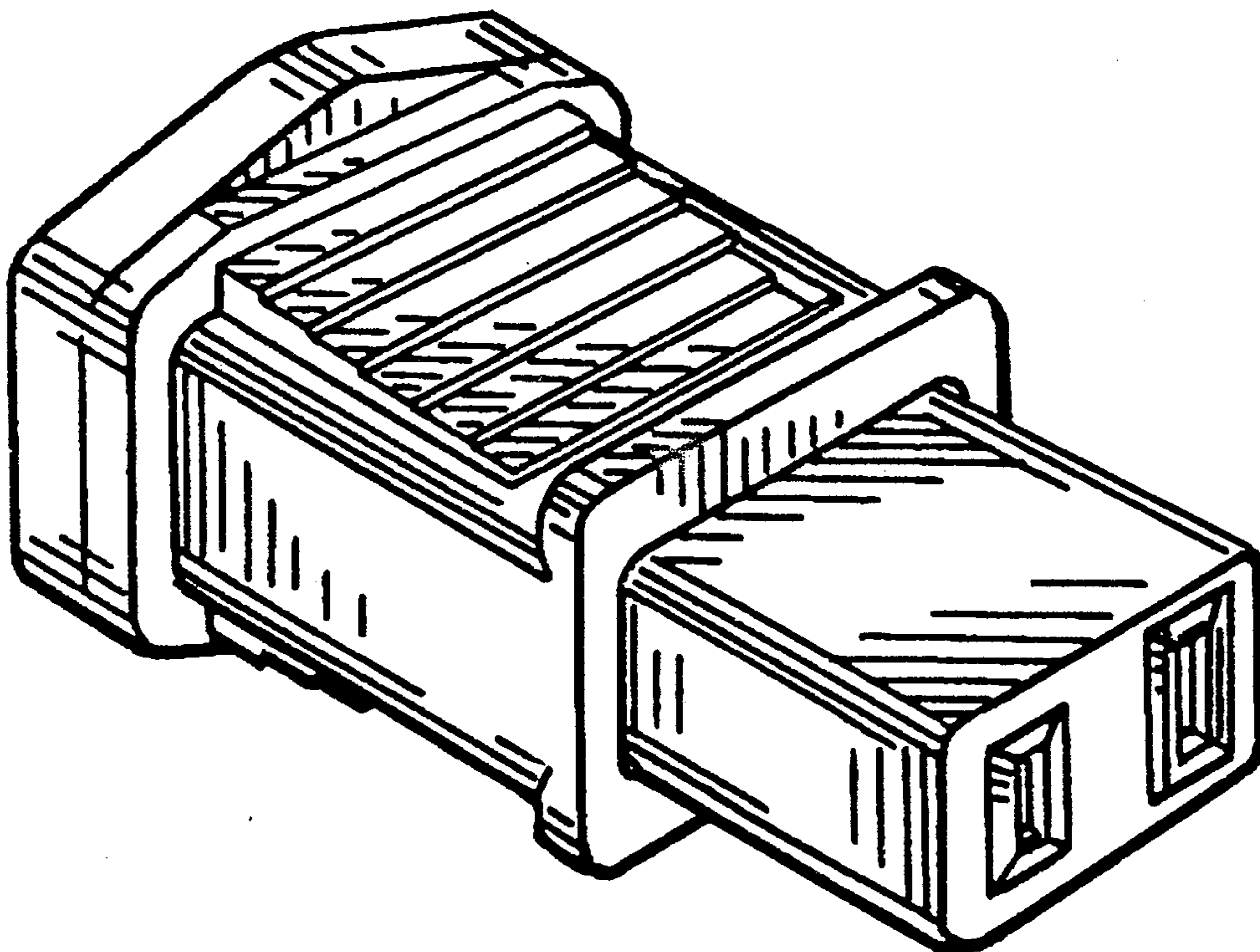
[57] CLAIM

The ornamental design of the combined electrical plug and safety adapter, as shown and described herein.

DESCRIPTION

FIG. 1 is a rear and upper right perspective view of a combined electrical plug and safety adapter showing my new design;
 FIG. 2 is a left side elevational view of a combined electrical plug and safety adapter showing my new design on an enlarged scale, the right side elevational view being a mirror image;
 FIG. 3 is a top plan view thereof, the bottom plan view thereof being a mirror image;
 FIG. 4 is a front end elevational view thereof;
 FIG. 5 is a rear end elevational view thereof; and,
 FIG. 6 is a rear and upper right perspective view of a combined electrical plug and safety adapter showing my new design with the protective cover in the retracted position and on the same scale as FIG. 1.

- [56] **References Cited**
- U.S. PATENT DOCUMENTS**
- D. 237,889 12/1975 Lawrence et al. D13/138
- D. 287,705 5/1985 Nagelkerke et al. D13/138
- D. 306,282 2/1990 Arehart et al. D13/138
- D. 312,240 11/1990 Esslinger D13/137
- 3,513,435 5/1970 Degaetano 439/140
- 3,631,320 12/1971 Eckert 439/135 X
- 4,340,267 7/1982 Nukaga 439/141
- 4,445,739 5/1984 Wooten 439/140
- FOREIGN PATENT DOCUMENTS**
- 0831655 1/1970 Canada 439/140



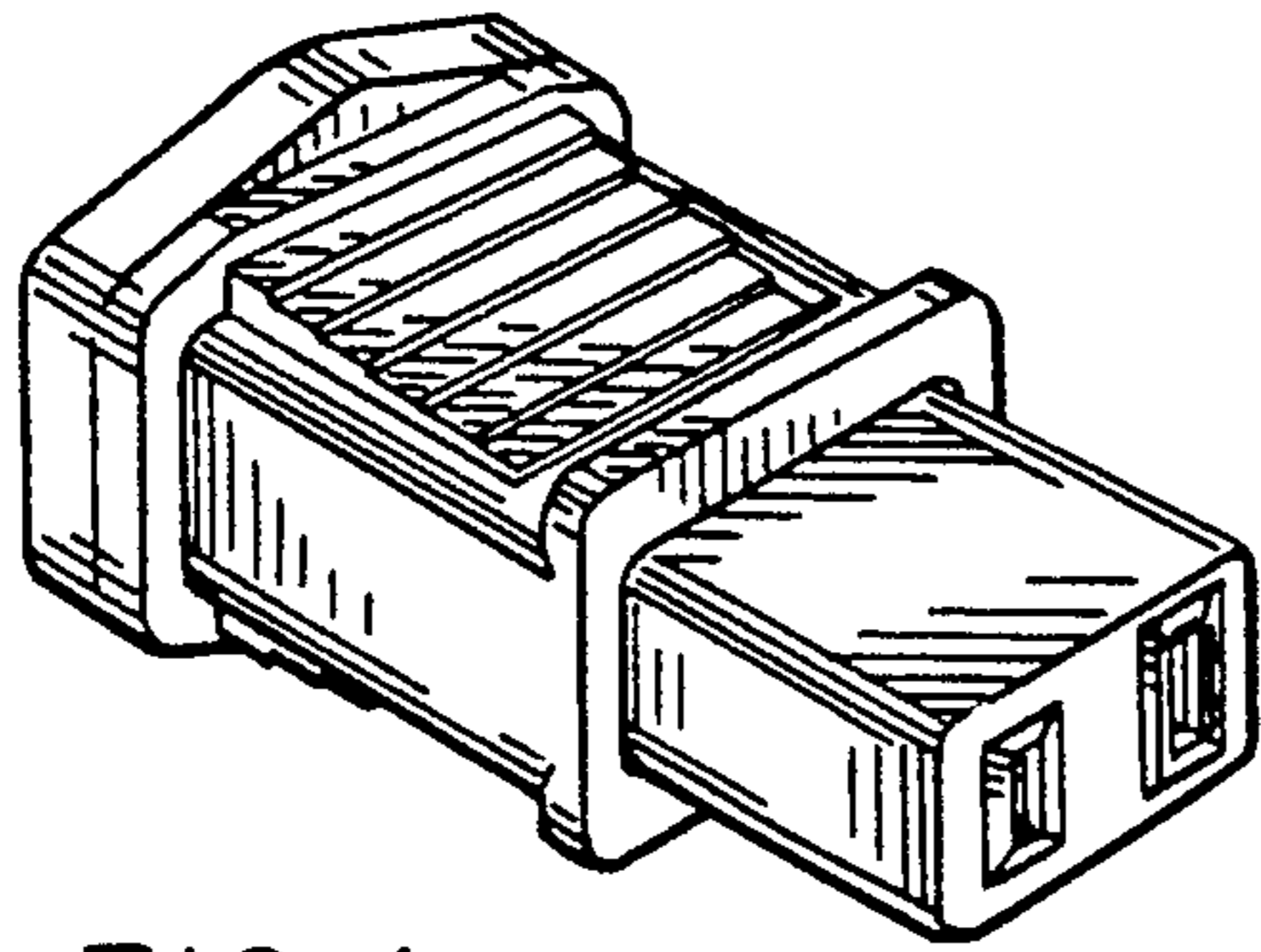


FIG. 1.

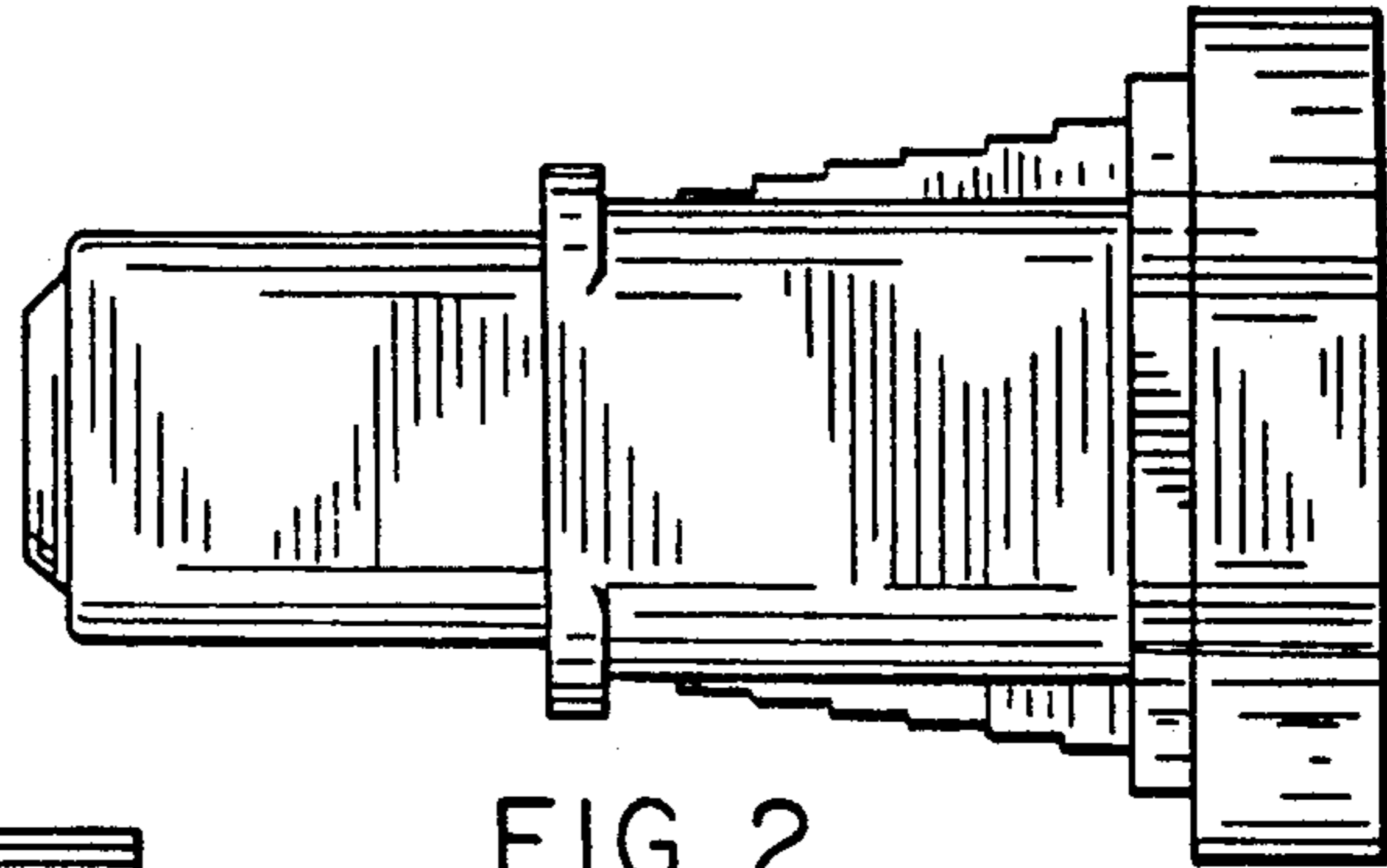


FIG. 2.

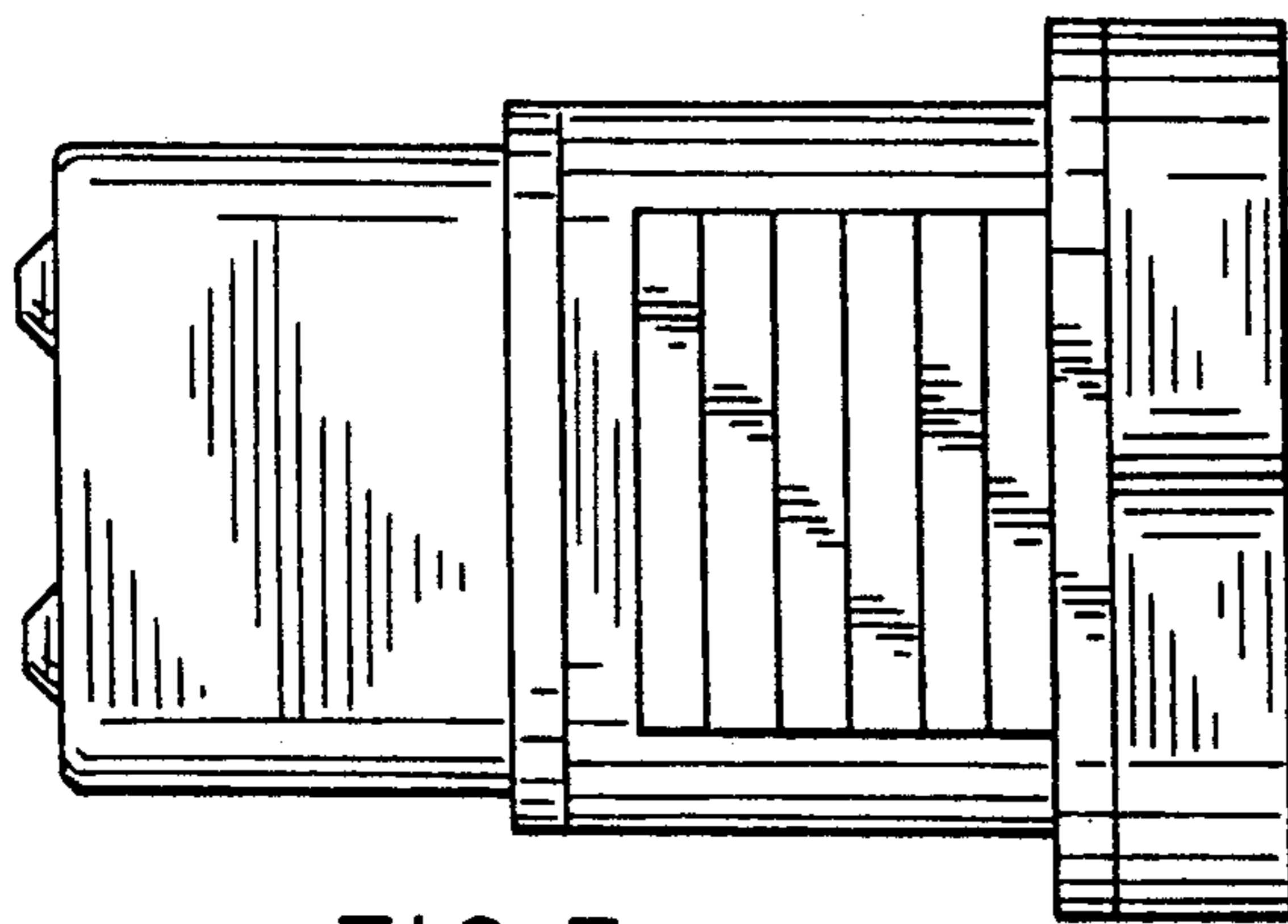


FIG. 3.

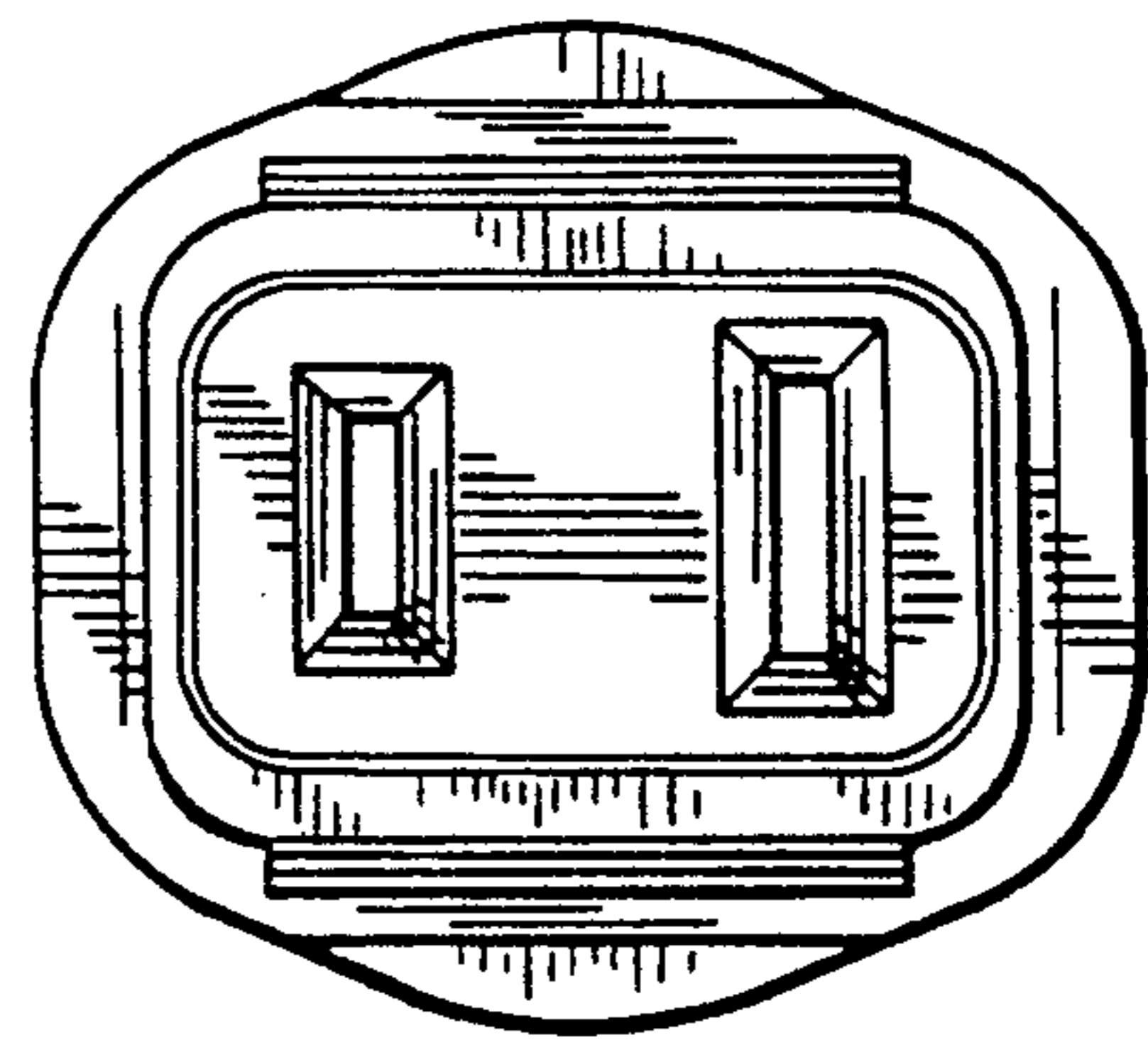


FIG. 4.

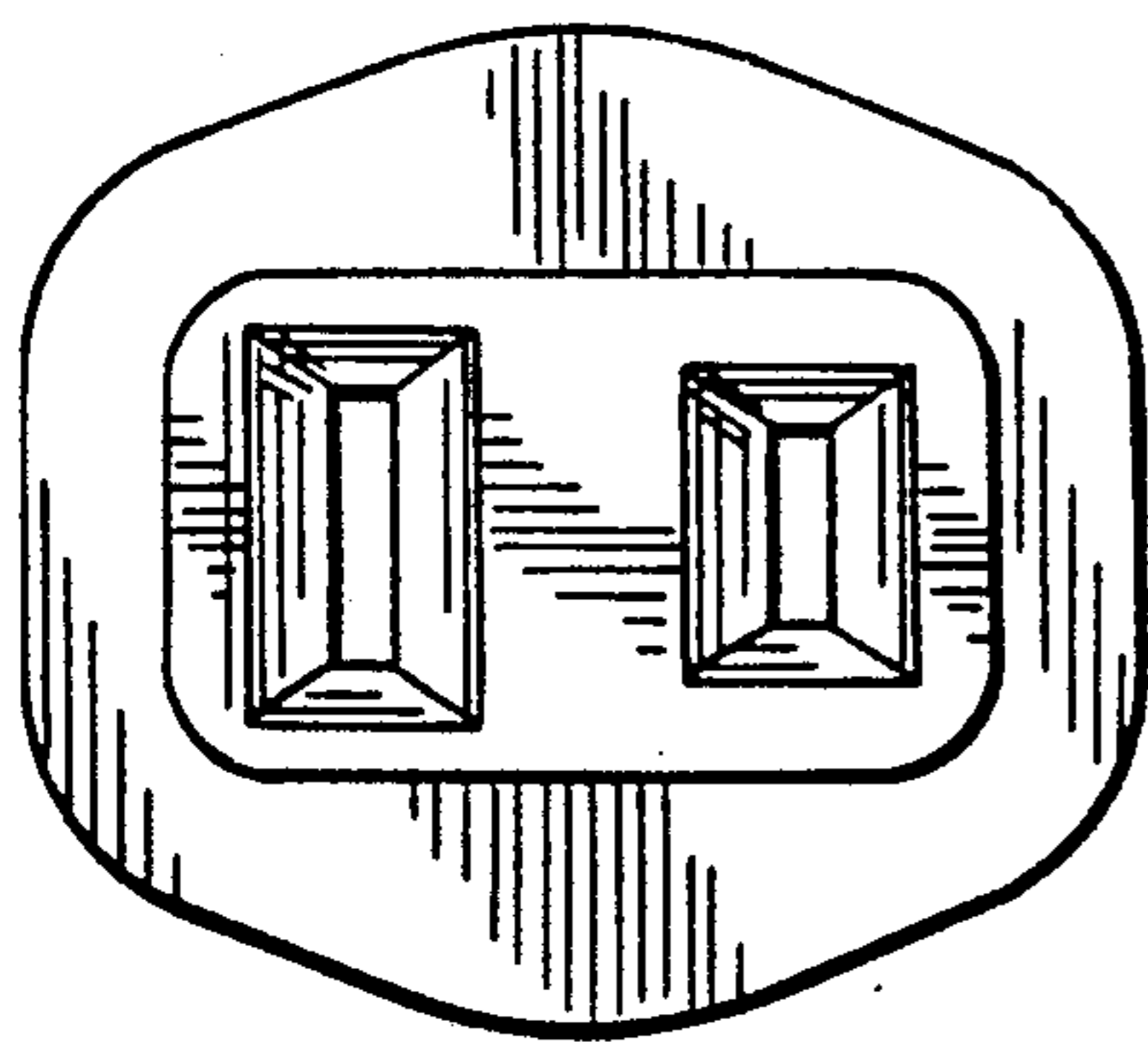


FIG. 5.

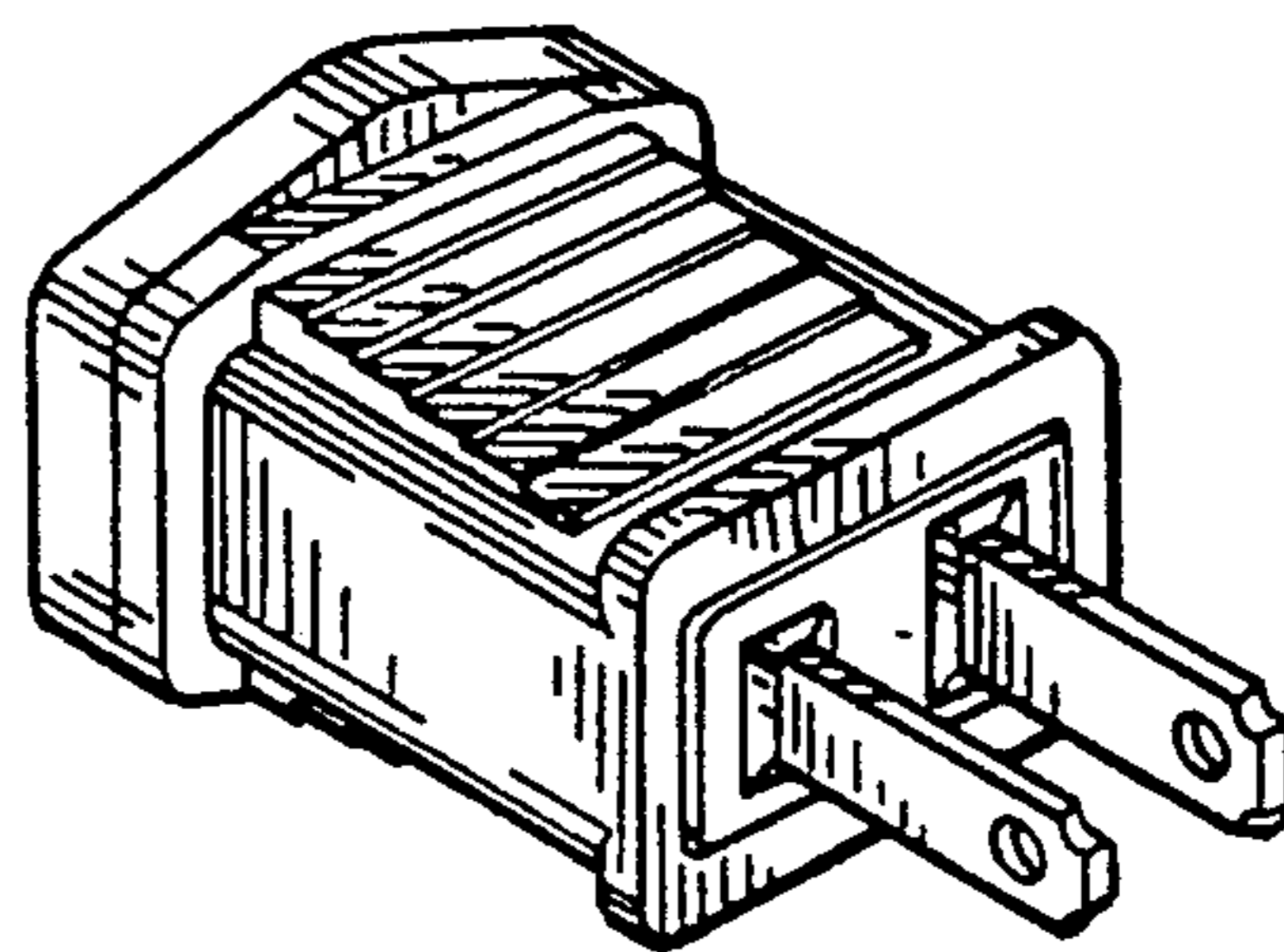


FIG. 6.