



US00D326635S

United States Patent [19] Tisten

[11] Patent Number: **Des. 326,635**
[45] Date of Patent: **** Jun. 2, 1992**

[54] **VEHICLE HOOD**
[75] Inventor: **George J. Tisten, Elkhart, Ind.**
[73] Assignee: **Holiday Rambler Corporation,
Wakarusa, Ind.**
[**] Term: **14 Years**
[21] Appl. No.: **580,512**
[22] Filed: **Sep. 11, 1990**
[52] U.S. Cl. **D12/173**
[58] Field of Search **D12/173, 99, 100, 196;
296/183, 194; 180/69.2**

D. 233,884 12/1974 Stewart D12/99
D. 315,327 3/1991 Tisten D12/173
D. 319,811 9/1991 Tisten D12/173

OTHER PUBLICATIONS

Commercial Carrier Journal, 8/89, p. 111, Hood of Van, bottom of page.

Primary Examiner—James M. Gandy
Attorney, Agent, or Firm—Leydig, Voit & Mayer

[57] CLAIM

The ornamental design for a vehicle hood, as shown and described.

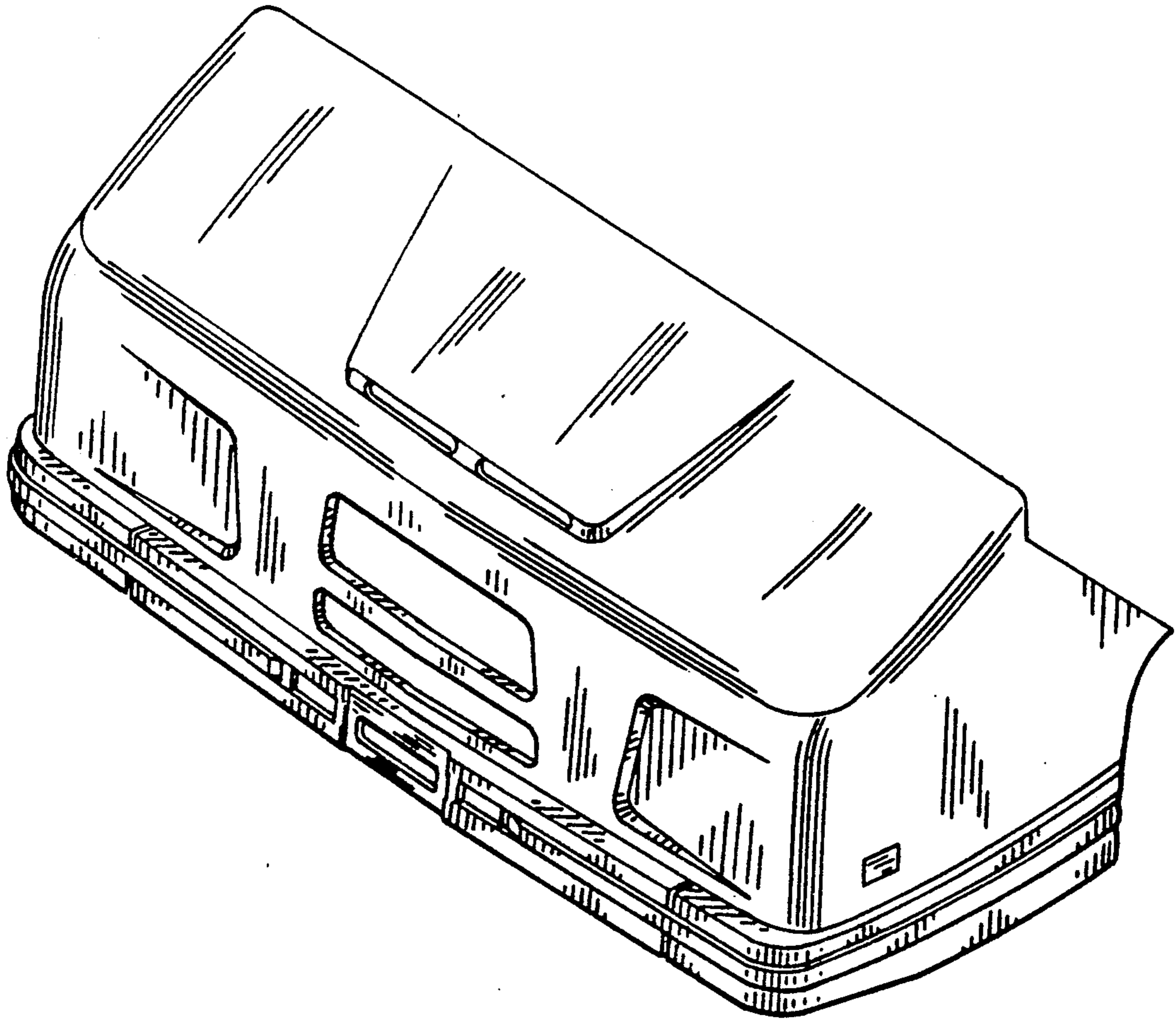
DESCRIPTION

FIG. 1 is a perspective view of a vehicle hood showing my new design it being understood that the broken lines are for illustrative purposes only and form no part of the claimed design;
FIG. 2 is an enlarged perspective view thereof;
FIG. 3 is an enlarged front elevation view thereof;
FIG. 4 is an enlarged top plan view thereof; and,
FIG. 5 is an enlarged side elevation view thereof the opposite side being a mirror image of that shown.

[56] References Cited

U.S. PATENT DOCUMENTS

D. 193,975 11/1962 Highberger D12/99
D. 194,589 2/1963 Rogers D12/99
D. 206,376 12/1966 Ornas D12/99
D. 215,593 10/1969 Birchard D12/99
D. 215,594 10/1969 Birchard D12/99
D. 218,297 8/1970 Birchard D12/164
D. 218,413 8/1970 Birchard D12/164
D. 218,414 8/1970 Birchard D12/196



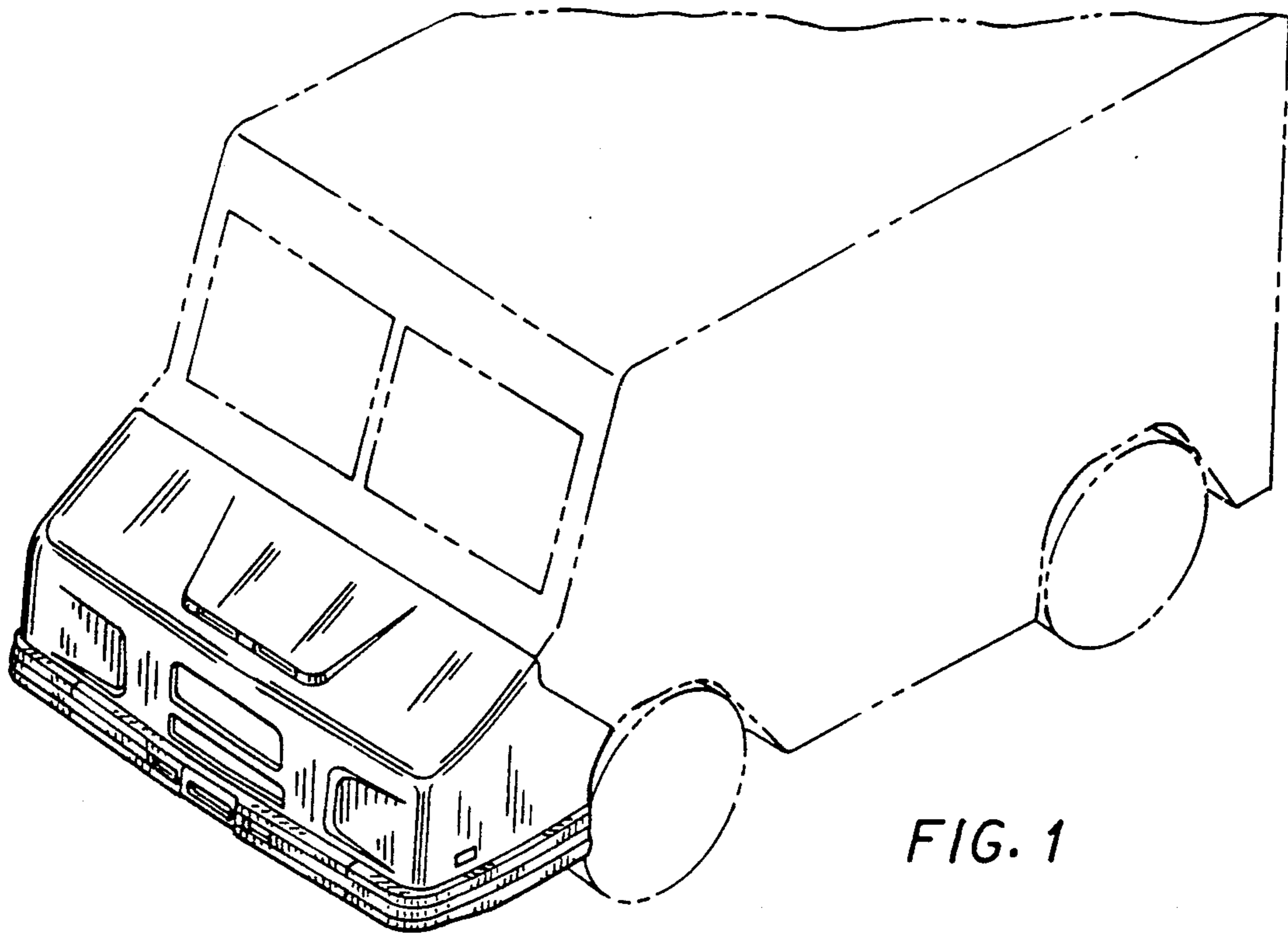


FIG. 1

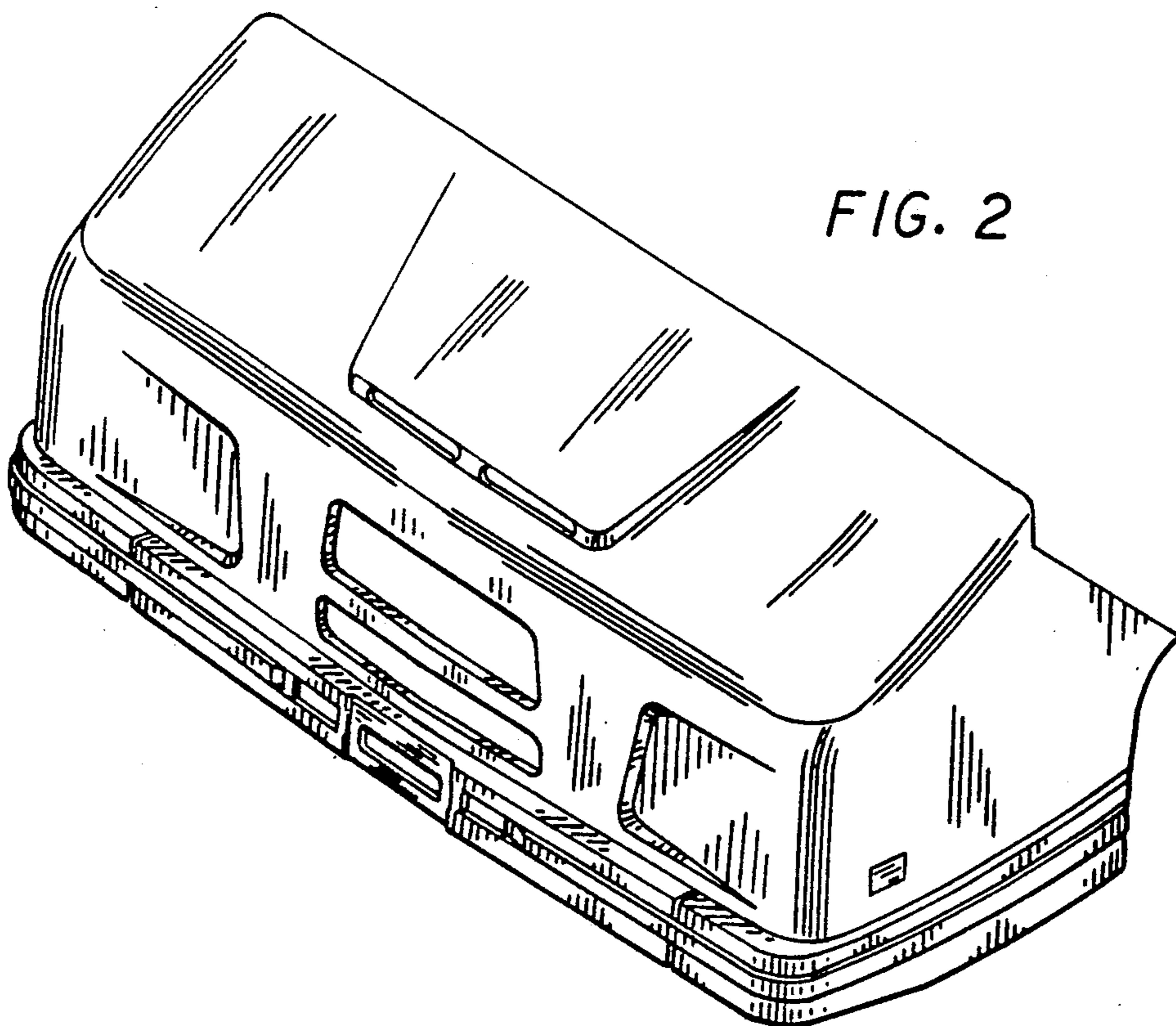


FIG. 2

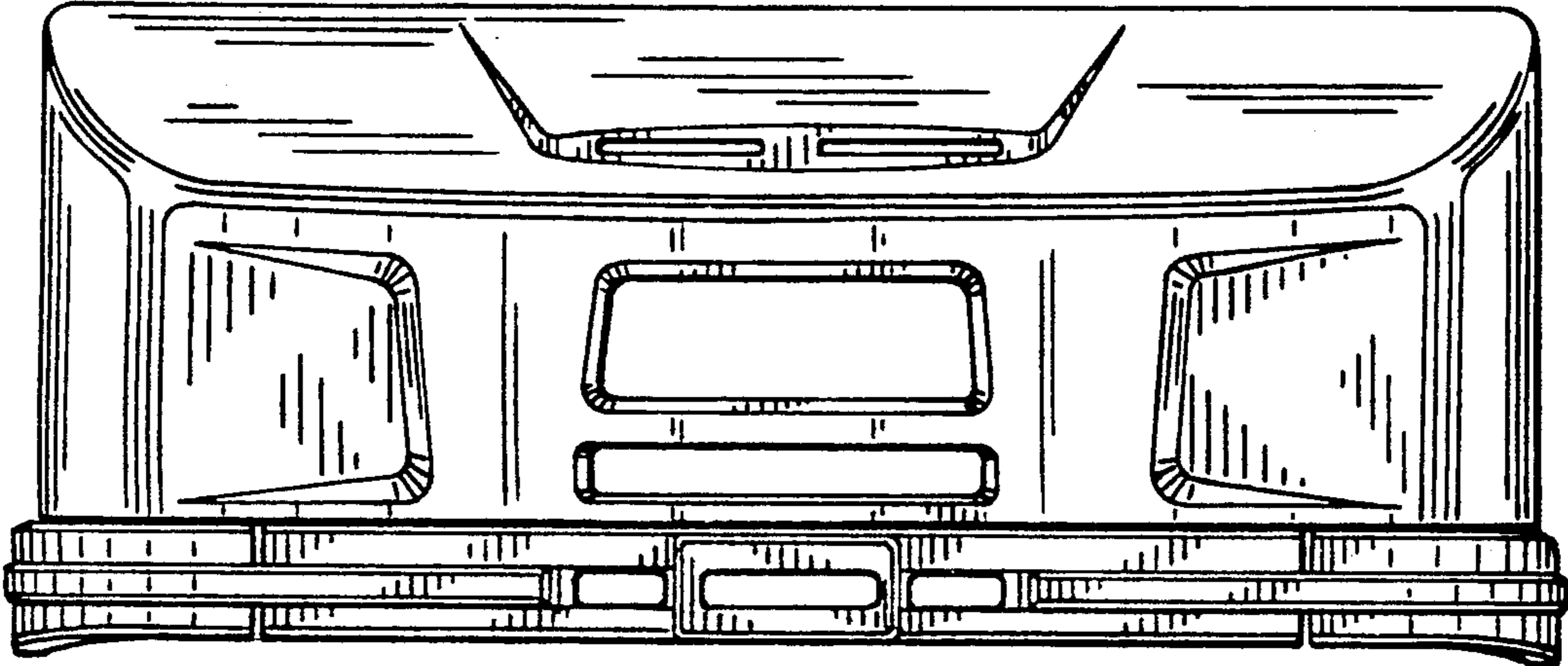


FIG. 3

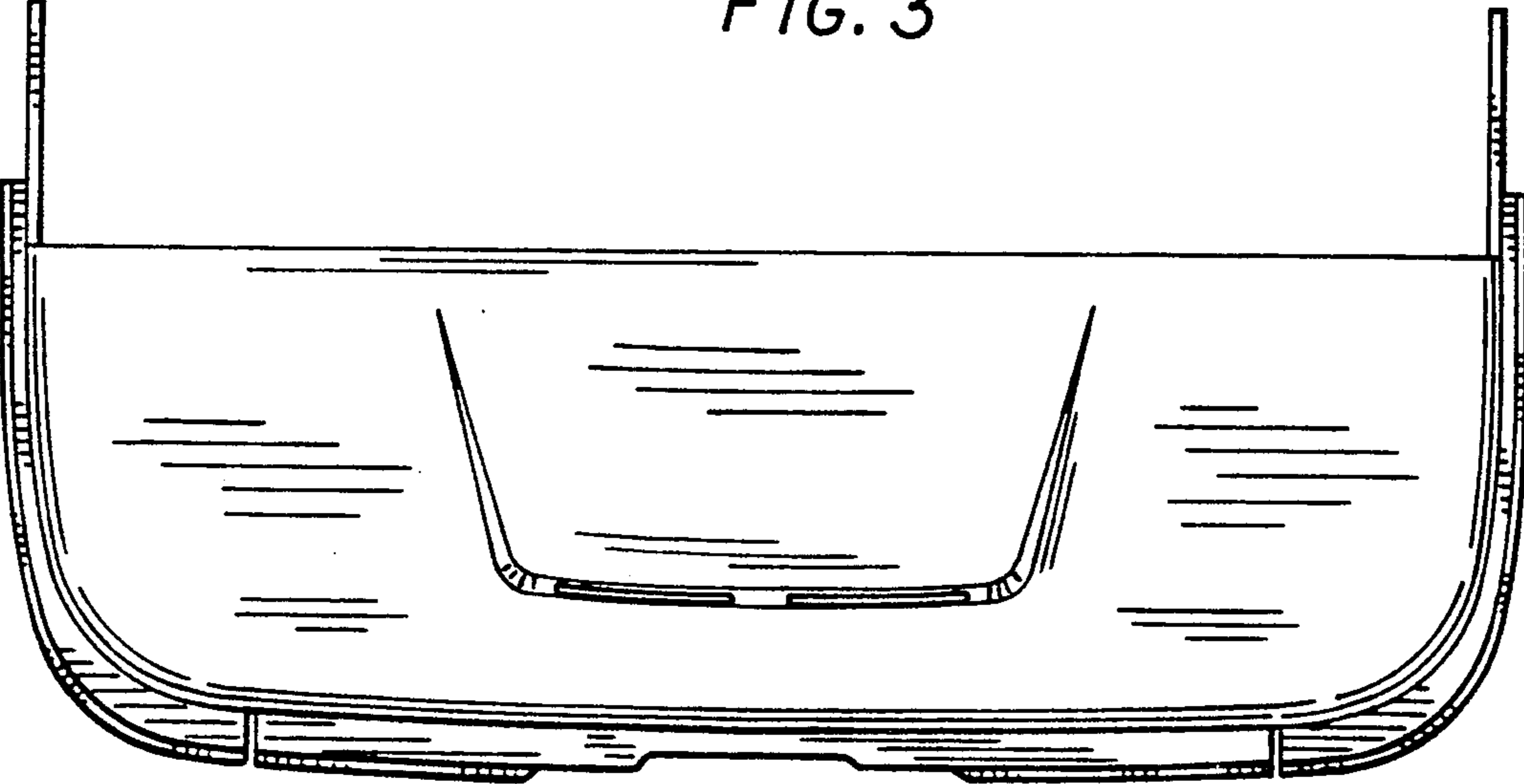


FIG. 4

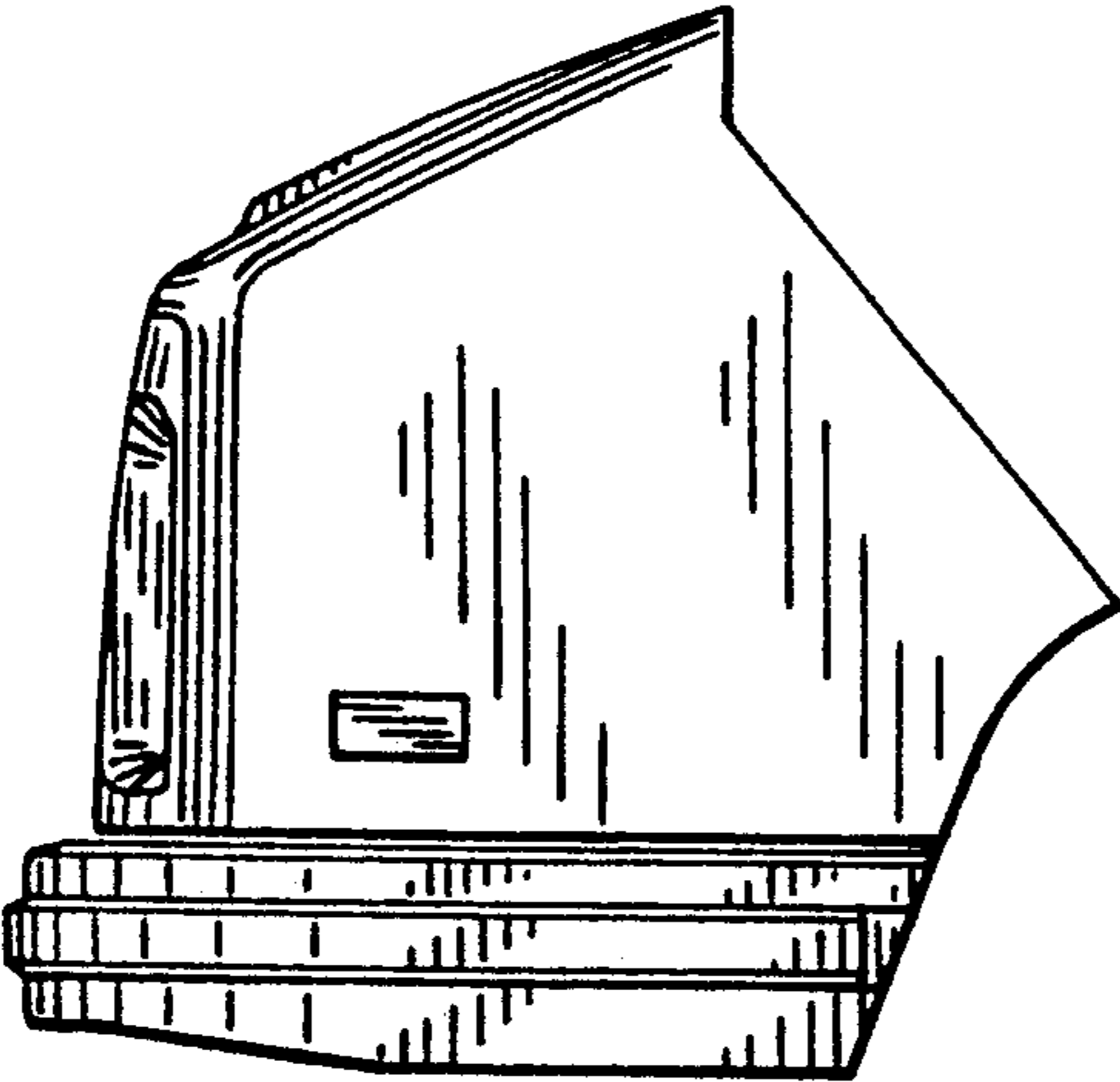


FIG. 5