



US00D326630S

United States Patent [19]

[11] Patent Number: **Des. 326,630**

Tan

[45] Date of Patent: **** Jun. 2, 1992**

[54] BICYCLE

| | | | |
|-----------|---------|---------------------|-----------|
| 4,789,174 | 12/1988 | Lawwill | 280/284 |
| 4,901,209 | 2/1990 | Nitz | 280/281.1 |
| 4,923,203 | 5/1990 | Trimble et al. | 280/281.1 |

[76] Inventor: **Hing Y. Tan**, 2121 S. Susan St., #E, Santa Ana, Calif. 92704

[**] Term: **14 Years**

Primary Examiner—James M. Gandy
Assistant Examiner—Melody Brown
Attorney, Agent, or Firm—Edward E. Roberts

[21] Appl. No.: **495,311**

[22] Filed: **Mar. 19, 1990**

[52] U.S. Cl. **D12/111**

[58] Field of Search D12/111, 110;
280/281.1, 288.1, 288.2, 288.3, 284

[57] **CLAIM**

The ornamental design for a bicycle, as shown.

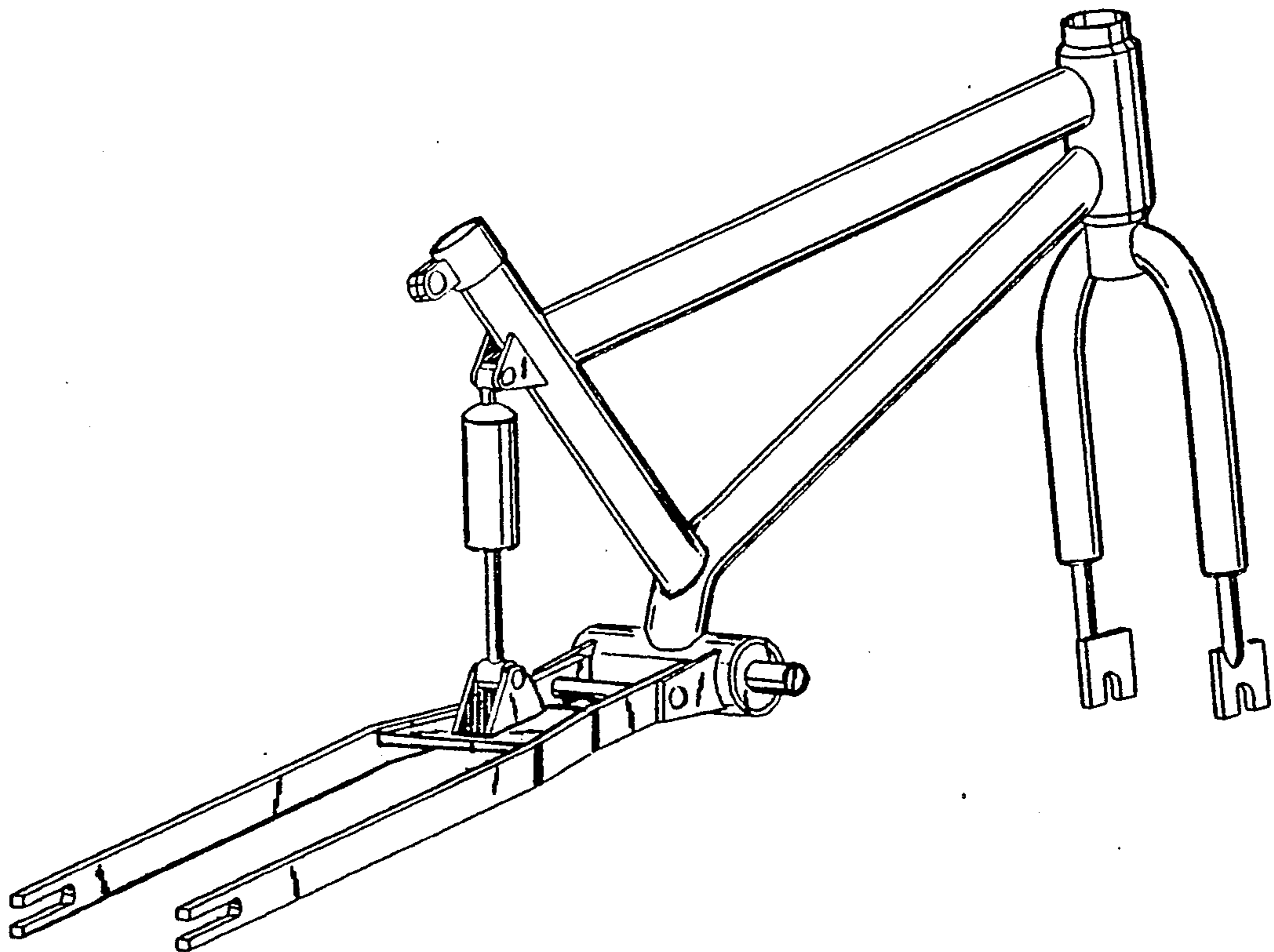
[56] **References Cited**

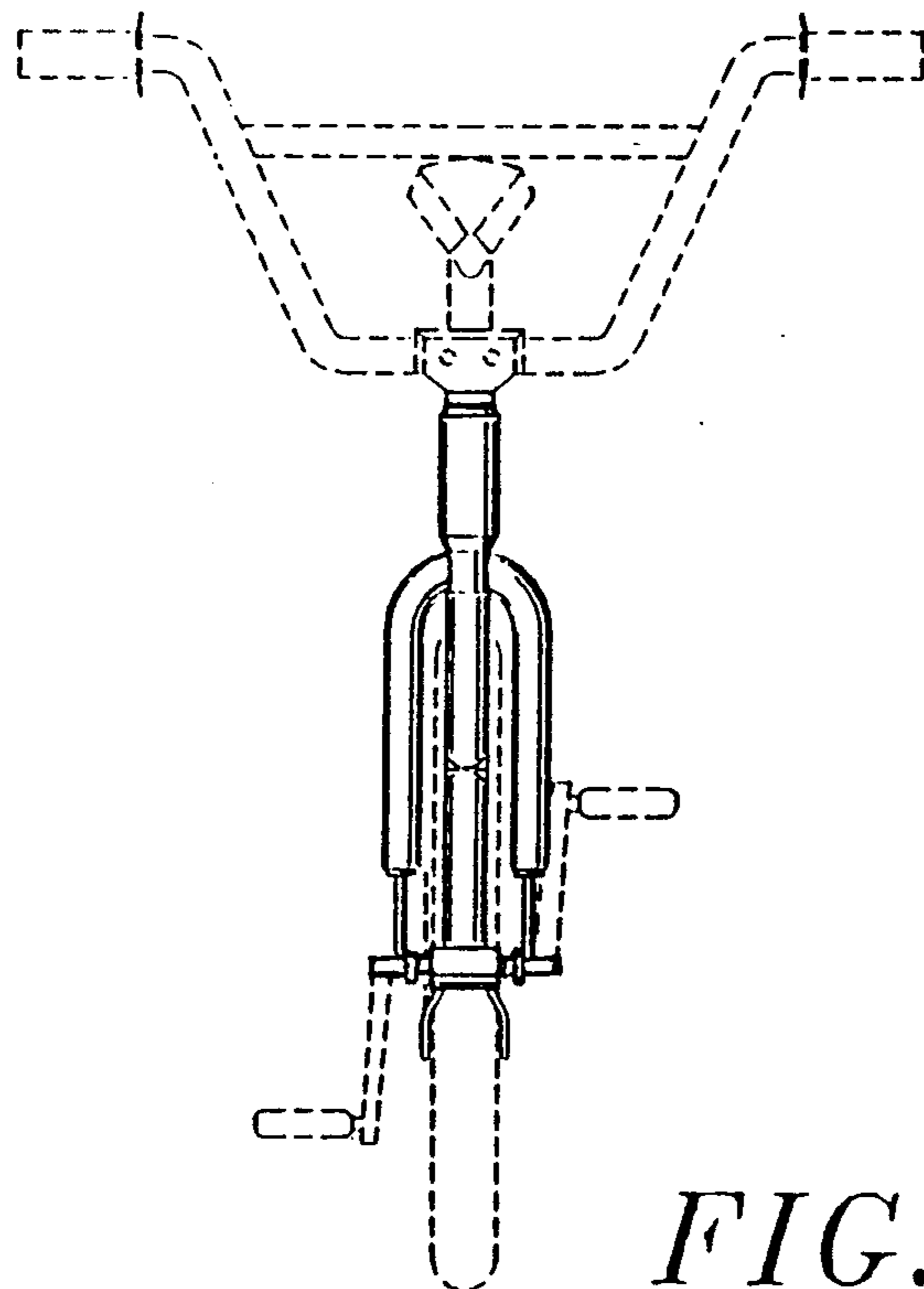
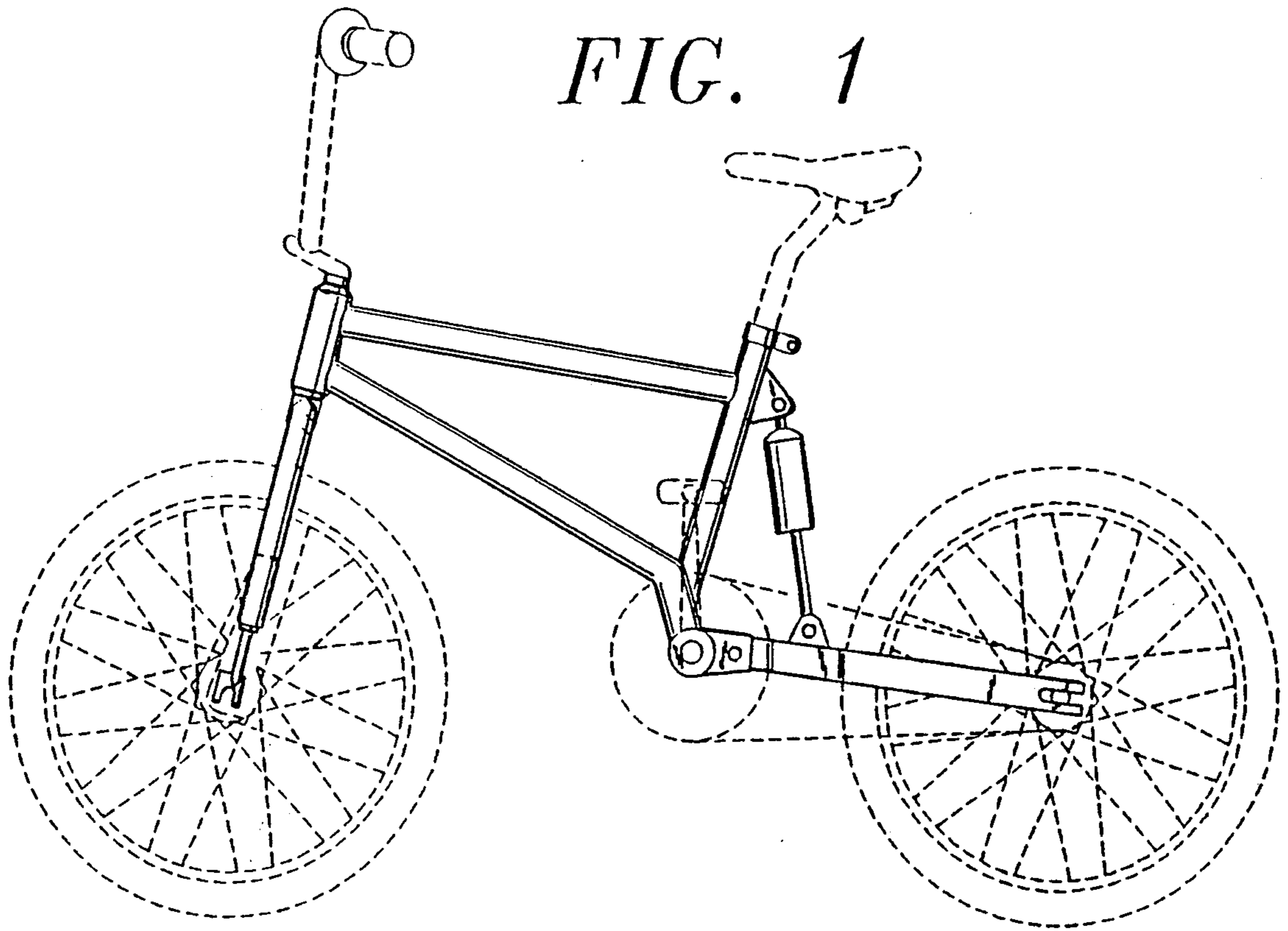
U.S. PATENT DOCUMENTS

| | | | |
|------------|---------|---------------|-----------|
| D. 166,386 | 4/1952 | Gilardi | D12/110 |
| 3,419,283 | 12/1968 | Newland | 280/281.1 |
| 4,540,190 | 9/1985 | Moulton | 280/281.1 |
| 4,733,881 | 3/1988 | Mueller | 280/281.1 |

DESCRIPTION

FIG. 1 is a side elevational view of a bicycle showing my new design the broken lines are for illustrative purposes only and form no part of the claimed design; FIG. 2 is a front elevational view thereof; FIG. 3 is an enlarged left side and rear perspective view thereof; and, FIG. 4 is an enlarged bottom plan view thereof.





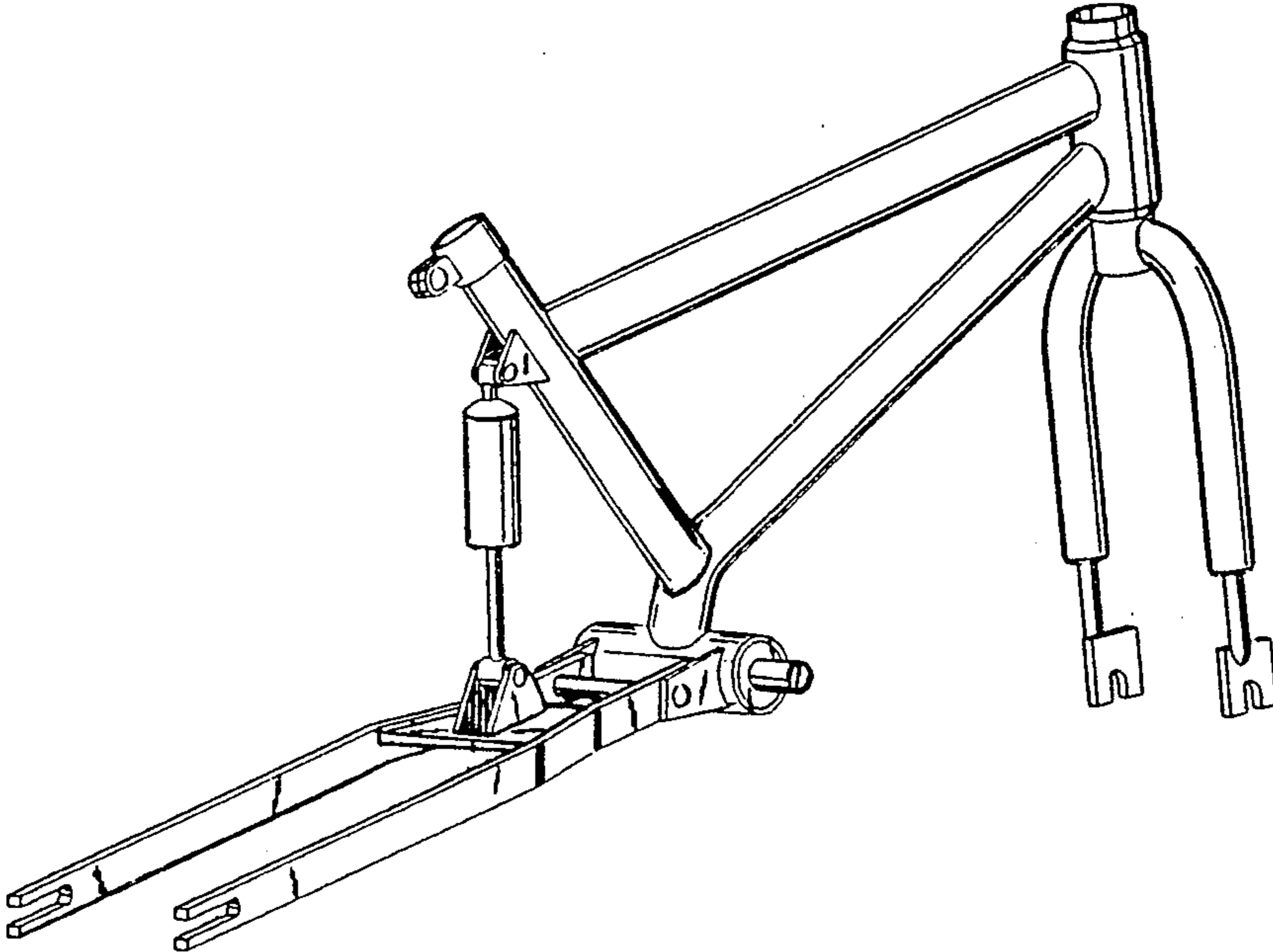


FIG. 3

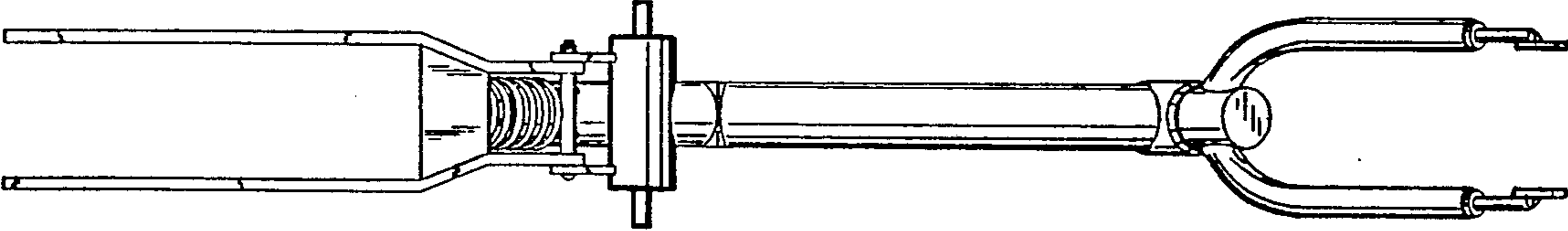


FIG. 4