



US00D326622S

# United States Patent [19]

[11] Patent Number: **Des. 326,622**

Prout

[45] Date of Patent: **\*\* Jun. 2, 1992**

[54] **TOP SHELL FOR EXPANSION BRACELET LINK**

2,790,302 4/1957 Minematsu ..... 63/5.1

[75] Inventor: **Julia R. Prout, Coventry, R.I.**

[73] Assignee: **Textron Inc., Providence, R.I.**

[\*\*] Term: **14 Years**

[21] Appl. No.: **514,045**

[22] Filed: **Apr. 24, 1990**

[52] U.S. Cl. .... **D11/93; D11/4; D11/19**

[58] Field of Search ..... **D11/1-13, D11/19-25, 93, 94, 15-18; 59/80-88, 90; 63/1.1-6; 224/171, 175, 178; D10/30-32**

[56] **References Cited**

### U.S. PATENT DOCUMENTS

D. 188,340	7/1960	Goodman	.....	D11/21
D. 190,670	6/1961	Goodman	.....	D11/93
D. 227,796	7/1973	Fontaine	.....	D11/93
D. 228,012	7/1973	Fontaine	.....	D11/93

### OTHER PUBLICATIONS

Goldschmiede Zeitung 3-1987 item lower center of p. 33.

Swiss Watch & Jewelry Journal 2-1987 item center left of p. 434.

*Primary Examiner*—A. Hugo Word

*Assistant Examiner*—R. Seifert

*Attorney, Agent, or Firm*—Samuels, Gauthier & Stevens

### [57] CLAIM

The ornamental design for a top shell for expansion bracelet link, as shown and described.

### DESCRIPTION

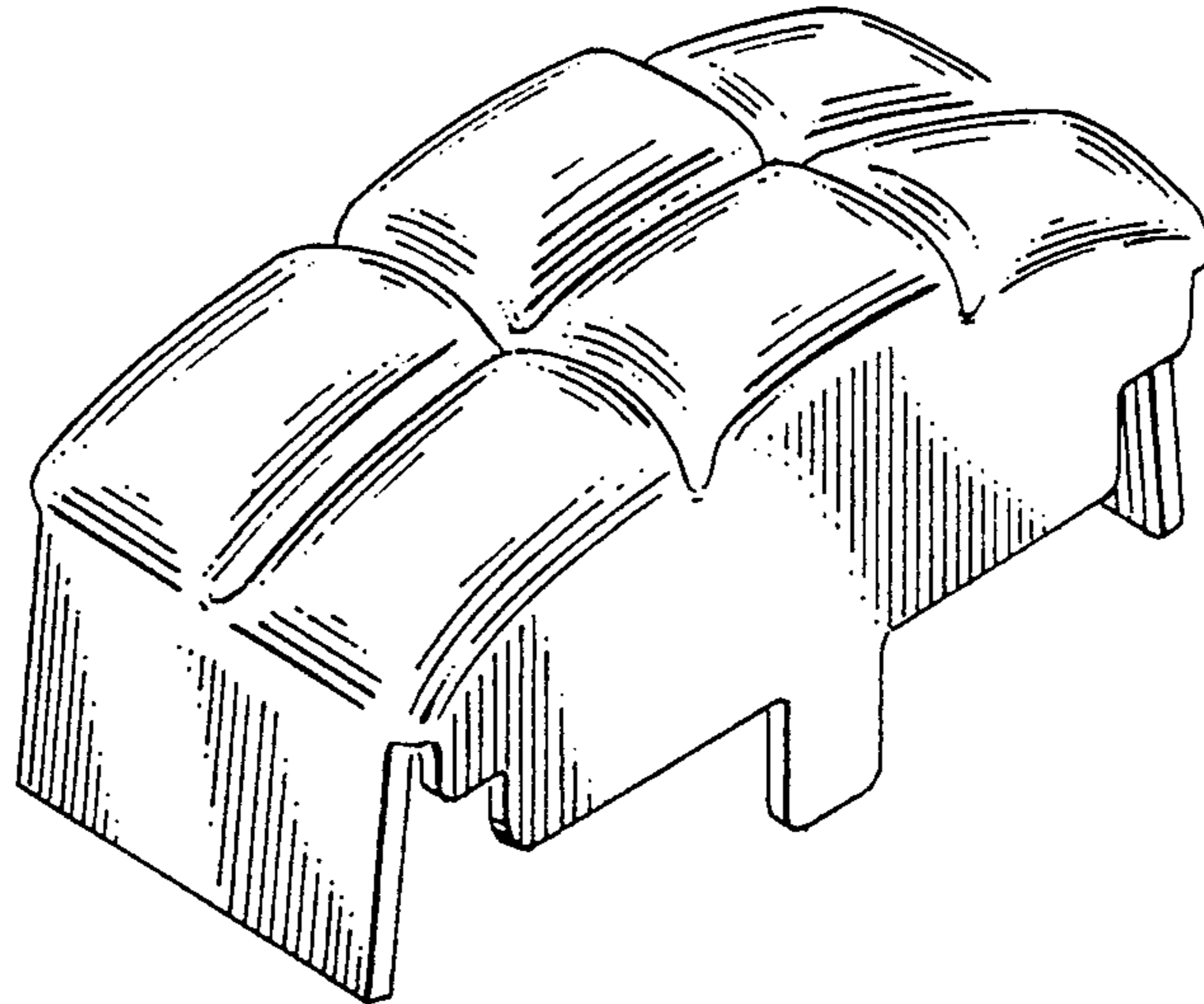
FIG. 1 is a perspective view of a top shell for expansion bracelet link showing my new design;

FIG. 2 is a top plan view thereof;

FIG. 3 is a side elevational view thereof;

FIG. 4 is an end elevational view thereof; and,

FIG. 5 is a bottom plan view thereof.



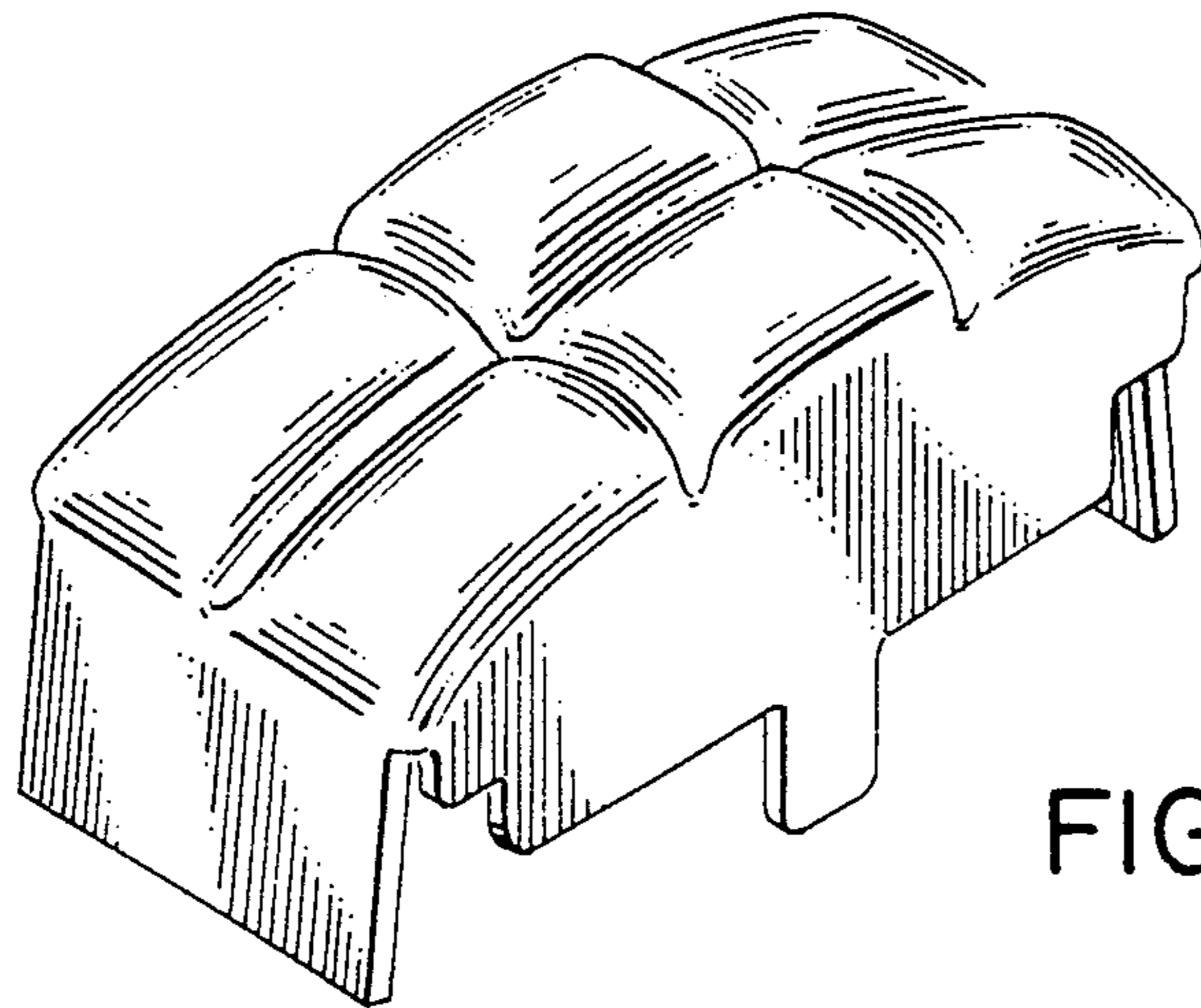


FIG. 1

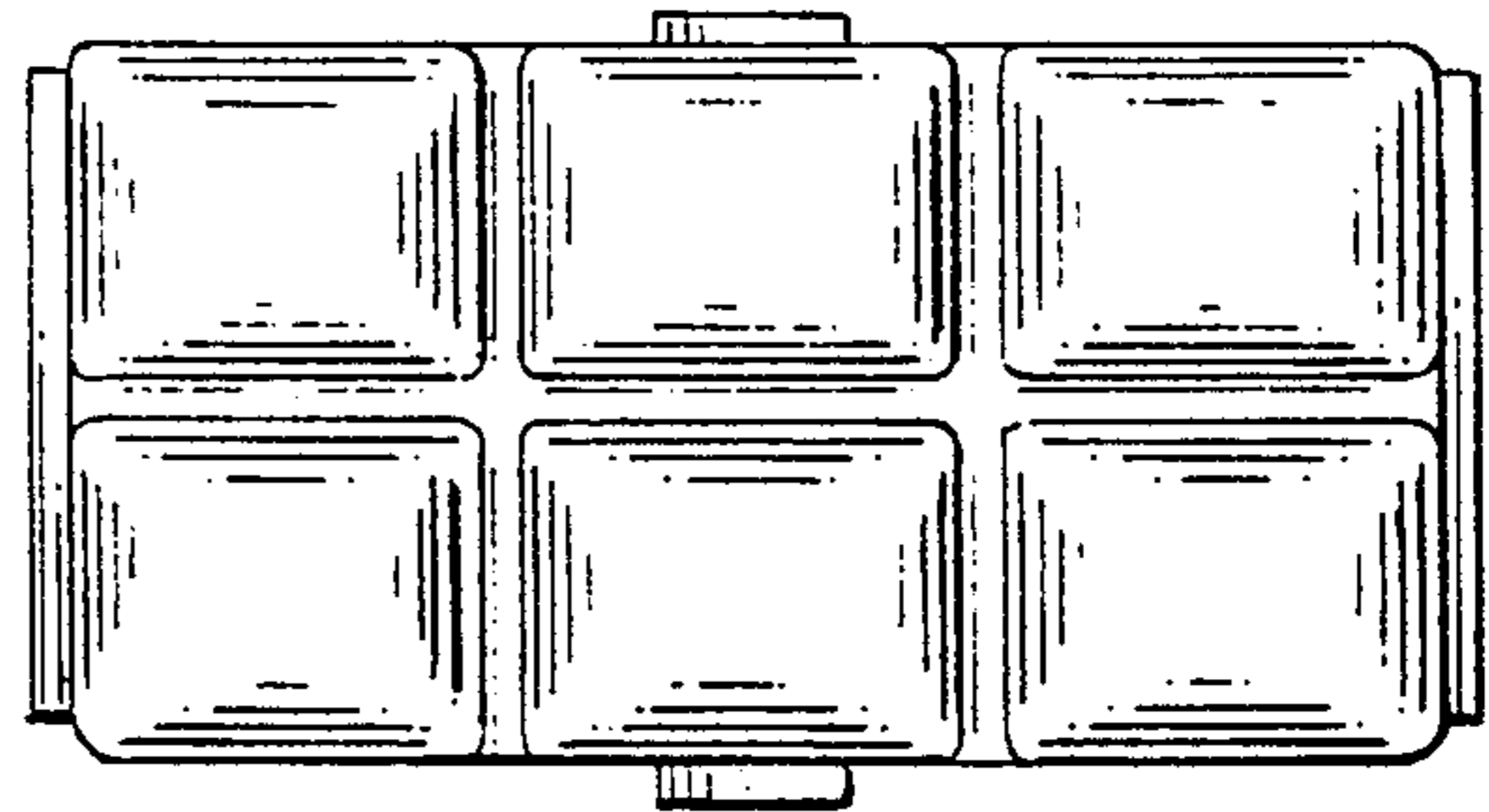


FIG. 2

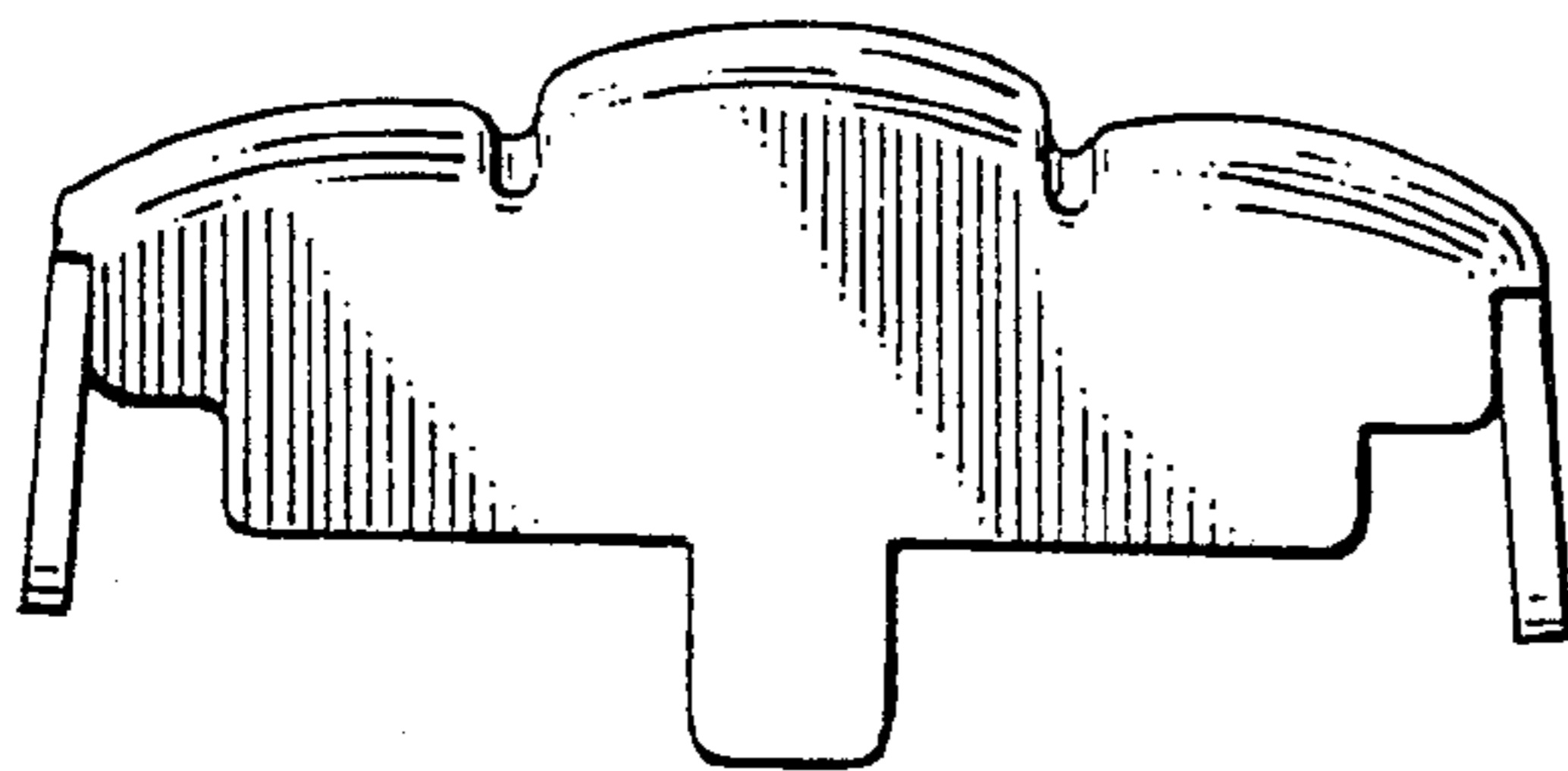


FIG. 3

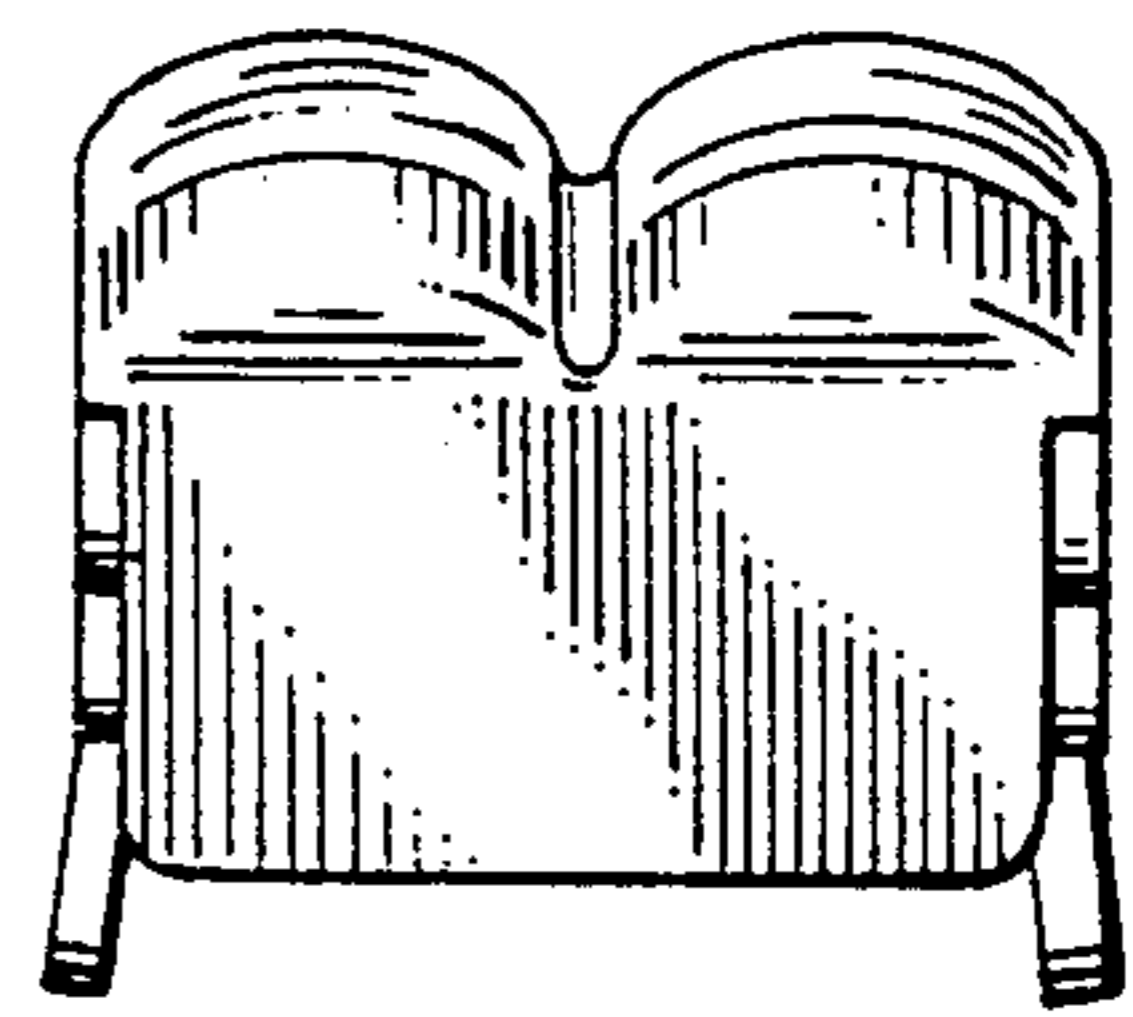


FIG. 4

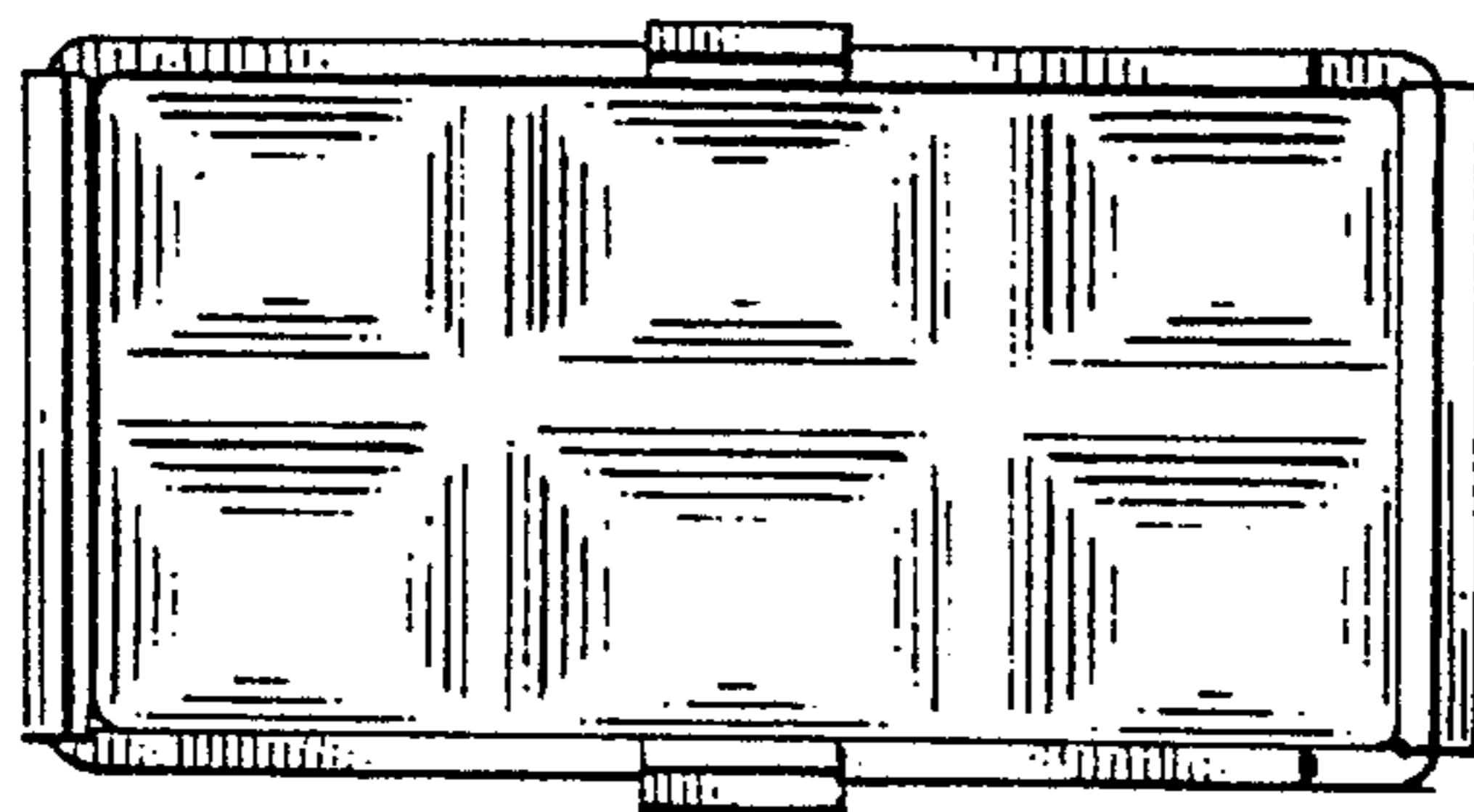


FIG. 5