



US00D326618S

United States Patent [19]

[11] Patent Number: **Des. 326,618**

Draper

[45] Date of Patent: **** Jun. 2, 1992**

[54] ELECTRICAL BOX PLACEMENT TOOL

3,950,857 4/1976 Znavich 33/DIG. 10 X
4,180,226 12/1979 Matte D10/64 X

[76] Inventor: **Roger R. Draper**, 1688 W. Windsor St., San Bernardino, Calif. 92407

Primary Examiner—Donald P. Walsh
Assistant Examiner—Antoine D. Davis
Attorney, Agent, or Firm—John H. Crowe

[**] Term: **14 Years**

[21] Appl. No.: **434,833**

[57] **CLAIM**

[22] Filed: **Nov. 13, 1989**

The ornamental design for an electrical box placement tool, as shown and described.

[52] U.S. Cl. **D10/65**

[58] Field of Search D10/64, 61, 65, 70;
33/197, 528, DIG. 10

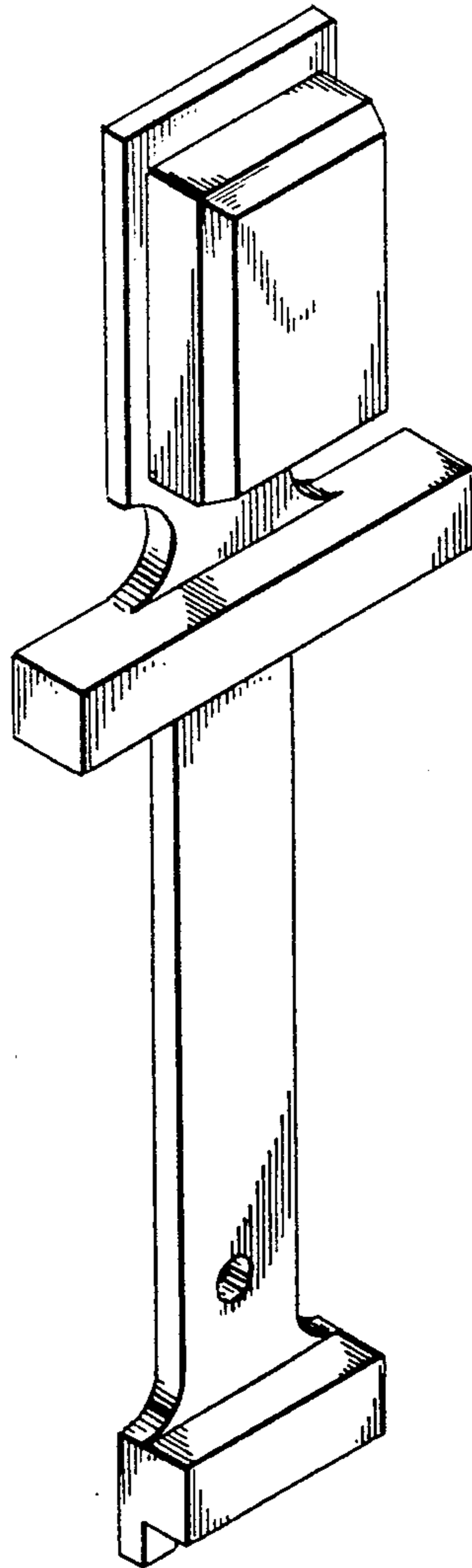
DESCRIPTION

[56] **References Cited**

U.S. PATENT DOCUMENTS

D. 215,757	10/1969	Chang	D10/65
D. 282,828	3/1986	Holder	D10/64 X
D. 313,945	1/1991	Thomas et al.	D10/64
2,919,913	1/1960	Phair	33/197
3,159,086	12/1964	Schwartz	D10/64 X
3,678,588	7/1972	Isola et al.	33/DIG. 10 X

FIG. 1 is a perspective view of an electrical box placement tool showing my new design; FIG. 2 is a top plan view; FIG. 3 is a front elevational view; FIG. 4 is a right side elevational view, the left side elevational view being identical; FIG. 5 is a rear elevational view; and, FIG. 6 is a bottom plan view thereof. FIG. 1 has been drawn on a slightly reduced scale with respect to FIGS. 2-6.



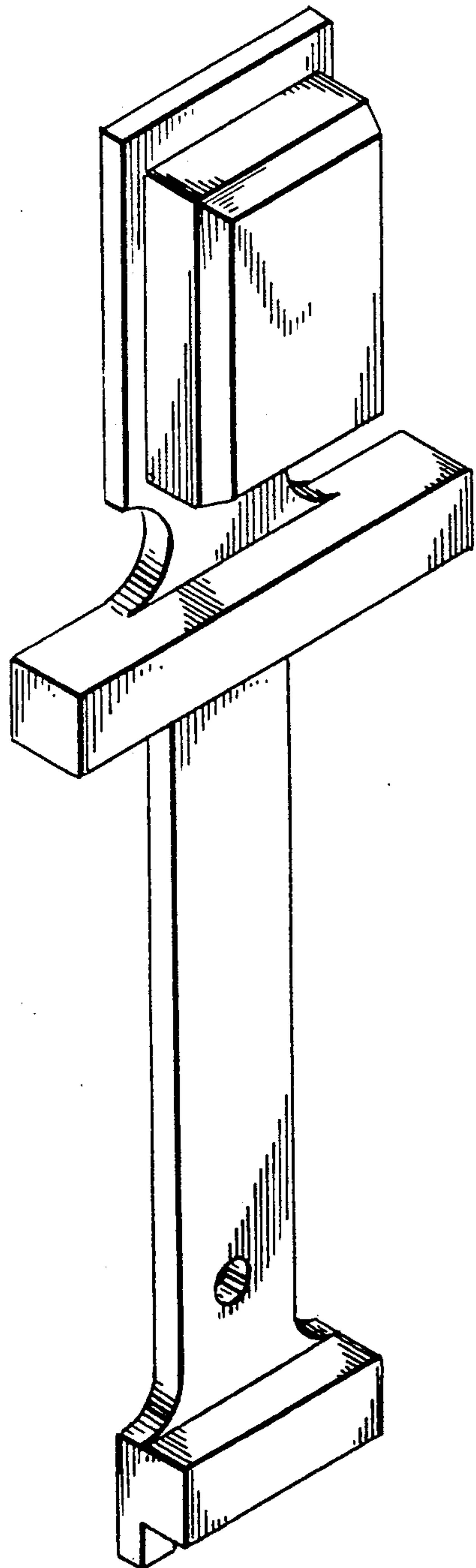


FIG. 1

FIG. 2

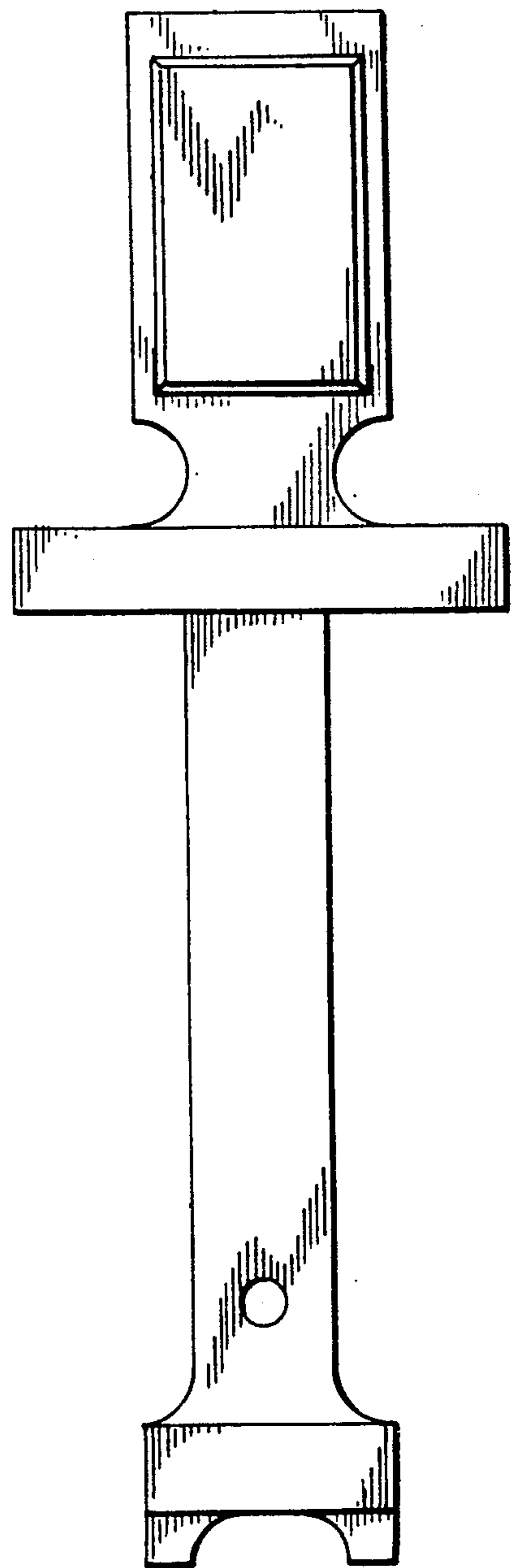
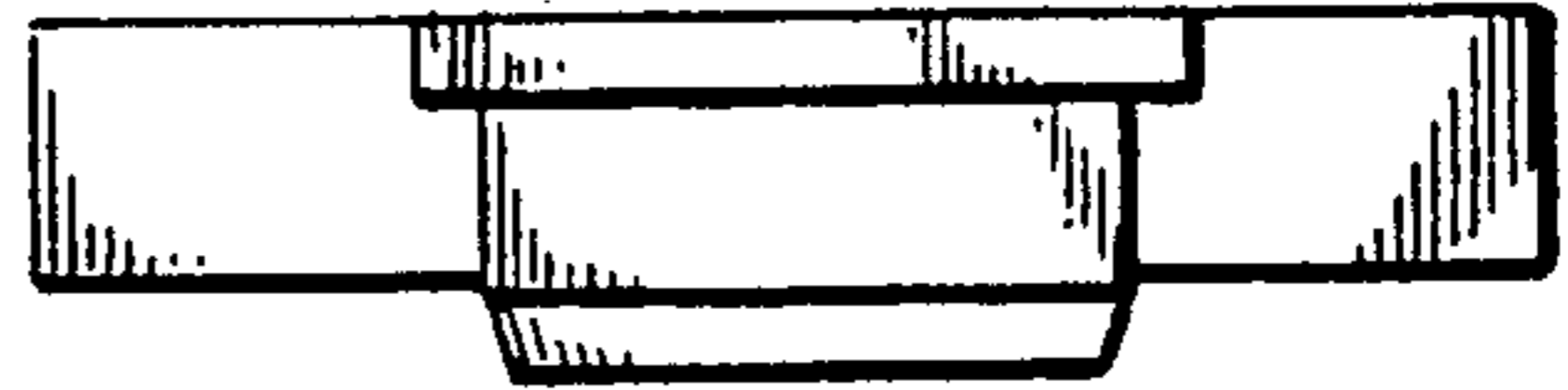


FIG. 3

FIG. 5

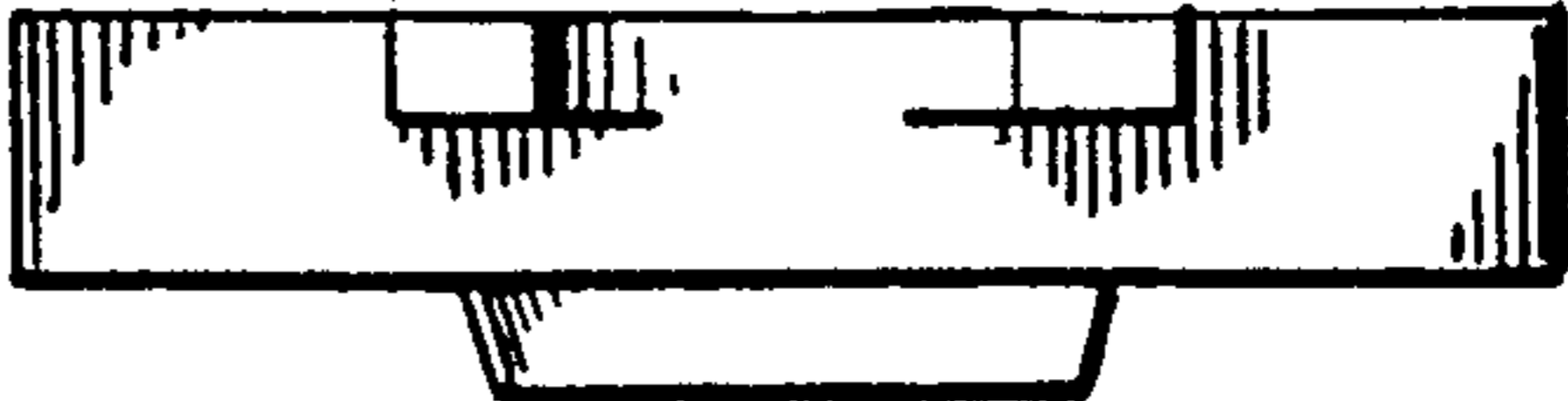
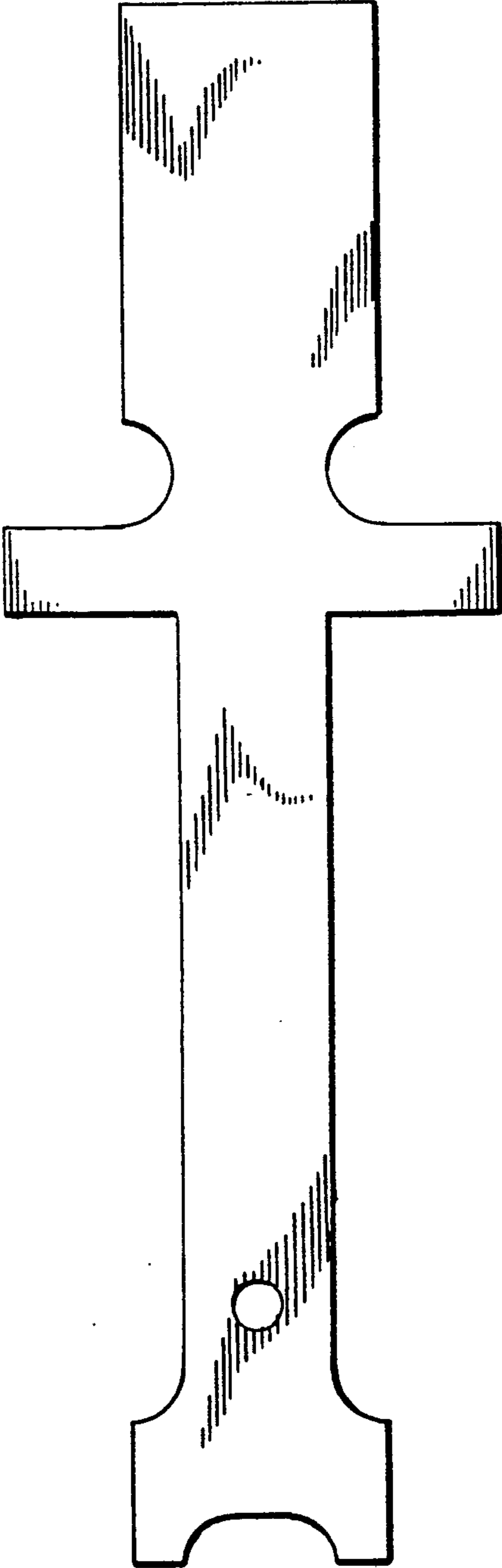


FIG. 6

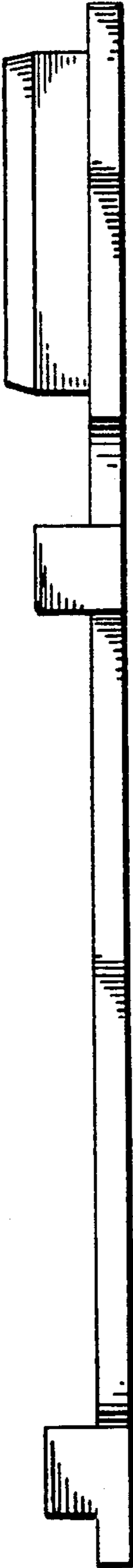


FIG. 4