



US00D326617S

# United States Patent [19] Bulgari

[11] Patent Number: Des. 326,617  
[45] Date of Patent: \*\* Jun. 2, 1992

[54] WRISTWATCH

[75] Inventor: Gianni Bulgari, Rome, Italy  
[73] Assignee: Gianni Bulgari S.p.A., Rome, Italy  
[\*\*] Term: 14 Years  
[21] Appl. No.: 304,378  
[22] Filed: Jan. 31, 1989

[30] Foreign Application Priority Data

Nov. 29, 1988 [IT] Italy ..... 53573/88[U]

[52] U.S. Cl. .... D10/39

[58] Field of Search ..... D10/30-33,  
D10/38, 39, 122-126; 368/223-232, 276-278,  
281, 292-296

[56] References Cited

U.S. PATENT DOCUMENTS

|            |        |          |       |        |
|------------|--------|----------|-------|--------|
| D. 135,635 | 5/1943 | Von Burg | ..... | D10/32 |
| D. 170,179 | 8/1953 | Wylar    | ..... | D10/39 |
| D. 178,770 | 9/1956 | Doerwald | ..... | D10/39 |
| D. 178,771 | 9/1956 | Doerwald | ..... | D10/39 |
| D. 251,055 | 2/1979 | Sulek    | ..... | D10/38 |

FOREIGN PATENT DOCUMENTS

918064 11/1945 France ..... 368/281  
339878 9/1959 Switzerland ..... 368/232

OTHER PUBLICATIONS

Jeweler's Circular-Keystone, Flat Quartz Calendar #20-95-210, p. 34, Mar. 1979.

Primary Examiner—Bruce W. Dunkins  
Assistant Examiner—Antoine D. Davis  
Attorney, Agent, or Firm—Sughrue, Mion, Zinn, Macpeak & Seas

[57] CLAIM

The ornamental design for a wristwatch, as shown.

DESCRIPTION

FIG. 1 is a front elevational view of a wristwatch showing my new design;  
FIG. 2 is a top plan view;  
FIG. 3 is a bottom plan view;  
FIG. 4 is a left side elevational view;  
FIG. 5 is a right side elevational view;  
FIG. 6 is a rear elevational view; and,  
FIG. 7 is a perspective view thereof.

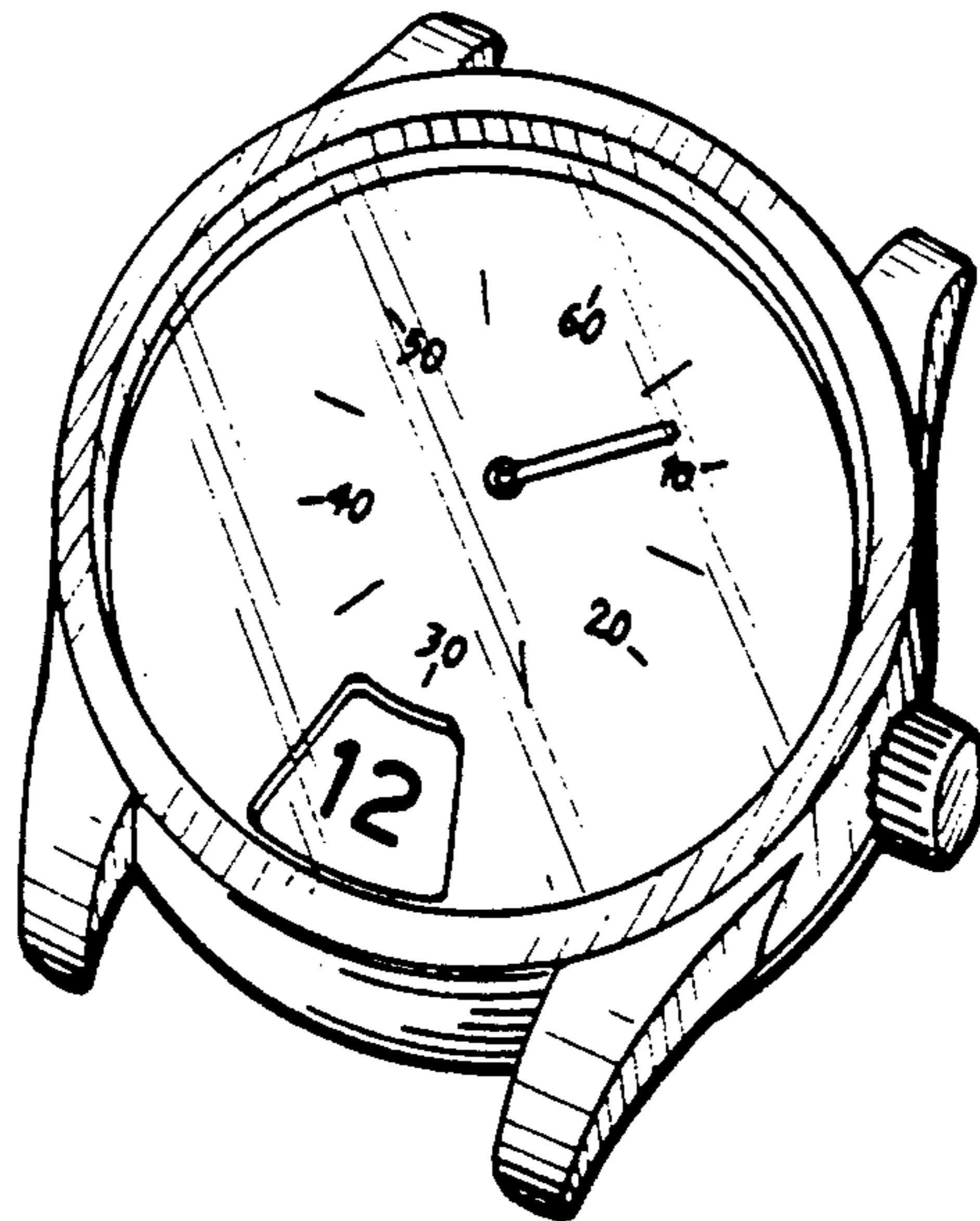


FIG. 2

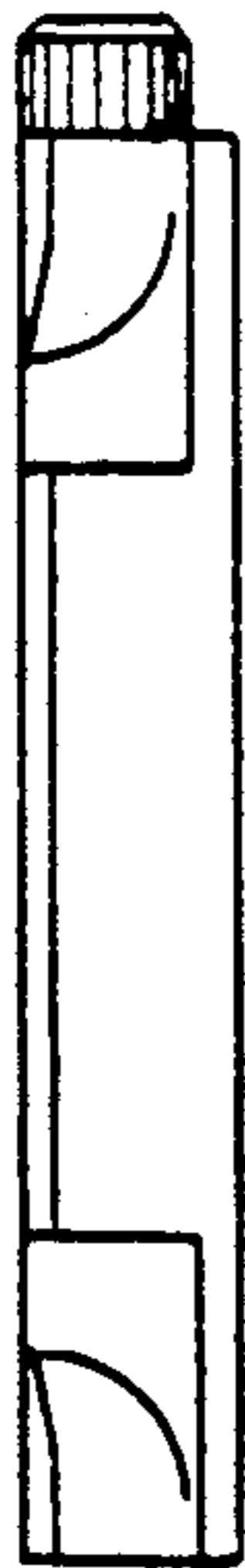


FIG. 1

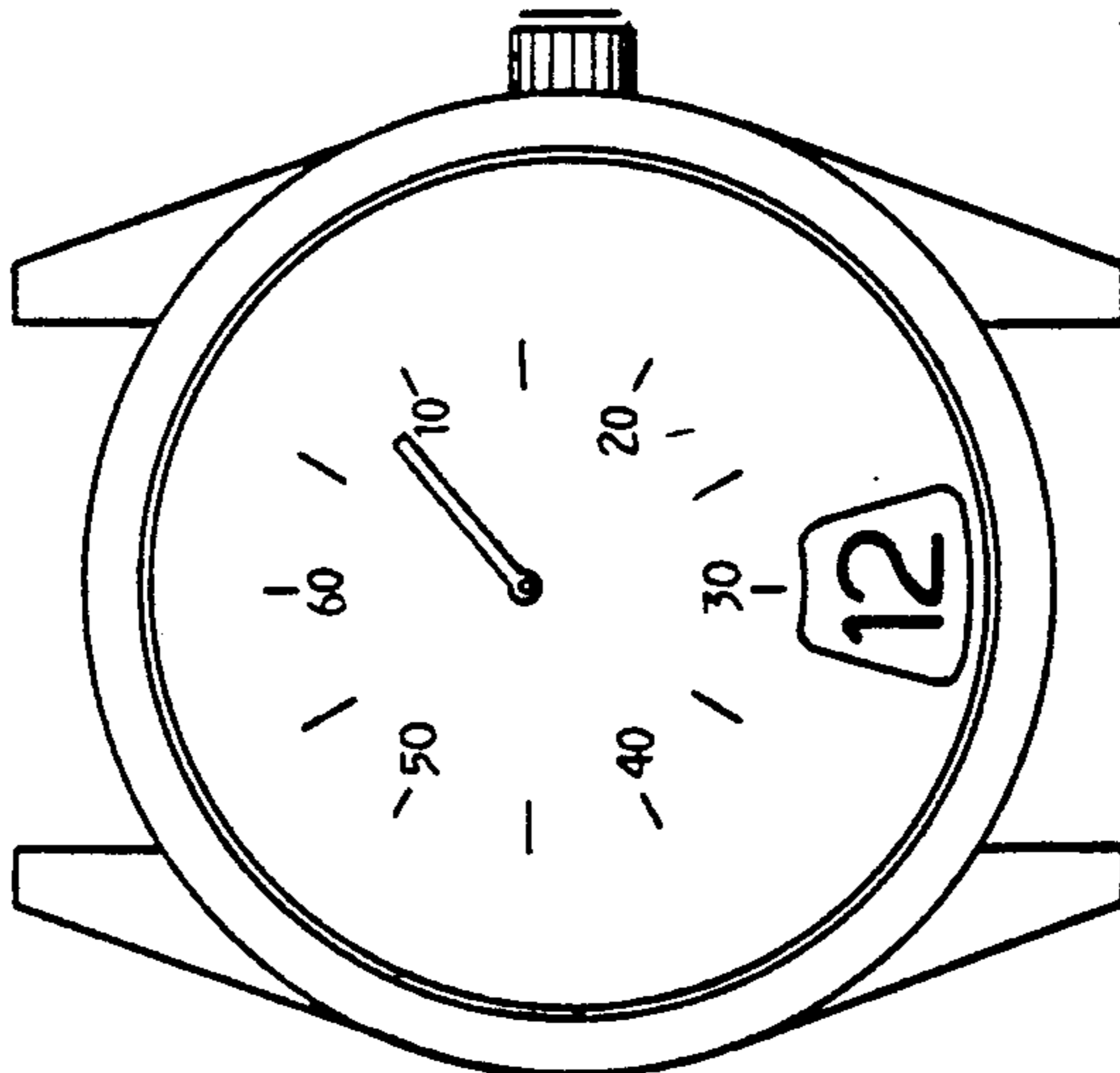


FIG. 4



FIG. 5



FIG. 6

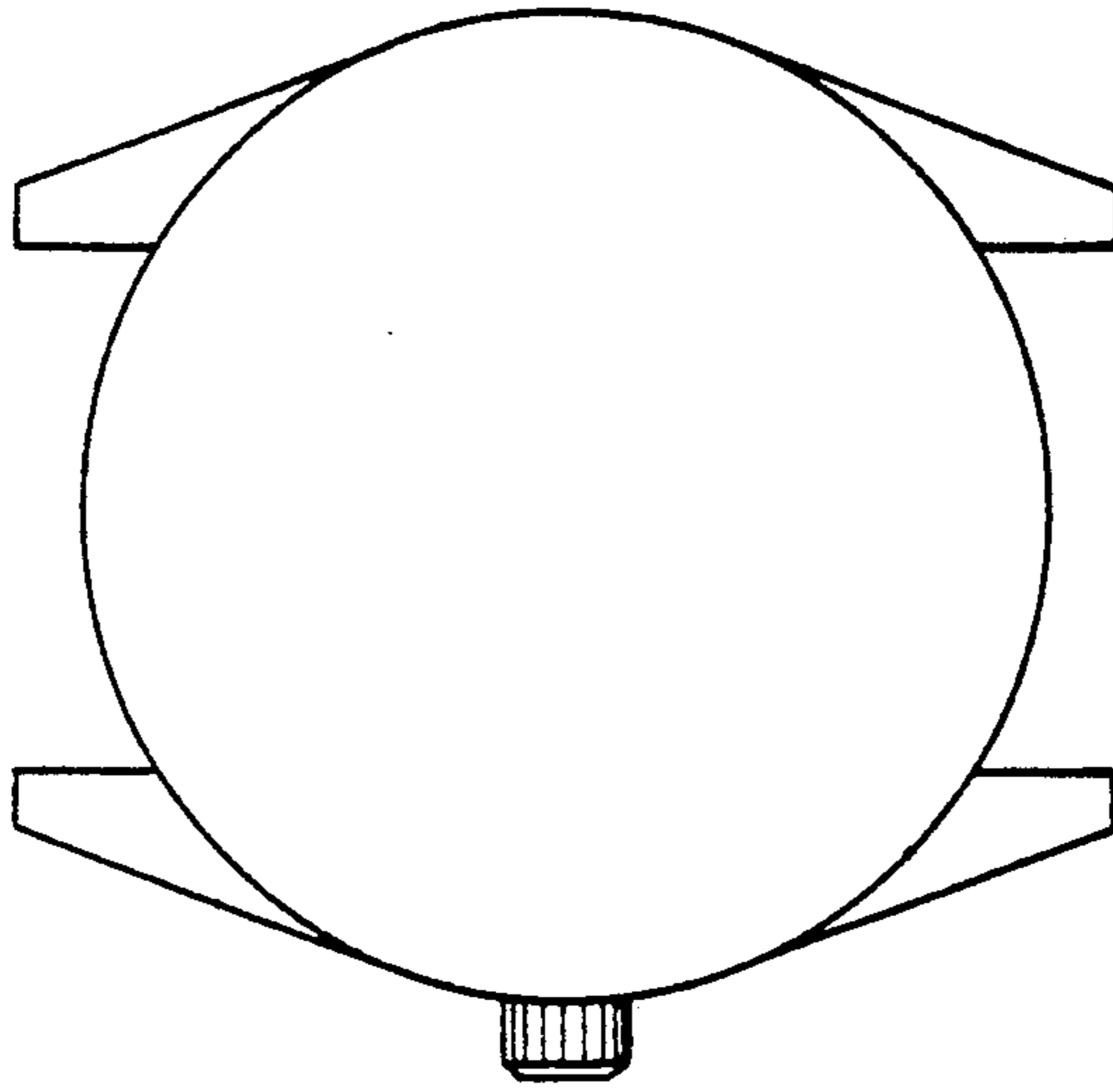


FIG. 3

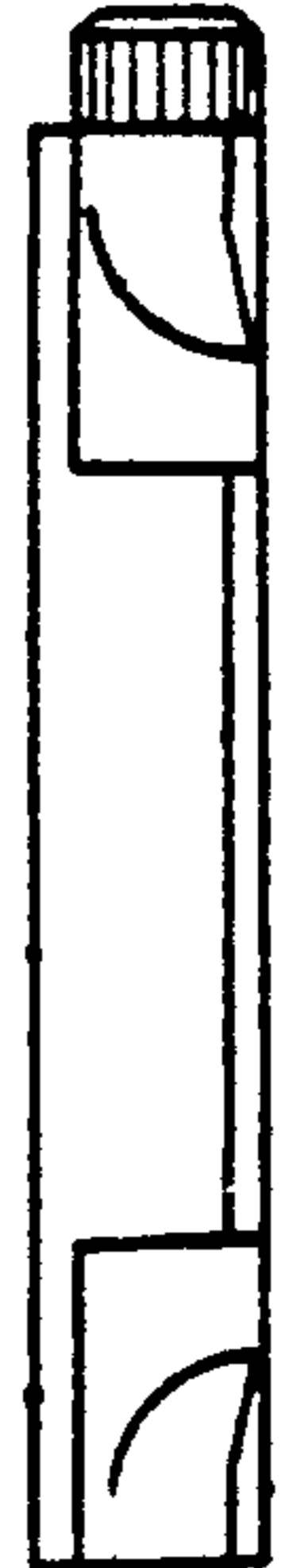


FIG. 7

