



US00D326614S

United States Patent [19]

[11] Patent Number: **Des. 326,614**

Hwang

[45] Date of Patent: **** Jun. 2, 1992**

[54] **CLOCK**

FOREIGN PATENT DOCUMENTS

[76] Inventor: **Tsair W. Hwang**, No. 165, Tsu Hsiu N. Rd., Chang Hua City, Taiwan

0096284 8/1981 Japan 368/23

[**] Term: **14 Years**

OTHER PUBLICATIONS

[21] Appl. No.: **375,333**

National Jeweler—Oct. 1935—p. 112—Globe Clock at top-right.

[22] Filed: **Jun. 30, 1989**

Primary Examiner—Nelson C. Holtje
Attorney, Agent, or Firm—Poms, Smith, Lande & Rose

[52] U.S. Cl. **D10/15; D10/10; D10/23**

[57] CLAIM

[58] Field of Search **D10/1, 40, 122-132; 368/21-24, 276-277, 285**

The ornamental design for a clock, as shown and described.

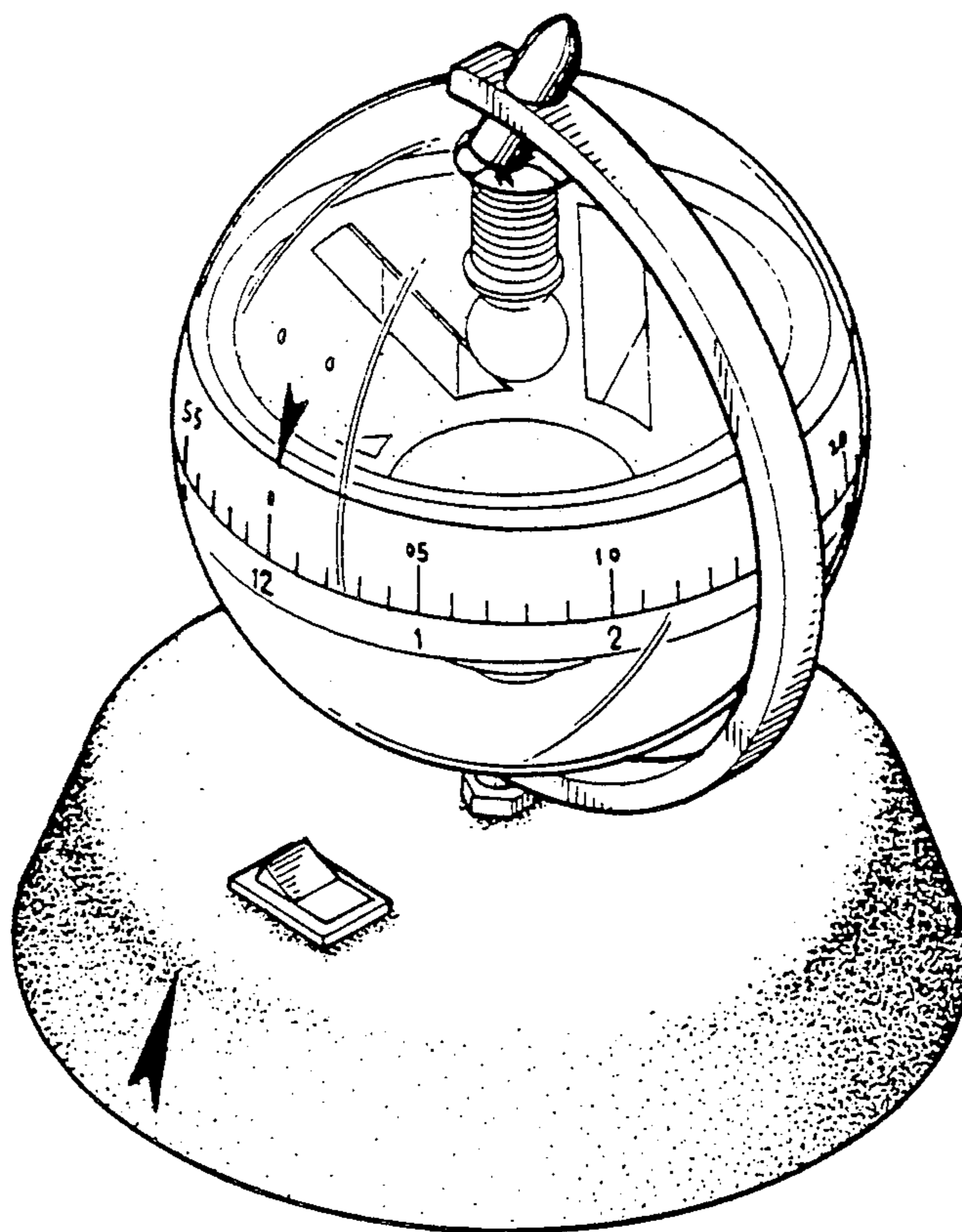
[56] References Cited

DESCRIPTION

U.S. PATENT DOCUMENTS

D. 100,697	8/1936	Himmel	D10/10 X
D. 178,872	10/1956	Eickemeyer	D10/10
D. 281,983	12/1985	Yasafuku	D10/10 X
2,785,528	3/1957	Kernick	368/24
2,907,166	10/1959	Baccara	368/24
3,370,415	2/1968	McIlvaine	368/24
4,477,193	10/1984	Yasafuku	368/24

FIG. 1 is a front and top-right perspective view of a clock showing my new design;
 FIG. 2 is a front elevational view thereof;
 FIG. 3 is a rear elevational view thereof;
 FIG. 4 is a top plan view thereof;
 FIG. 5 is a bottom plan view thereof;
 FIG. 6 is a left side elevational view thereof;
 FIG. 7 is a right side elevational view thereof; and,
 FIG. 8 is an exploded front perspective view thereof.



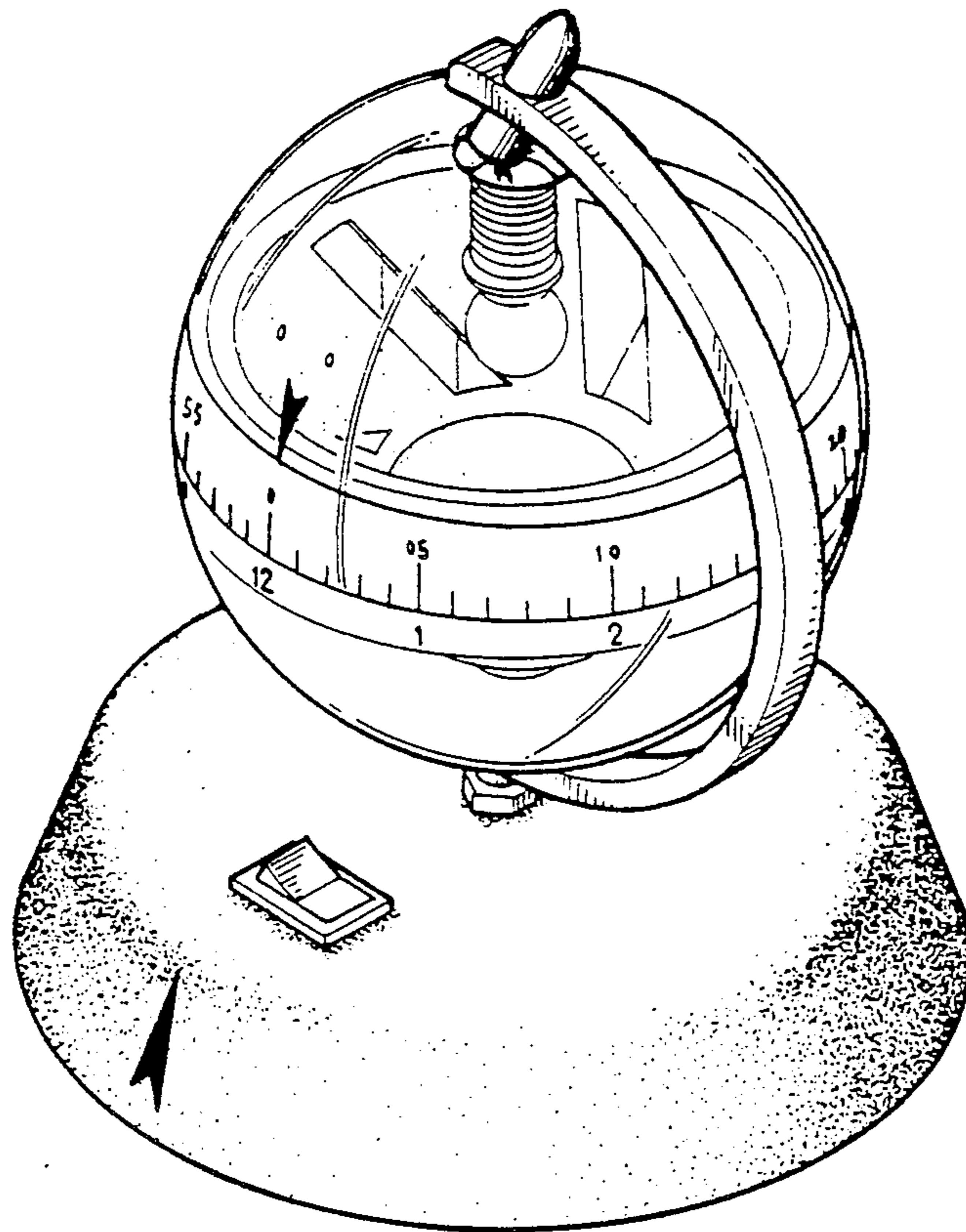


FIG. 1

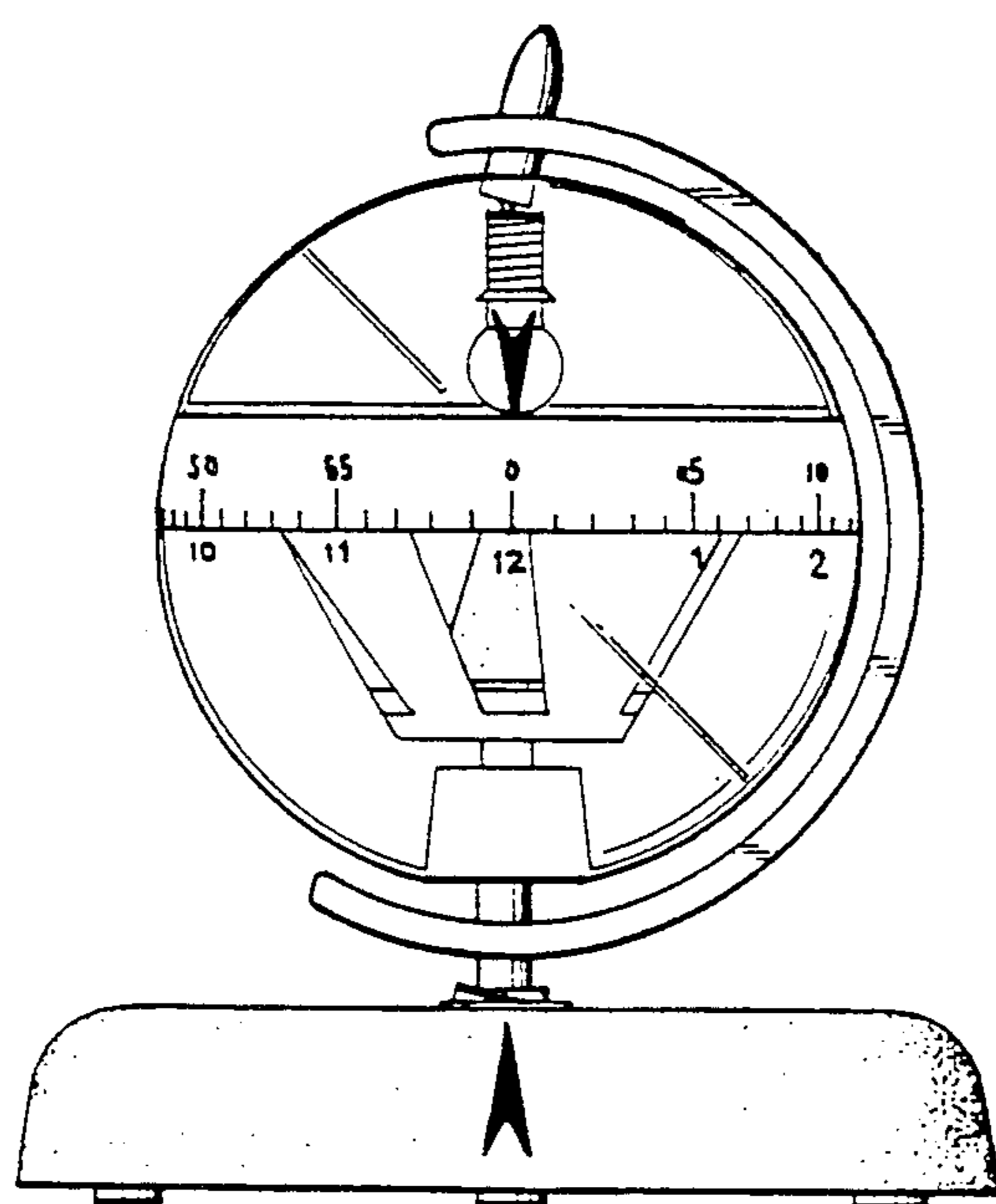


FIG. 2

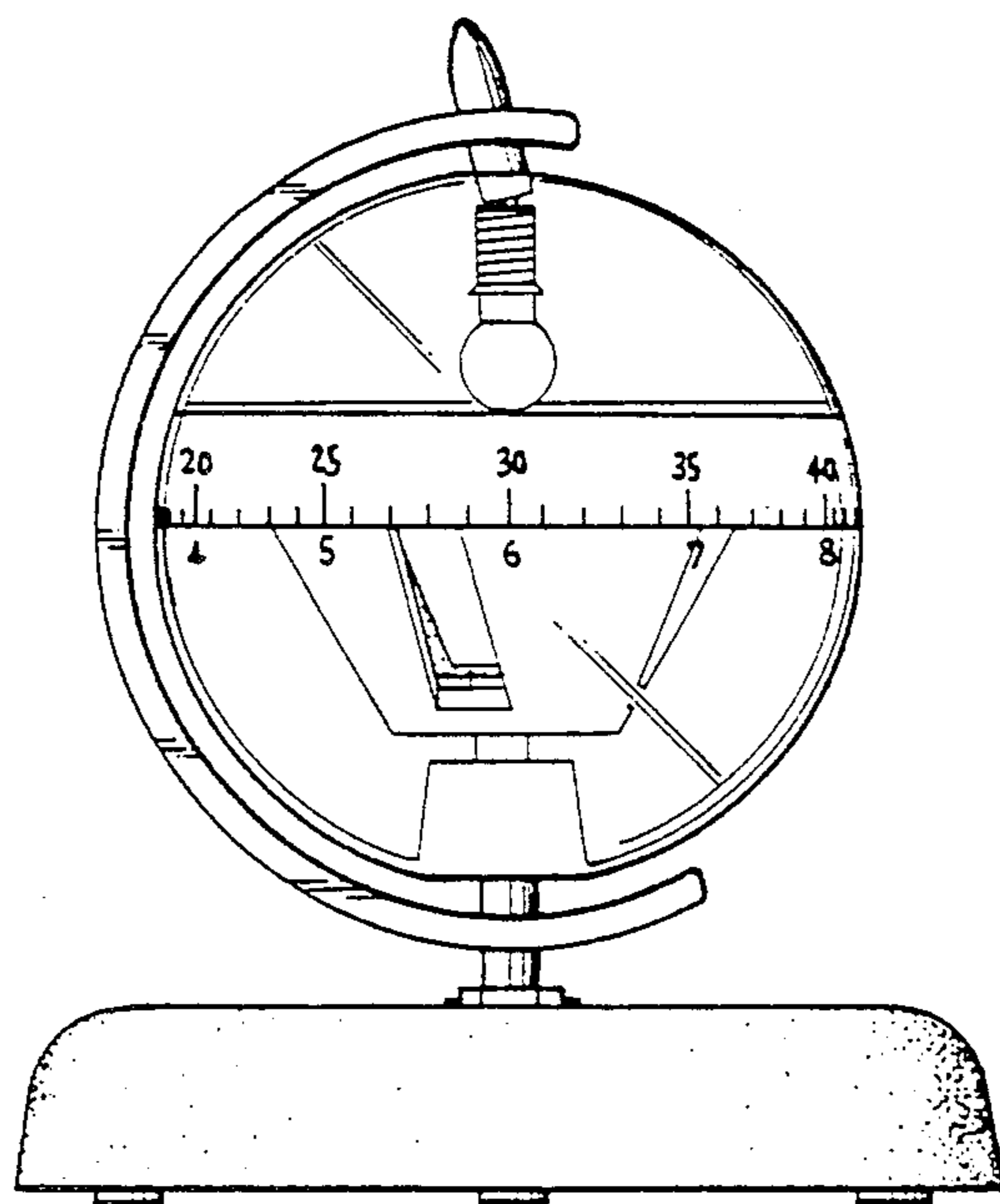


FIG. 3

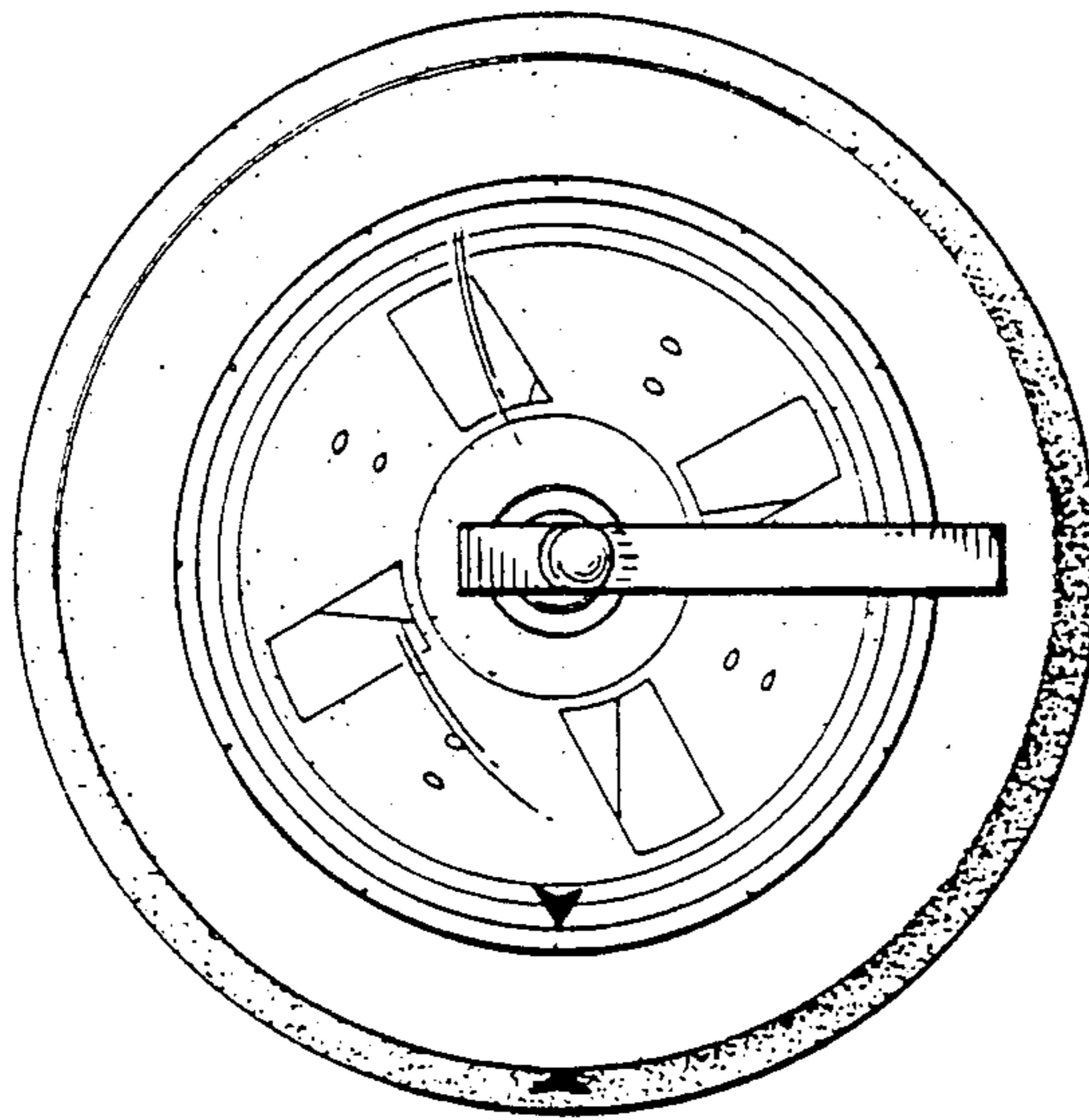


FIG. 4

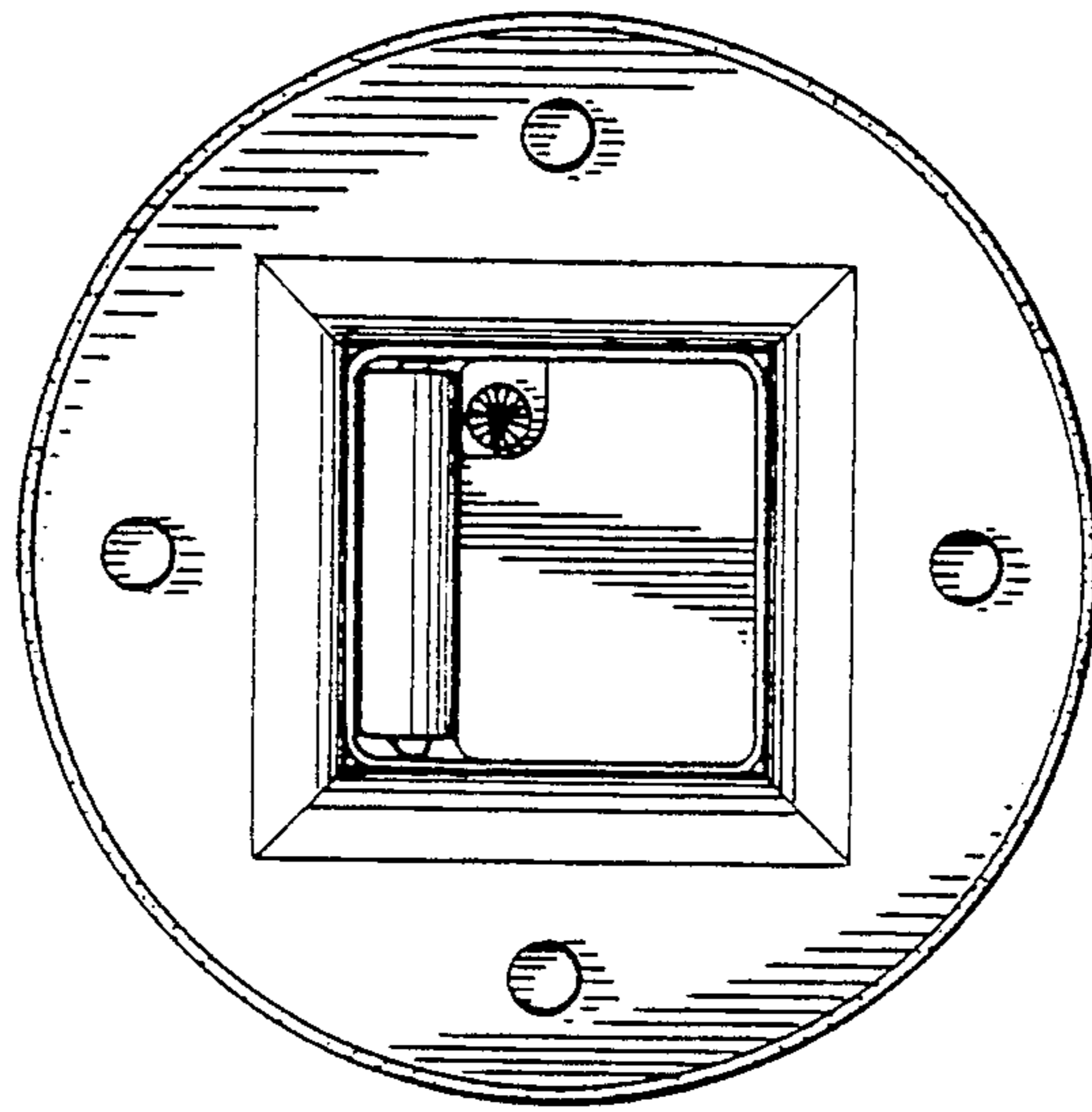


FIG. 5

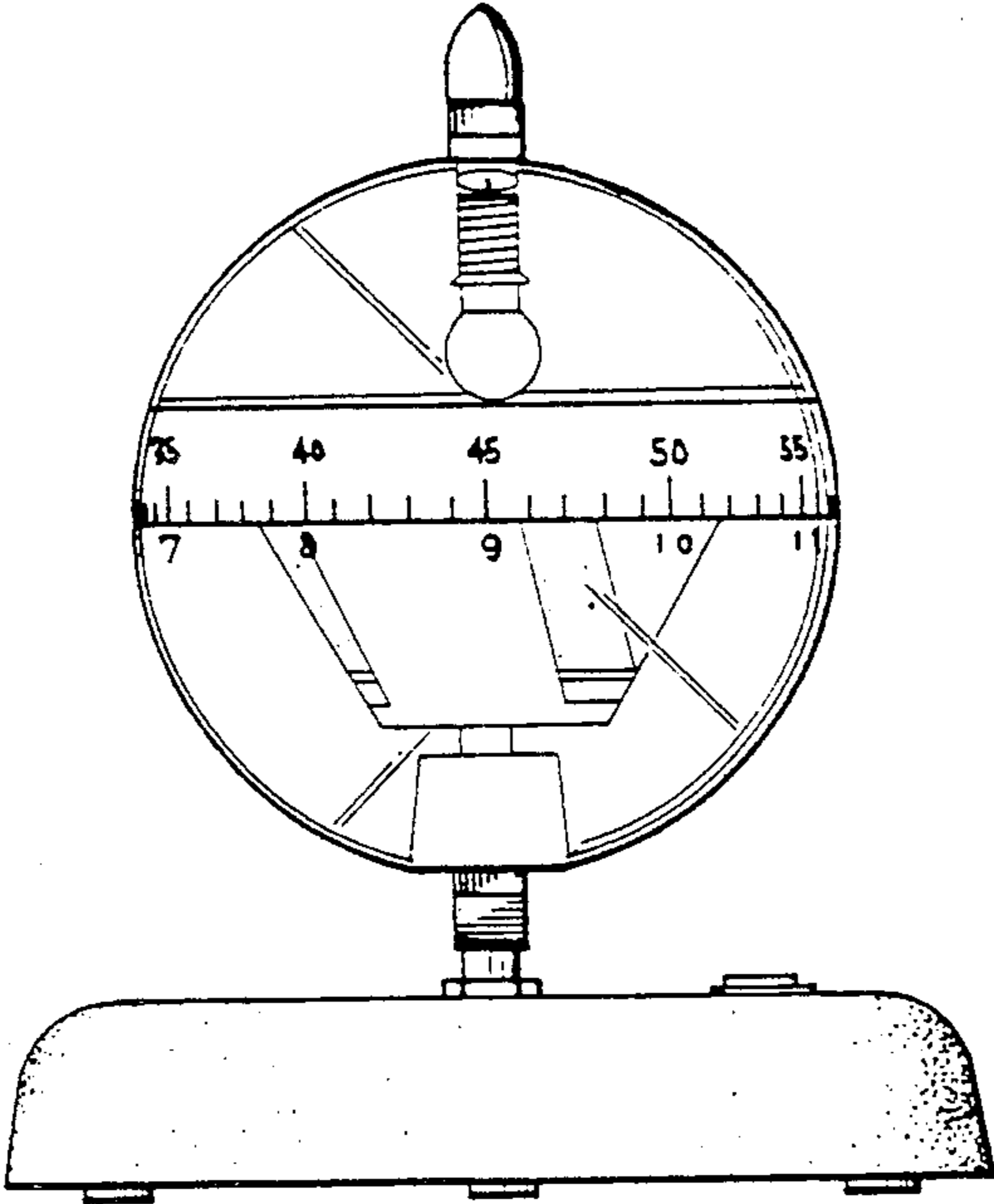


FIG. 6

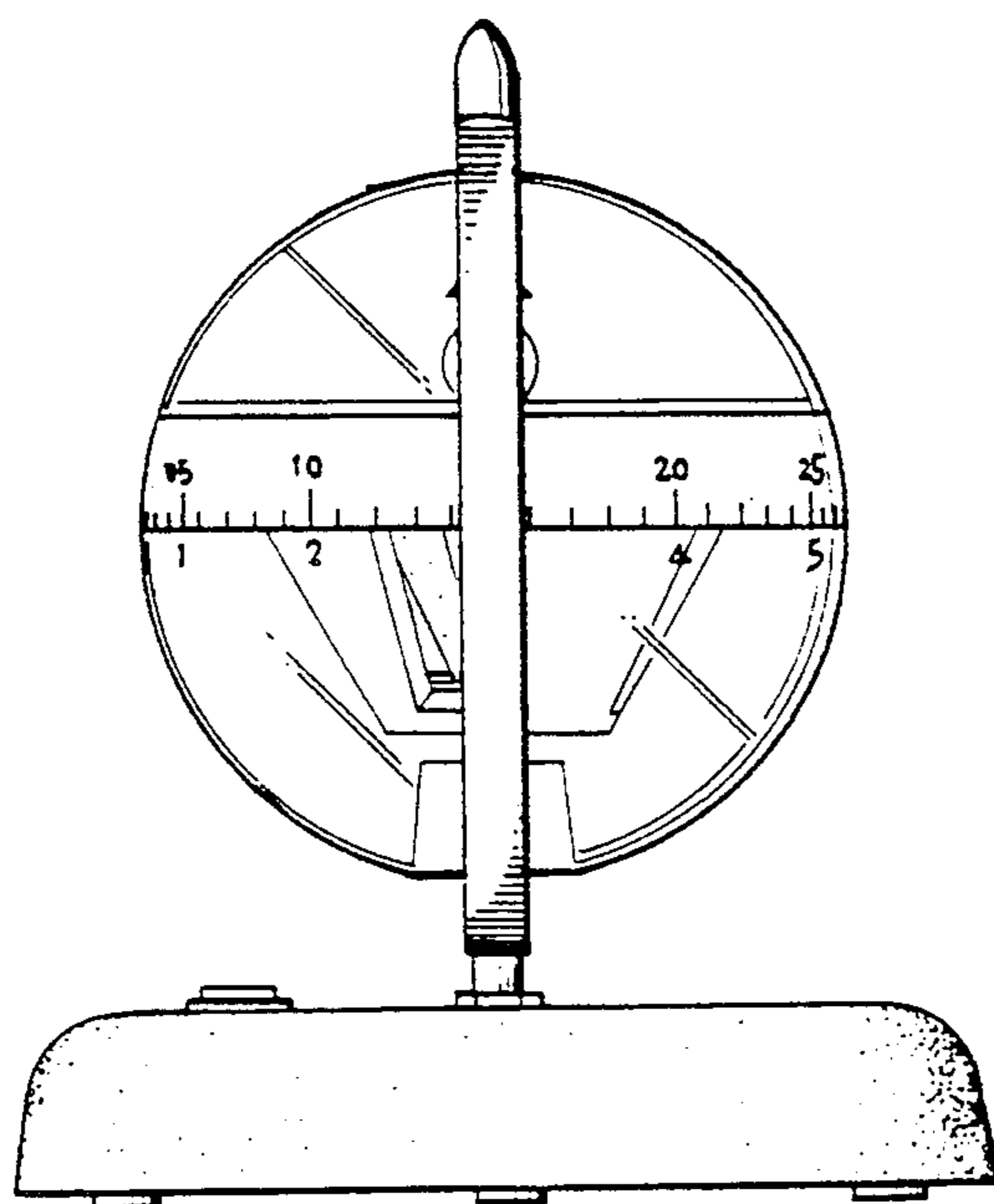


FIG. 7

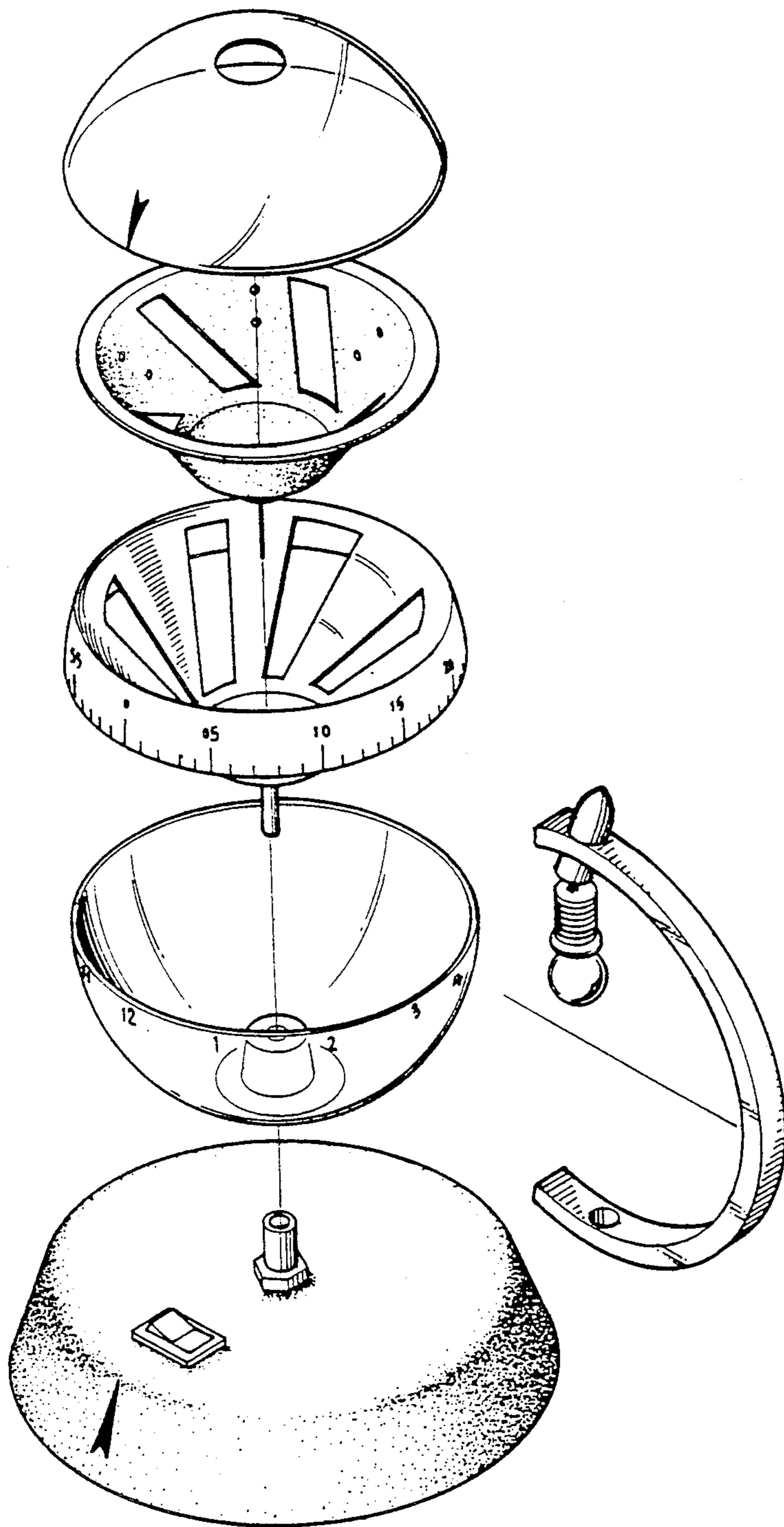


FIG. 8