



US00D326613S

# United States Patent [19]

[11] Patent Number: **Des. 326,613**

Babcock et al.

[45] Date of Patent: **\*\* Jun. 2, 1992**

[54] HANDLE FOR BOTTLES

[76] Inventors: **Lowell C. Babcock**, 1647 Park Ave., Sycamore, Ill. 60178; **John F. Pokorny**, 755 Spruce Tree La., Algonquin, Ill. 60102

[\*\*] Term: **14 Years**

[21] Appl. No.: **508,736**

[22] Filed: **Apr. 13, 1990**

[52] U.S. Cl. .... **D9/455; D8/300; D9/434**

[58] Field of Search ..... **D9/434, 443, 447, 455; D8/300; 220/94 R, 94 A, 94 B, 95, 96; 215/100 R, 100 A**

[56] **References Cited**

**U.S. PATENT DOCUMENTS**

D. 18,036	2/1888	Benedict	.....	D9/434 X
D. 35,370	12/1901	Greiner	.....	D9/443 X
D. 35,614	1/1902	Climer	.....	D9/443 X
D. 261,235	10/1981	McMullan	.....	D9/434
D. 268,815	5/1983	Schwalbach	.....	D9/434

D. 269,253	6/1983	Gognon	.....	D9/434
D. 314,150	1/1991	Preciutti	.....	D8/300 X
D. 318,213	7/1991	Cloonan et al.	.....	D8/300

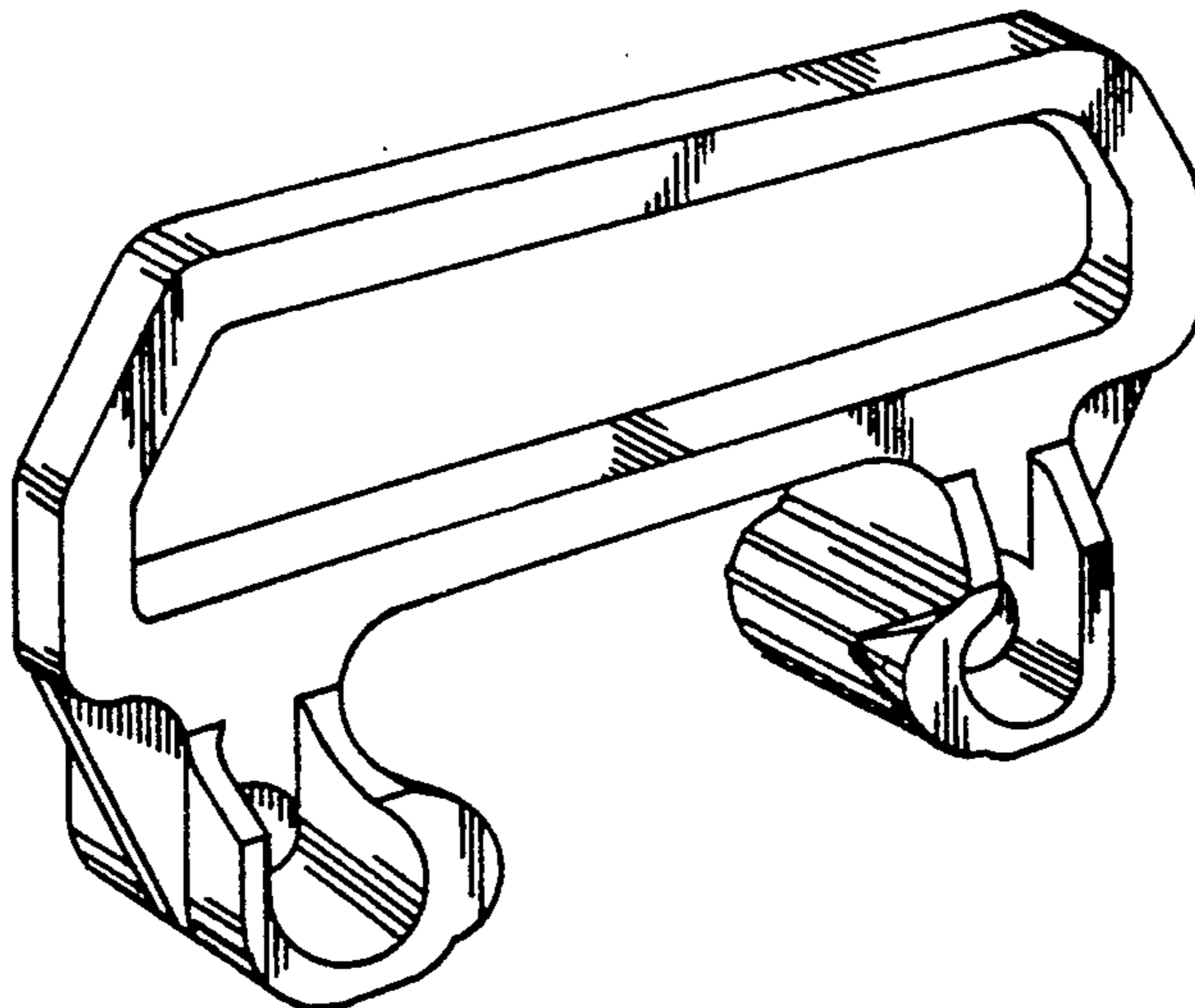
*Primary Examiner*—Bernard Ansher  
*Assistant Examiner*—Dominic Simone  
*Attorney, Agent, or Firm*—Mathew R. P. Perrone, Jr.

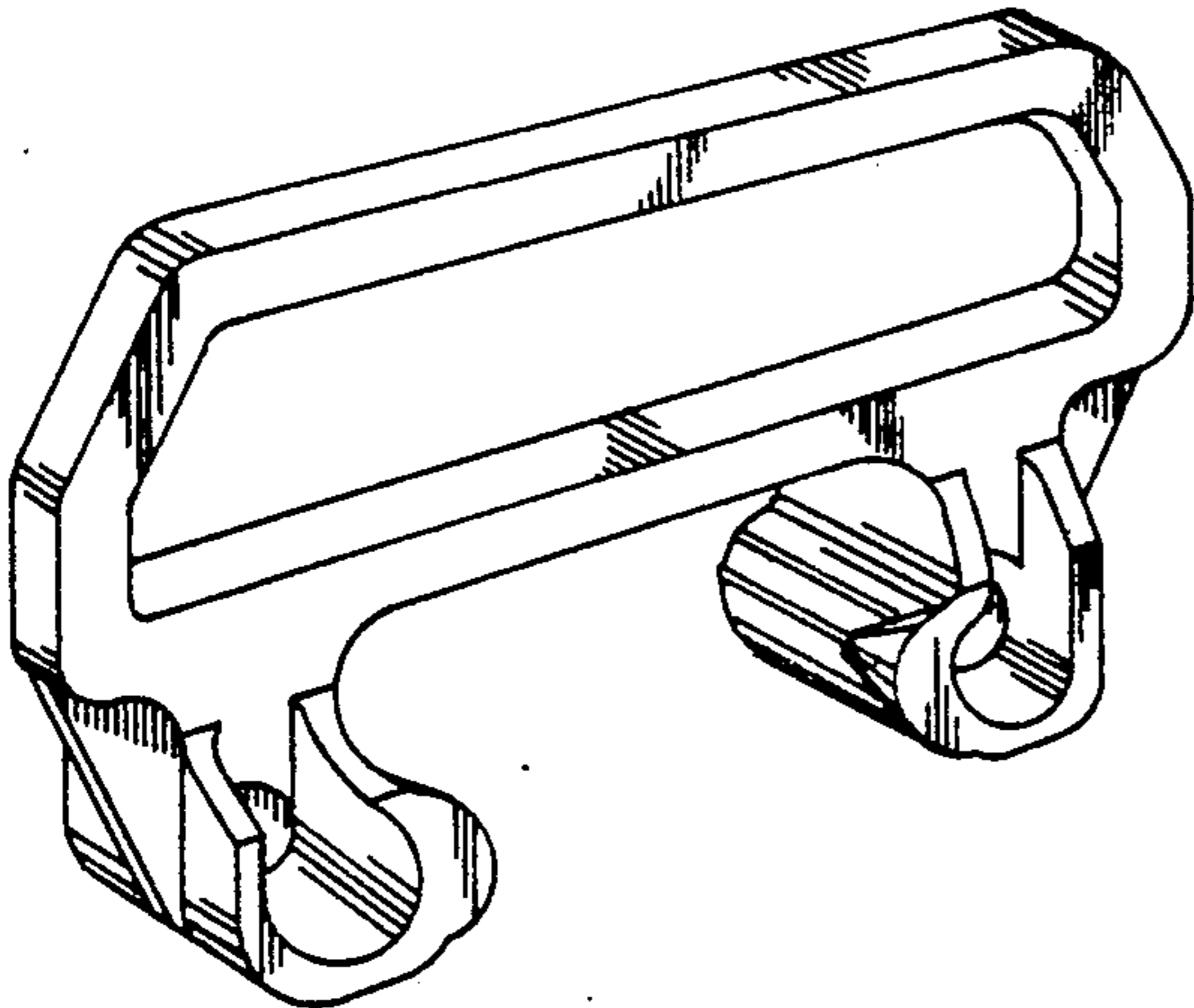
[57] **CLAIM**

The ornamental design for a handle for bottles, is shown and described.

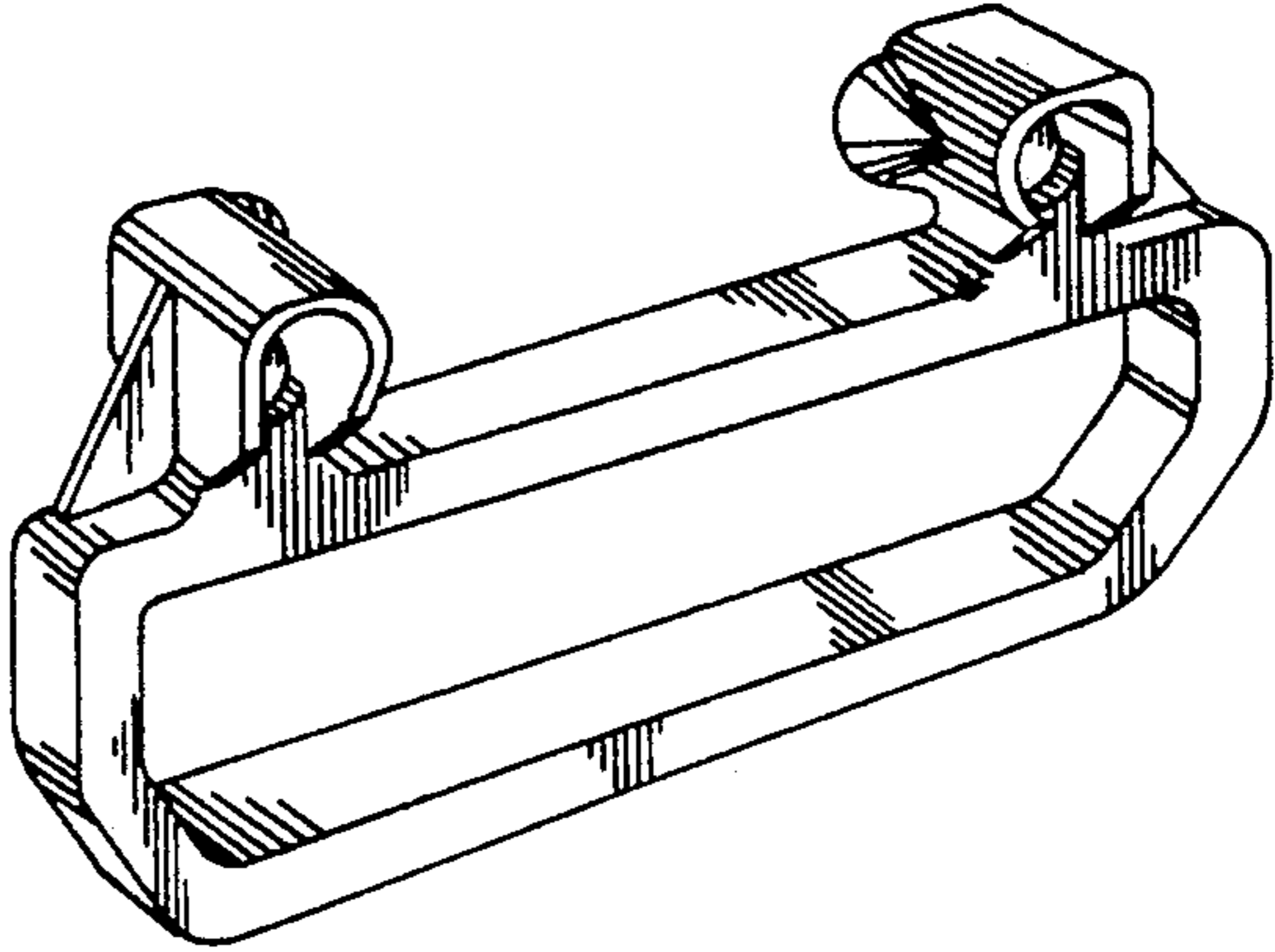
**DESCRIPTION**

FIG. 1 is a top perspective view of a handle for bottles showing our new design;  
FIG. 2 is an inverted perspective view thereof;  
FIG. 3 is a front elevational view thereof;  
FIG. 4 is a rear elevational view thereof;  
FIG. 5 is a top plan view thereof;  
FIG. 6 is a bottom plan view thereof;  
FIG. 7 is a side elevational view thereof, the opposite side being identical; and,  
FIG. 8 is a front elevational view thereof, the bottle shown in broken lines for illustrative purposes only.

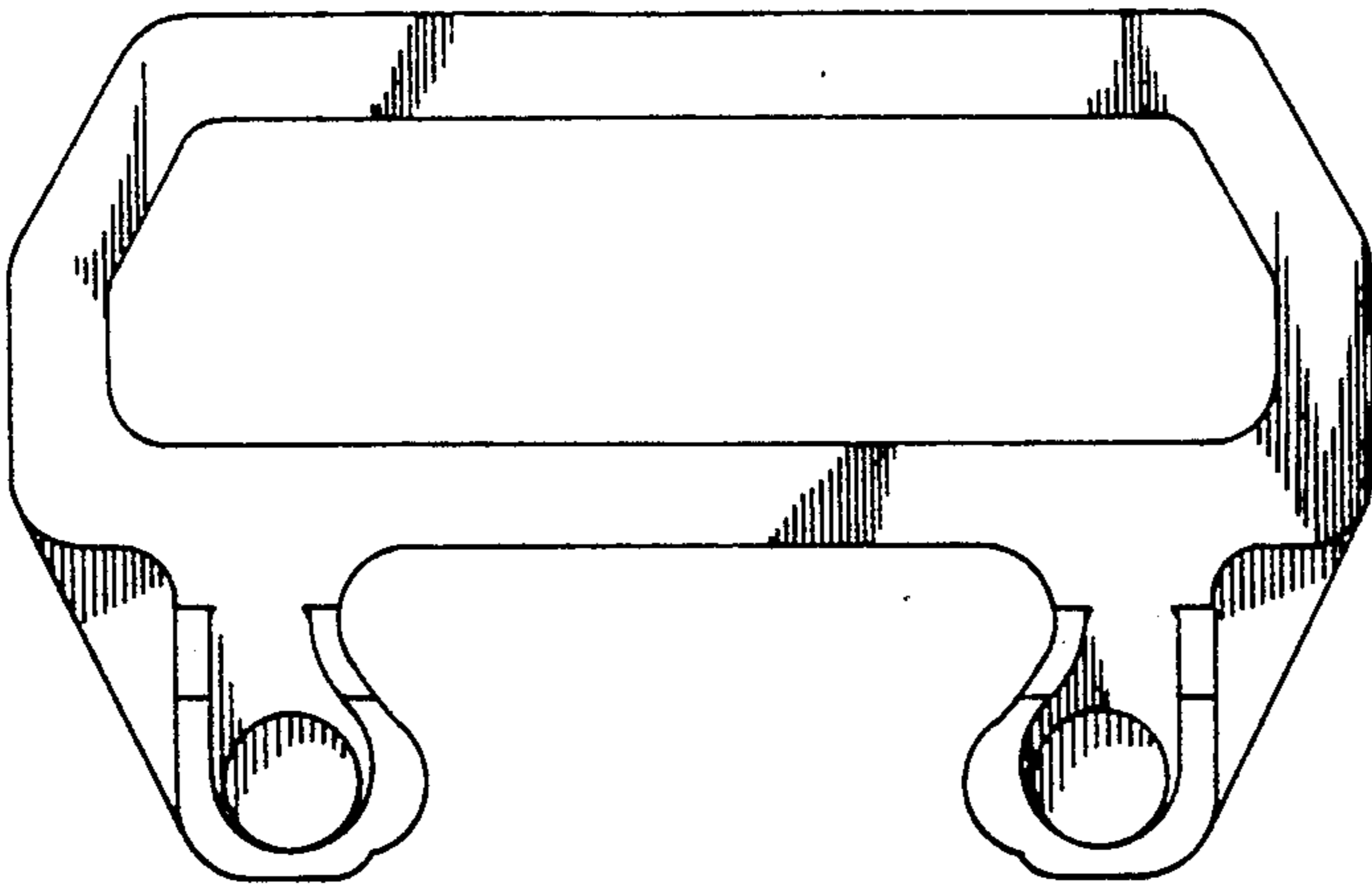




*Fig. 1*

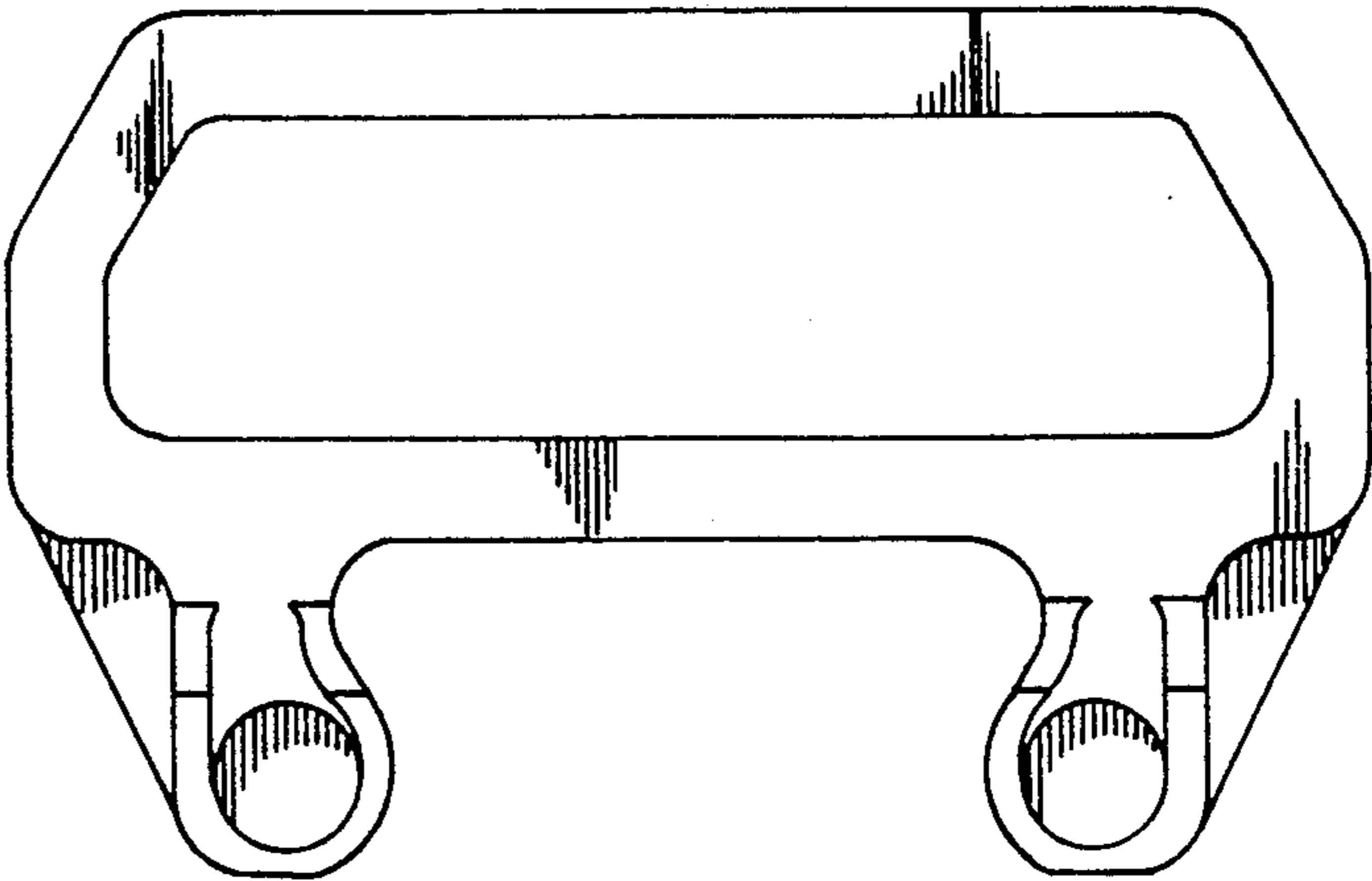


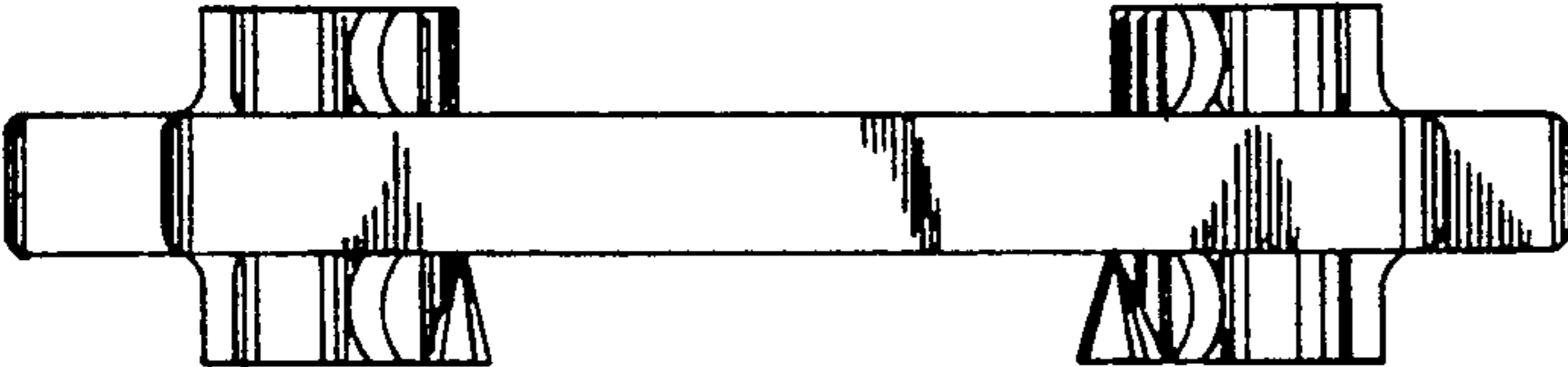
*Fig. 2*



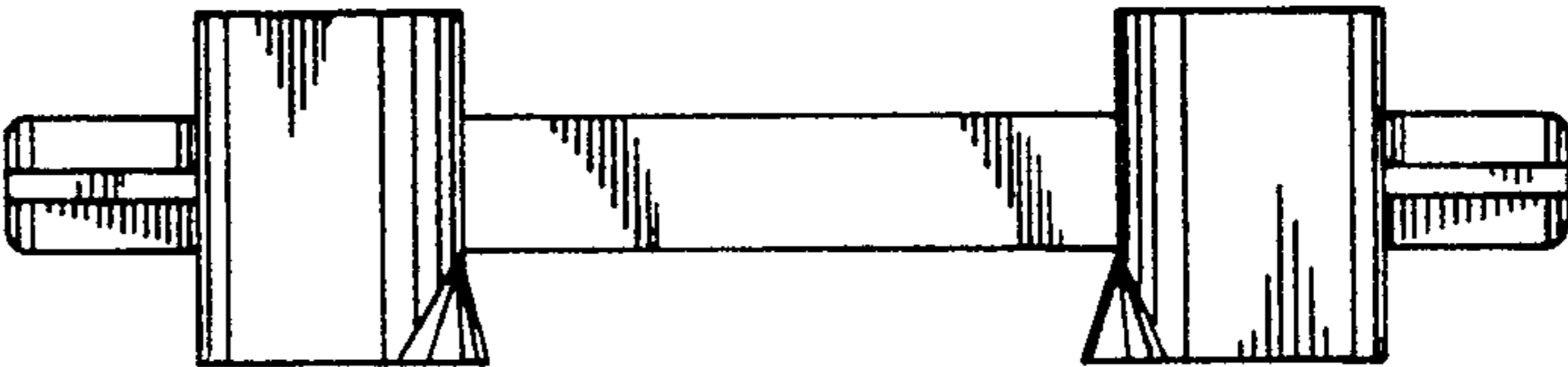
*Fig. 3*

*Fig. 4*

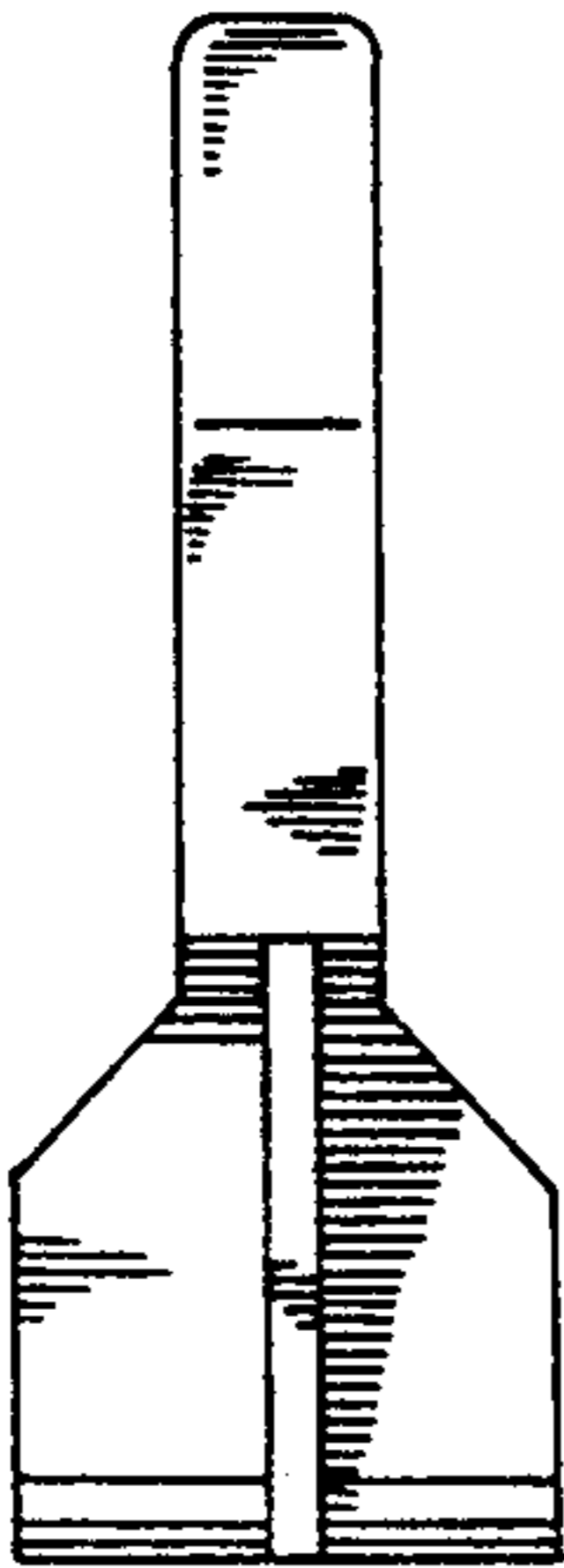




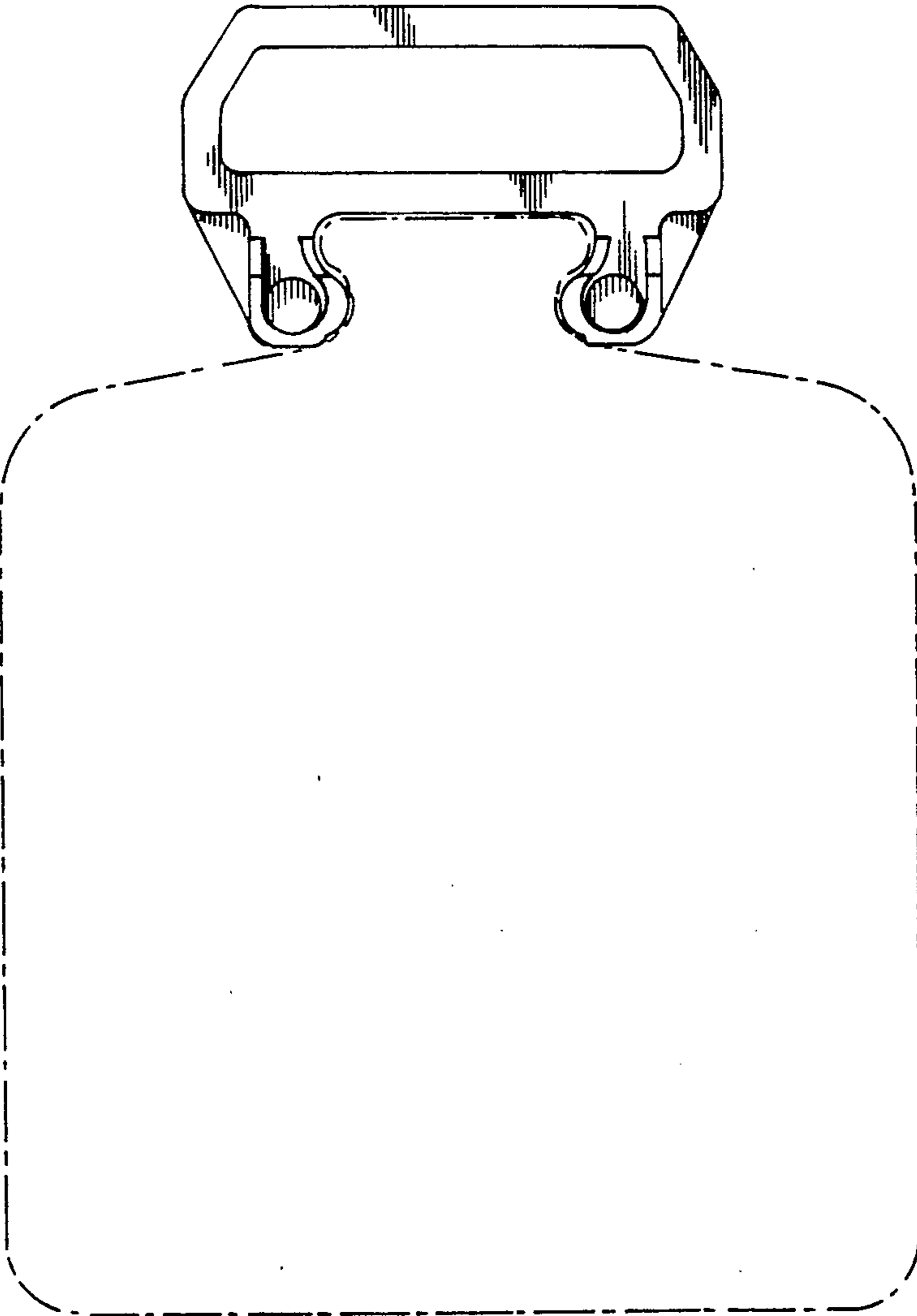
*Fig 5*



*Fig. 6*



*Fig. 7*



*Fig. 8*