



US00D326606S

United States Patent [19] Green

[11] Patent Number: Des. 326,606
[45] Date of Patent: ** Jun. 2, 1992

[54] DUAL COMPARTMENT BOTTLE

[76] Inventor: Richard D. Green, 12979 Culver Blvd., Los Angeles, Calif. 90066

[**] Term: 14 Years

[21] Appl. No.: 594,869

[22] Filed: Oct. 9, 1990

[52] U.S. Cl. D9/341; D9/524

[58] Field of Search D9/341, 347, 403-413, D9/375, 372, 338, 367; 215/6, 10, 1 R, 1 C

[56] References Cited

U.S. PATENT DOCUMENTS

D. 192.980	6/1962	Mangini	D9/341
D. 259.252	5/1981	Acker	D9/338
D. 280.599	9/1985	Green	D9/341
D. 307.111	4/1990	Green	D9/341
2,013.382	9/1935	Garwood	215/6 X
4,196.808	4/1980	Pardo	215/6 X

OTHER PUBLICATIONS

Drug & Cosmetic Industry. May 1985. p. 64. O. Berk Co. Twin-Pack bottles.

Primary Examiner—Bernard Ansher
Assistant Examiner—Lucy Lieberman
Attorney, Agent, or Firm—Kelly Bauersfeld & Lowry

[57] CLAIM

The ornamental design for a dual compartment bottle, as shown.

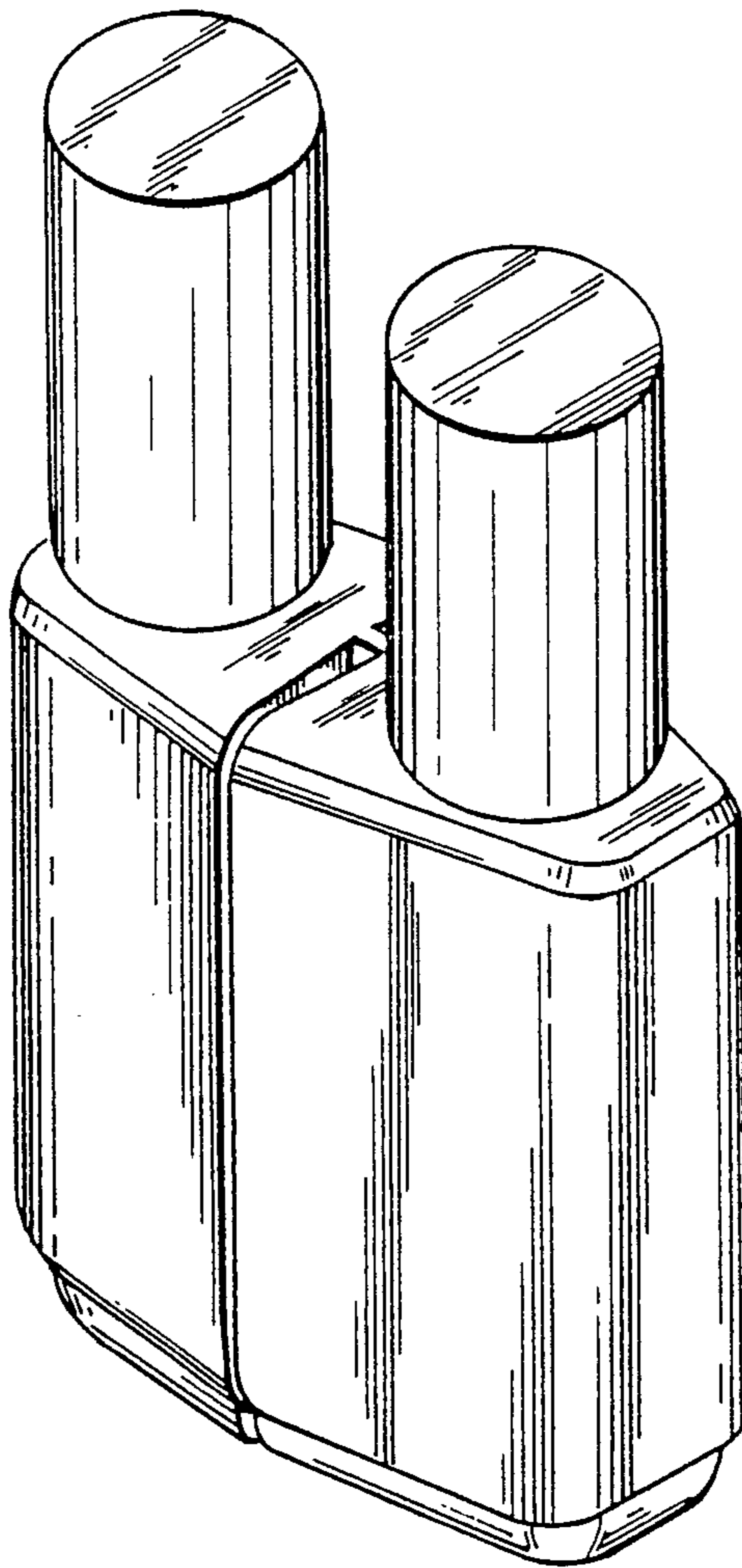
DESCRIPTION

FIG. 1 is a perspective view showing the top, front and right side of a dual compartment bottle embodying my new design;

FIG. 2 is a left side elevational view thereof, with the right side being a mirror image of the left side as shown; FIG. 3 is a top plan view thereof;

FIG. 4 is a front elevational view thereof, with the rear elevation being a mirror image of the front as shown; and,

FIG. 5 is a bottom plan view thereof.



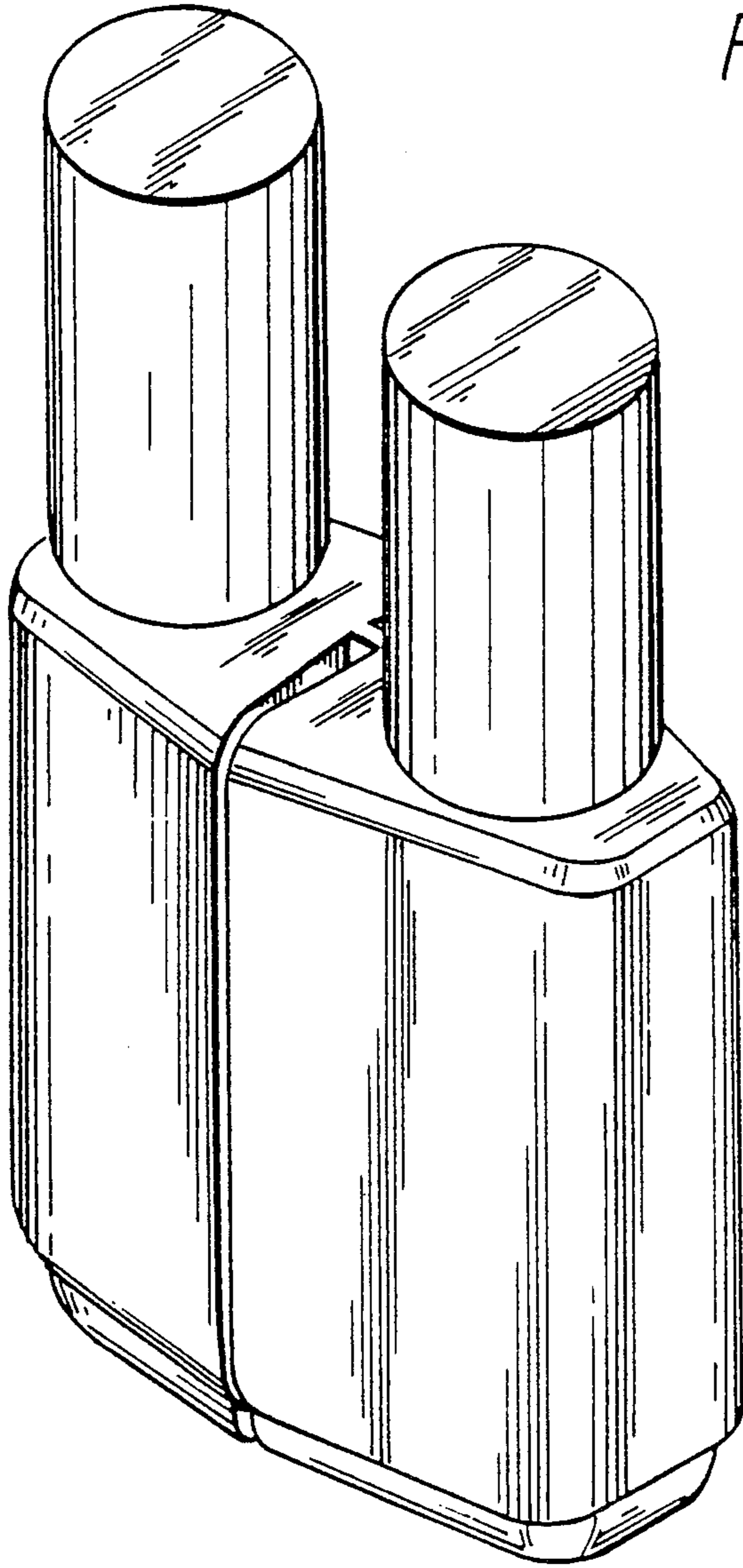


FIG. 1

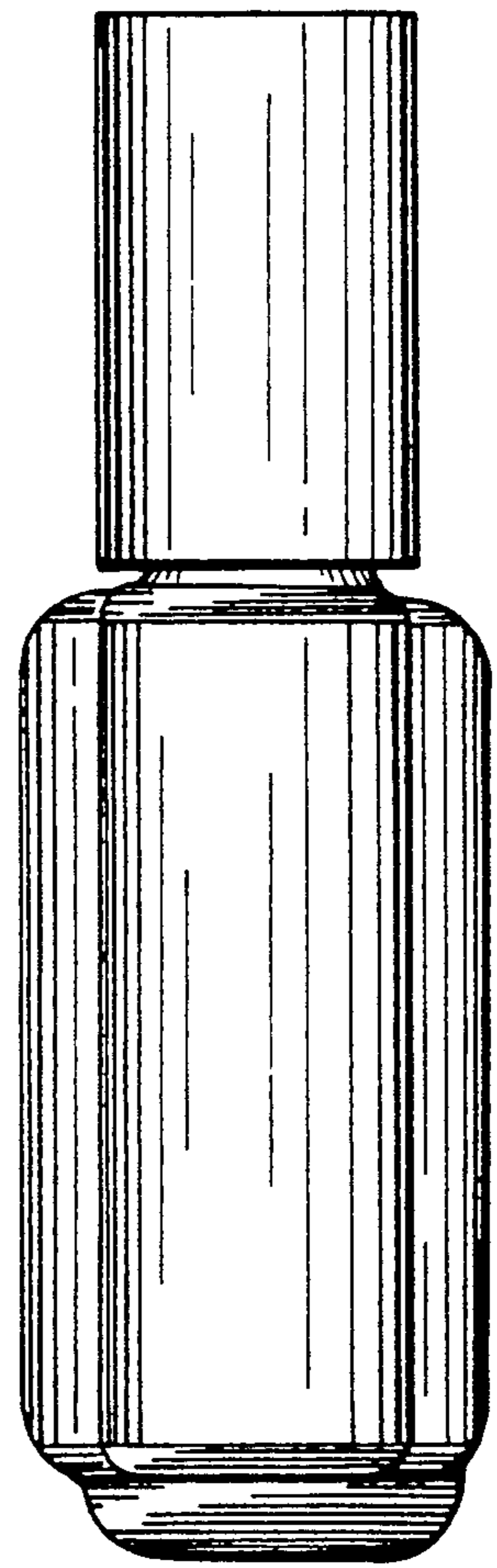


FIG. 2

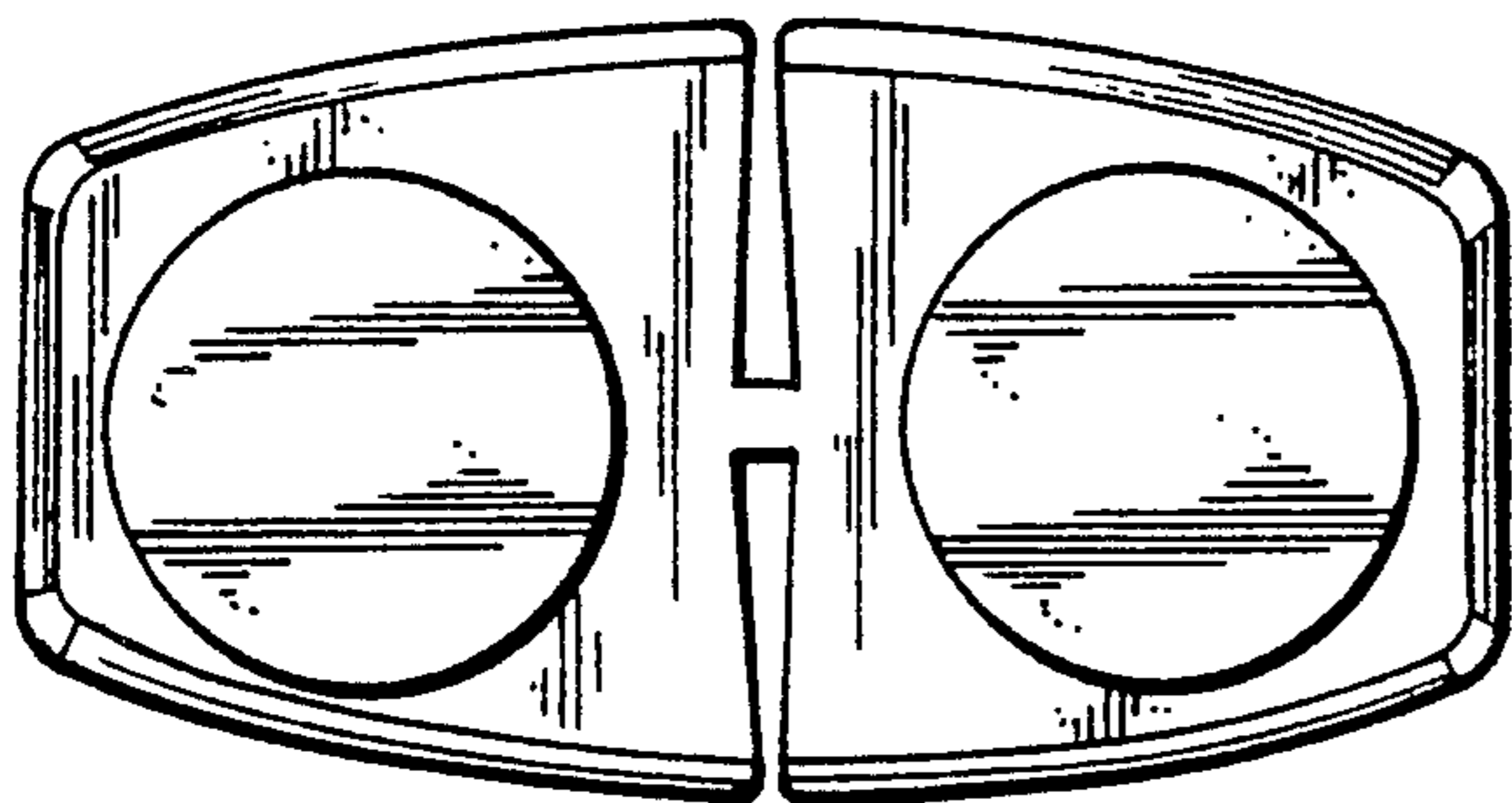


FIG. 3

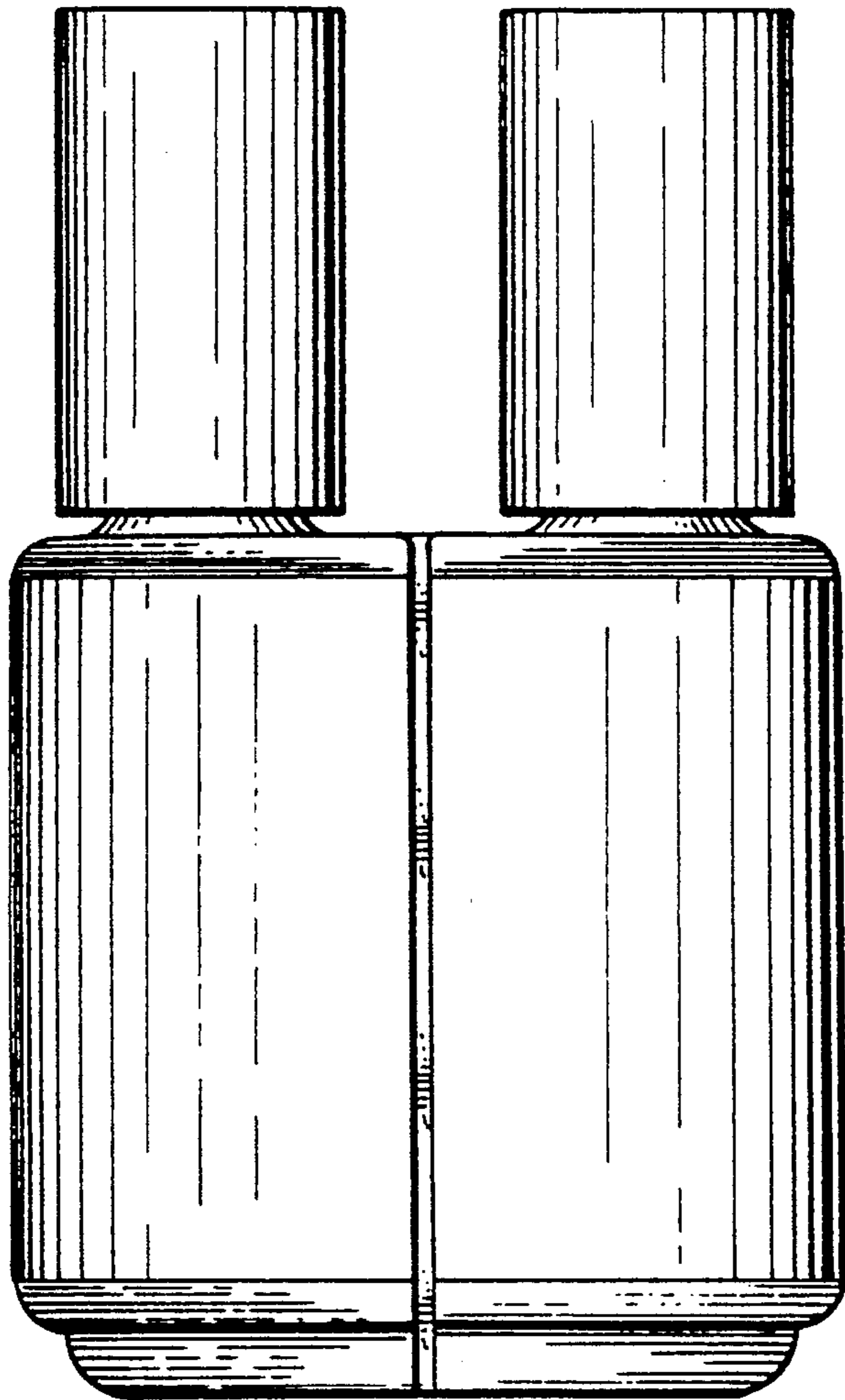


FIG. 4

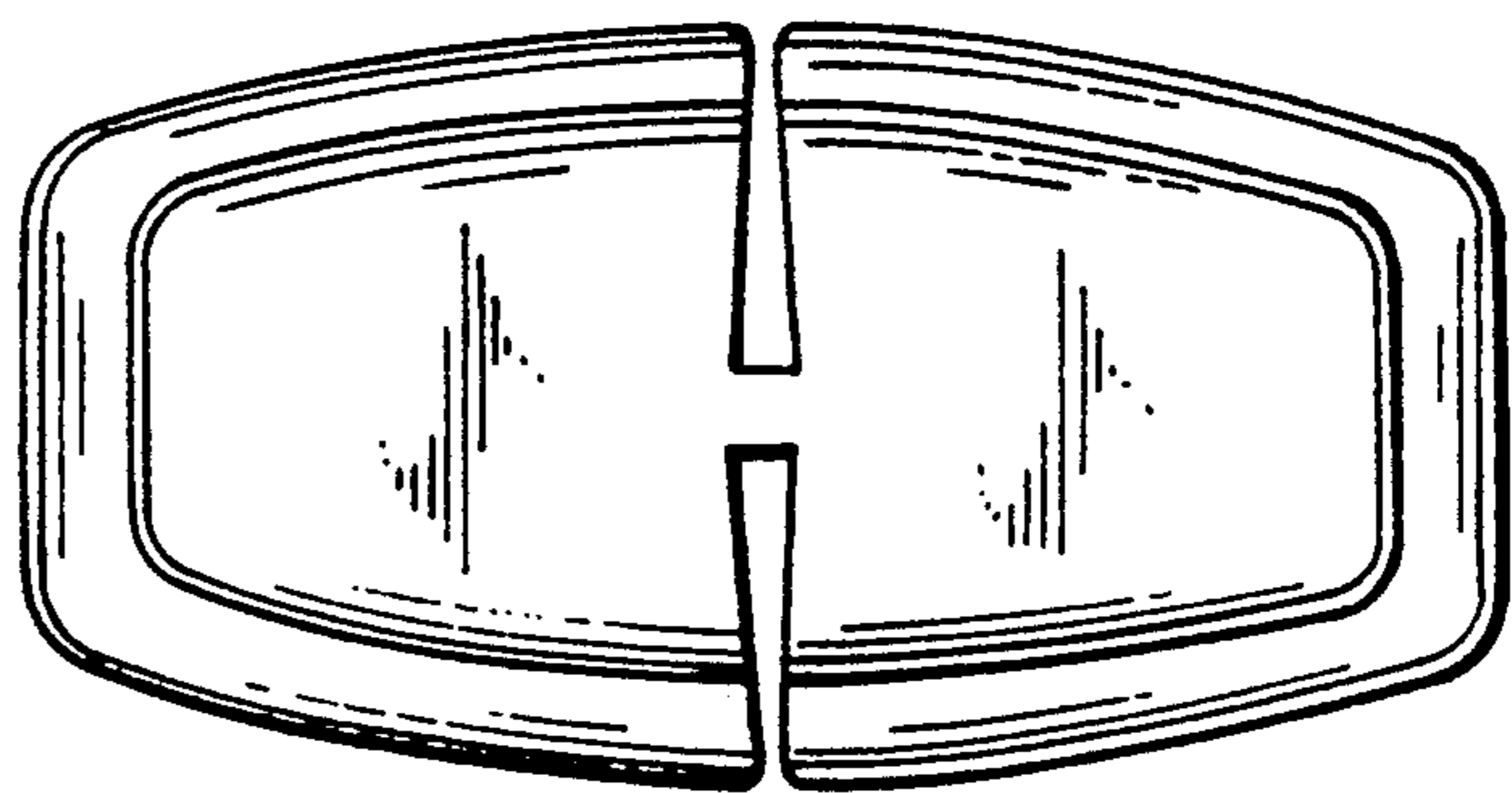


FIG. 5