



US00D326605S

United States Patent [19]

[11] Patent Number: **Des. 326,605**

Nakanura

[45] Date of Patent: **** Jun. 2, 1992**

[54] PUSH FASTENER

[75] Inventor: **Toshinobu Nakanura**, Tokyo, Japan

[73] Assignee: **Shinagawa Shoko Co., Ltd.**, Tokyo, Japan

[**] Term: **14 Years**

[21] Appl. No.: **600,228**

[22] Filed: **Oct. 19, 1990**

[30] Foreign Application Priority Data

Jun. 5, 1990 [JP] Japan 2-18664

[52] U.S. Cl. **D8/382**

[58] Field of Search **D8/354, 356, 382;**
411/500, 501, 502, 508, 904; 24/289, 297

[56] References Cited

U.S. PATENT DOCUMENTS

3,220,078 11/1965 Preziosi 411/508

4,489,465 12/1984 Lemkin 411/508

OTHER PUBLICATIONS

Richco Cat. Ed. 18; ©1986; p. 27; Mounting button MB-156.

Richco Cat. Ed. 18; ©1986; p. 32; Wire saddle WS-A.

Primary Examiner—B. J. Bullock

Attorney, Agent, or Firm—Fidelman & Wolffe

[57] CLAIM

The ornamental design for a push fastener, as shown and described.

DESCRIPTION

FIG. 1 is a perspective view of a push fastener showing my new design;

FIG. 2 is a front elevational view thereof, the rear being identical;

FIG. 3 is a right side elevational view thereof, the left side being identical;

FIG. 4 is a top plan view thereof; and,

FIG. 5 is a bottom plan view thereof.

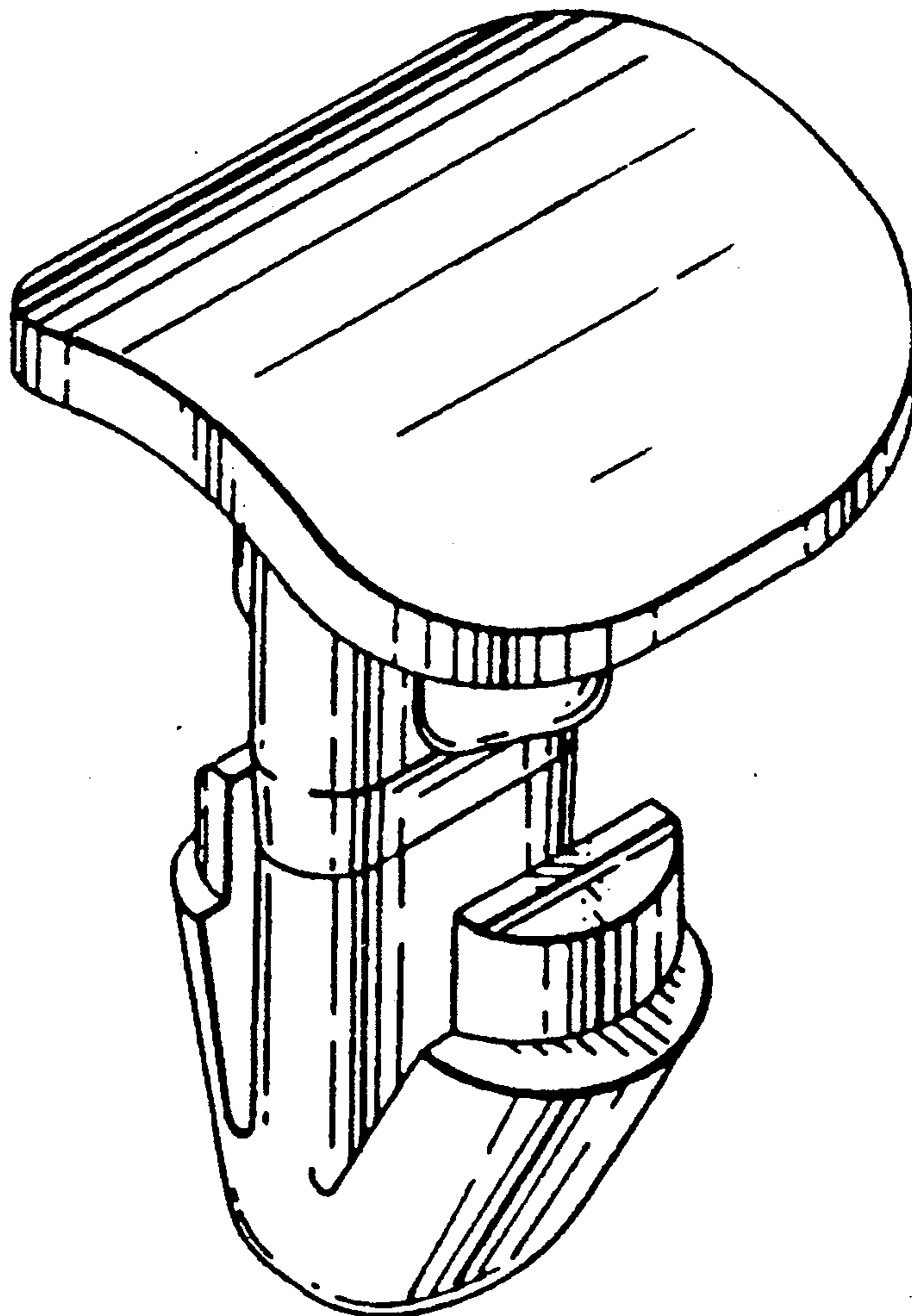


FIG. 1

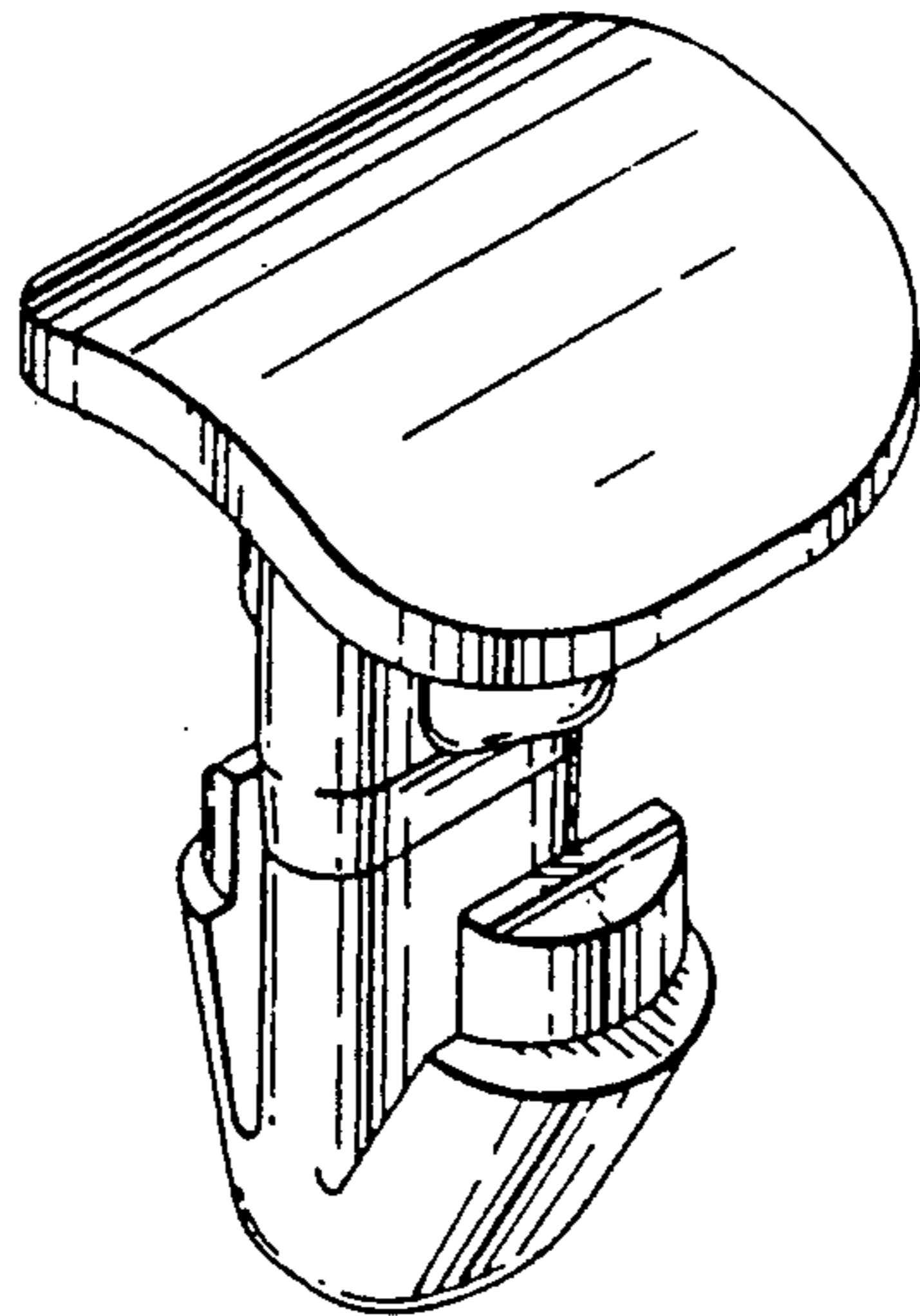


FIG. 2

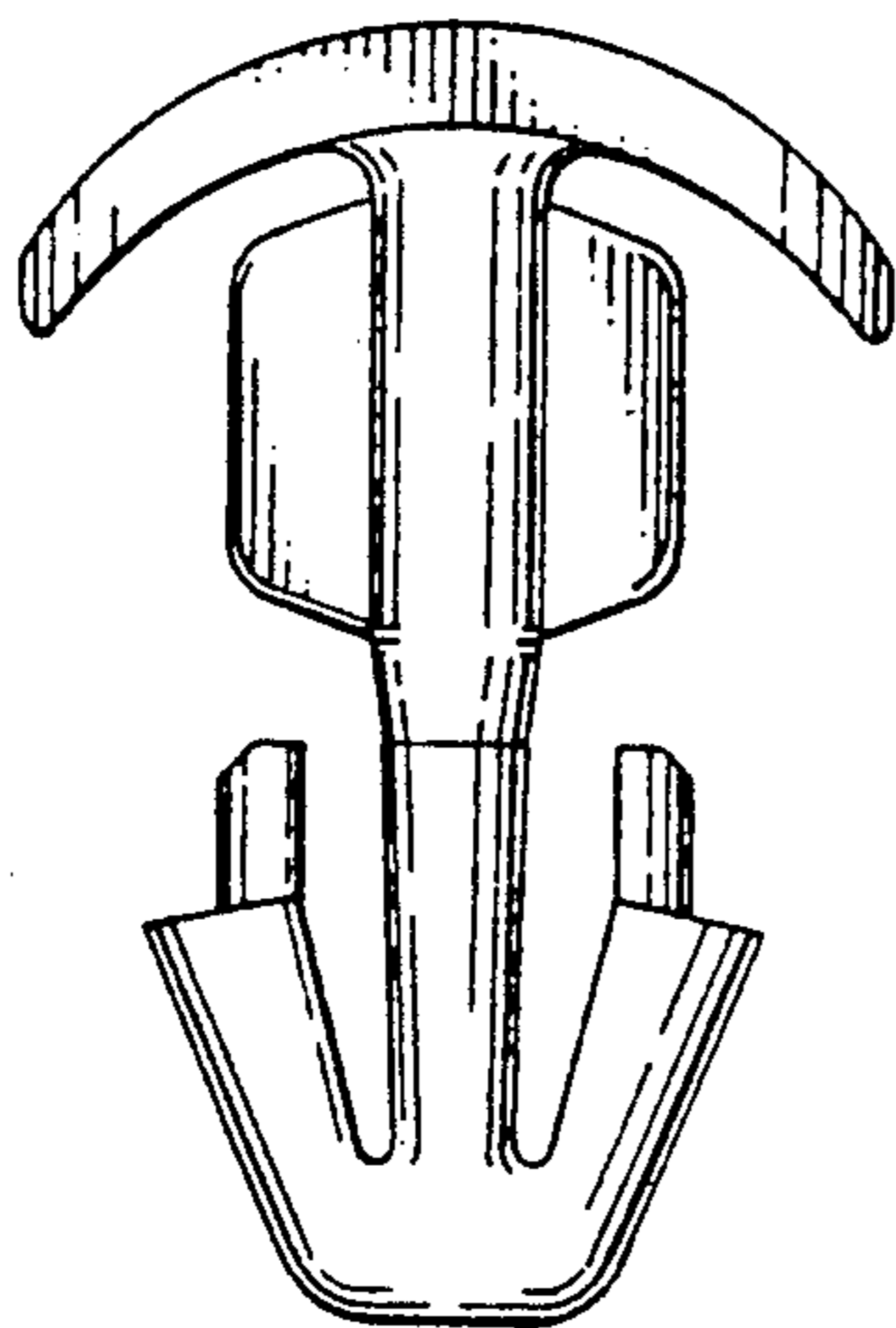


FIG. 3

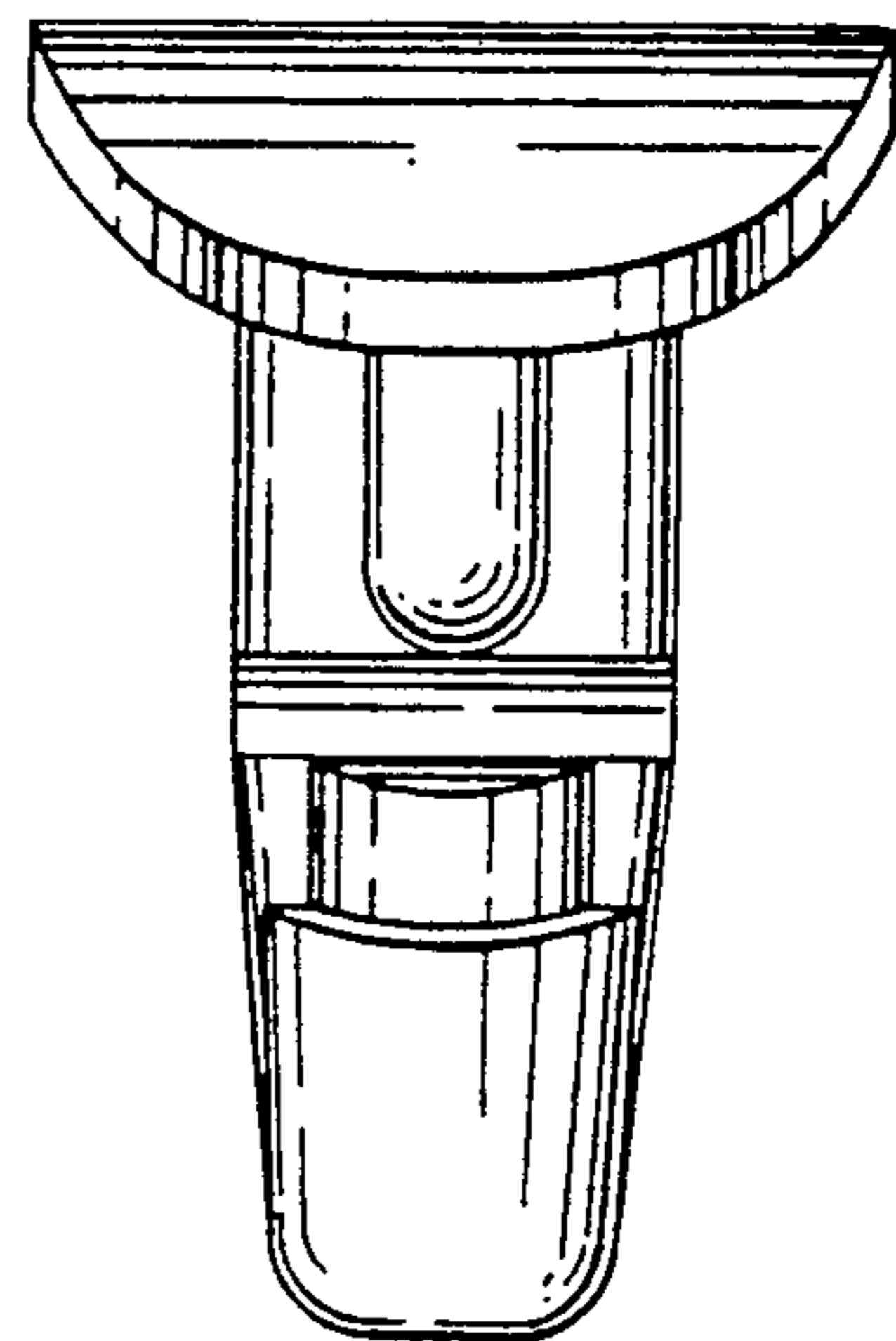


FIG. 4

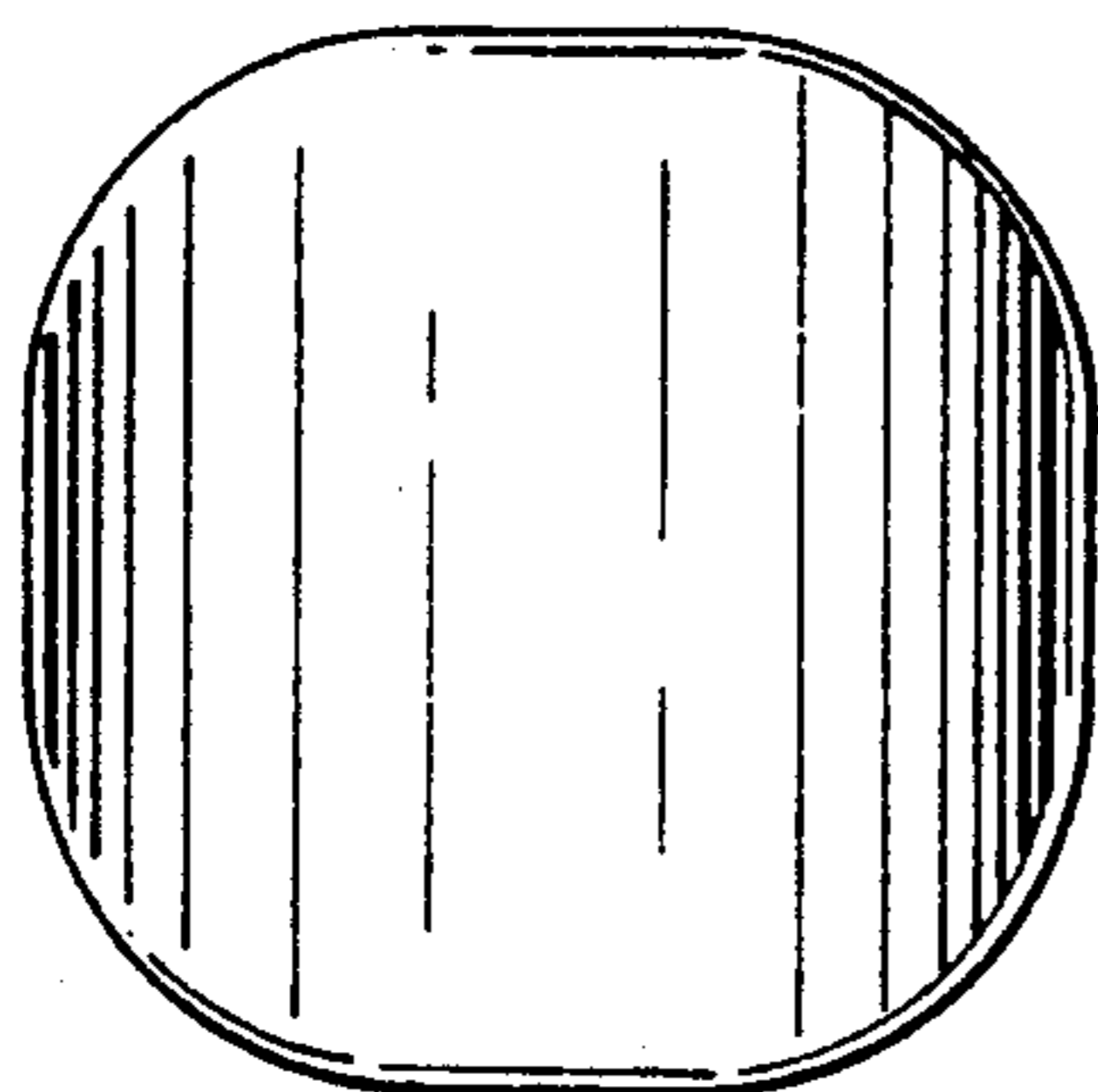


FIG. 5

