



US00D326604S

# United States Patent [19]

[11] Patent Number: Des. 326,604

Stubbersfield et al.

[45] Date of Patent: \*\* Jun. 2, 1992

[54] BRACKET FOR MOUNTING A CROSSARM ON A TELEPHONE POLE

[75] Inventors: Edgar M. Stubbersfield; Alan R. Muller, both of Gatton, Australia

[73] Assignee: Vanbrace Pty Ltd., Queensland, Australia

[\*\*] Term: 14 Years

[21] Appl. No.: 484,628

[22] Filed: Feb. 26, 1990

[30] Foreign Application Priority Data

Sep. 25, 1989 [AU] Australia ..... 3117/89

[52] U.S. Cl. .... D8/373

[58] Field of Search ..... D8/373, 363, 364, 380, D8/356; 403/398, 399, 400

[56] References Cited

### U.S. PATENT DOCUMENTS

D. 311.127	10/1990	Strodtman	.....	D8/380
D. 316.031	4/1991	Goodman et al.	.....	D8/363
505.810	10/1893	Brower	.....	403/399
986.409	3/1911	Scotellaro	.....	403/399
1.895.766	1/1933	Murphy	.....	403/399
2.044.700	6/1936	Jones	.....	403/399
2.121.432	6/1938	Jacobson	.....	403/398
2.823.002	2/1958	Savitz	.....	D8/380 X

2,884,670	5/1959	Garrison et al.	.....	403/399 X
3,042,353	7/1962	O'Mara	.....	D8/364 X
3,568,968	3/1971	Taylor	.....	D8/364 X
4,070,013	1/1978	Sickler	.....	403/399 X
4,393,549	7/1983	Leonardo	.....	403/399 X
4,440,519	4/1984	Pennel et al.	.....	403/399 X
4,800,693	1/1989	Murphy	.....	403/400 X
4,900,184	2/1990	Cleveland	.....	403/399 X
4,906,127	3/1990	Nixon et al.	.....	403/400 X

### FOREIGN PATENT DOCUMENTS

426015	4/1916	France	.....	403/399
--------	--------	--------	-------	---------

Primary Examiner—Horace B. Fay, Jr.

Attorney, Agent, or Firm—Kimmel, Crowell & Weaver

### [57] CLAIM

The ornamental design for a bracket for mounting a crossarm on a telephone pole, as shown and described.

### DESCRIPTION

FIG. 1 is a side elevational view of the bracket for mounting a crossarm on a telephone pole for poles showing the new design;

FIG. 2 is an opposite side elevational view thereof;

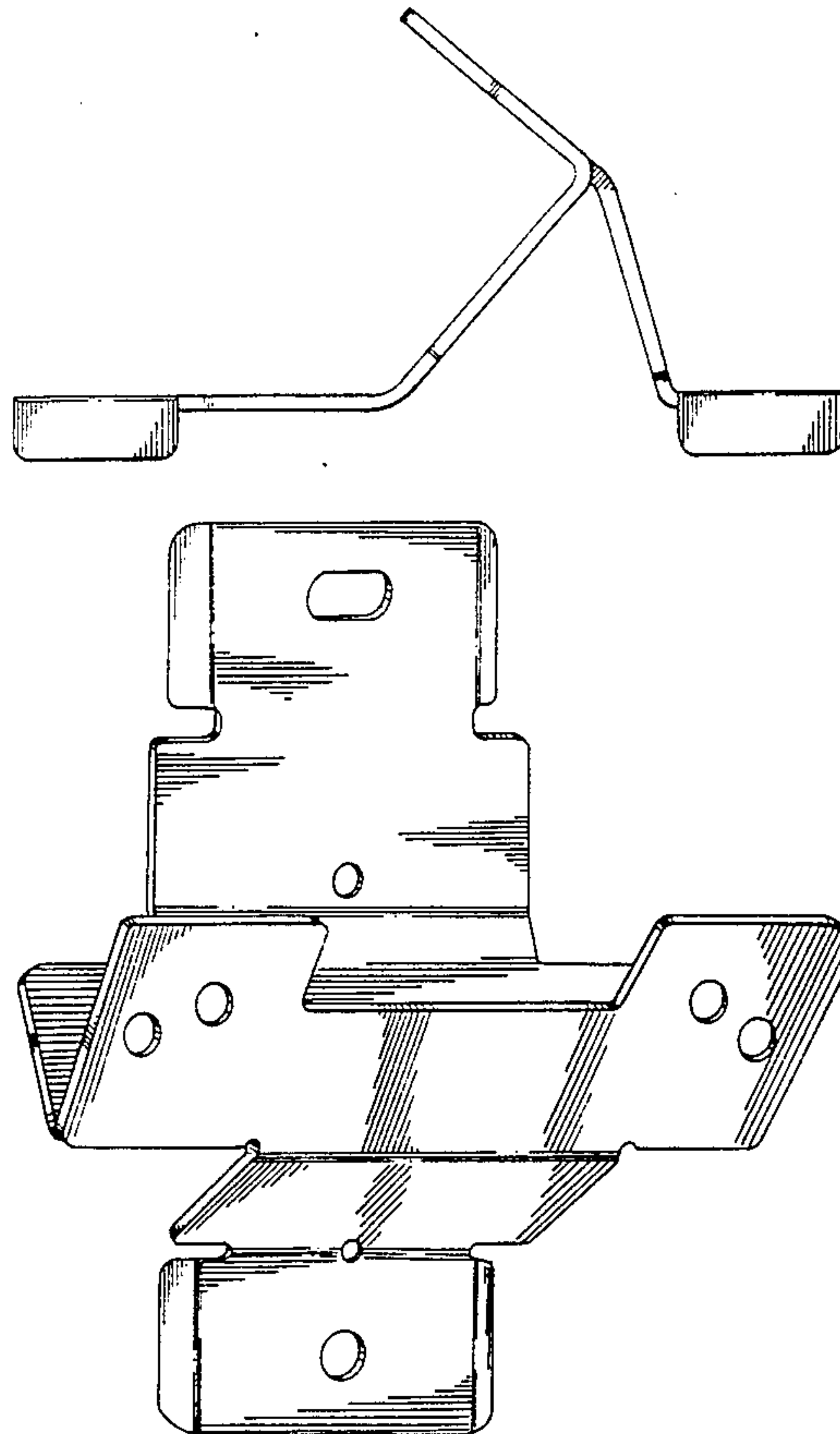
FIG. 3 is an end elevational view thereof;

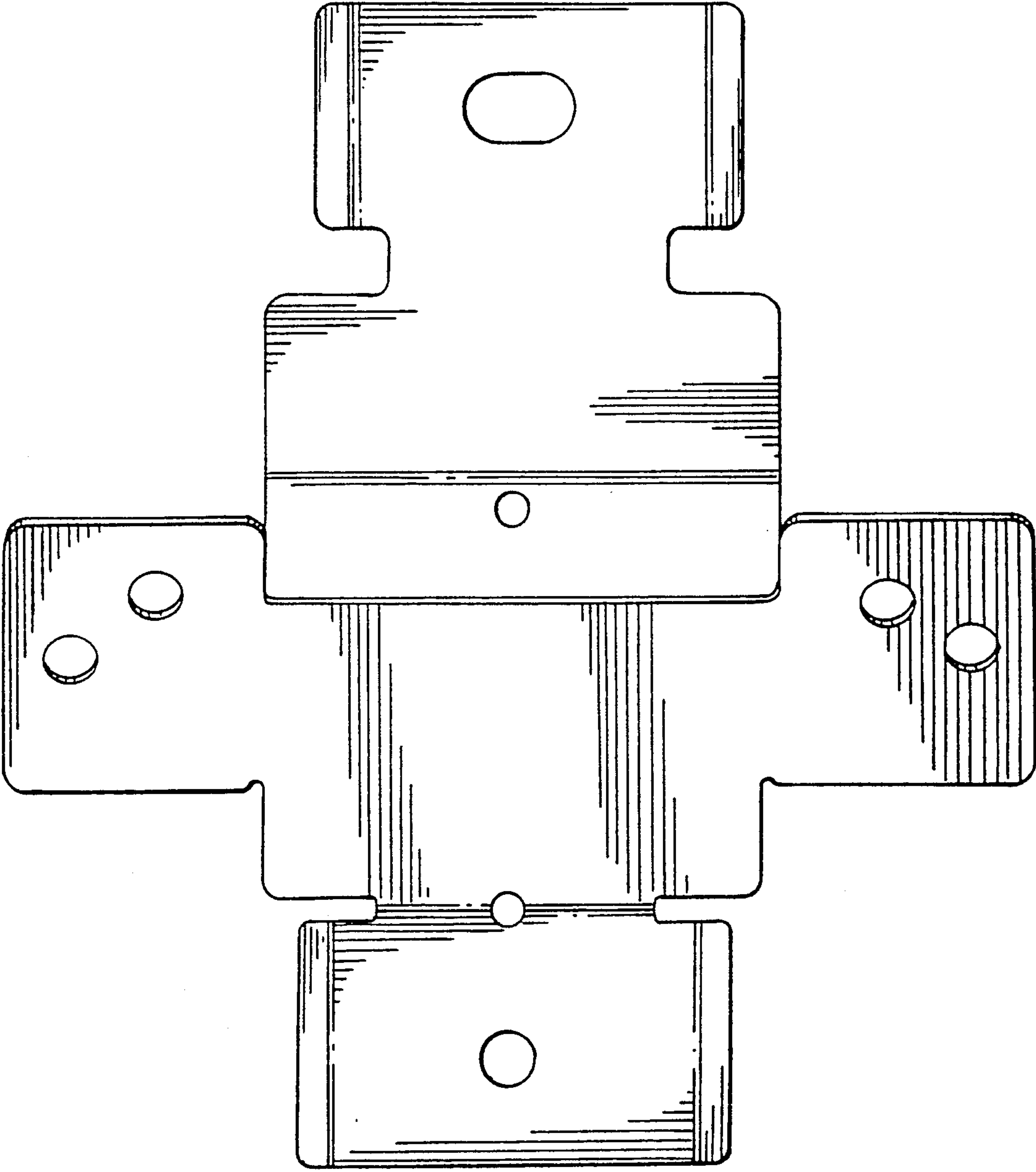
FIG. 4 is an opposite end elevational view thereof;

FIG. 5 is a top plan view thereof;

FIG. 6 is a bottom plan view thereof; and,

FIG. 7 is a top perspective view thereof.





*FIG. 1.*

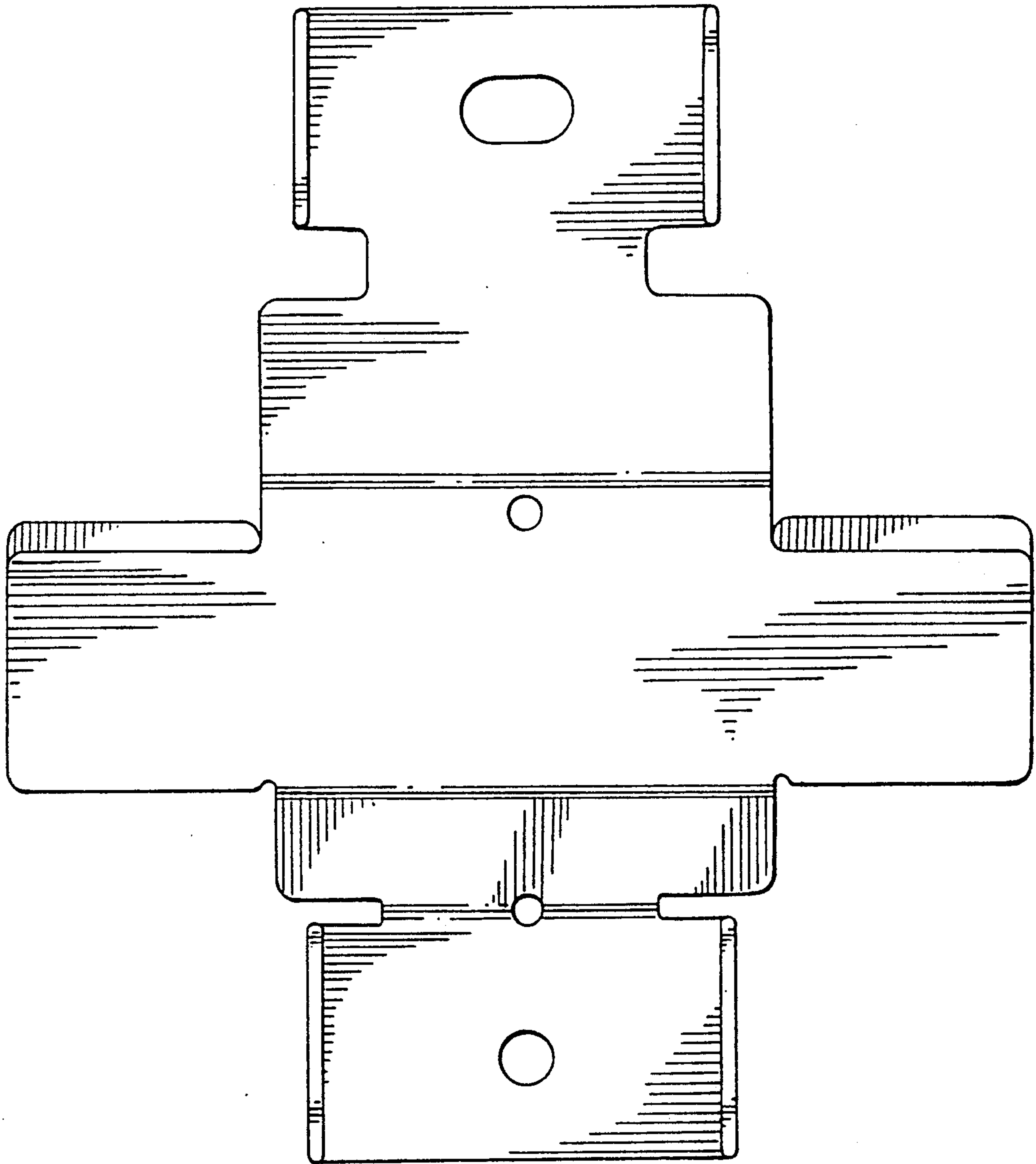


FIG. 2.

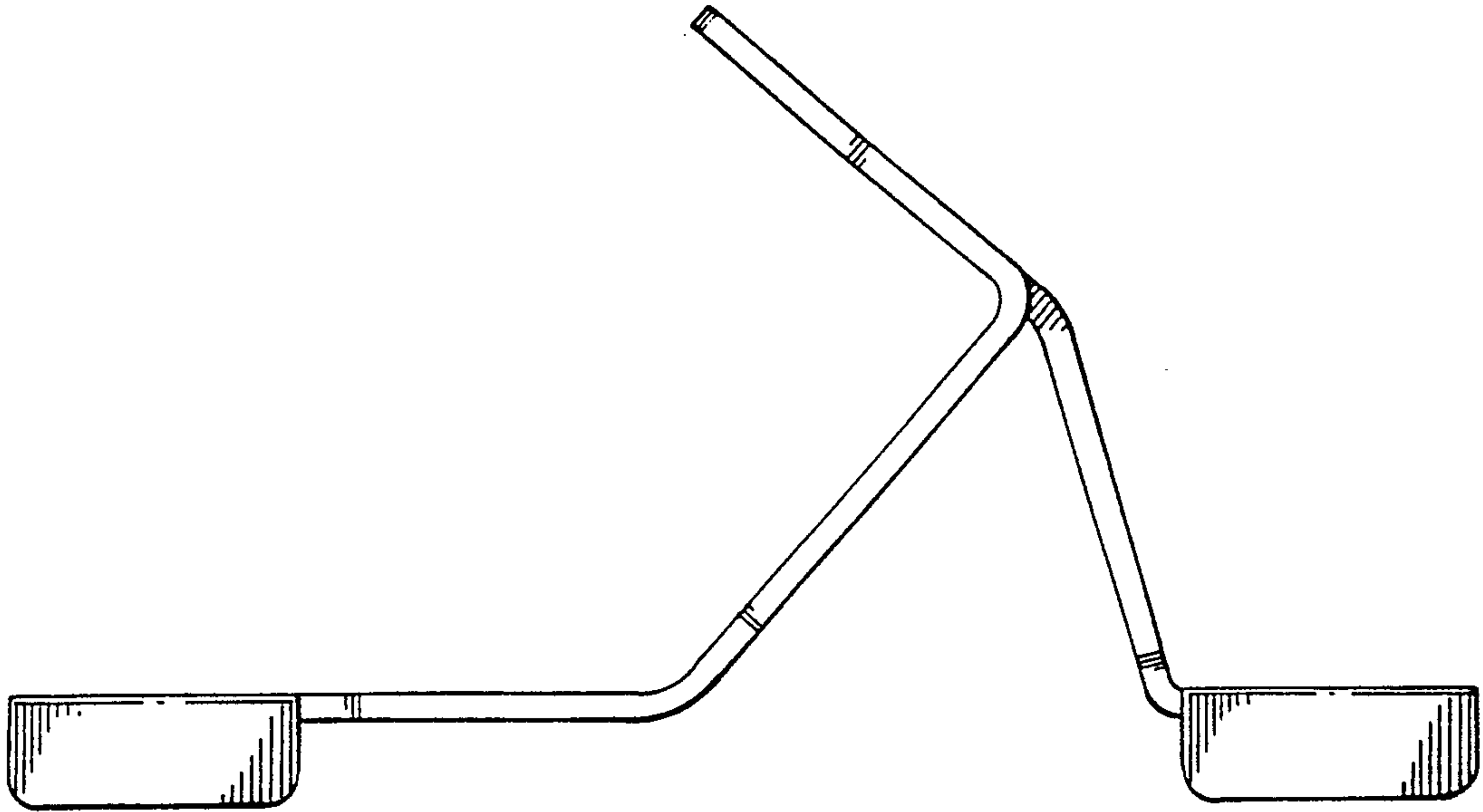


FIG. 3.

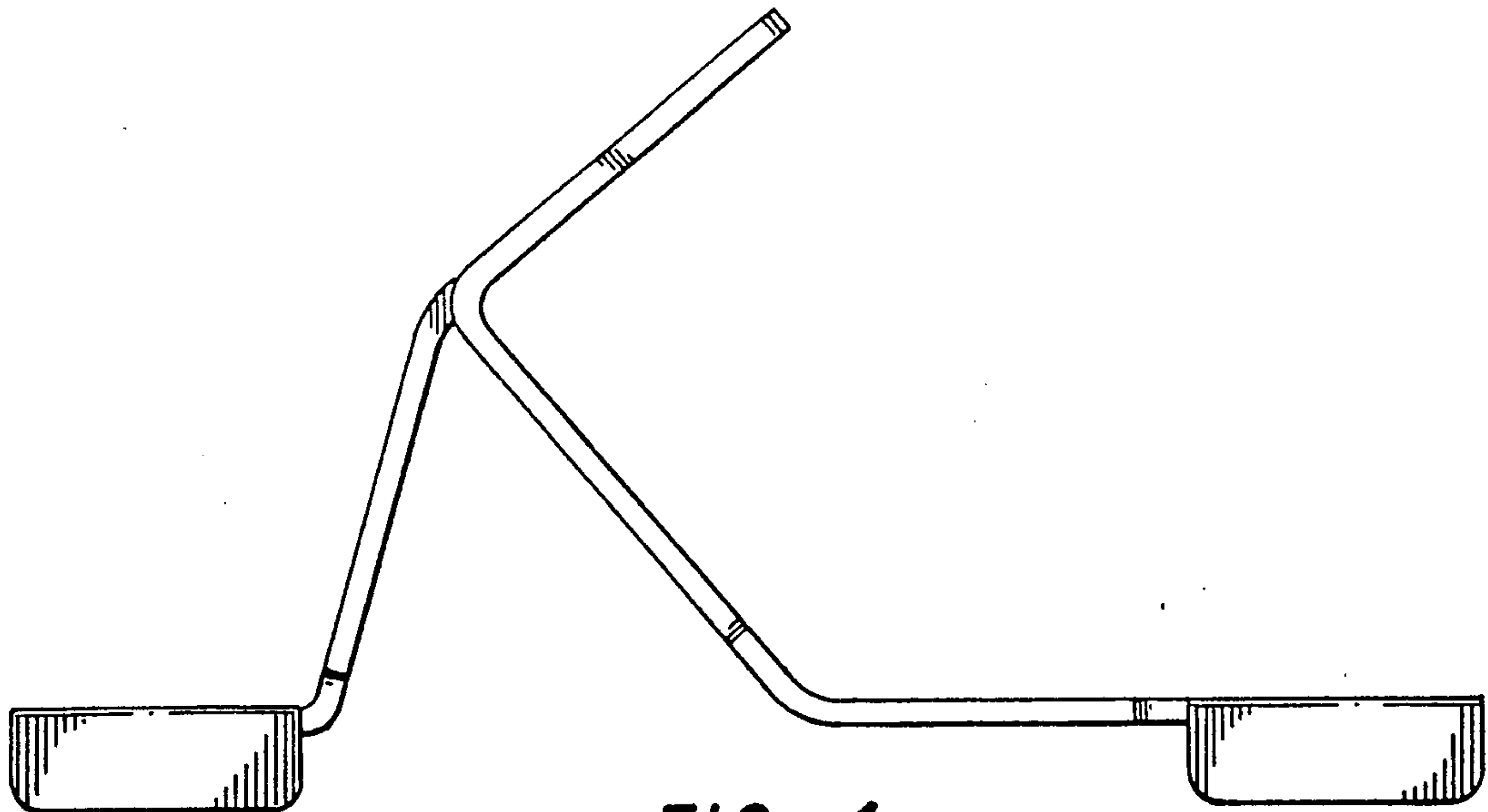
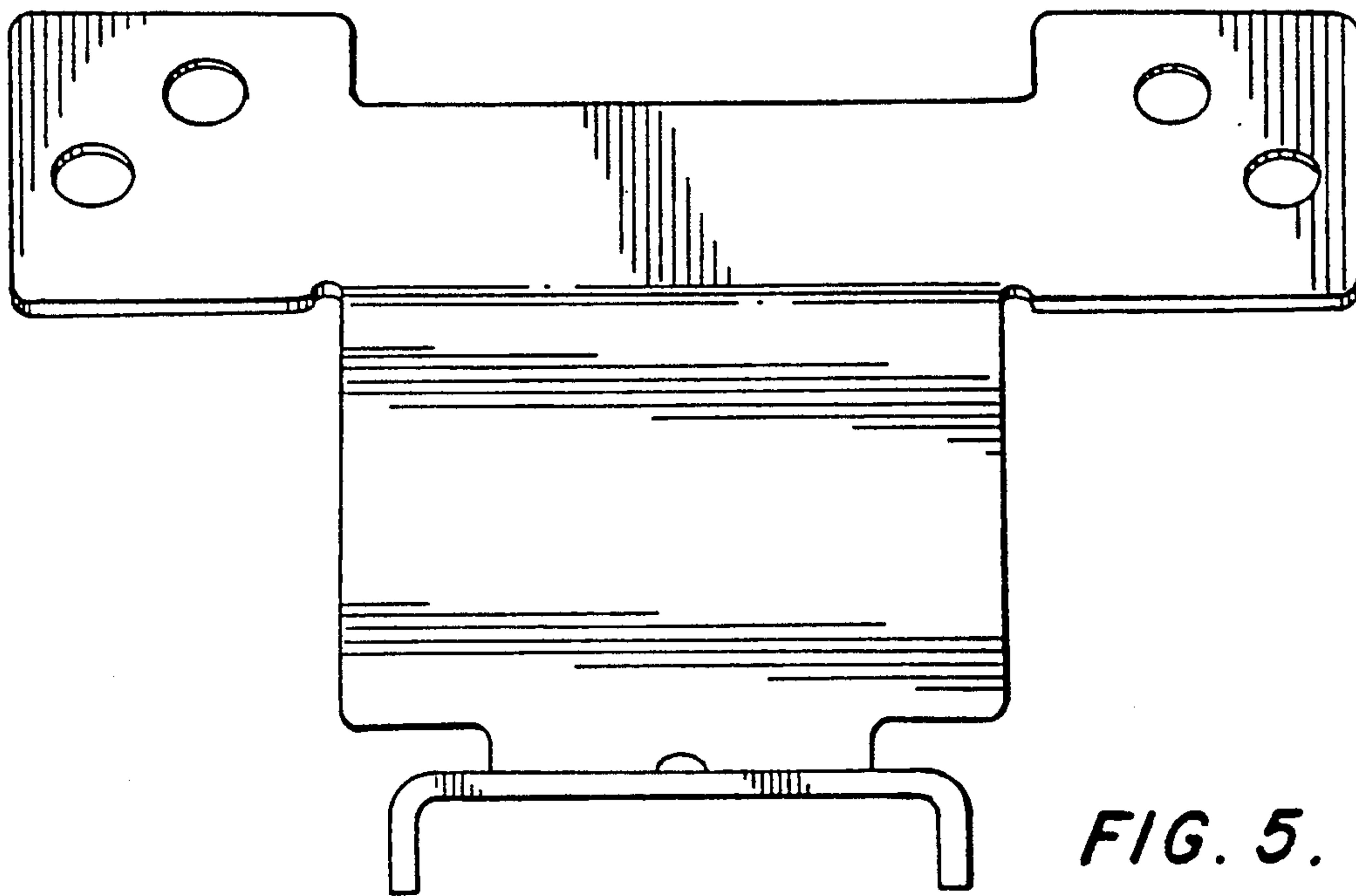
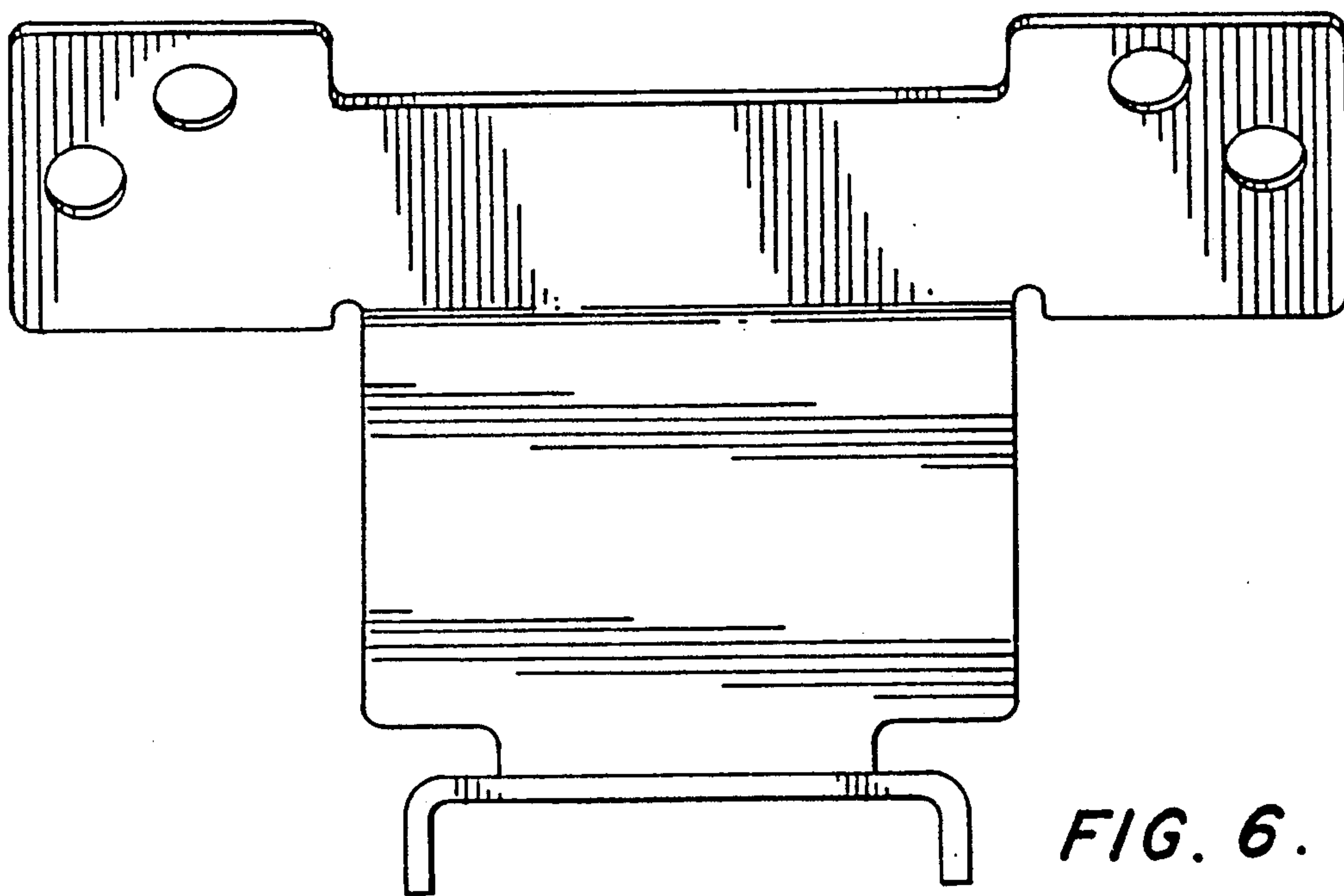


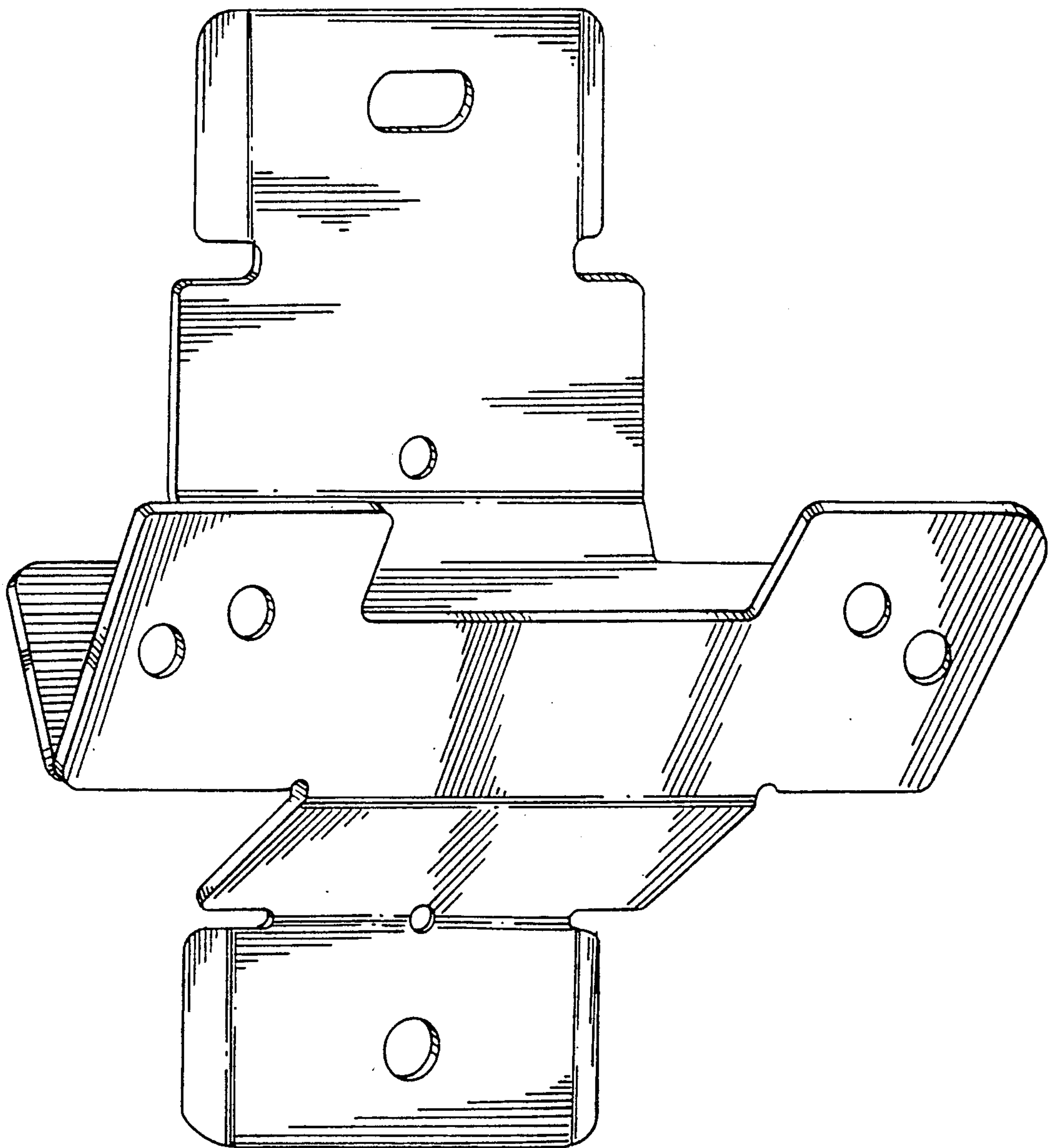
FIG. 4.



*FIG. 5.*



*FIG. 6.*



**FIG. 7.**