



US00D326603S

United States Patent [19]

[11] Patent Number: **Des. 326,603**

Rogers

[45] Date of Patent: **** Jun. 2, 1992**

[54] ROD SUPPORT AND ROBE HOOK

[76] Inventor: **David Rogers**, 5 Prince Way, Sharon, Mass. 02067

[**] Term: **14 Years**

[21] Appl. No.: **734,807**

[22] Filed: **Jul. 23, 1991**

[52] U.S. Cl. **D8/373; D8/380; D8/367**

[58] Field of Search **D8/380, 372, 373; 248/264, 251; D6/320, 323, 325, 328, 327**

[56] References Cited

U.S. PATENT DOCUMENTS

D. 26,770	3/1897	Webber	D8/380
D. 159,261	7/1950	Frechten	D6/323
D. 189,918	3/1961	Norderson	D8/372
D. 312,959	12/1990	Hamann	D8/373
D. 319,573	9/1991	Rogers	D8/380
805,570	11/1905	Maldamer	248/264
861,732	7/1907	Kellum	248/264
898,138	9/1908	Roberts	248/264
2,528,358	10/1950	Gross	248/251
2,765,998	10/1956	Engert	D6/323
4,660,715	4/1987	Anastos	D6/323

FOREIGN PATENT DOCUMENTS

553356 12/1956 Italy 248/251

Primary Examiner—Horace B. Fay, Jr.

Attorney, Agent, or Firm—Wolf, Greenfield & Sacks

[57] CLAIM

The ornamental design for a rod support and robe hook, as shown and described.

DESCRIPTION

FIG. 1 is a left side, top and front perspective view of a rod support and robe hook showing my new design; FIG. 2 is a front elevational view thereof; FIG. 3 is a left side elevational view thereof, the opposite side being a mirror image; FIG. 4 is a rear elevational view thereof; FIG. 5 is a top plan view thereof; FIG. 6 is a bottom plan view thereof; FIG. 7 is a left side, top and front perspective view of a rod support and robe hook showing an alternative embodiment; FIG. 8 is a front elevation view of the alternative embodiment; FIG. 9 is a left side elevational view of the alternative embodiment, the opposite side being a mirror image; and, FIG. 10 is a bottom plan view of the alternative embodiment, the rear elevation and top plan view being identical to FIG. 4 and FIG. 5, respectively.

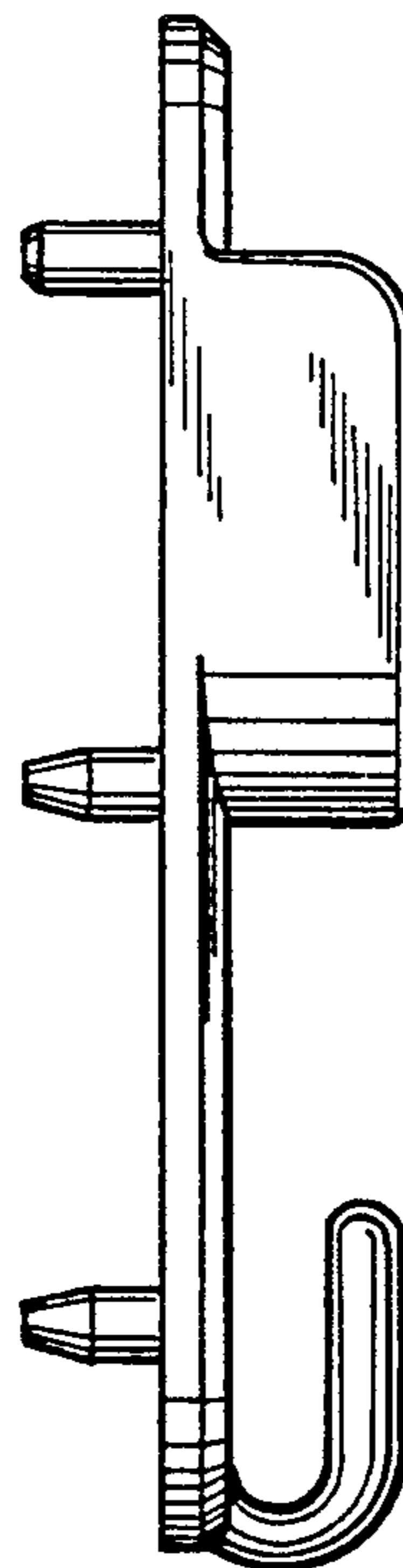
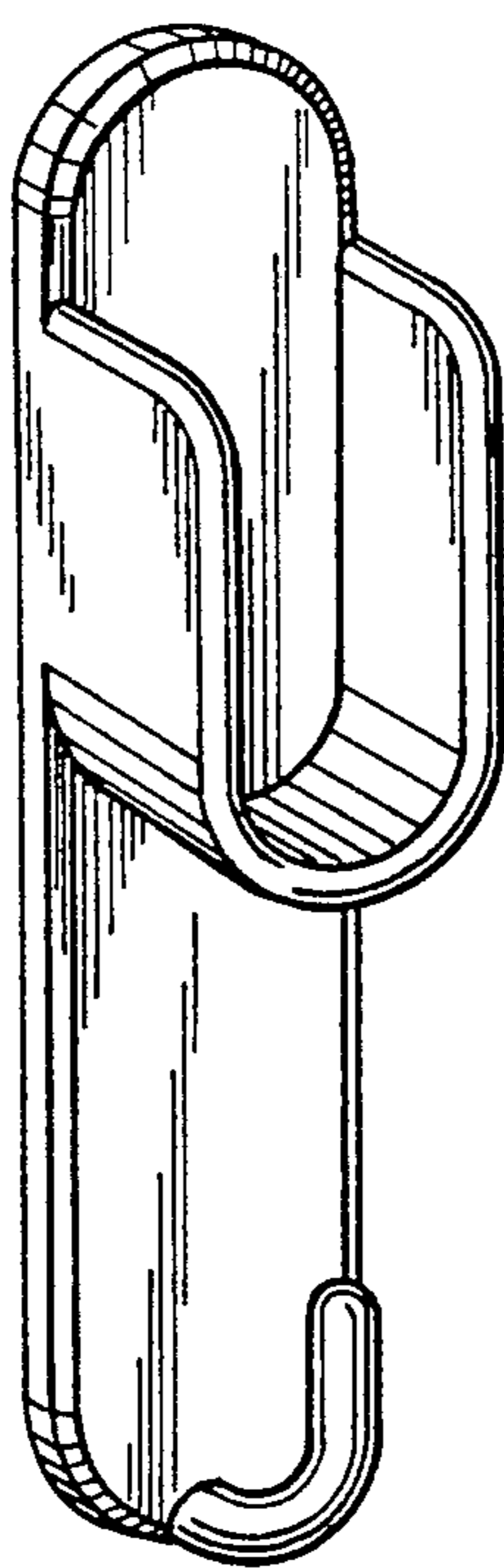


Fig. 1

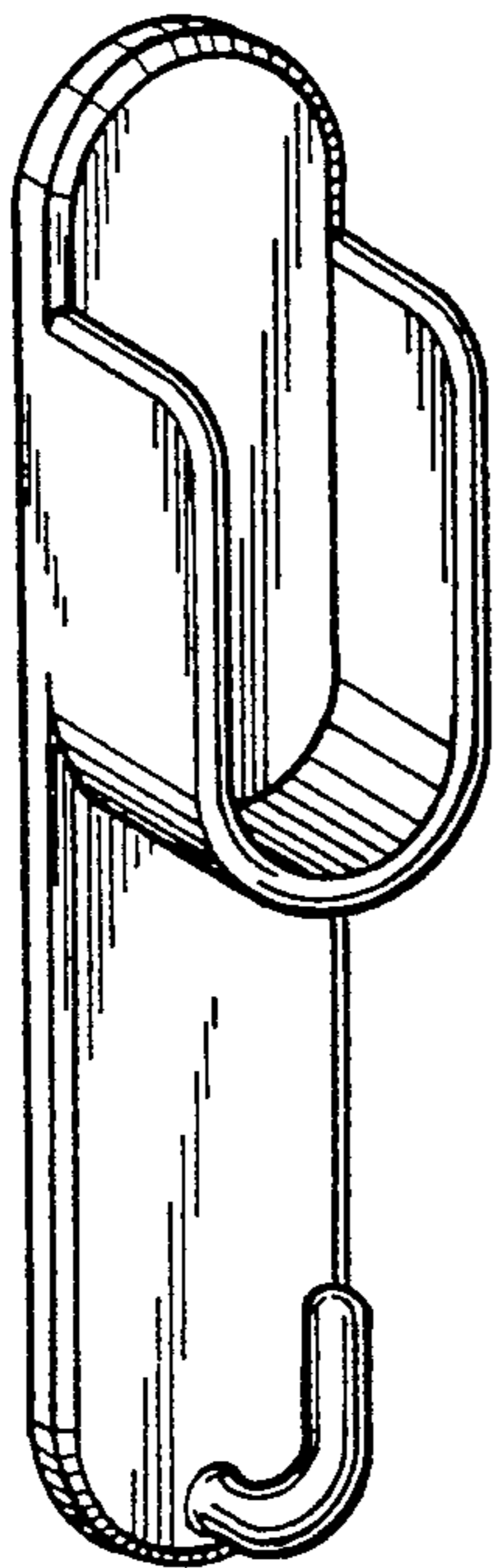


Fig. 2

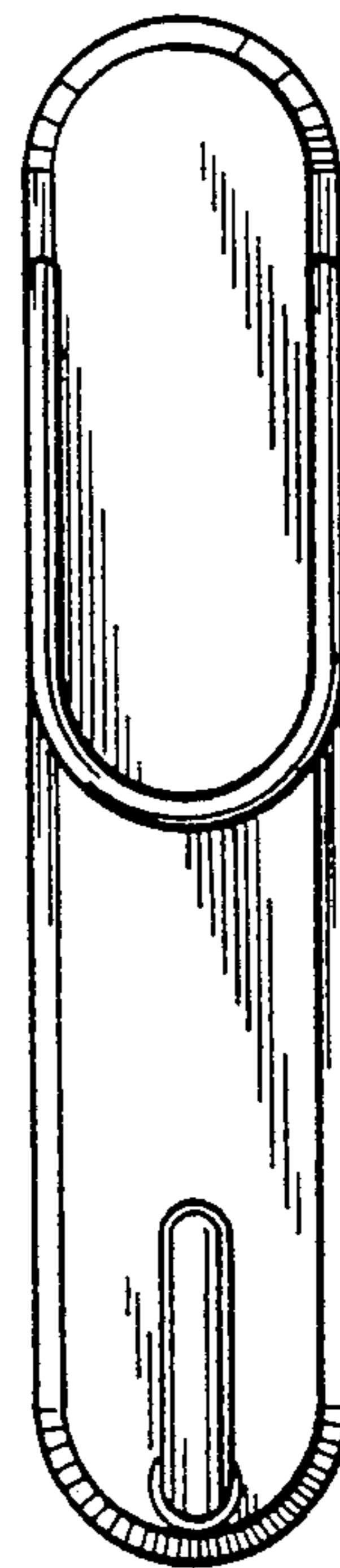


Fig. 3

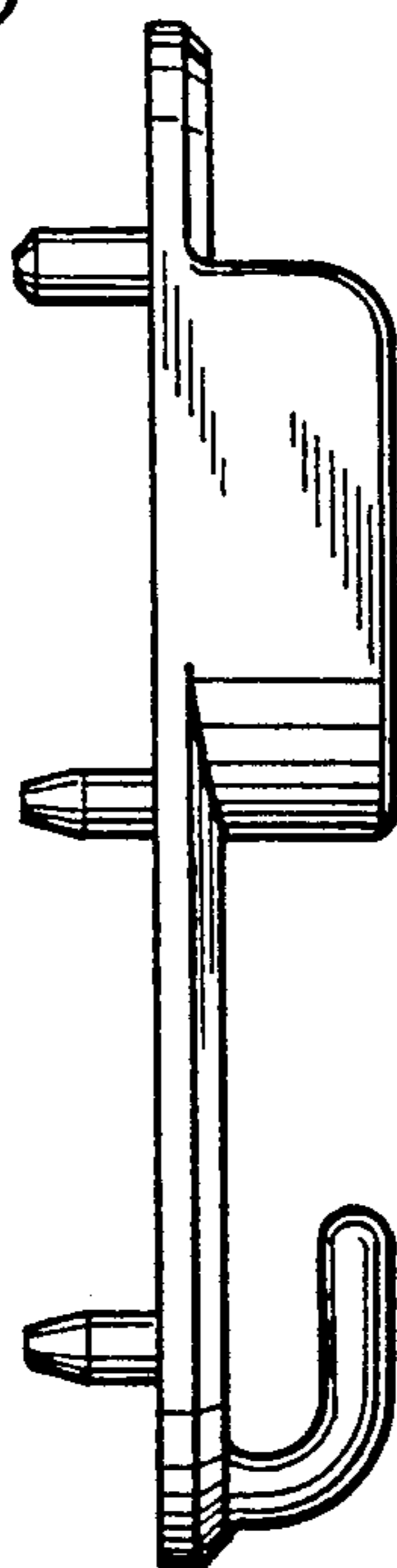


Fig. 4

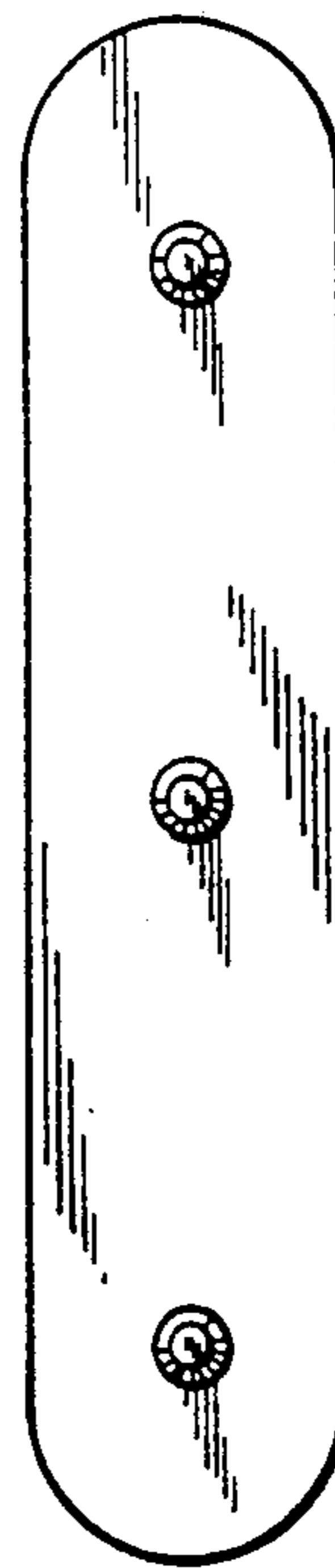


Fig. 5

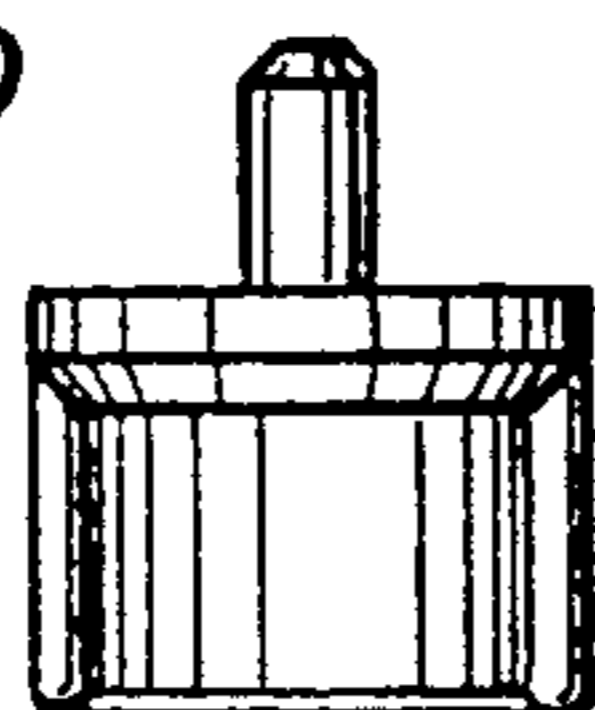


Fig. 6

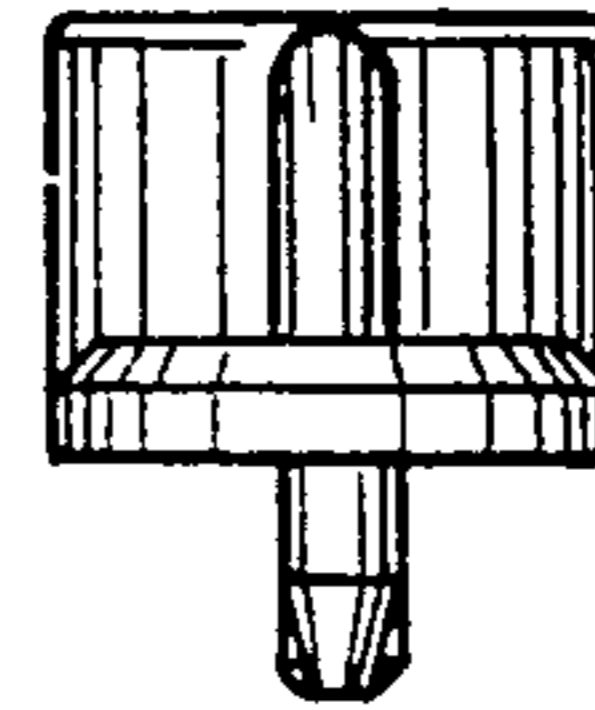


Fig. 7

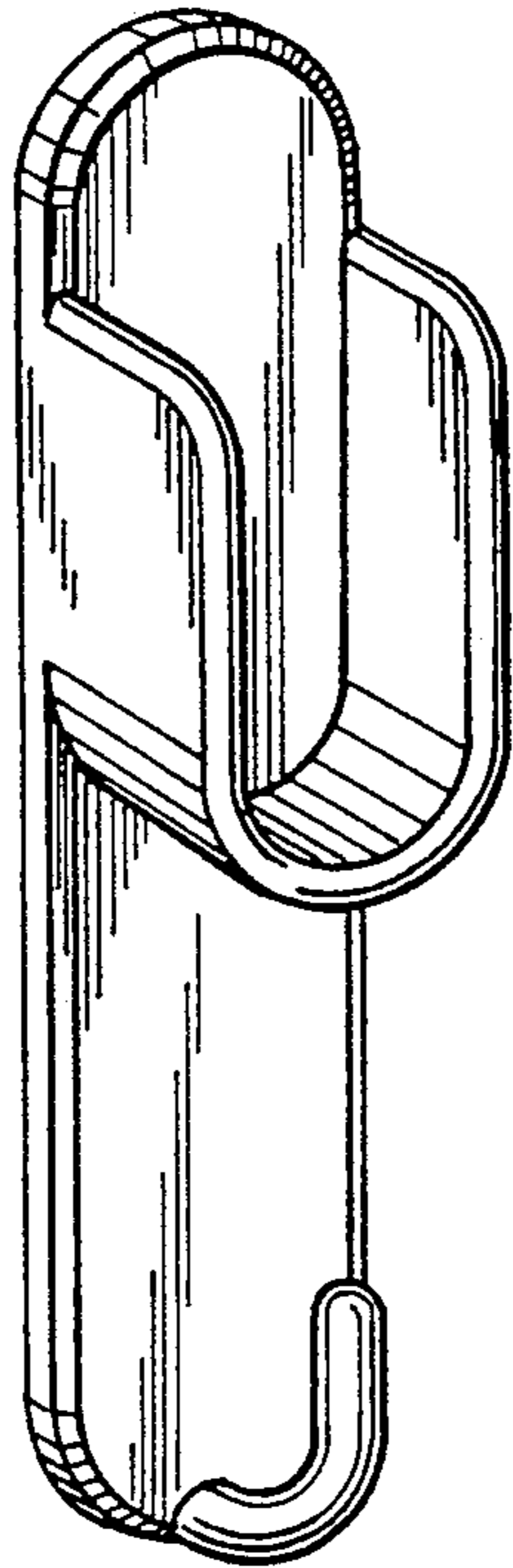


Fig. 8

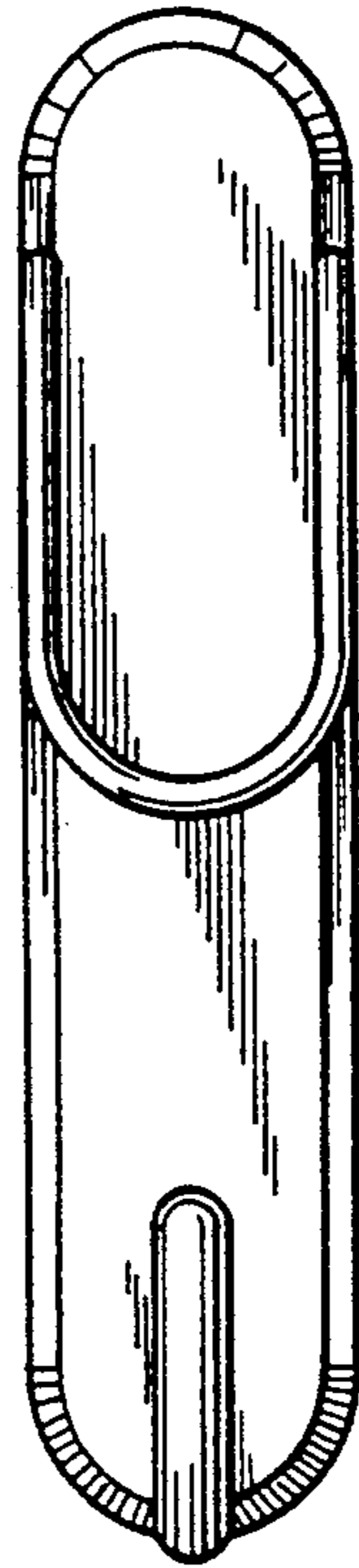


Fig. 9

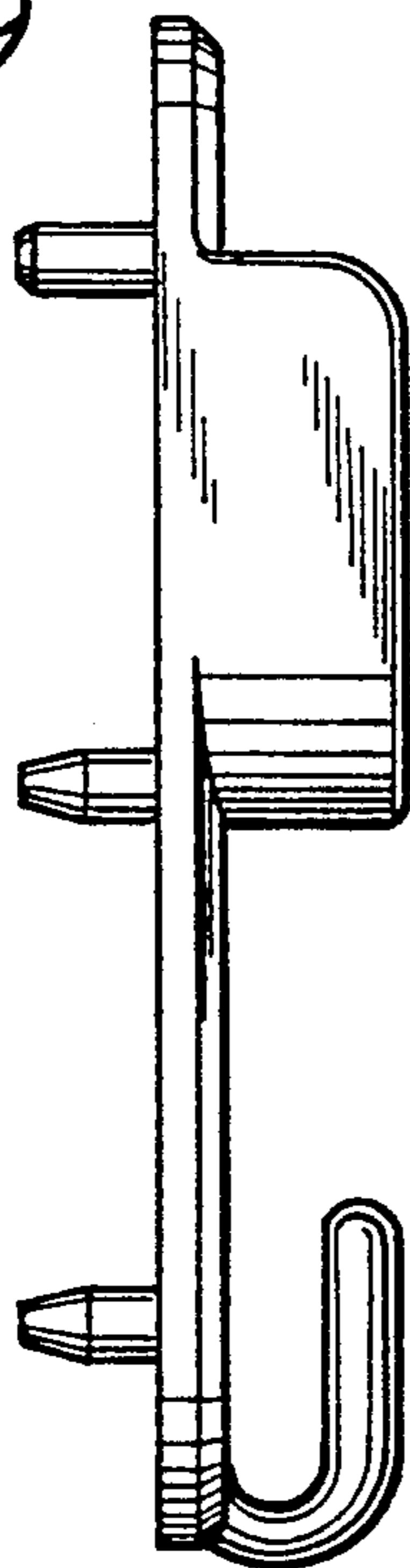


Fig. 10

