



US00D326602S

United States Patent [19]
Cheung

[11] **Patent Number: Des. 326,602**
[45] **Date of Patent: ** Jun. 2, 1992**

[54] **PULLEY FOR OPERATING AIRCRAFTS**

[75] **Inventor: Maxwell C. Cheung, Irvine, Calif.**

[73] **Assignee: Arvan, Inc., Gardena, Calif.**

[**] **Term: 14 Years**

[21] **Appl. No.: 675,715**

[22] **Filed: Mar. 27, 1991**

[52] **U.S. Cl. D8/360**

[58] **Field of Search D8/361, 360, 358;
D34/28; 474/166, 152; D12/135, 204**

[56] **References Cited**

U.S. PATENT DOCUMENTS

D. 23,476	7/1894	Ketchum	D8/360
D. 32,338	3/1900	Cliff	D8/358
D. 57,271	3/1921	Royer	D8/358
D. 205,065	6/1966	Bollinger et al.	D12/135
D. 239,619	4/1976	May	D12/204

D. 245,669 9/1977 Woods D8/360

Primary Examiner—Wallace R. Burke
Assistant Examiner—H. Baynham
Attorney, Agent, or Firm—Spensley Horn Jubas & Lubitz

[57] **CLAIM**

The ornamental design for a pulley for operating aircrafts, or the like, as shown and described.

DESCRIPTION

FIG. 1 is a top plan view of a pulley for operating aircrafts showing my new design with the bottom plan view being a mirror image;

FIG. 2 is a side elevational view thereof with the other sides being mirror images thereof;

FIG. 3 is a sectional view thereof taken along line 3—3 of FIG. 1; and,

FIG. 4 is a partial sectional view taken along line 4—4 of FIG. 1.

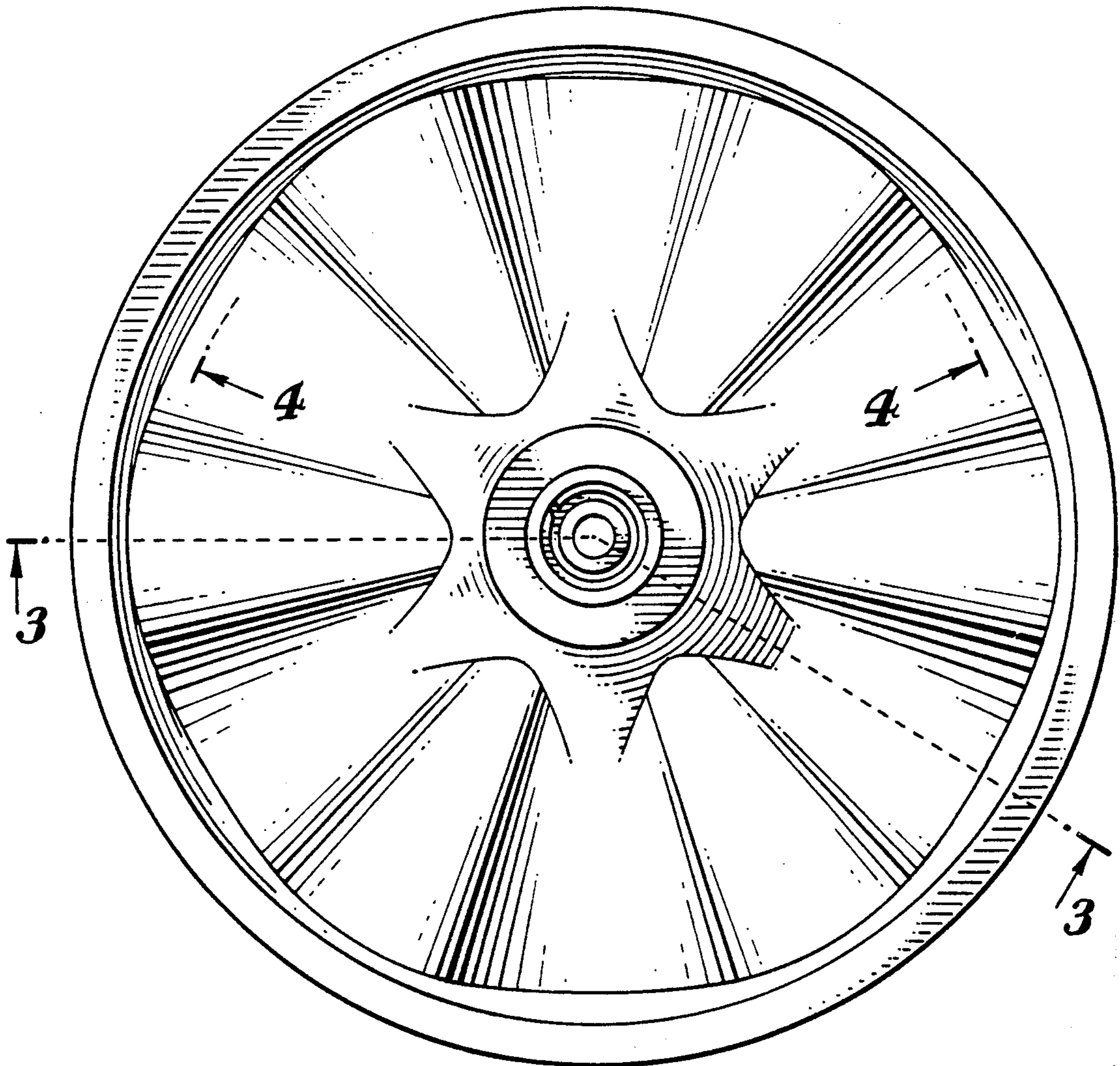


Fig. 1

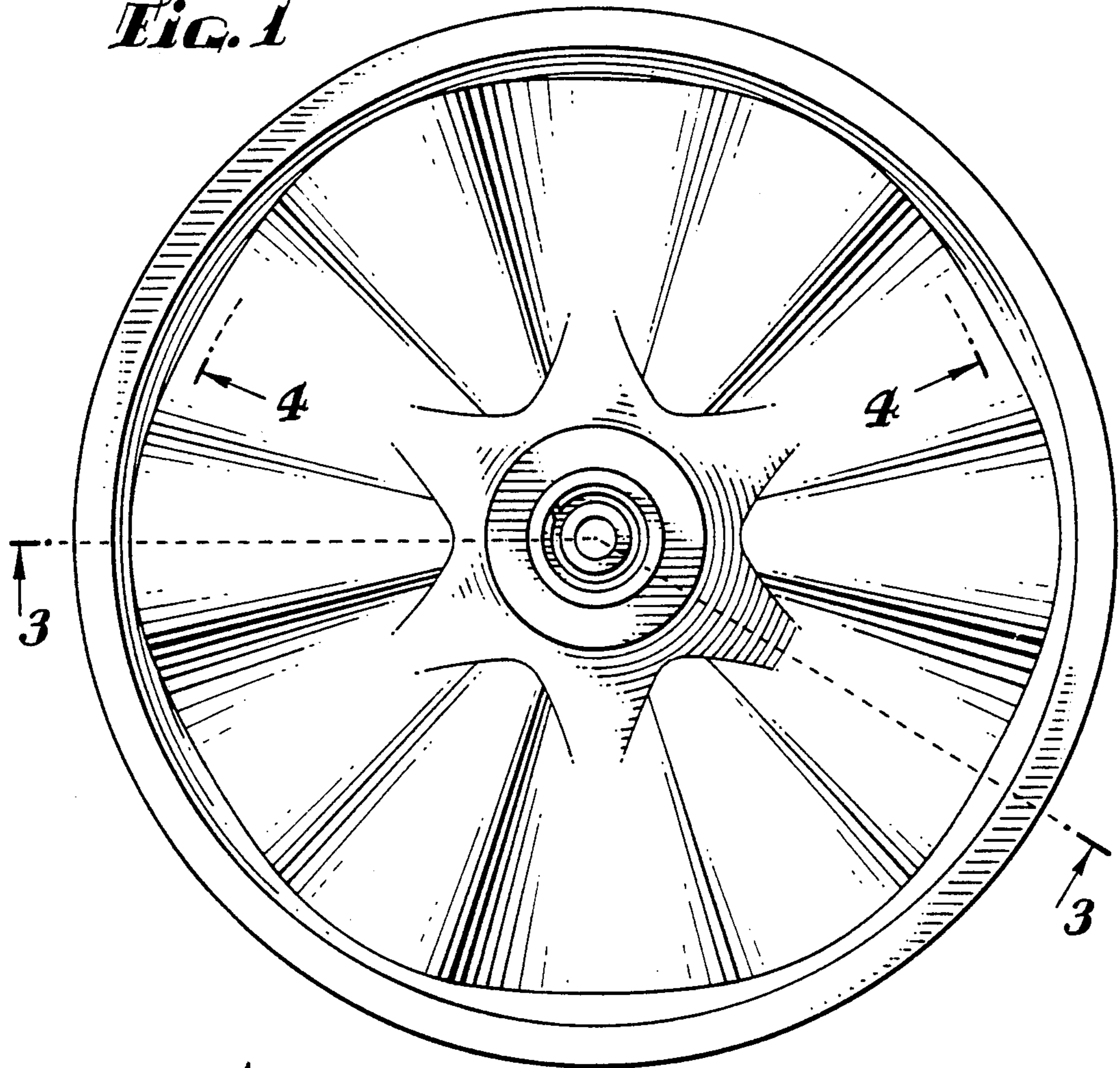


Fig. 2

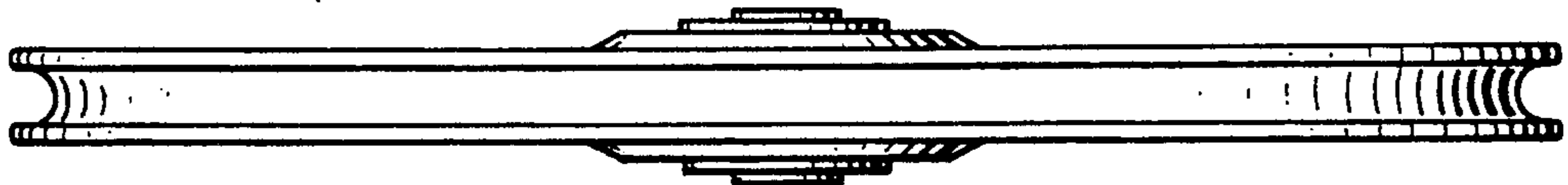


Fig. 3

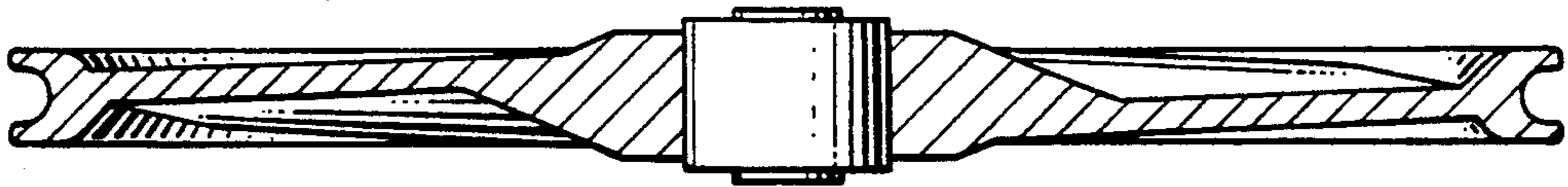


Fig. 4

