



US00D326598S

United States Patent [19]

Sakamoto et al.

[11] Patent Number: **Des. 326,598**

[45] Date of Patent: **** Jun. 2, 1992**

[54] **PORTABLE ELECTRIC DRILL**

[75] Inventors: **Masakazu Sakamoto, Tokyo; Hitoshi Tsuru, Hiroshima, both of Japan**

[73] Assignee: **Ryobi Ltd., Hiroshima, Japan**

[**] Term: **14 Years**

[21] Appl. No.: **410,675**

[22] Filed: **Sep. 19, 1989**

[30] **Foreign Application Priority Data**

Mar. 28, 1989 [JP] Japan 1-11286

[52] U.S. Cl. **D8/68**

[58] Field of Search D8/68, 61, 62; 81/54, 81/57.11, 57.13, 57.14; 173/163; 408/124, 125, 127

[56] **References Cited**

U.S. PATENT DOCUMENTS

246,946	1/1978	Schultz	D8/1
280,379	9/1985	Somers	D8/61
289,004	3/1987	Somers	D8/68

D. 298,207	10/1988	Kilmer et al.	D8/68
D. 303,347	9/1989	Somers	D8/68
D. 304,287	10/1989	Zurwelle	D8/68
D. 316,021	4/1991	Bunyea	D8/68
D. 319,763	9/1991	Reiferscheid	D8/68

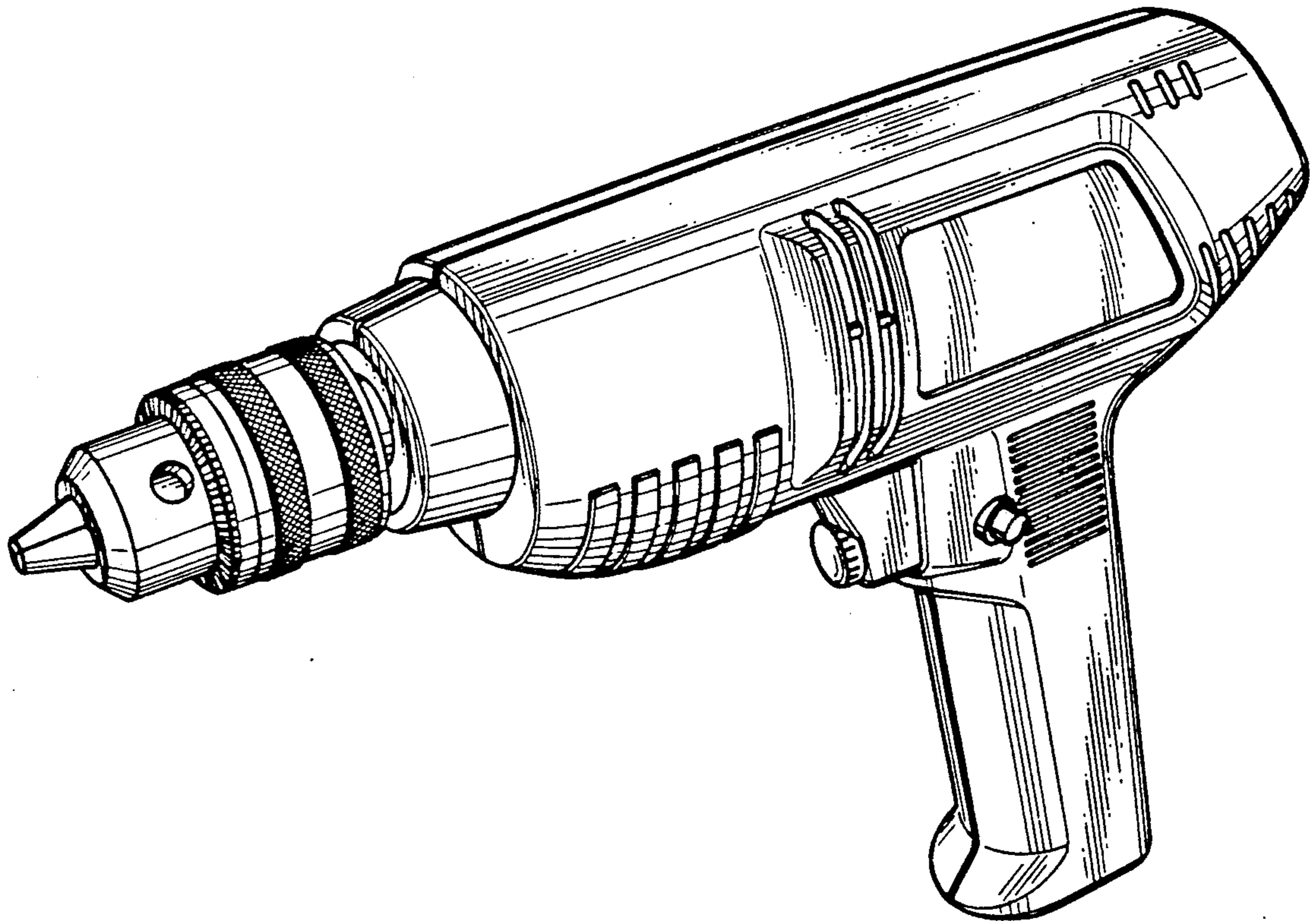
Primary Examiner—Nelson C. Holtje
Assistant Examiner—J. H. Musgrove
Attorney, Agent, or Firm—Sughrue, Mion, Zinn, Macpeak & Seas

[57] CLAIM

The ornamental design for a portable electric drill, as shown.

DESCRIPTION

FIG. 1 is a front, top and right side perspective view of a portable electric drill showing our new design; FIG. 2 is a right side elevational view thereof; FIG. 3 is a left side elevational view thereof; FIG. 4 is a top plan view thereof; FIG. 5 is a bottom plan view thereof; FIG. 6 is a front elevational view thereof; and, FIG. 7 is a rear elevational view thereof.



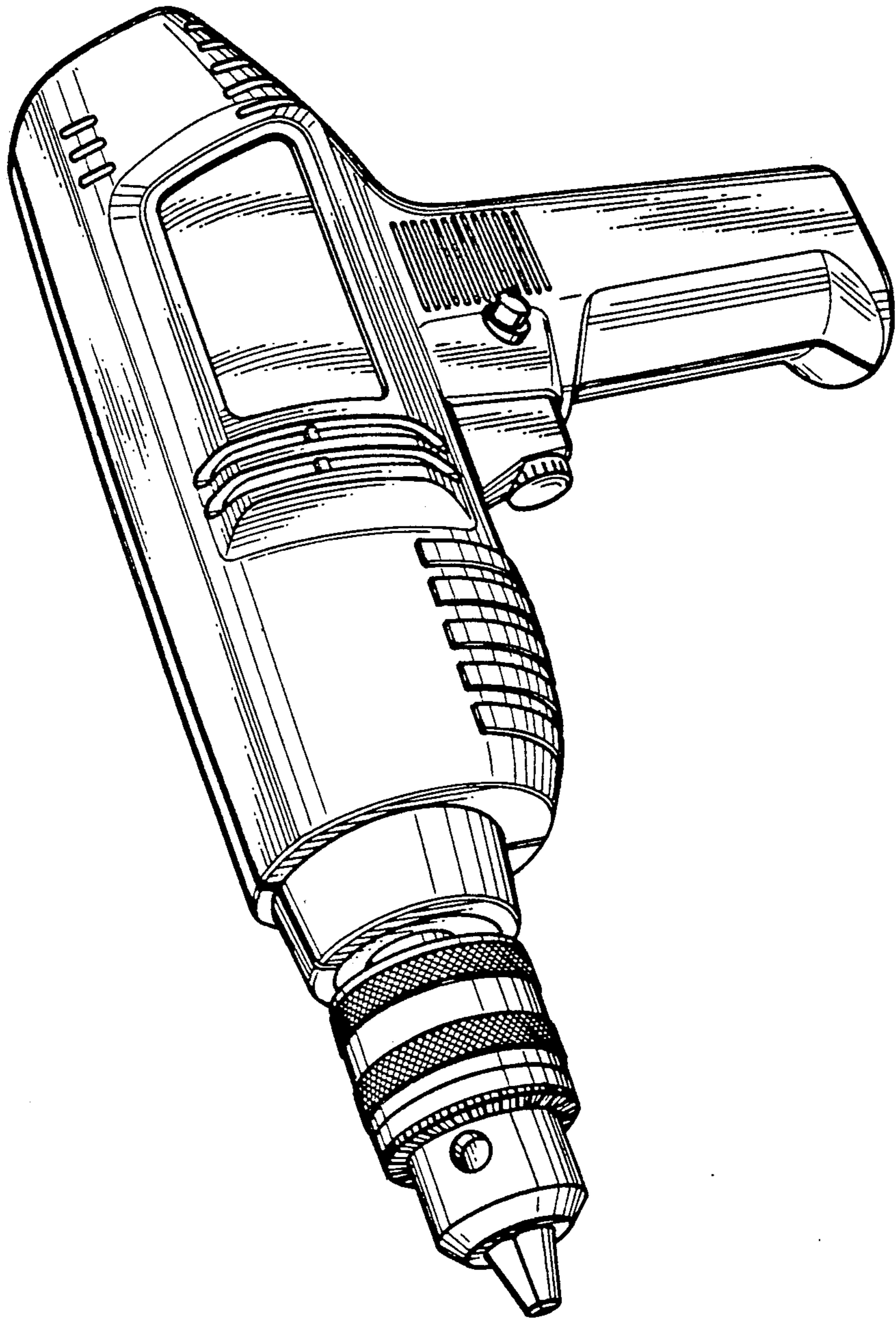


Fig. 1

Fig. 2

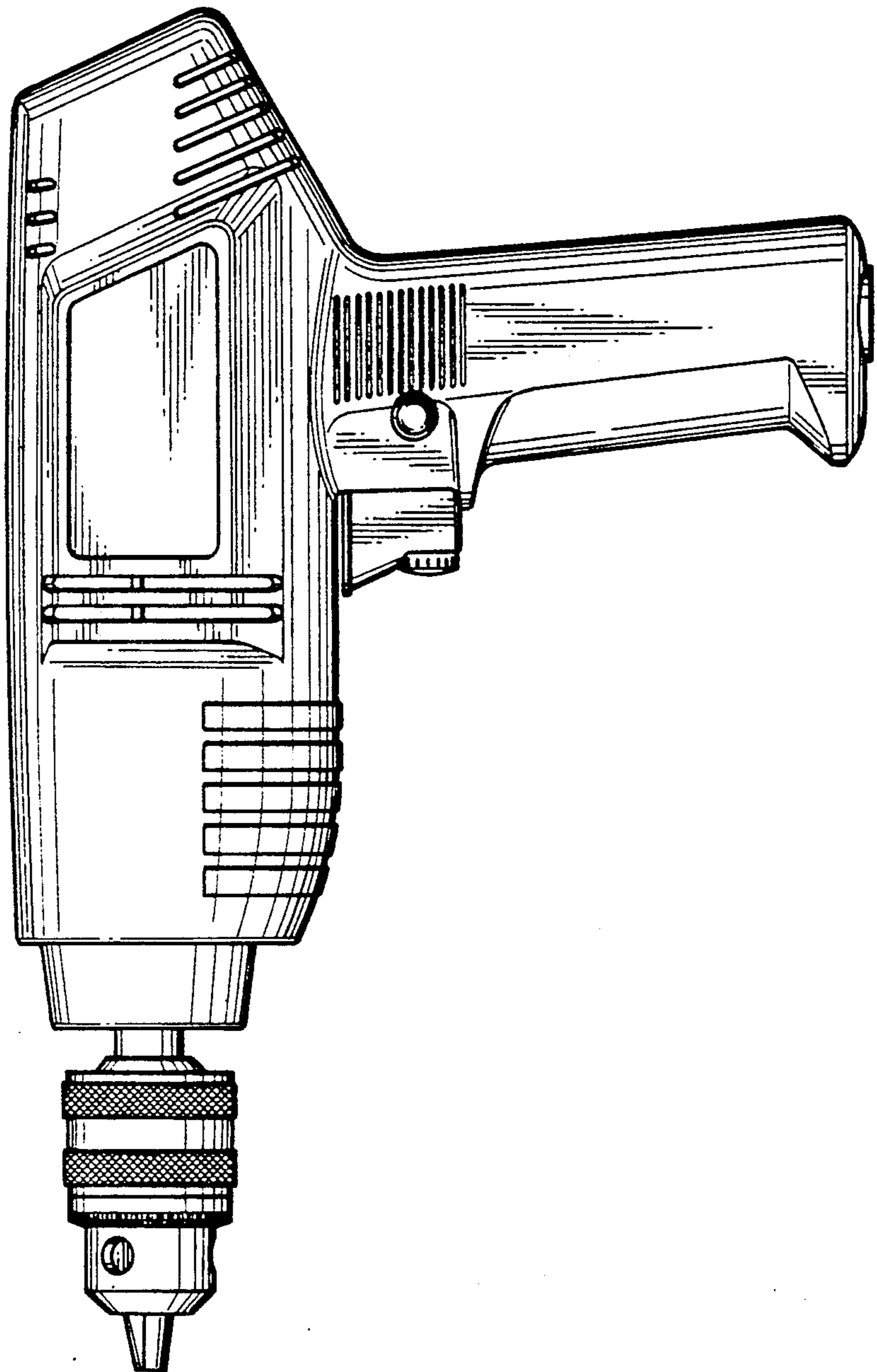


Fig. 3

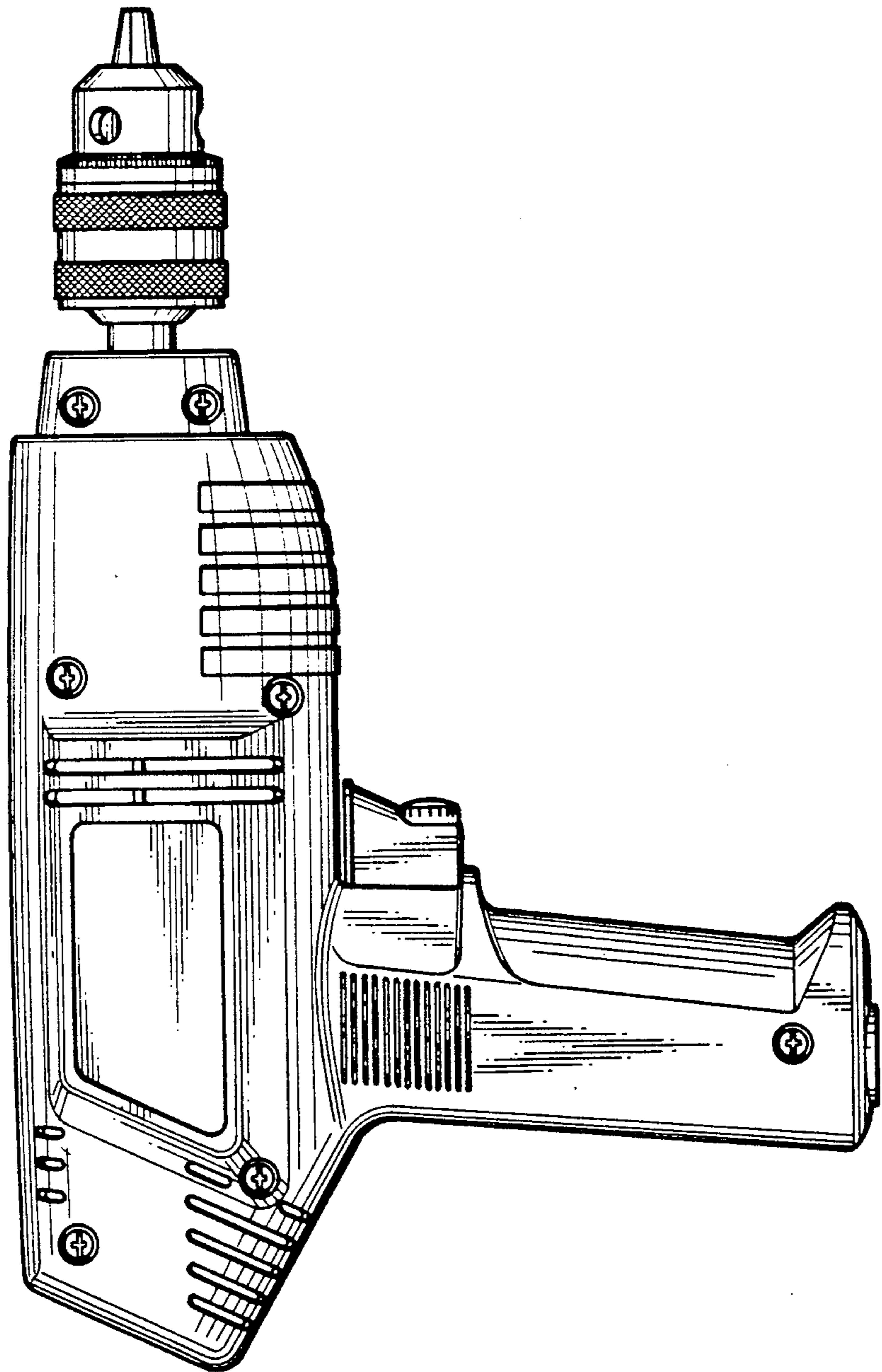


Fig. 4

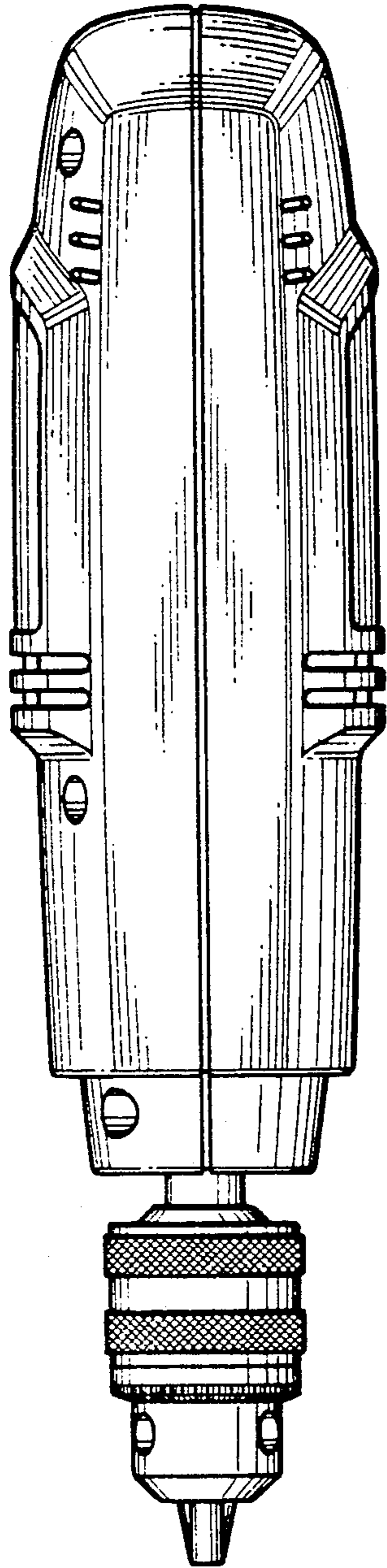


Fig. 5

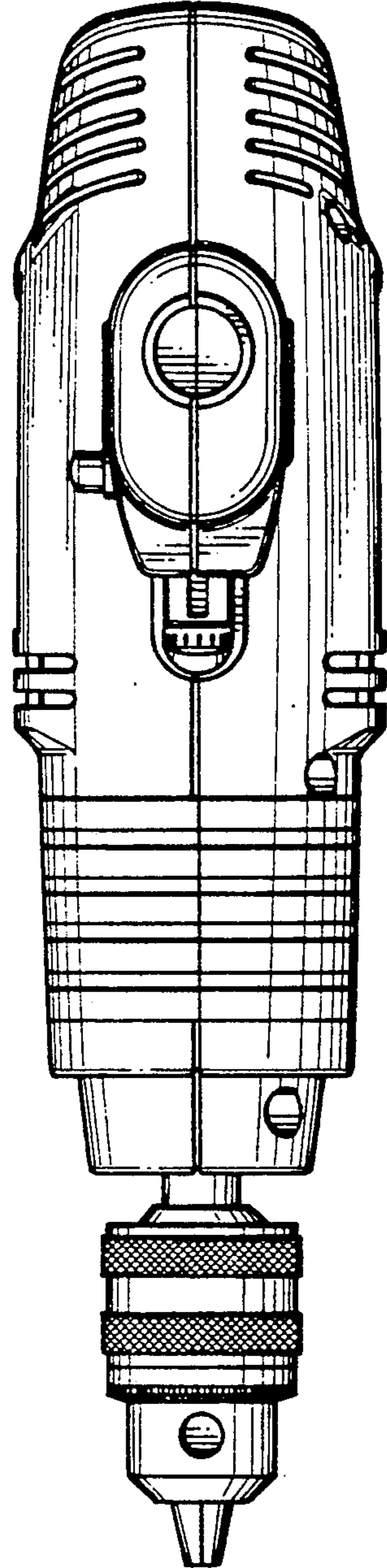


Fig. 6

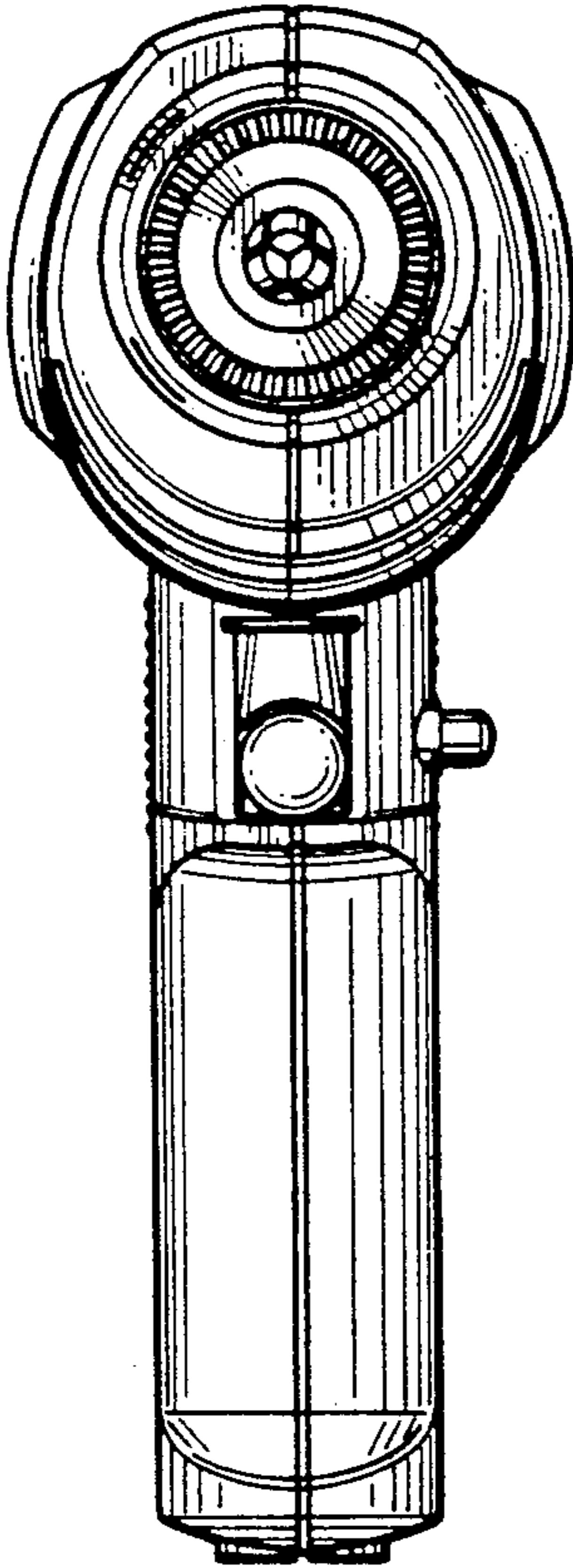


Fig. 7

