



US00D326597S

# United States Patent [19]

[11] Patent Number: **Des. 326,597**

Lee

[45] Date of Patent: **\*\* Jun. 2, 1992**

[54] **POWER WRENCH**

D. 301,300 5/1989 Sasaki et al. .... D8/68  
3,610,582 10/1971 Passoni ..... D8/68 X

[75] Inventor: **Ming-Shen Lee, Taipei, Taiwan**

[73] Assignee: **Hsiang Hwa-Industrial Co., LTD.,  
Taipei, Taiwan**

*Primary Examiner*—Donald P. Walsh  
*Assistant Examiner*—J. H. Musgrove  
*Attorney, Agent, or Firm*—Lowe, Price, LeBlanc &  
Becker

[\*\*] Term: **14 Years**

[57] **CLAIM**

[21] Appl. No.: **415,700**

The ornamental design for a power wrench, as shown.

[22] Filed: **Oct. 2, 1989**

**DESCRIPTION**

[52] U.S. Cl. .... **D8/68**

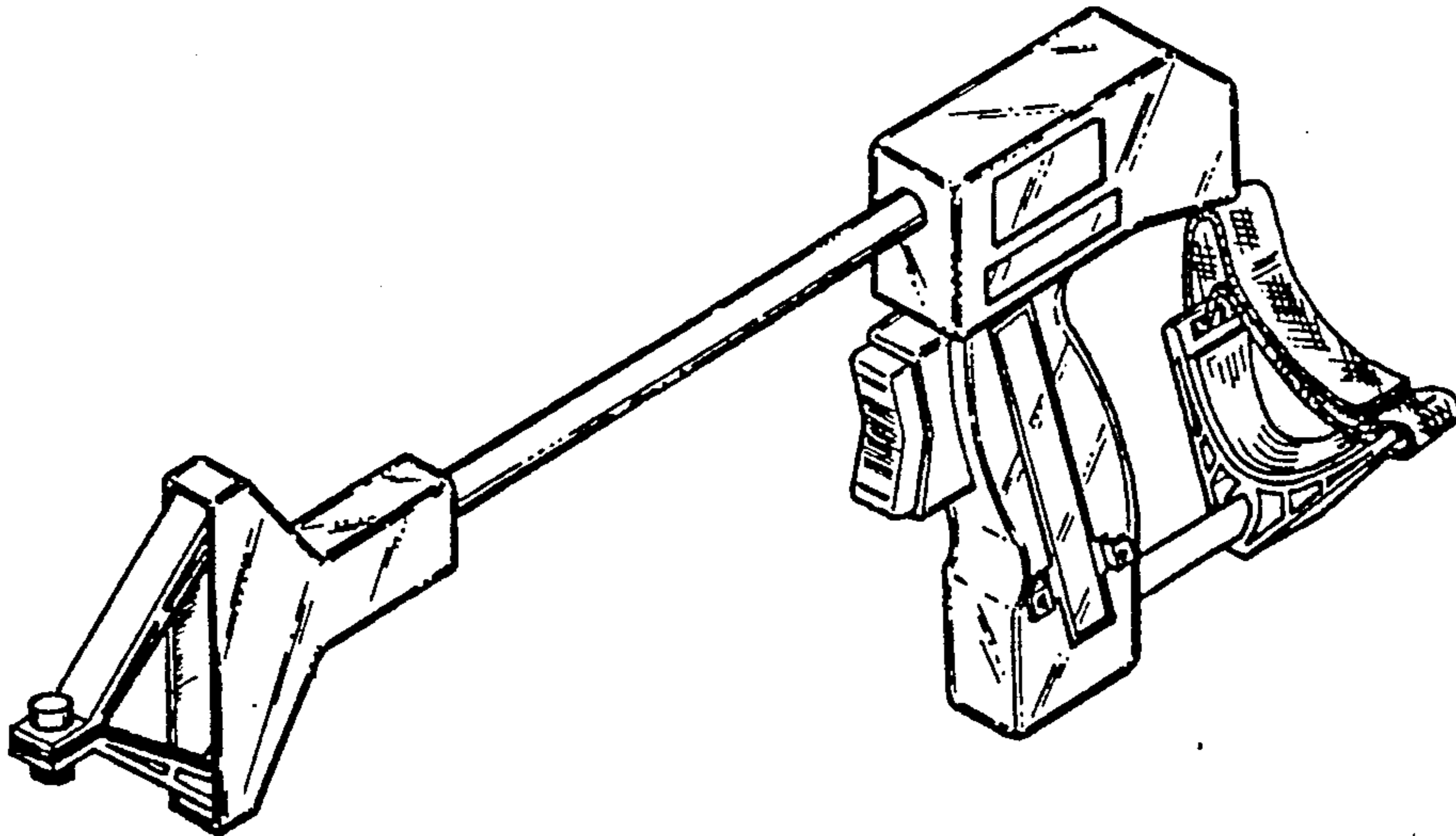
[58] Field of Search ..... **D8/61-68;**  
408/124, 125, 127; 173/170, 163; 81/57.11,  
57.13, 54

FIG. 1 is a right-side elevational view of a power wrench showing my new design;  
FIG. 2 is a left side elevational view;  
FIG. 3 is a front elevational view;  
FIG. 4 is a rear elevational view;  
FIG. 5 is a top plan view;  
FIG. 6 is a bottom plan view;  
FIG. 7 is a top front right side perspective view; and,  
FIG. 8 is a top front right side perspective view showing the claw in a horizontal position thereof.

[56] **References Cited**

**U.S. PATENT DOCUMENTS**

D. 181,189 10/1957 Fegan ..... D8/68  
D. 189,000 10/1960 Clay ..... D8/68  
D. 288,769 3/1987 Doman ..... D8/68



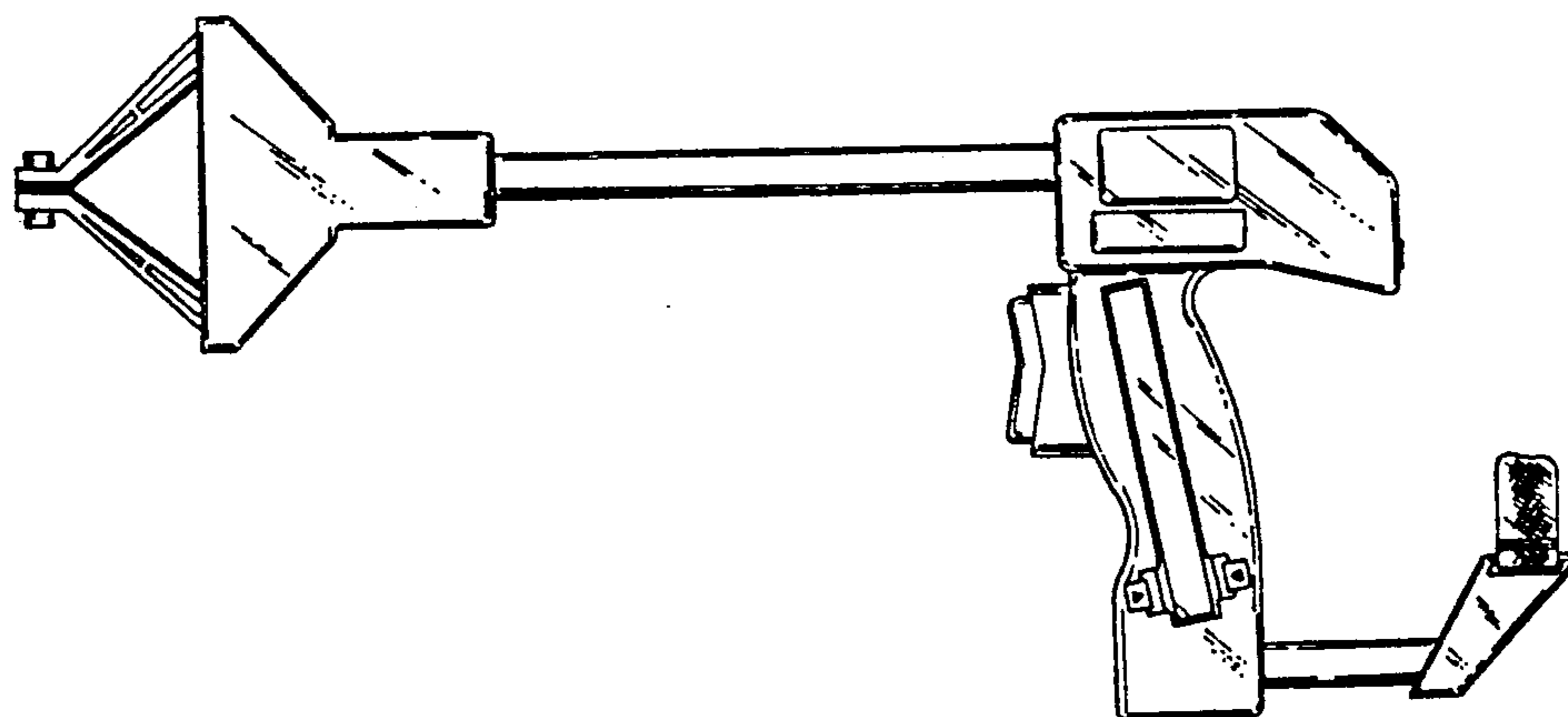


FIG.1

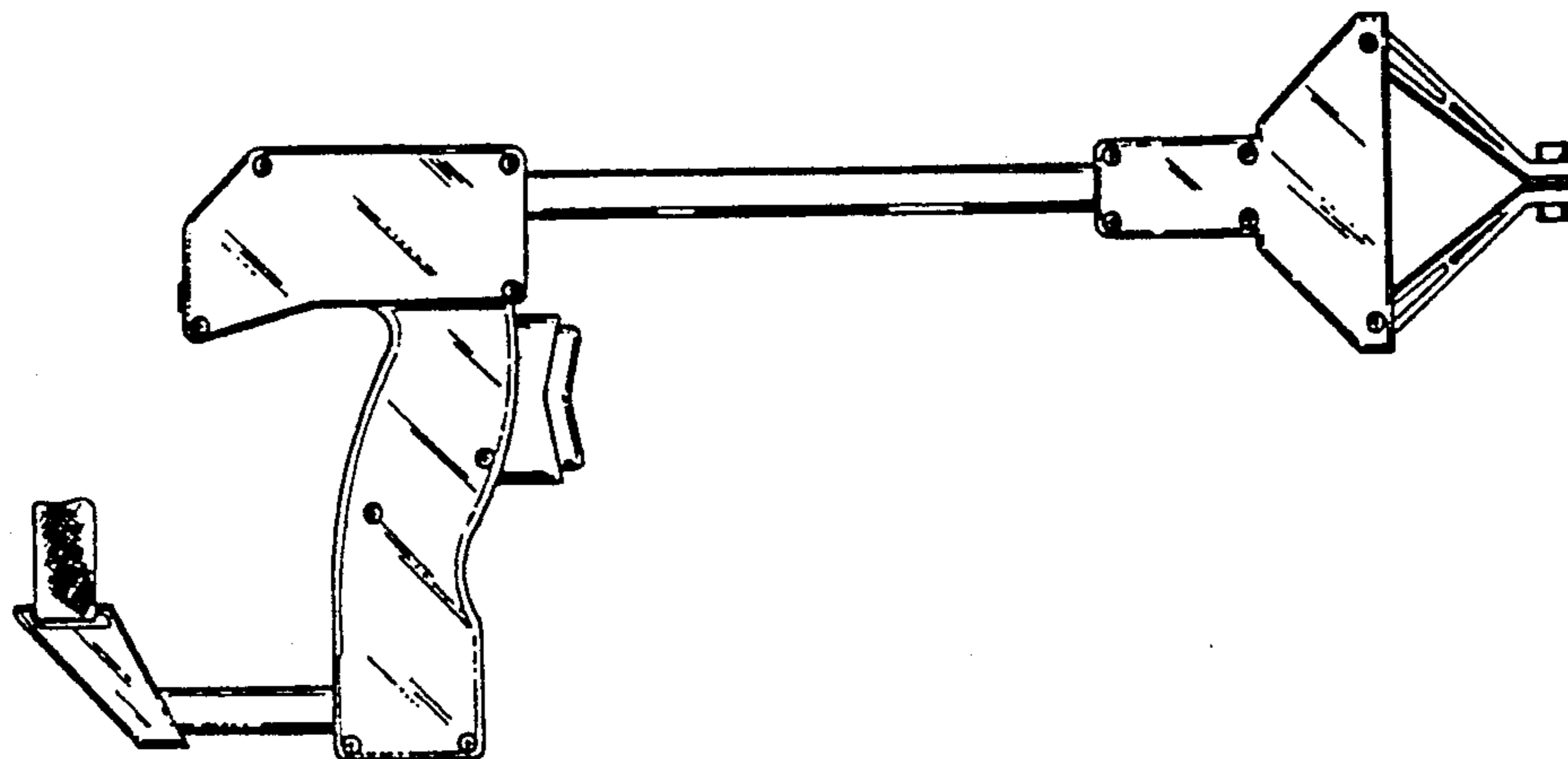


FIG.2

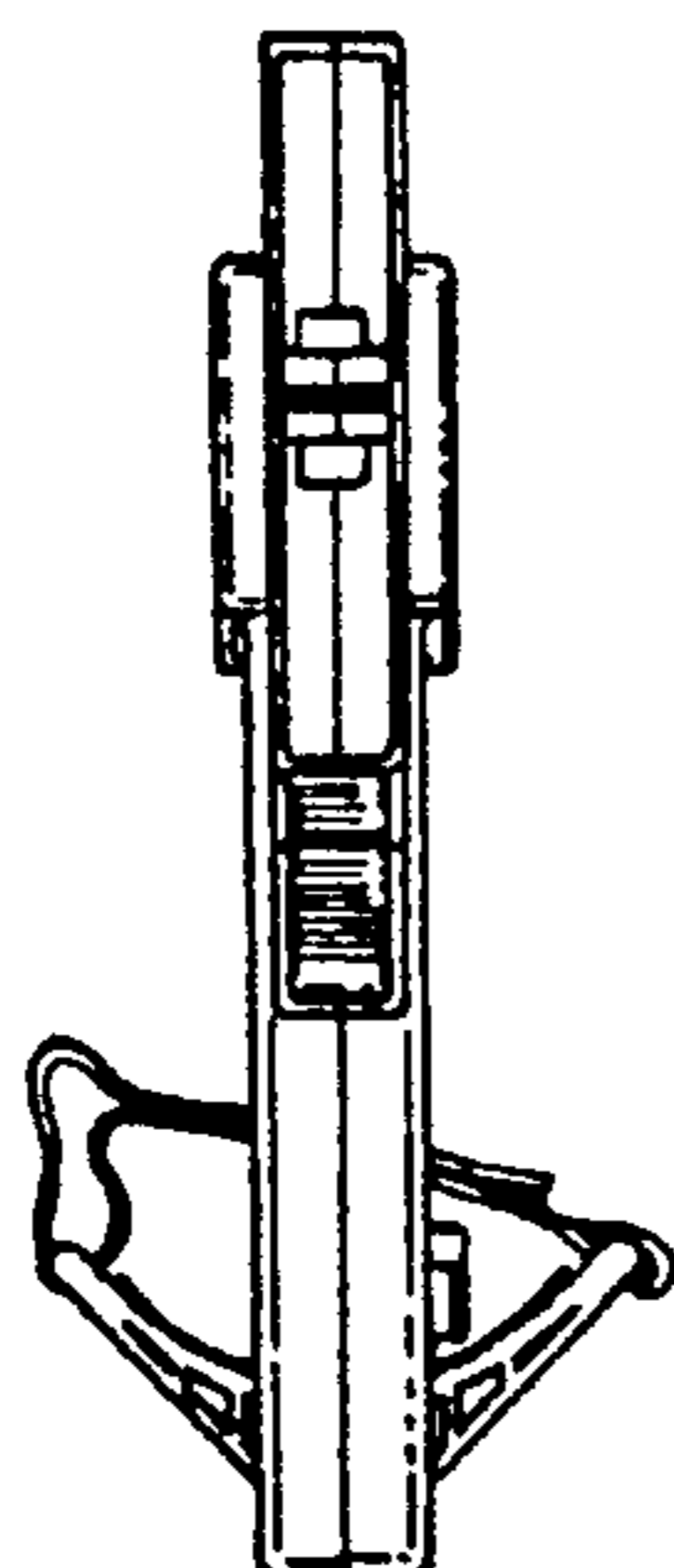


FIG.3

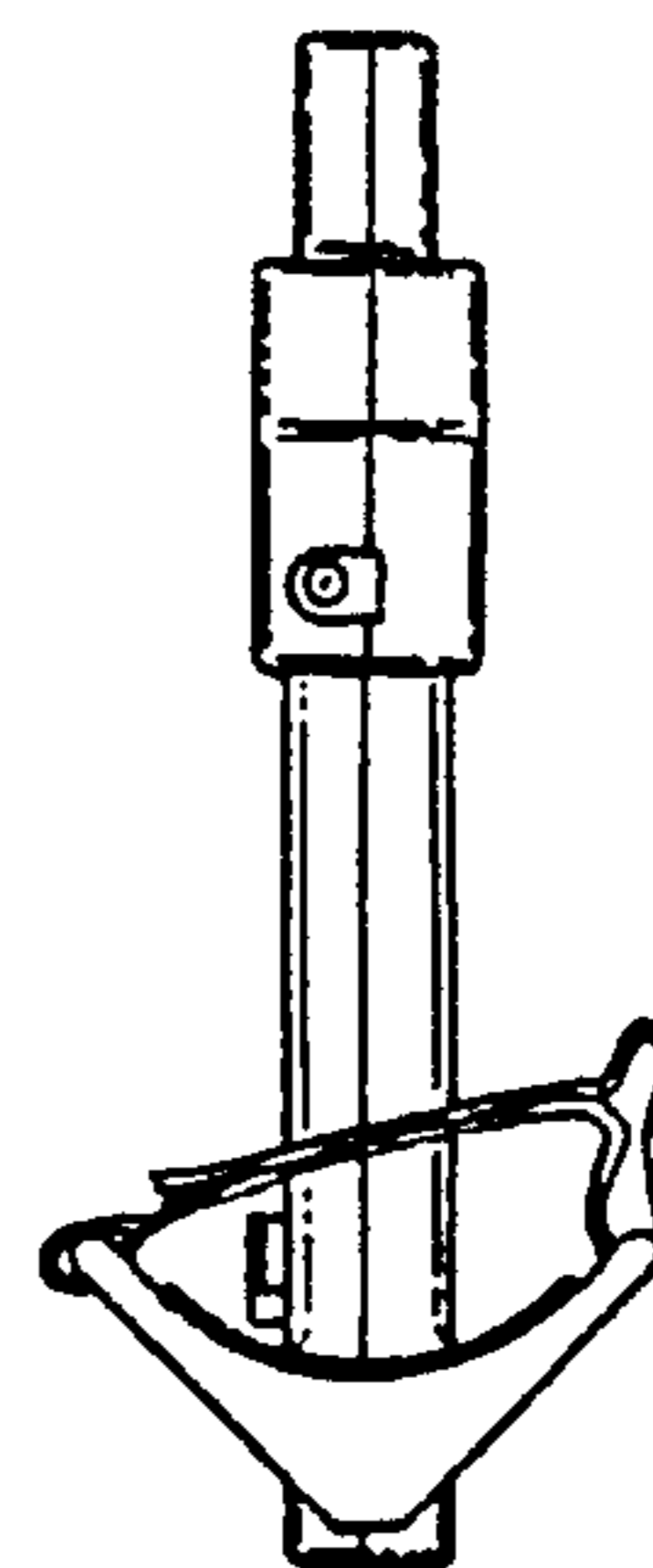


FIG.4

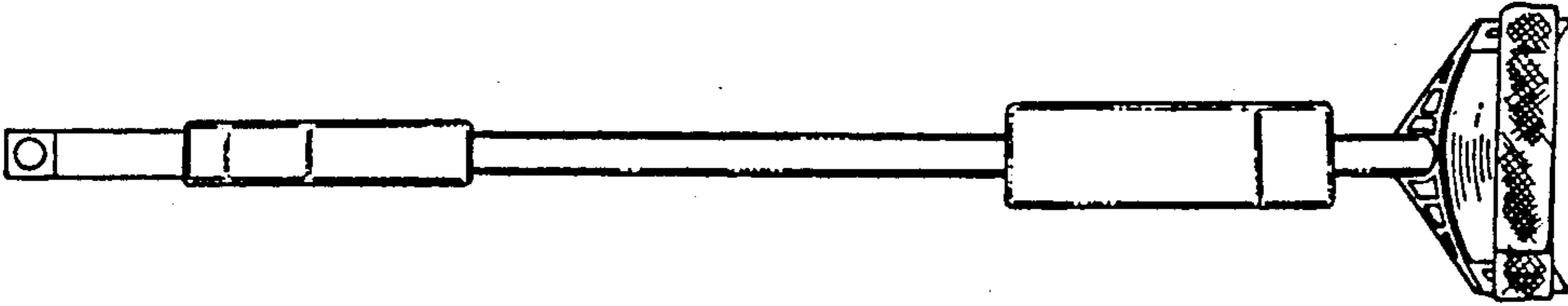


FIG.5

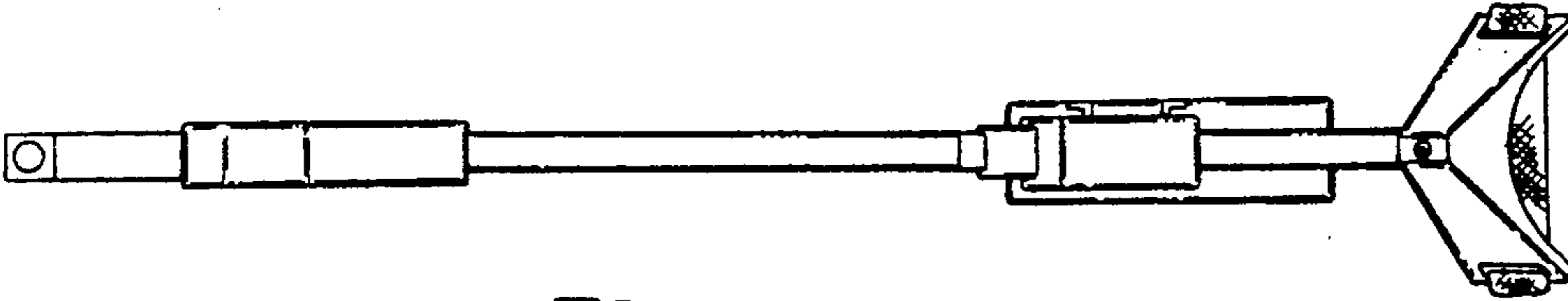


FIG.6

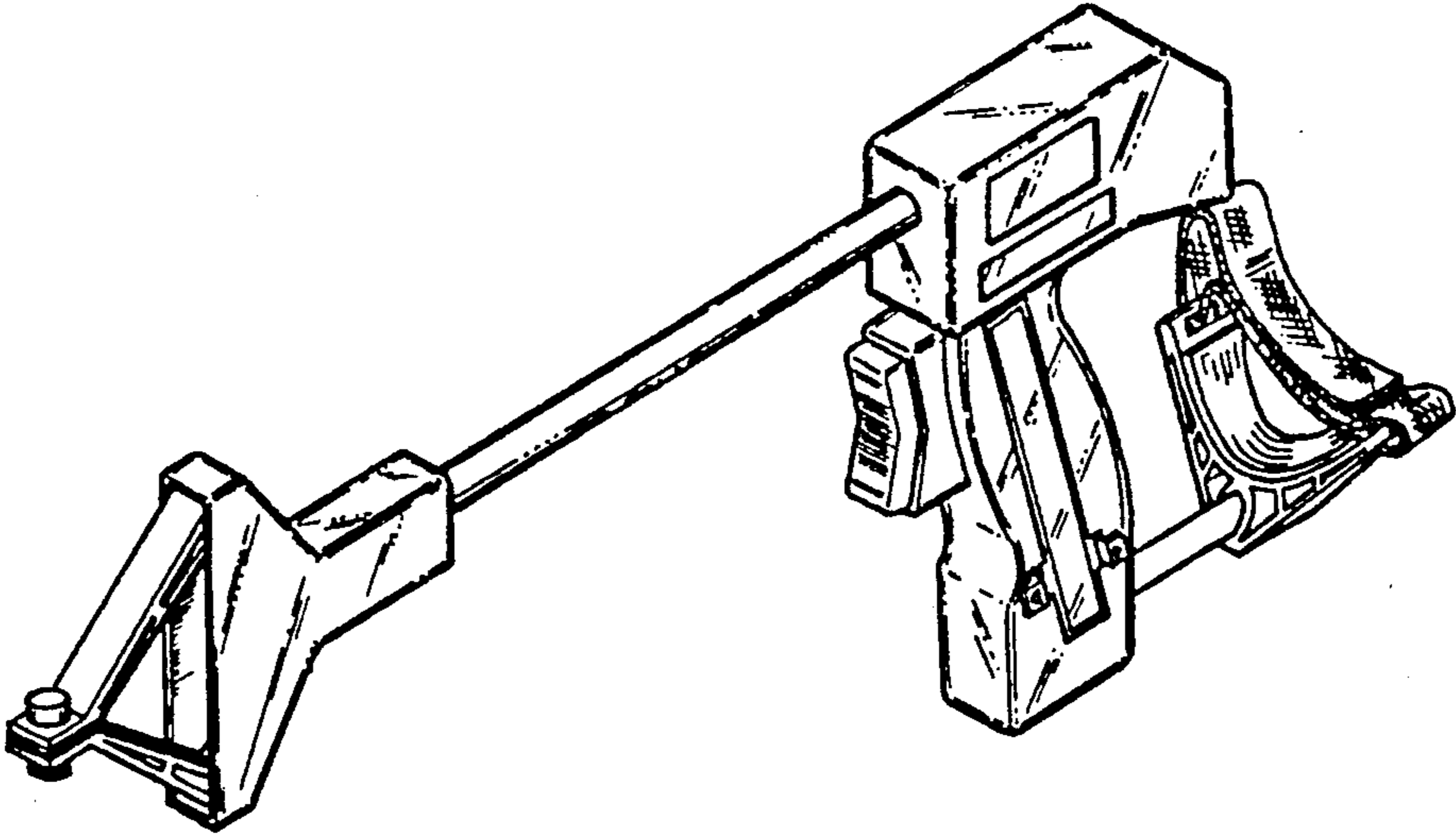


FIG.7

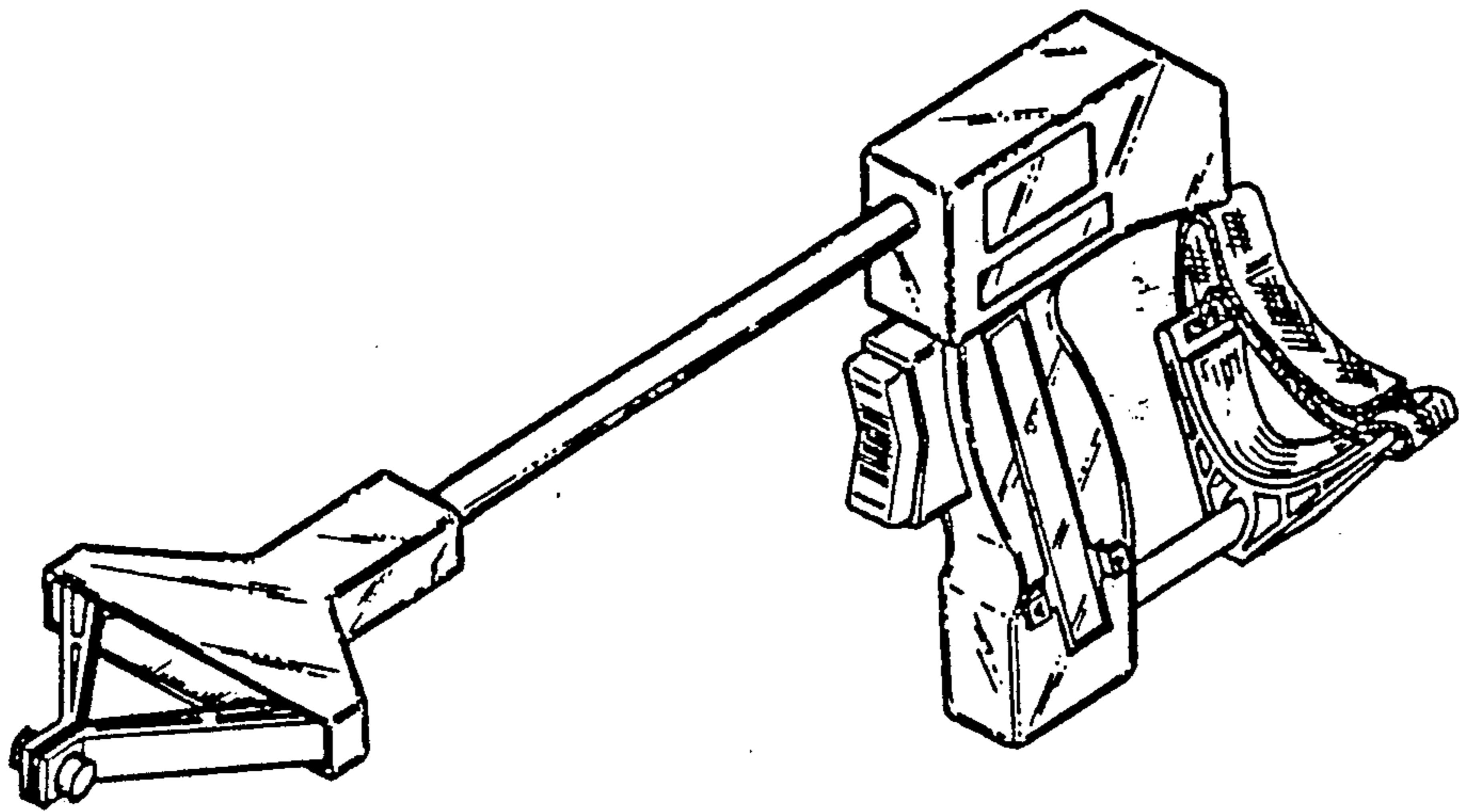


FIG.8