



US00D326593S

United States Patent [19]

[11] Patent Number: **Des. 326,593**

Ward

[45] Date of Patent: **** Jun. 2, 1992**

[54] **BLADE FOR CAULKING TOOL**

[76] Inventor: **William L. Ward**, 2618 Amherst Dr.,
Wichita Falls, Tex. 76308

[**] Term: **14 Years**

[21] Appl. No.: **324,594**

[22] Filed: **Mar. 17, 1989**

[52] U.S. Cl. **D8/14; D8/45**

[58] Field of Search **D8/14, 45, 82; 30/167,
30/168, 169; 408/320, 230**

[56] **References Cited**

U.S. PATENT DOCUMENTS

| | | | |
|------------|---------|-------------------|--------|
| D. 213,858 | 4/1965 | Fortenberry | D8/70 |
| D. 314,696 | 2/1991 | Lucarelli | D8/45 |
| D. 315,482 | 3/1991 | Prebeck | D8/45 |
| 690,829 | 1/1902 | Browne | D8/98 |
| 4,128,351 | 12/1978 | Kurtz et al. | 30/168 |

OTHER PUBLICATIONS

Leichtung Catalog, 1982, pp. 94 & 95, Carving Tools.
Osborne Chisels, 1986, p. 24, Chisels.

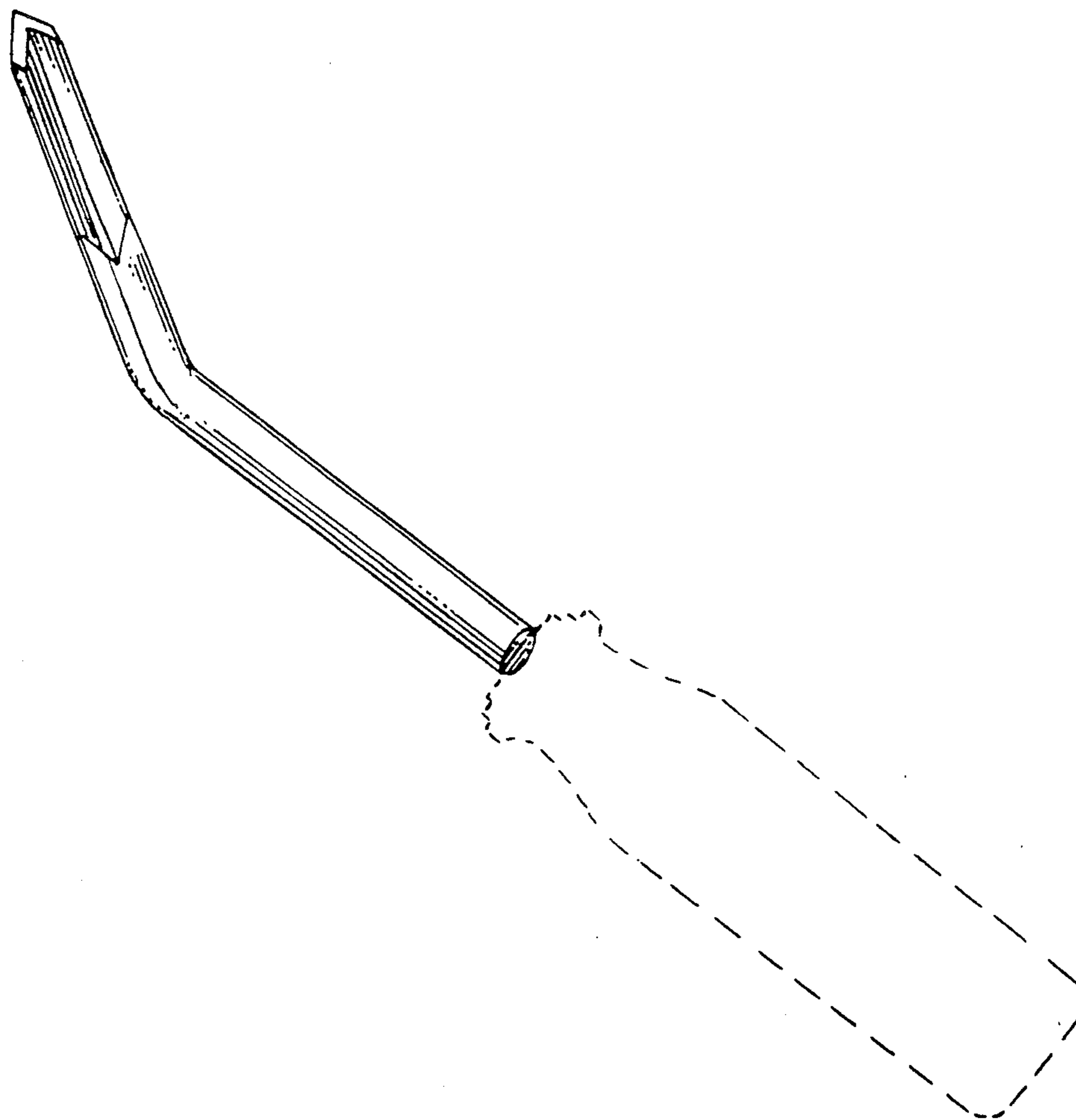
Primary Examiner—Bernard Ansher
Assistant Examiner—Philip Hyder
Attorney, Agent, or Firm—Henderson & Sturm

[57] **CLAIM**

The ornamental design for a blade for caulking tool, as shown and described.

DESCRIPTION

FIG. 1 is a perspective view of a blade for caulking tool showing my new design;
FIG. 2 is a right side elevational view thereof;
FIG. 3 is a bottom plan view thereof;
FIG. 4 is a top plan view thereof;
FIG. 5 is a front elevational view thereof; and,
FIG. 6 is a rear elevational view thereof.
The broken line showing of the handle in FIGS. 1, 4 and 5 is for illustrative purposes only and forms no part of the claimed design.



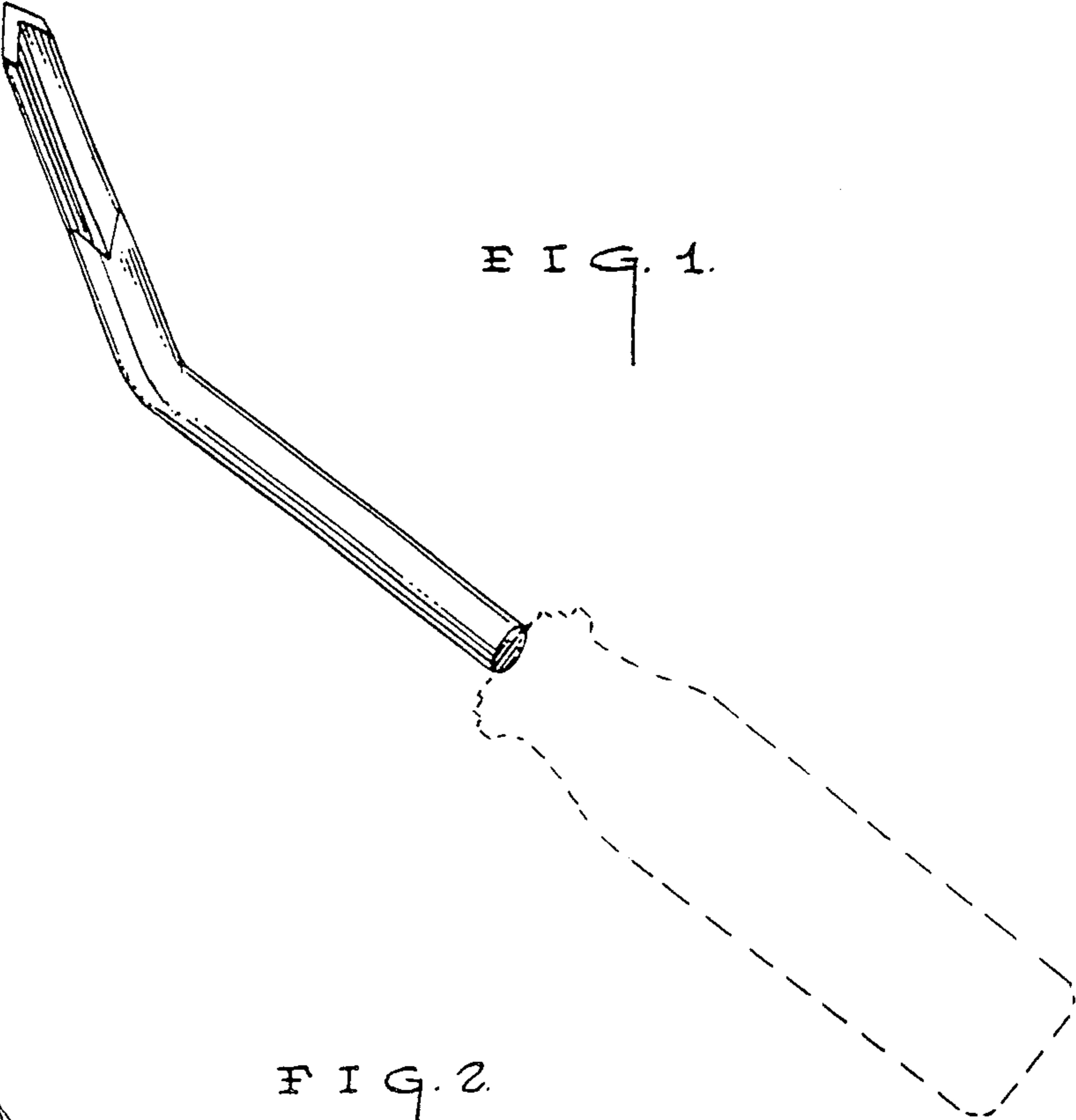


FIG. 1.

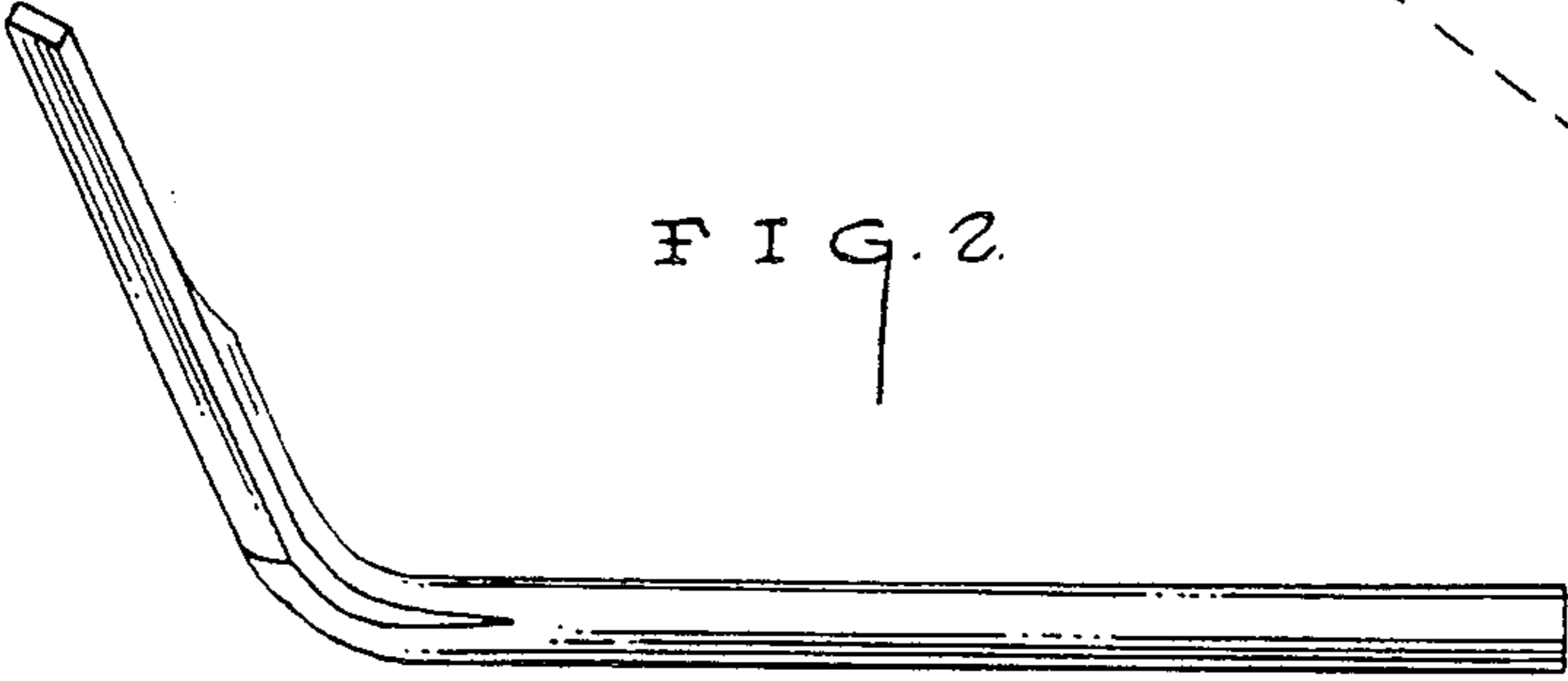


FIG. 2.

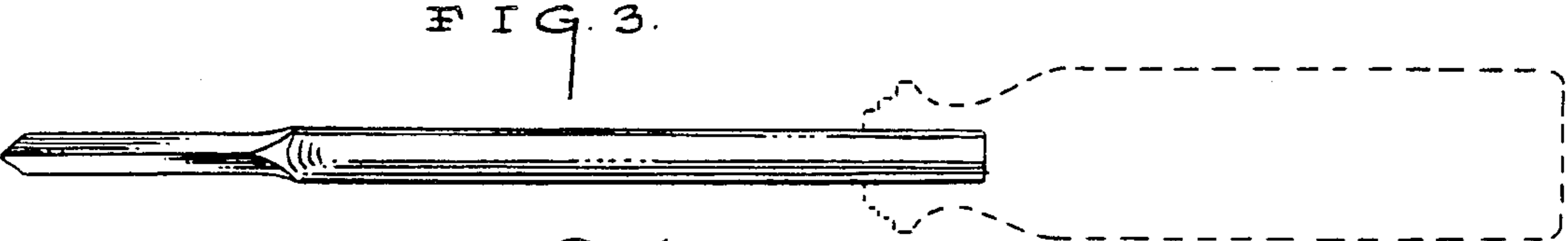


FIG. 3.



FIG. 4.

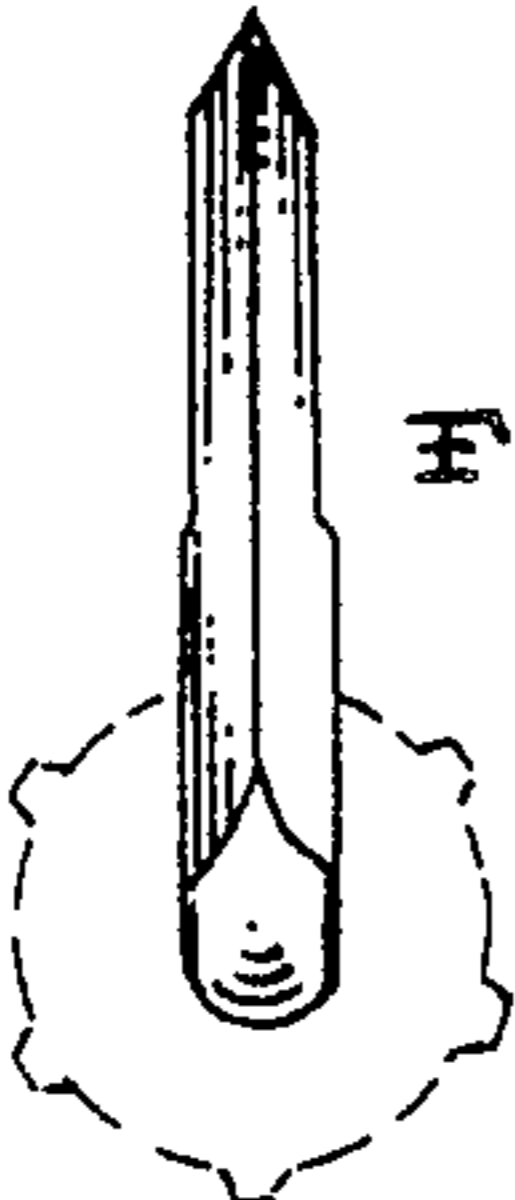


FIG. 5.



FIG. 6.