



US00D326587S

United States Patent [19]

[11] Patent Number: **Des. 326,587**

Convertini

[45] Date of Patent: **** Jun. 2, 1992**

[54] NUT DISH

3,224,625	12/1965	Sperl .	
3,240,030	3/1966	Peters et al.	D7/502
3,252,404	5/1966	Cox	D7/392.1 X
3,756,462	9/1973	Cain	206/501
4,279,354	7/1981	Conti	220/23.83

[76] Inventor: **Joy C. Convertini**, 21 Candlestick La., Upper Saddle River, N.J. 07458

[**] Term: **14 Years**

Primary Examiner—Donald P. Walsh
Assistant Examiner—M. N. Pandozzi
Attorney, Agent, or Firm—Weil, Gotshal & Manges

[21] Appl. No.: **443,644**

[22] Filed: **Nov. 29, 1989**

[52] U.S. Cl. **D7/540; D7/547; D7/555**

[57] **CLAIM**

The ornamental design for a nut dish, as shown and described.

[58] Field of Search **D7/540, 547, 392.1, D7/555, 549, 505, 502; 220/23.83, 23.2; 206/501, 503, 519; 62/459, 457.6, 458**

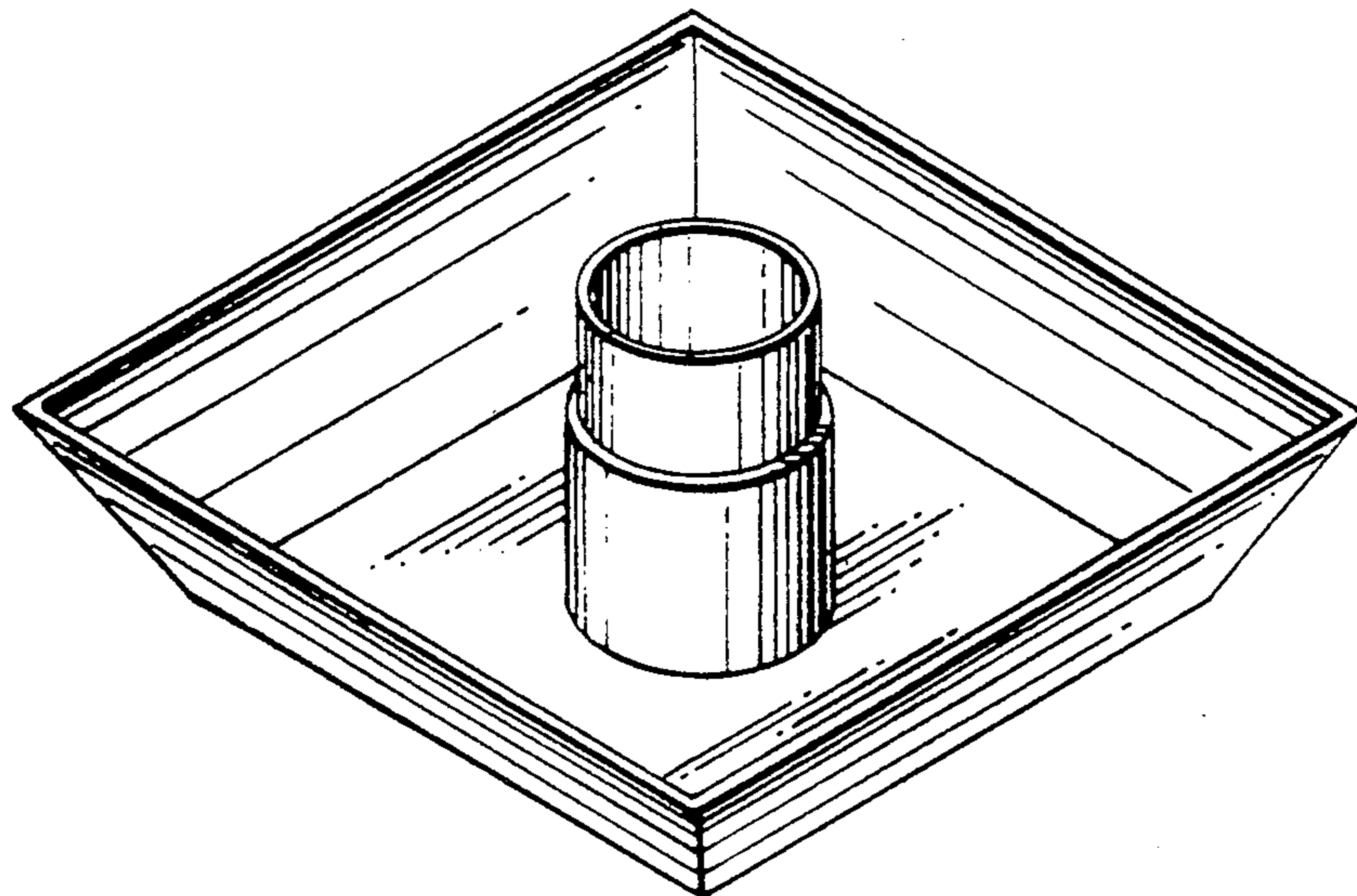
DESCRIPTION

[56] **References Cited**

U.S. PATENT DOCUMENTS

D. 220,230	3/1971	Friedman	D7/547 X
D. 304,658	11/1989	Mattei	D7/505
D. 304,659	11/1989	Asner	D7/555 X
D. 320,327	10/1991	Hollins	D7/502
169,003	1/1876	Keegan .	
947,373	1/1910	Coleman	D7/505 X
1,832,585	11/1931	Sample	D7/505 X

FIG. 1 is a top perspective view of a nut dish showing my new design, with cover removed;
FIG. 2 is a top plan view thereof;
FIG. 3 is a front elevational view, the rear, left side, and right side elevational views being mirror images thereof;
FIG. 4 is a bottom plan view thereof; and,
FIG. 5 is a top perspective view thereof with cover, the bottom plan view of the cover being plain and unornamented.



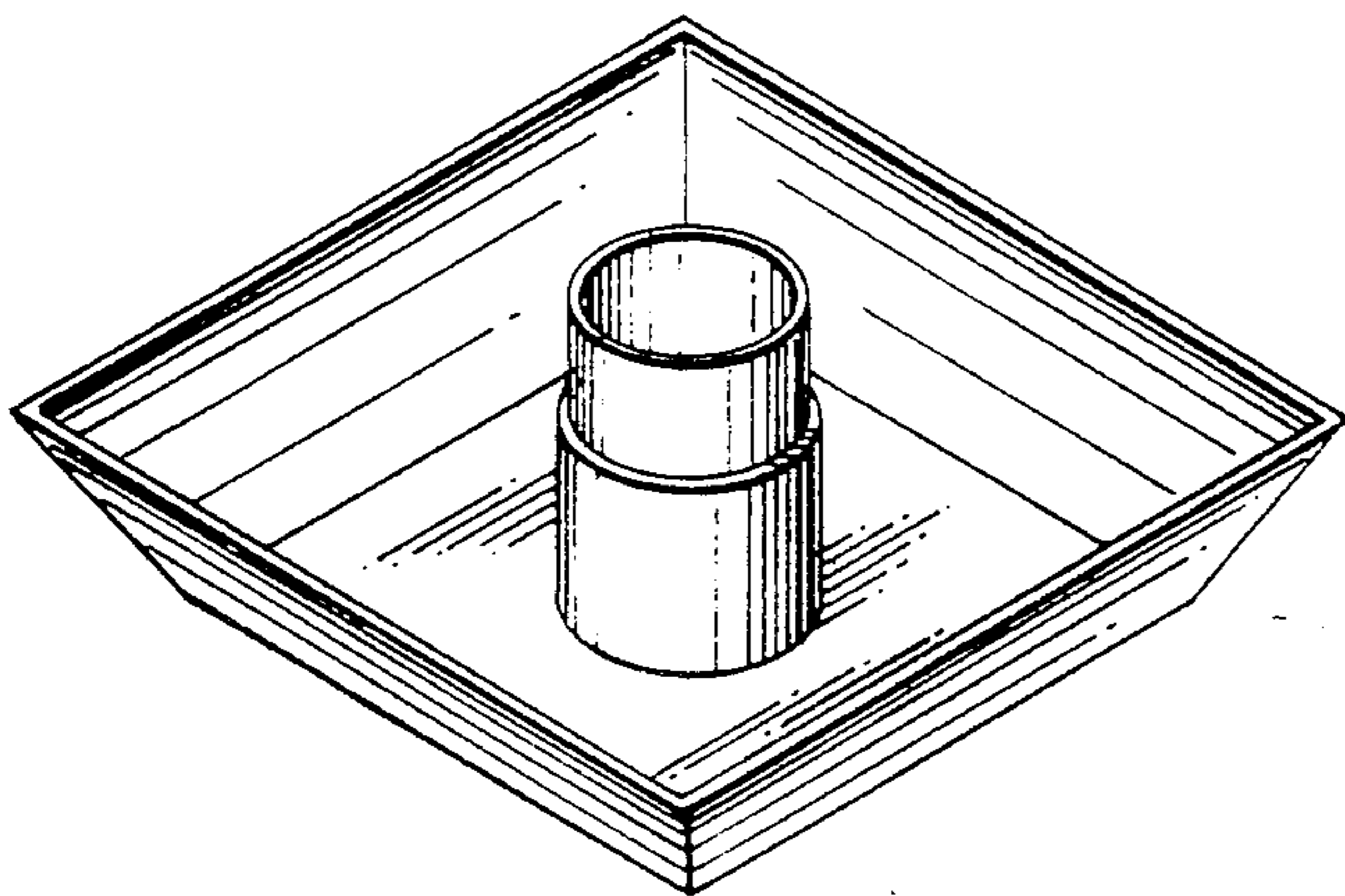


FIG. 1

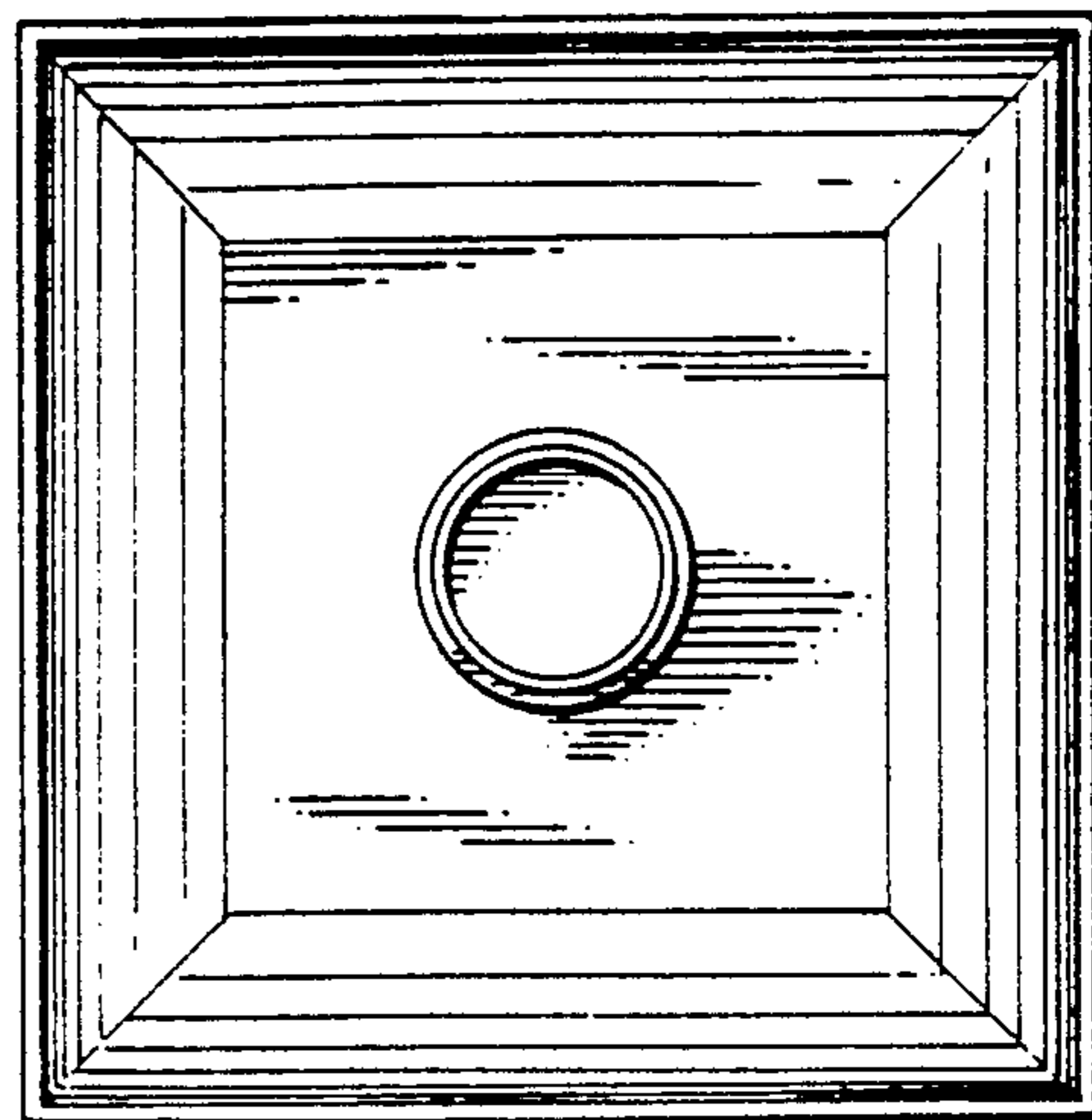


FIG. 2

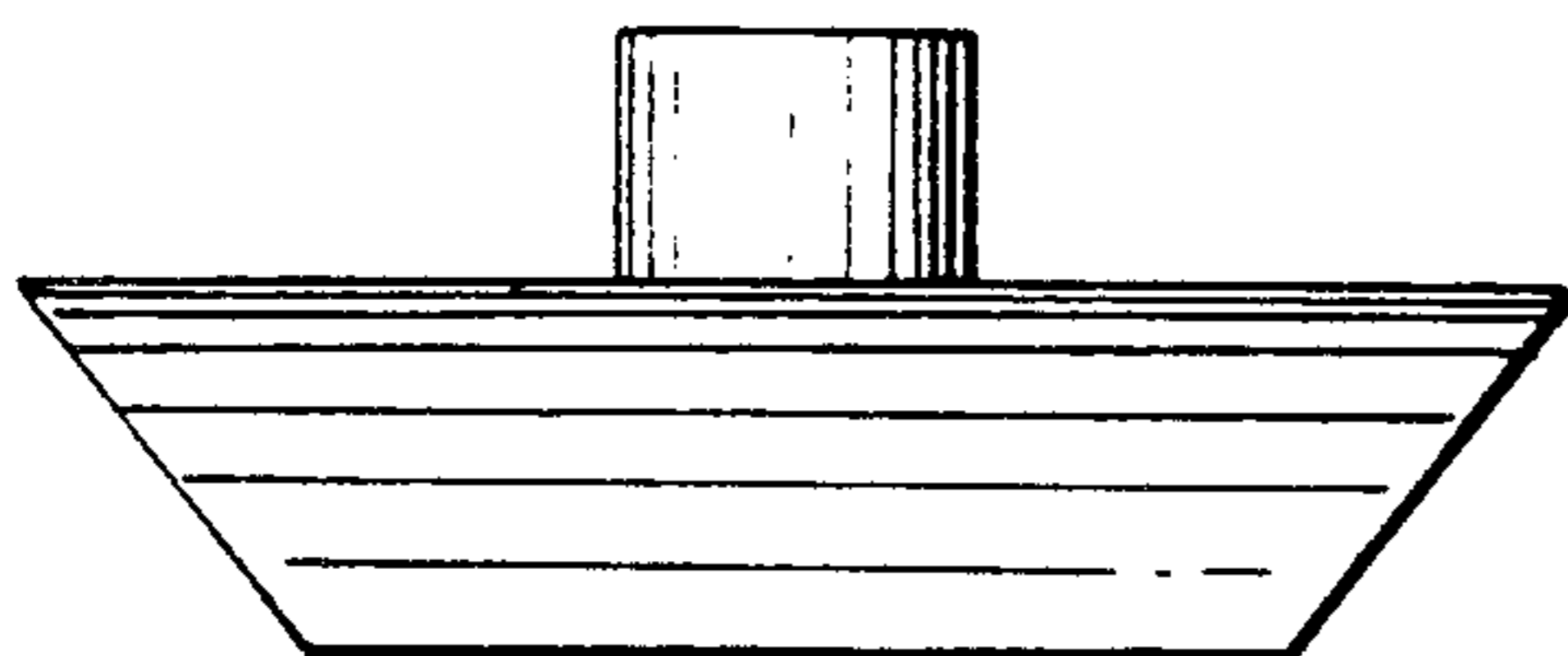


FIG. 3

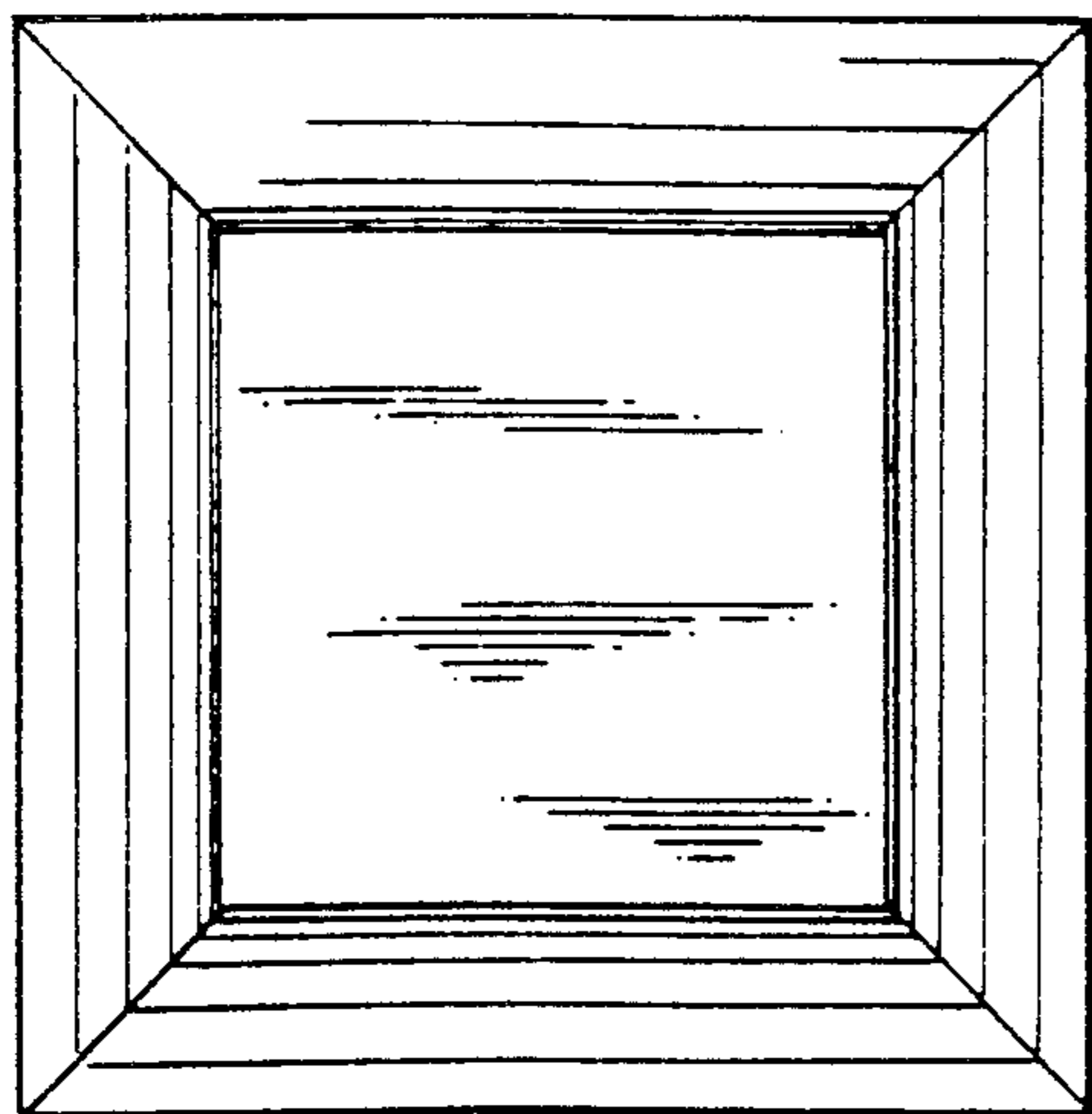


FIG. 4

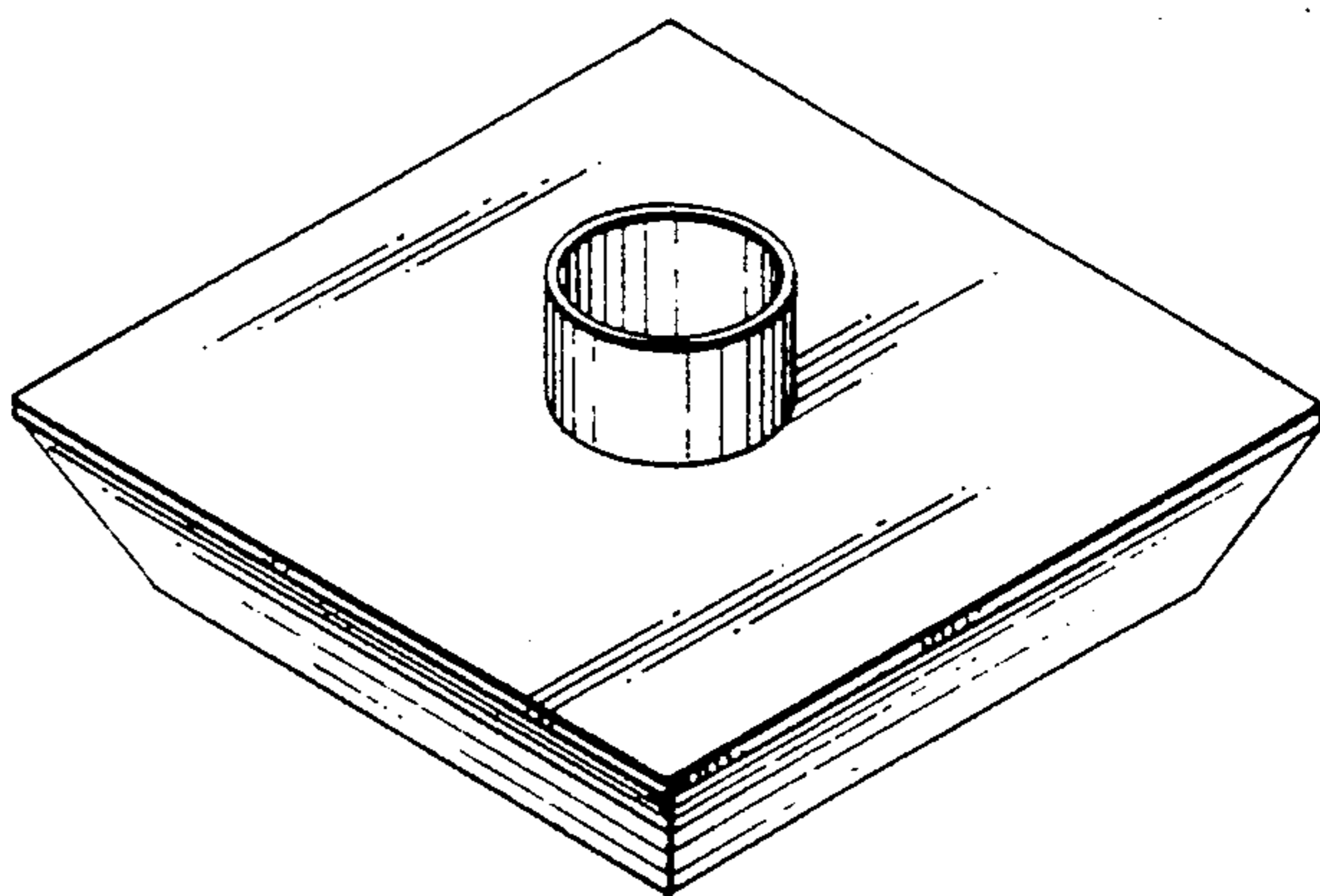


FIG. 5