



US00D326586S

United States Patent [19]

[11] Patent Number: Des. 326,586

Embree

[45] Date of Patent: ** Jun. 2, 1992

[54] INSULATED MUG

[75] Inventor: Donald Embree, Uniontown, Ohio

[73] Assignee: Rubbermaid Incorporated, Wooster, Ohio

[**] Term: 14 Years

[21] Appl. No.: 385,168

[22] Filed: Jul. 25, 1989

[52] U.S. Cl. D7/510; D7/321; D7/533

[58] Field of Search D7/536, 533, 535, 531, D7/317, 312, 316, 300, 318, 605, 608, 510, 511, 619, 622, 321, 322; 62/457.3, 457.4, 457.9; 220/90.4, 903, 85 H, 412; 215/13.1; 222/470, 484

D. 214,458 6/1969 Riley D7/510 X
 D. 253,509 11/1979 Doyel D7/608
 3,302,427 2/1967 Stoner et al. 62/457.4

OTHER PUBLICATIONS

Price Schedule, *Igloo Corporation*, P.O. Box 19322, 1001 West Belt Dr., Houston, TX 77224-9322. Publication date unknown.

Primary Examiner—Winifred E. Herrmann
Attorney, Agent, or Firm—Richard B. O'Planick

[57] CLAIM

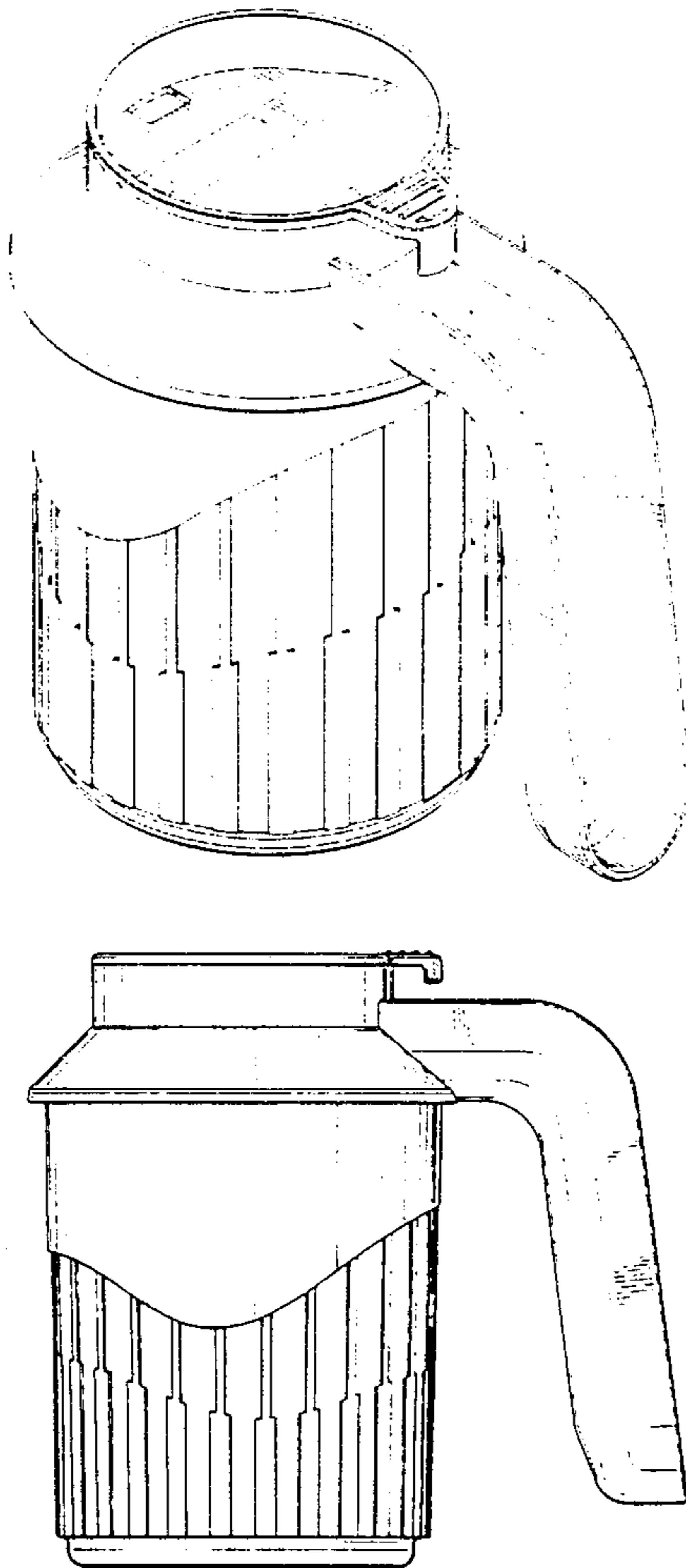
The ornamental design for an insulated mug, as shown and described.

DESCRIPTION

FIG. 1 is a front perspective view of an insulated mug embodying my new design;
 FIG. 2 is a bottom plan view thereof;
 FIG. 3 is a top plan view thereof;
 FIG. 4 is a left side elevational view thereof;
 FIG. 5 is a front elevational view thereof; the rear elevational view being a mirror image; and
 FIG. 6 is a right side elevational view thereof.

[56] **References Cited**
U.S. PATENT DOCUMENTS

D. 87,606	8/1932	Thomas	D7/535
D. 97,103	10/1935	Spence	D7/531
D. 189,714	2/1961	Ebstein	D7/317 X
D. 197,312	1/1964	Kulow	D9/429



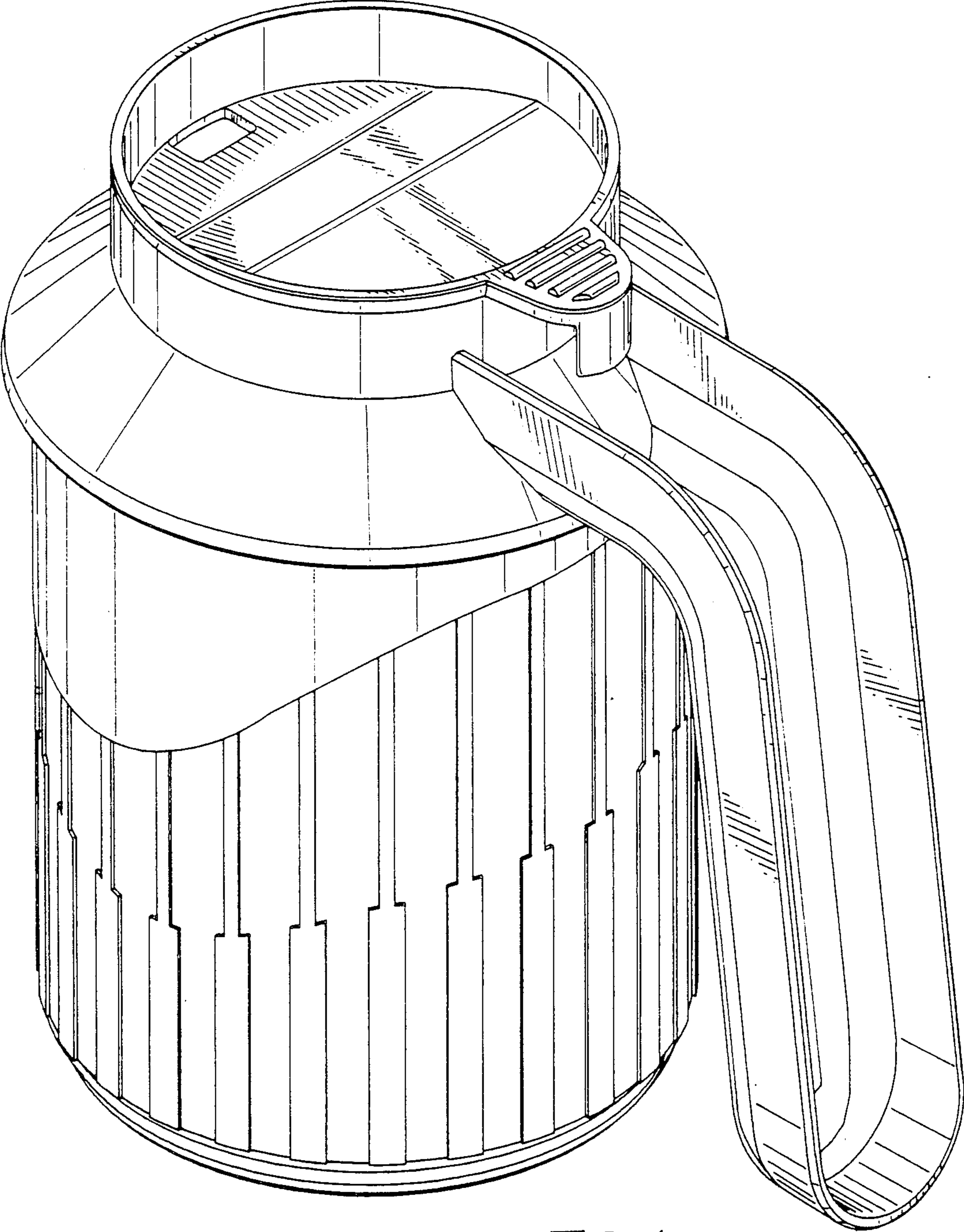


FIG. 1

FIG. 2

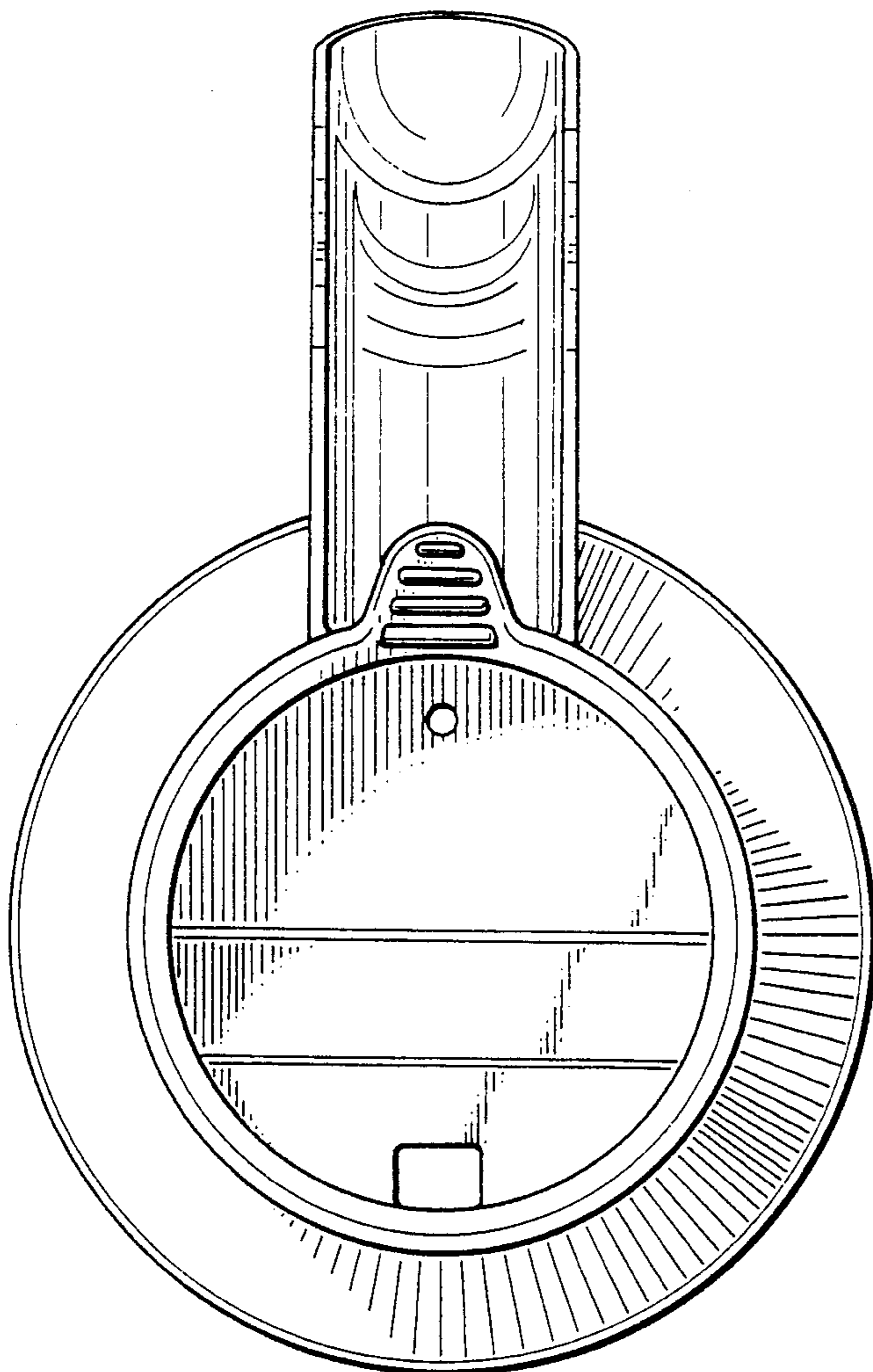
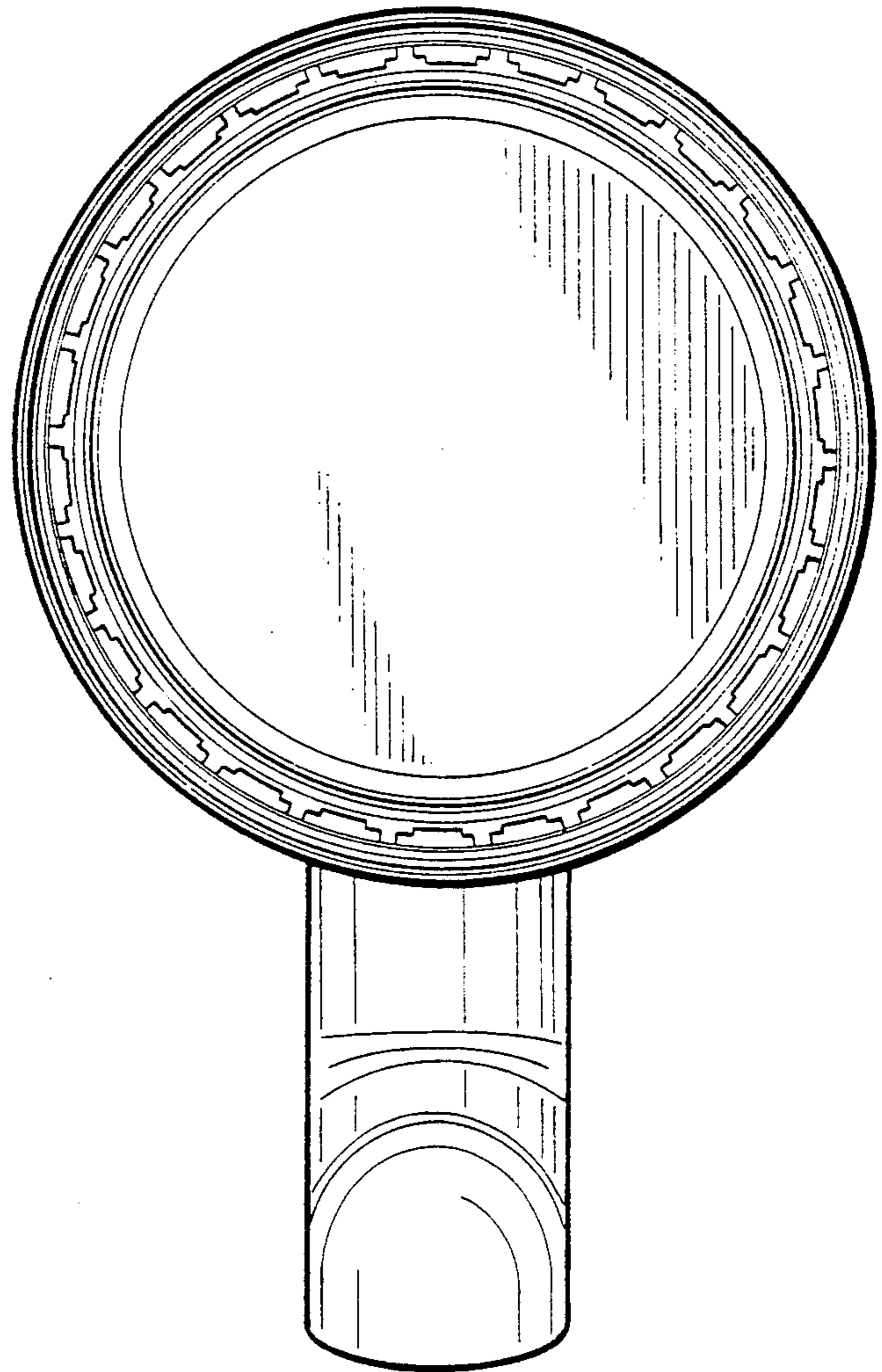


FIG. 3

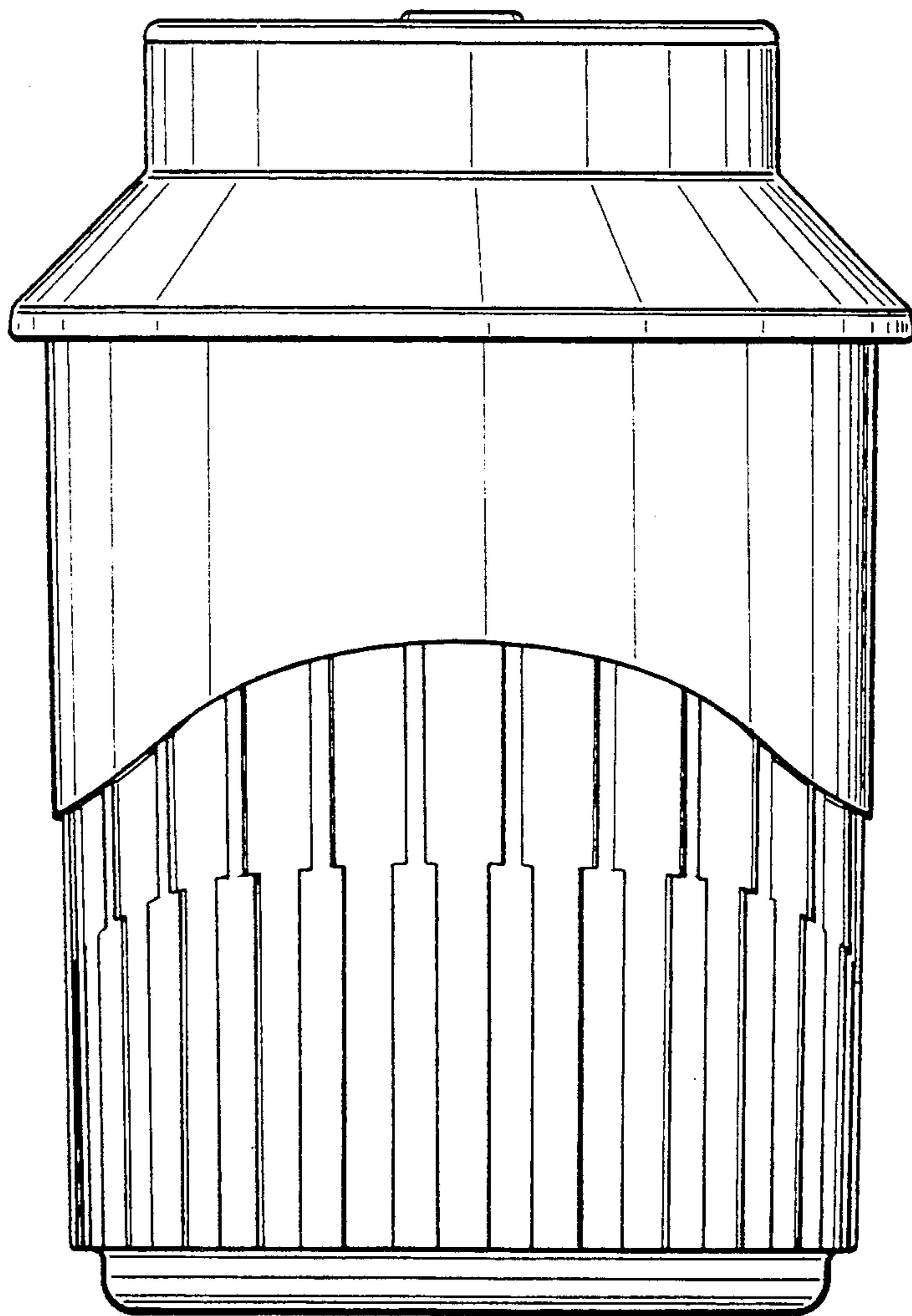


FIG. 4

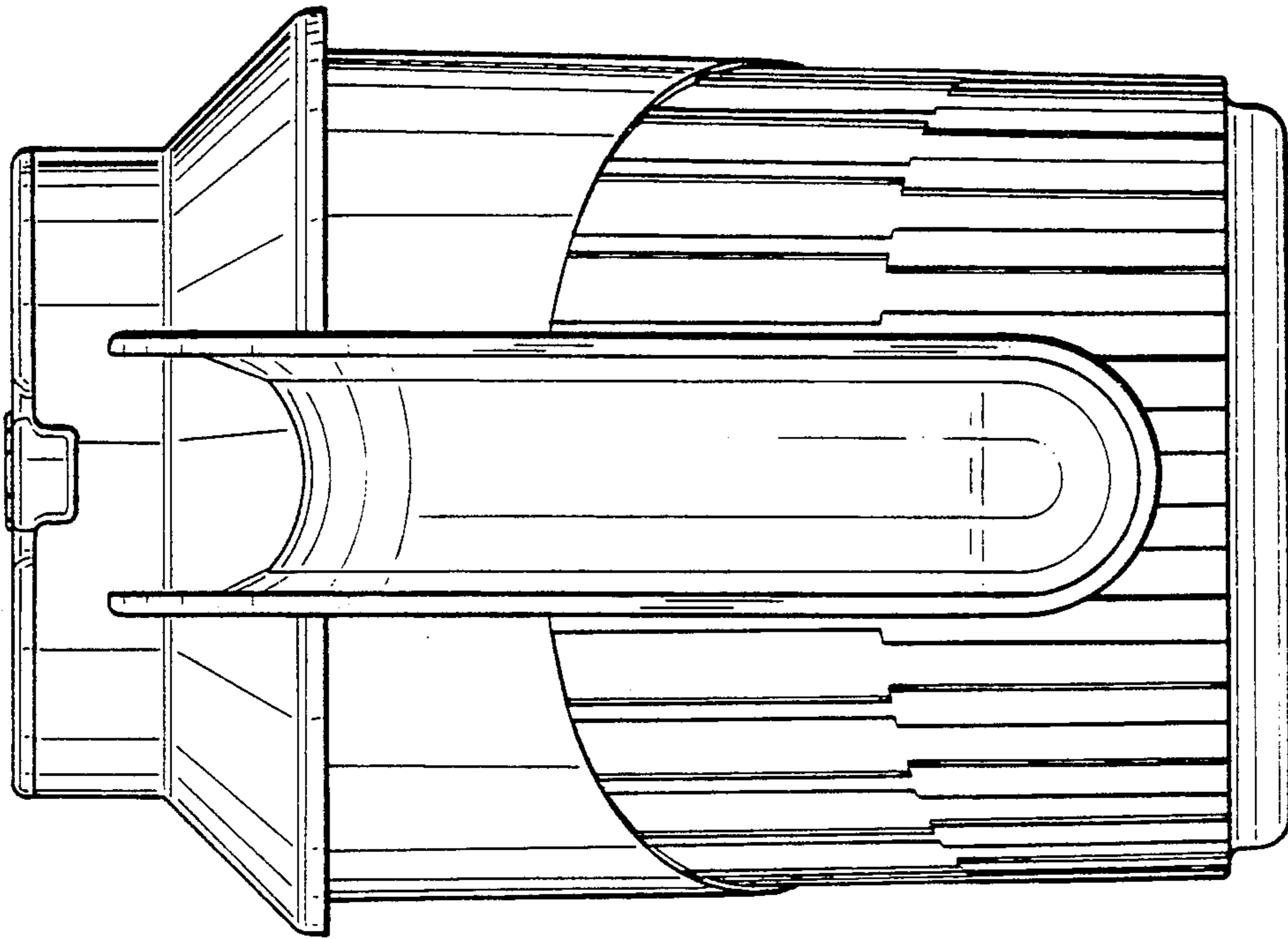


FIG. 6

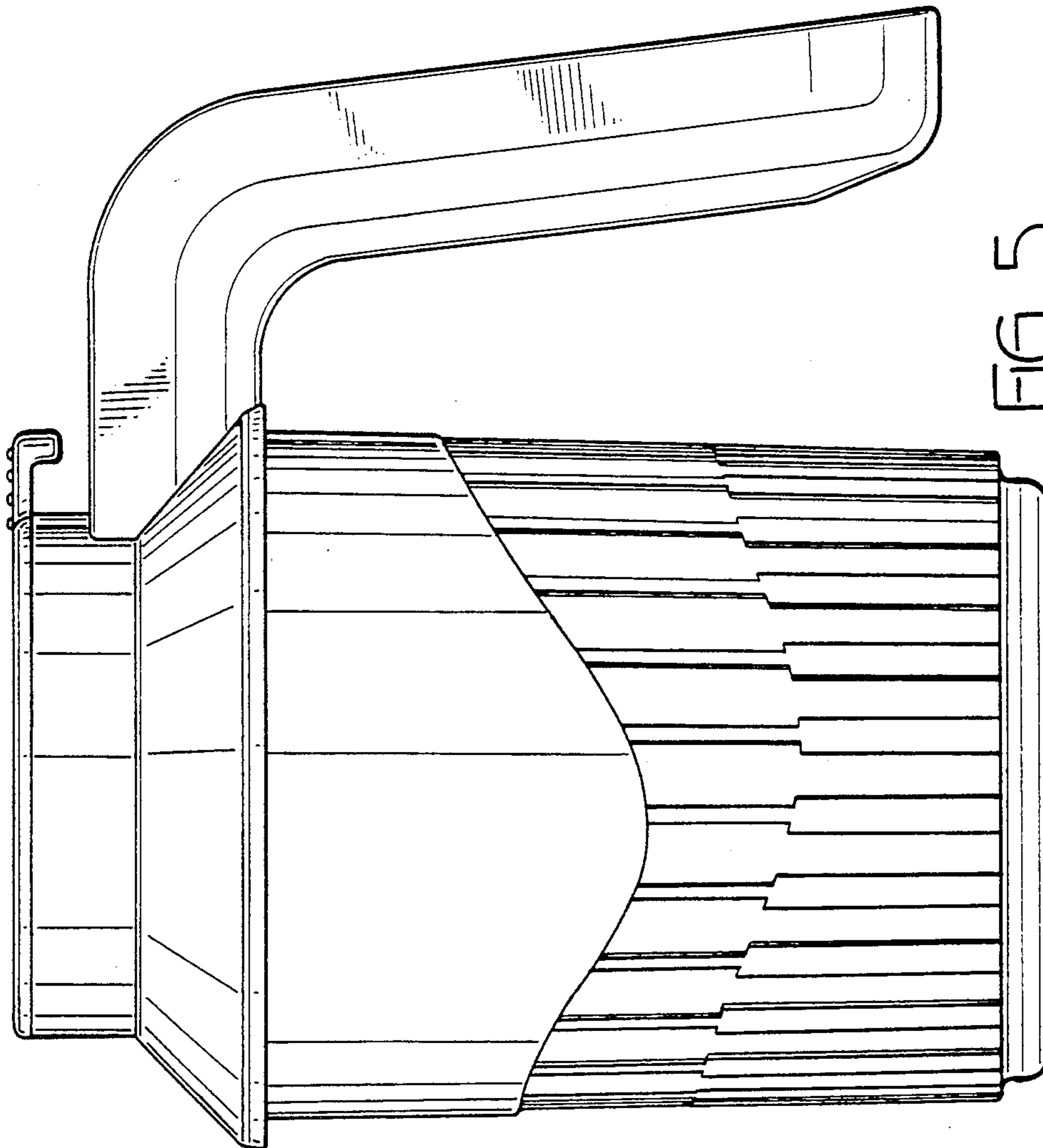


FIG. 5