



US00D326585S

United States Patent [19]

van Asten

[11] Patent Number: **Des. 326,585**

[45] Date of Patent: **** Jun. 2, 1992**

[54] **HOUSING FOR A HAND HELD MIXER**

[75] Inventor: **Jan F. van Asten, Klagenfurt, Austria**

[73] Assignee: **U.S. Philips Corporation, New York, N.Y.**

[**] Term: **14 Years**

[21] Appl. No.: **375,062**

[22] Filed: **Jun. 30, 1989**

[30] **Foreign Application Priority Data**

Jan. 30, 1989 [WO] World Int. Prop. O. ... DM/012.705

[52] U.S. Cl. **D7/379; D7/376**

[58] Field of Search **D7/379-380, D7/413; 366/129, 130, 197, 199, 204, 205, 314**

[56] **References Cited**

U.S. PATENT DOCUMENTS

- D. 175,263 8/1955 Lambert D7/379
- D. 263,671 4/1982 Chan D7/379

- D. 291,767 9/1987 Osit D7/376 X
- D. 303,065 8/1989 Tsuji D7/379

OTHER PUBLICATIONS

Design Magazine, Aug. 1979; p. 54.

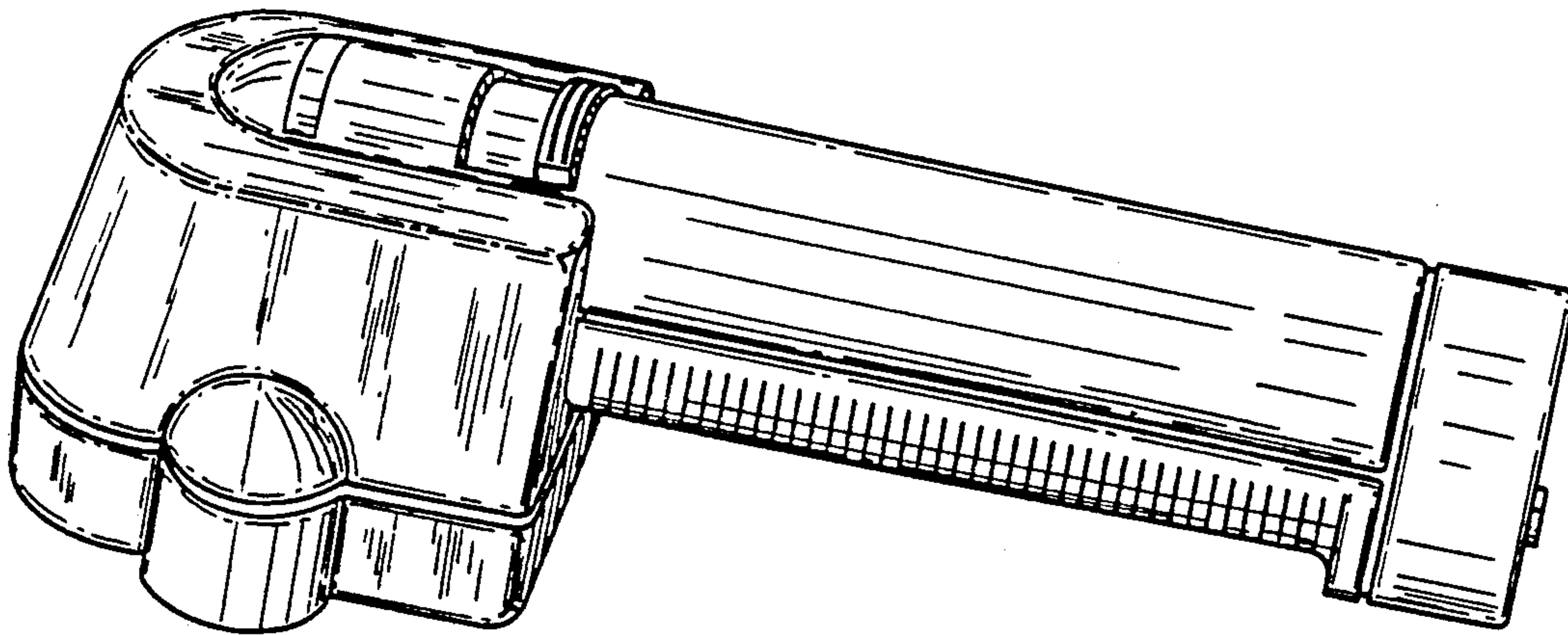
Primary Examiner—Nelson C. Holtje
Assistant Examiner—Caron D. Veynar
Attorney, Agent, or Firm—Jack E. Haken

[57] **CLAIM**

The ornamental design for a housing for a hand held mixer, as shown.

DESCRIPTION

FIG. 1 is a right and top perspective view of a housing for a hand held mixer showing my new design; FIG. 2 is a right side elevational view thereof; FIG. 3 is a left side elevational view thereof; FIG. 4 is a front elevational view thereof; FIG. 5 is a rear elevational view thereof; FIG. 6 is a top plan view thereof; and, FIG. 7 is a bottom plan view thereof.



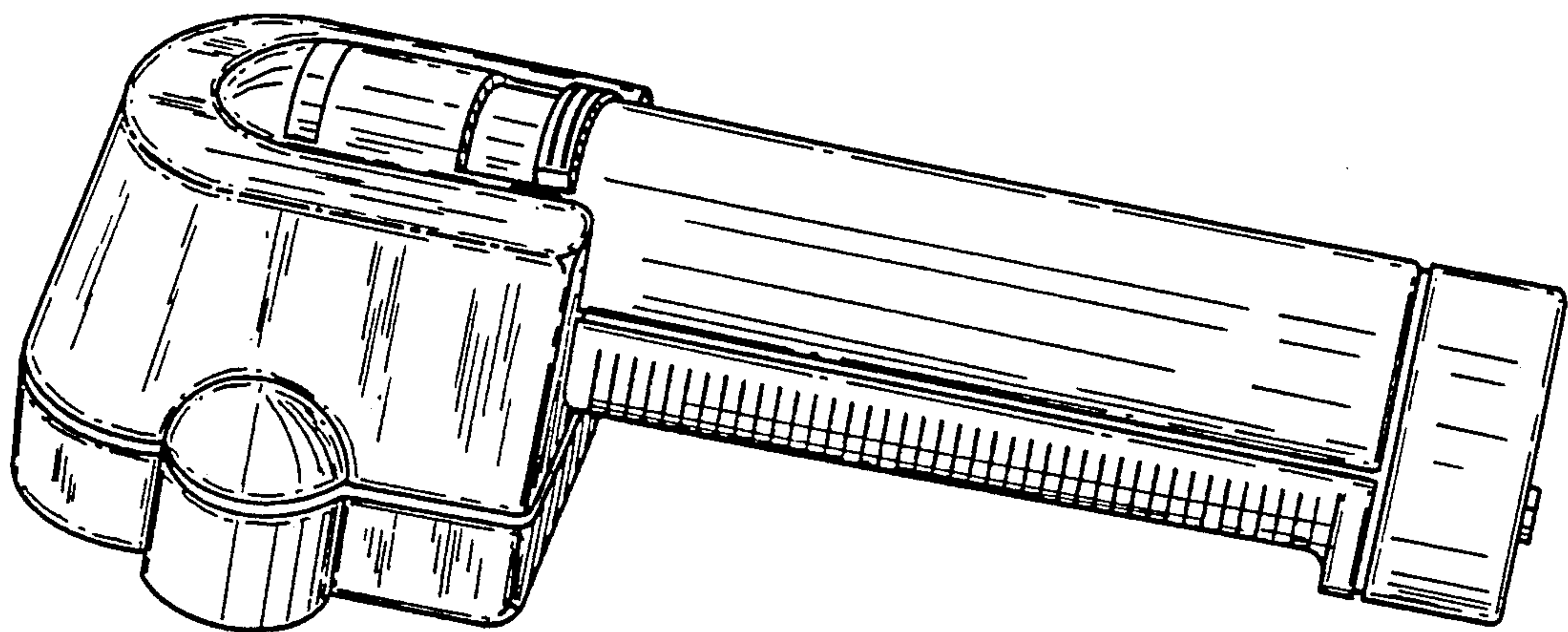


FIG. 1

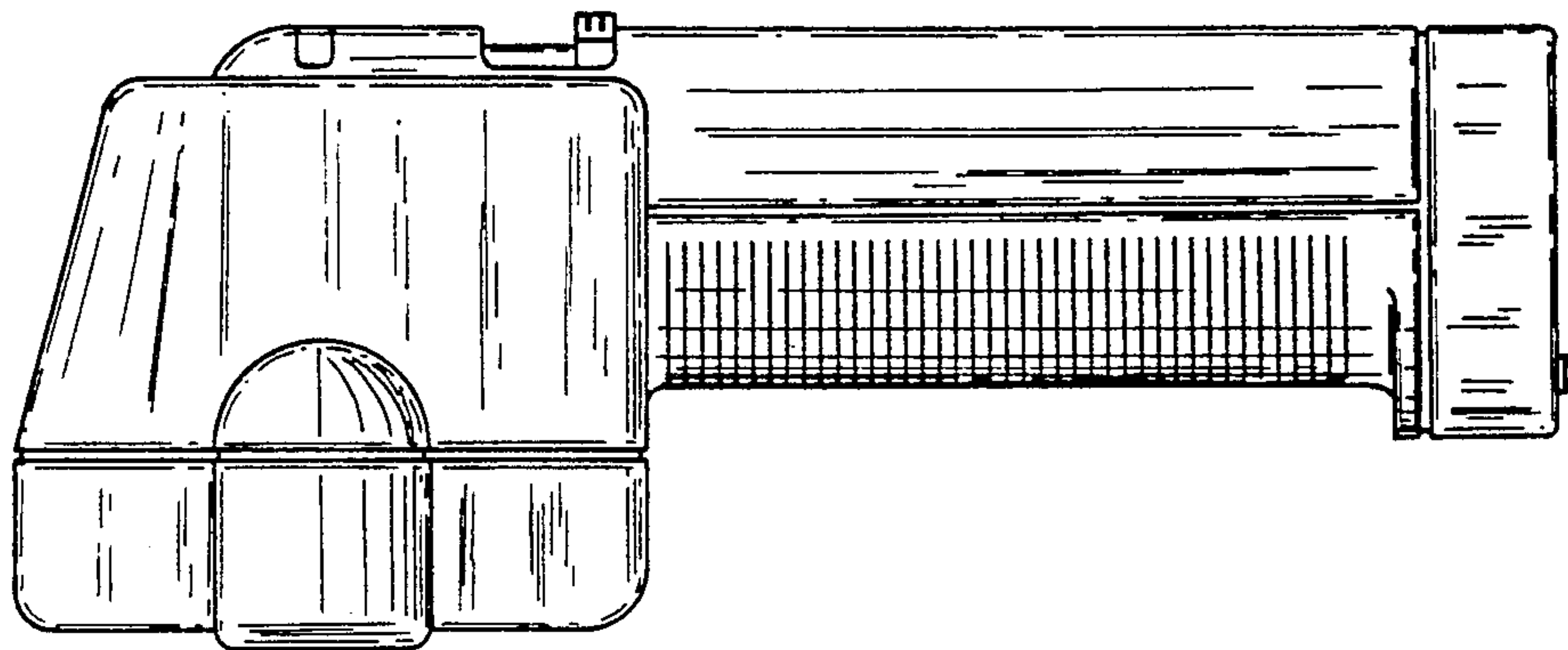


FIG. 2

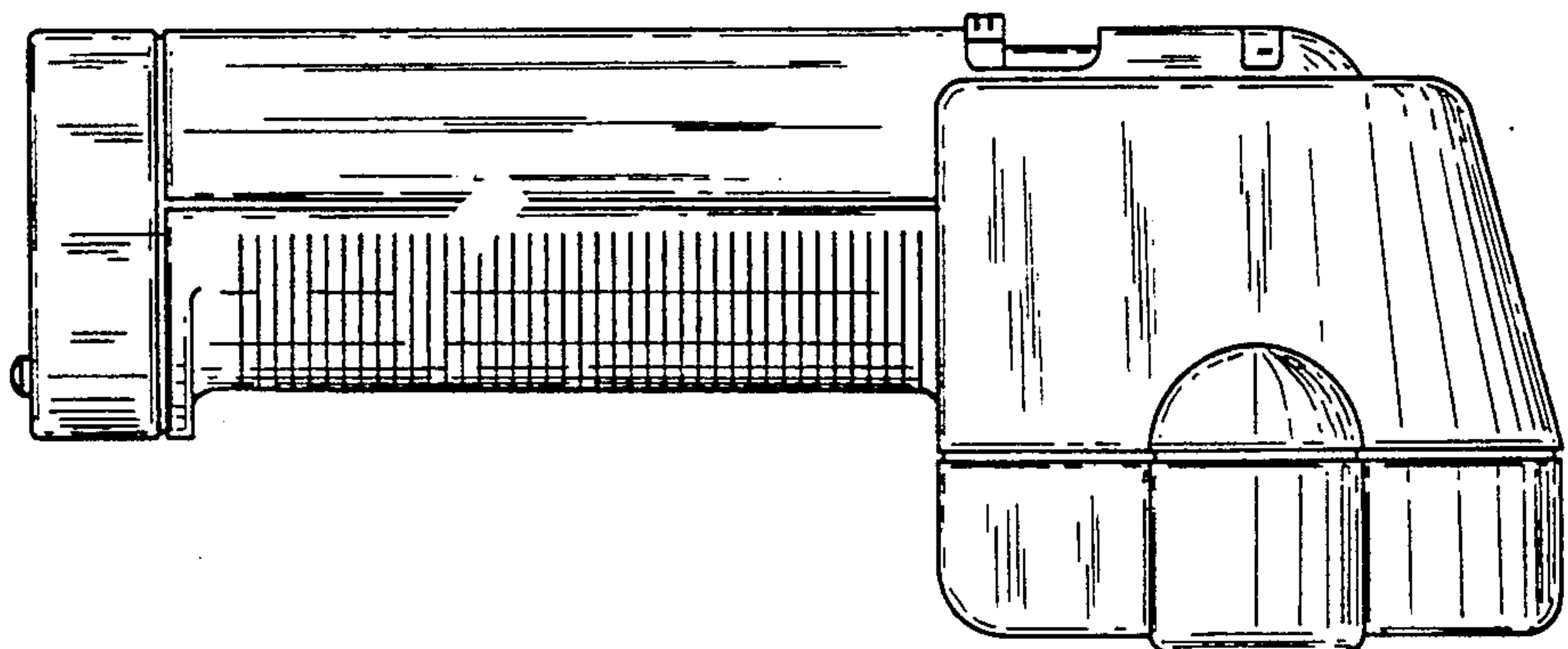


FIG. 3

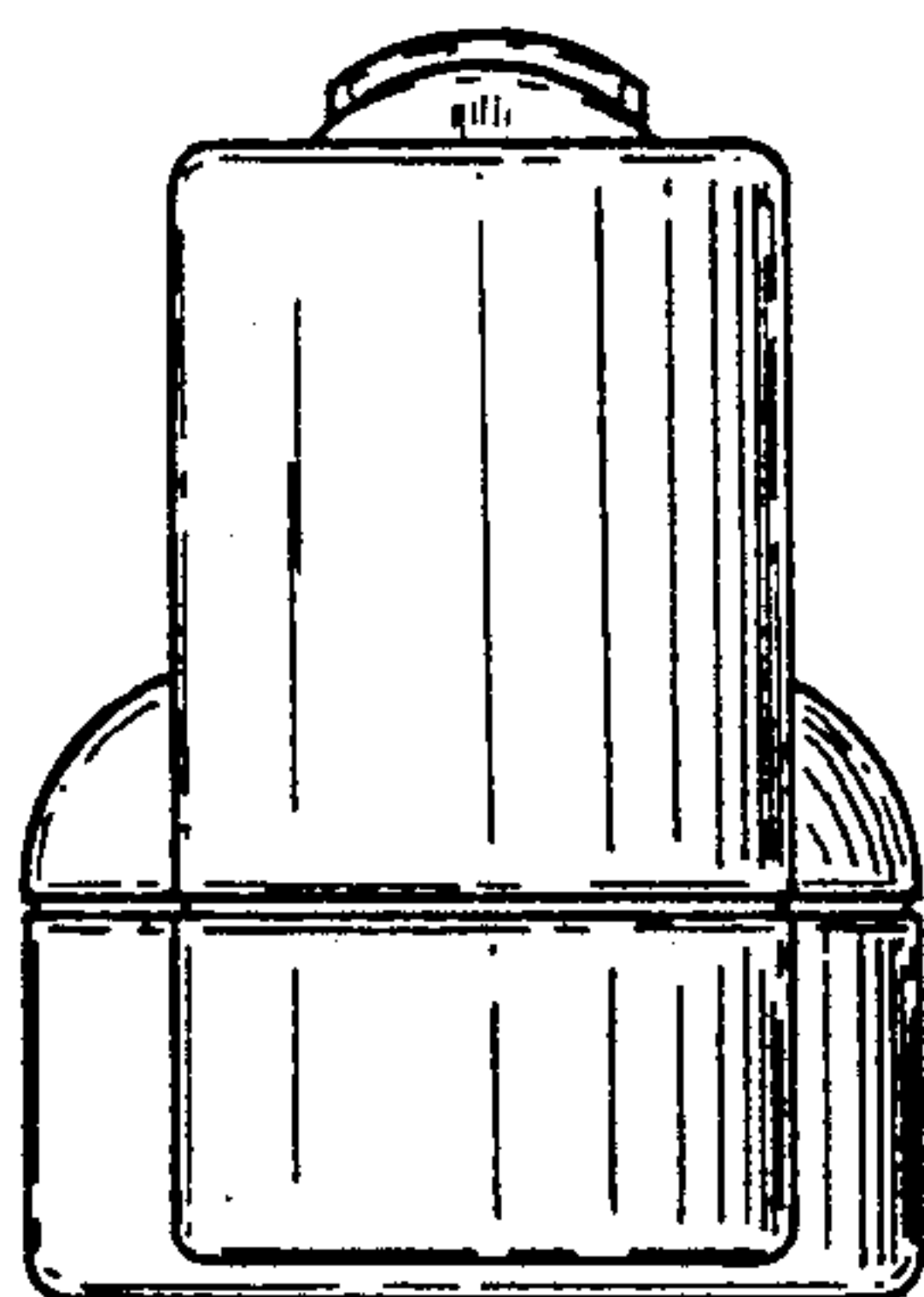


FIG. 4

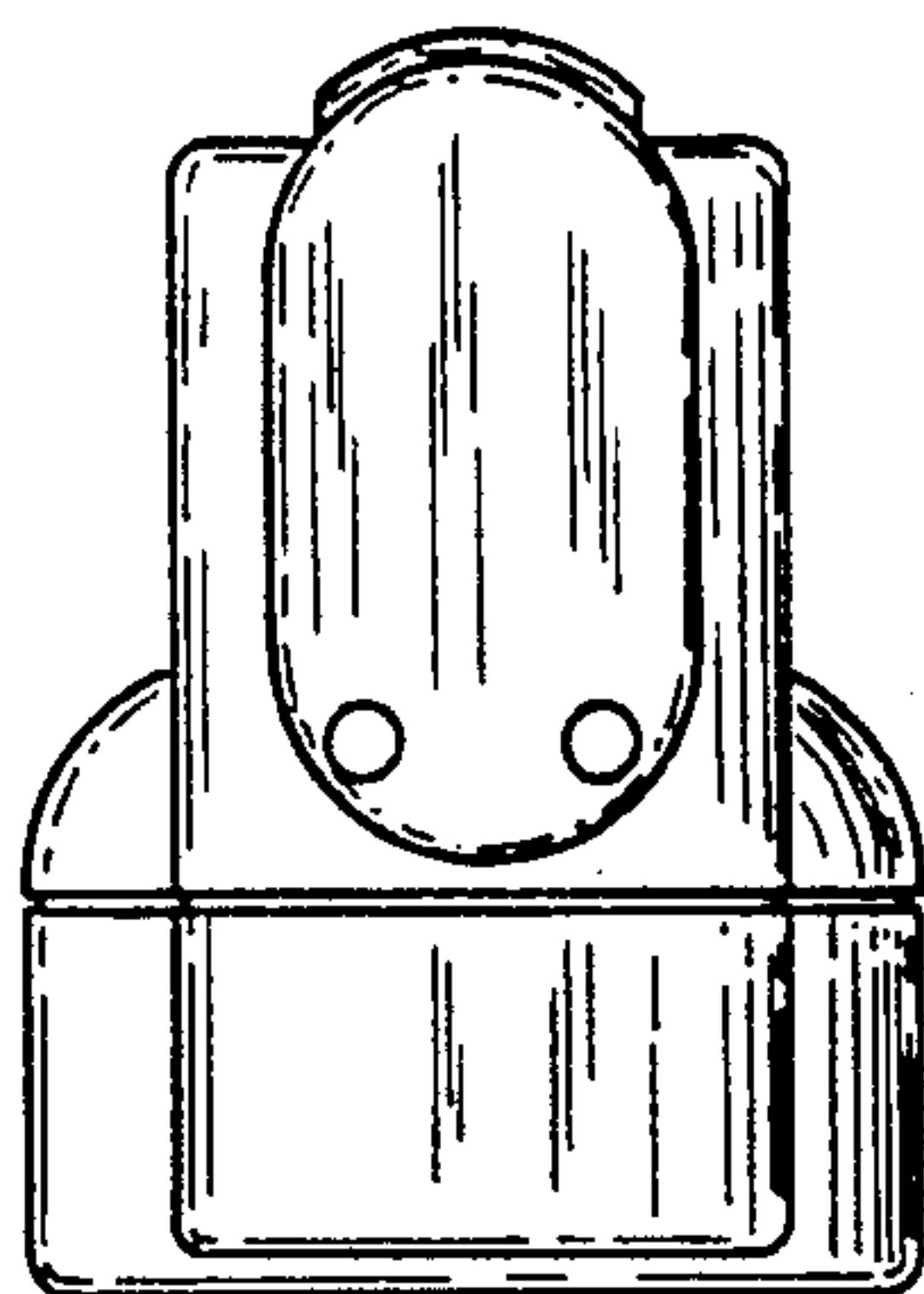


FIG. 5

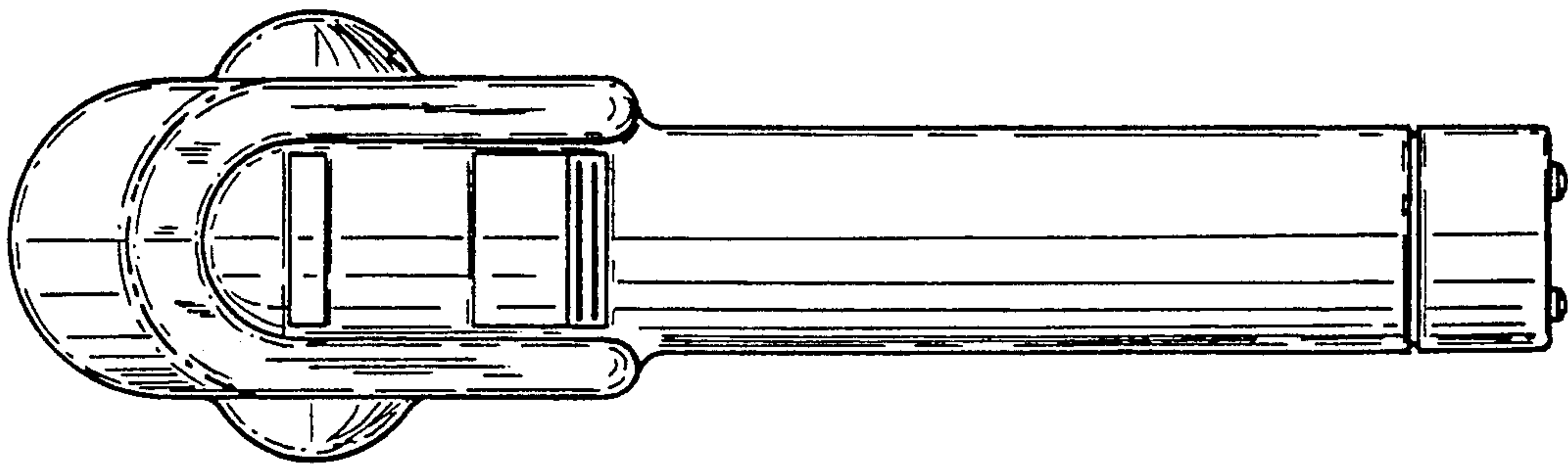


FIG. 6

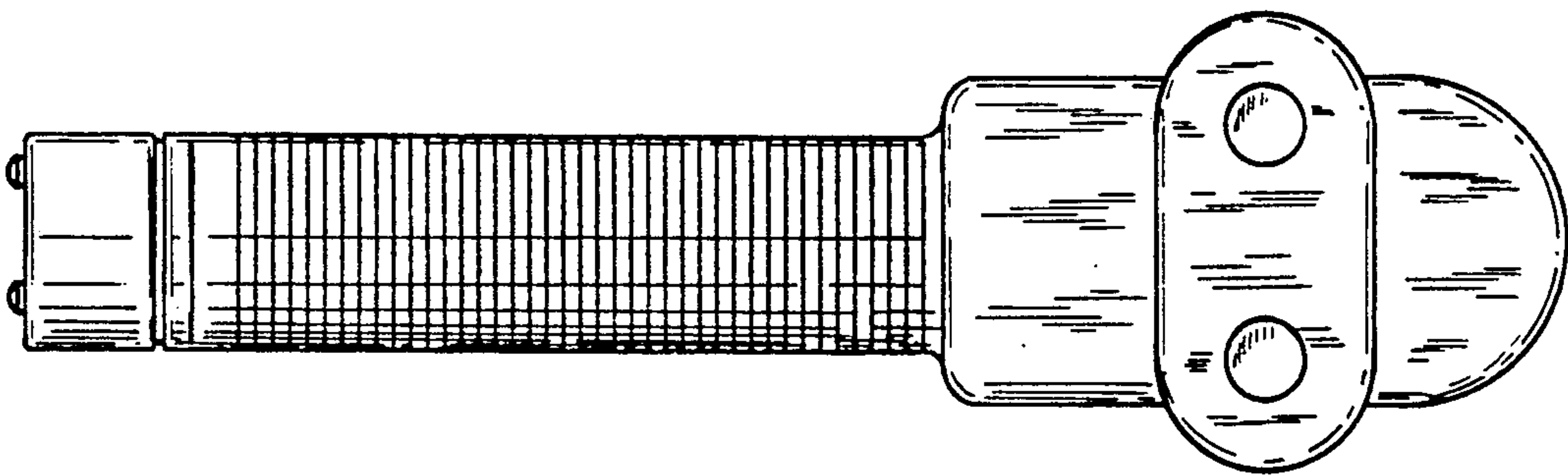


FIG. 7