



US00D326583S

United States Patent [19]

[11] Patent Number: Des. 326,583

Lutter et al.

[45] Date of Patent: ** Jun. 2, 1992

[54] PORTABLE GRILL

4,498,452 2/1985 Schlosser et al. 126/25 R X

[76] Inventors: Jon G. Lutter, 15065 Bowden Ave., Morgan Hill, Calif. 95037; Donald L. Matlock, 12285 Heritage Way, Gilroy, Calif. 95020

Primary Examiner—A. Hugo Word
Assistant Examiner—Doris V. Coles
Attorney, Agent, or Firm—H. Gordon Shields

[**] Term: 14 Years

[57] CLAIM

The ornamental design for a portable grill, as shown and described.

[21] Appl. No.: 359,437

[22] Filed: May 31, 1989

[52] U.S. Cl. D7/332

[58] Field of Search D7/332-337,
D7/402; 2/246; D29/12, 15; 126/25 R, 25 A, 9
R, 38; 248/165, 146, 150, 152

DESCRIPTION

FIG. 1 is a left side elevational view of a portable grill showing our new design, the right side being a mirror image thereof;

FIG. 2 is a front elevational view thereof;

FIG. 3 is a rear elevational view thereof;

FIG. 4 is a top plan view thereof;

FIG. 5 is a bottom plan view thereof;

FIG. 6 is a perspective view of a second embodiment;

FIG. 7 is a right side elevational view the left side being a mirror image thereof;

FIG. 8 is a top plan view thereof;

FIG. 9 is a bottom plan view thereof;

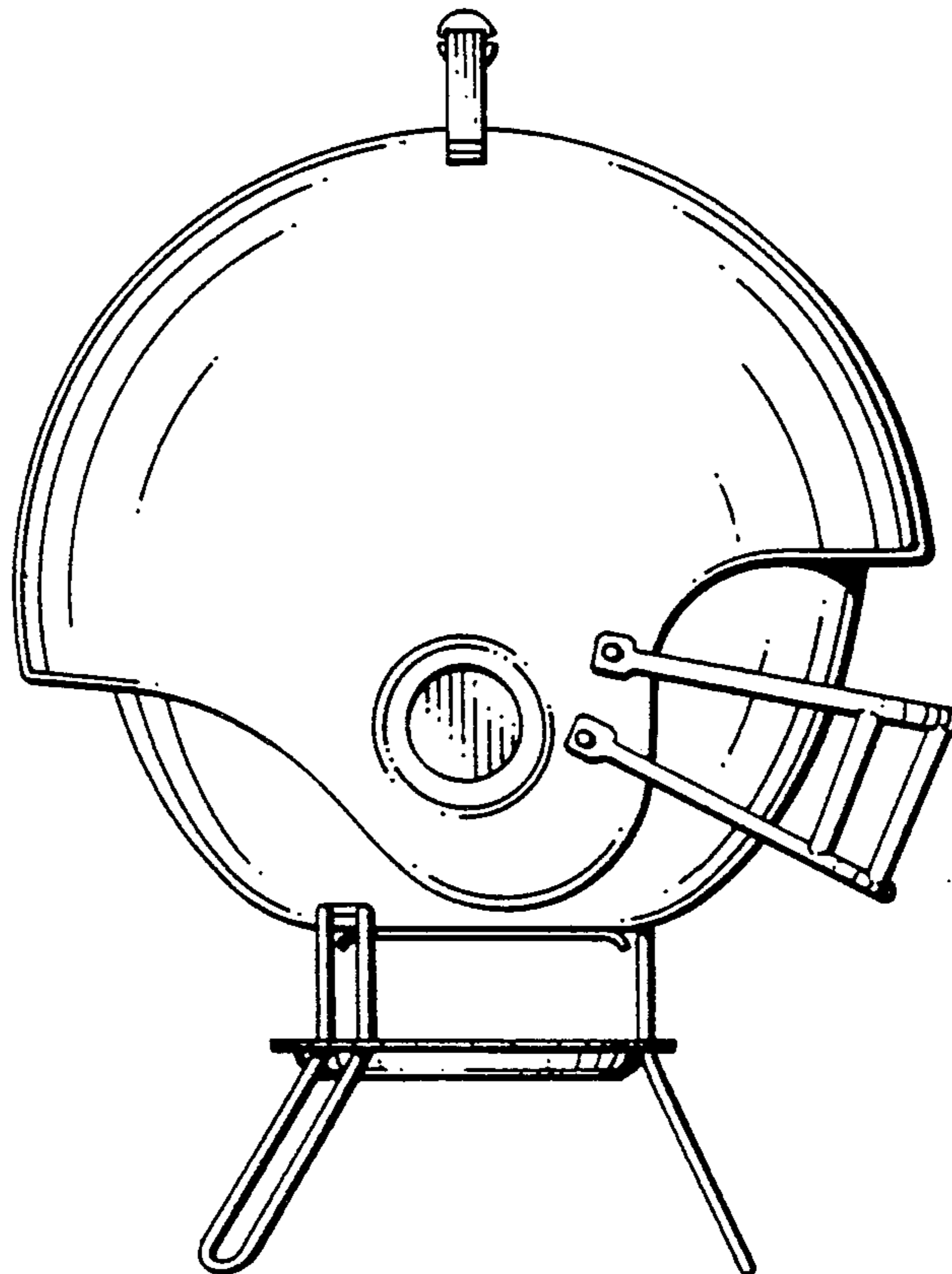
FIG. 10 is a front elevational view in which the lower half of the grill kettle has been broken away for the convenience of and illustration; and,

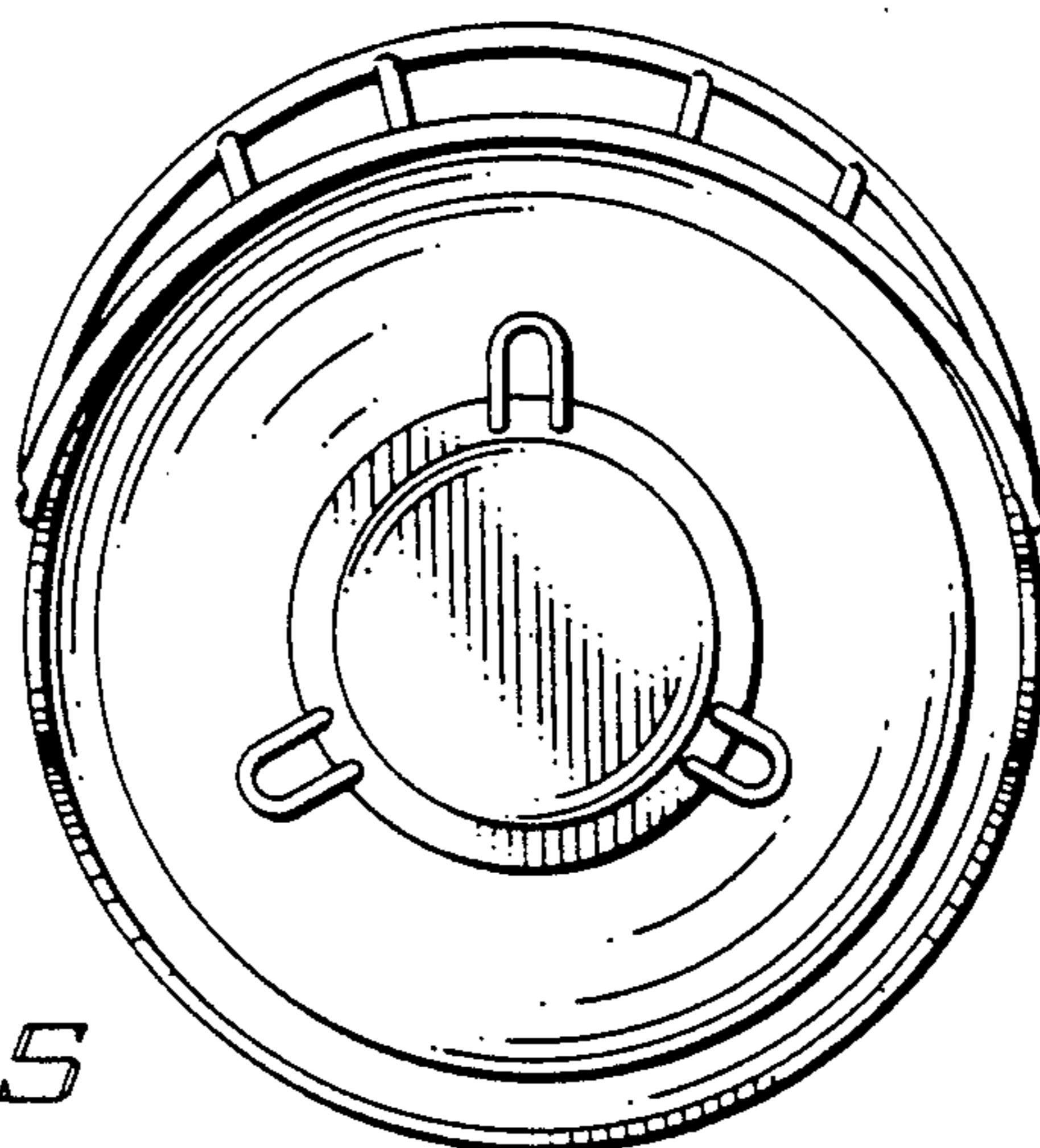
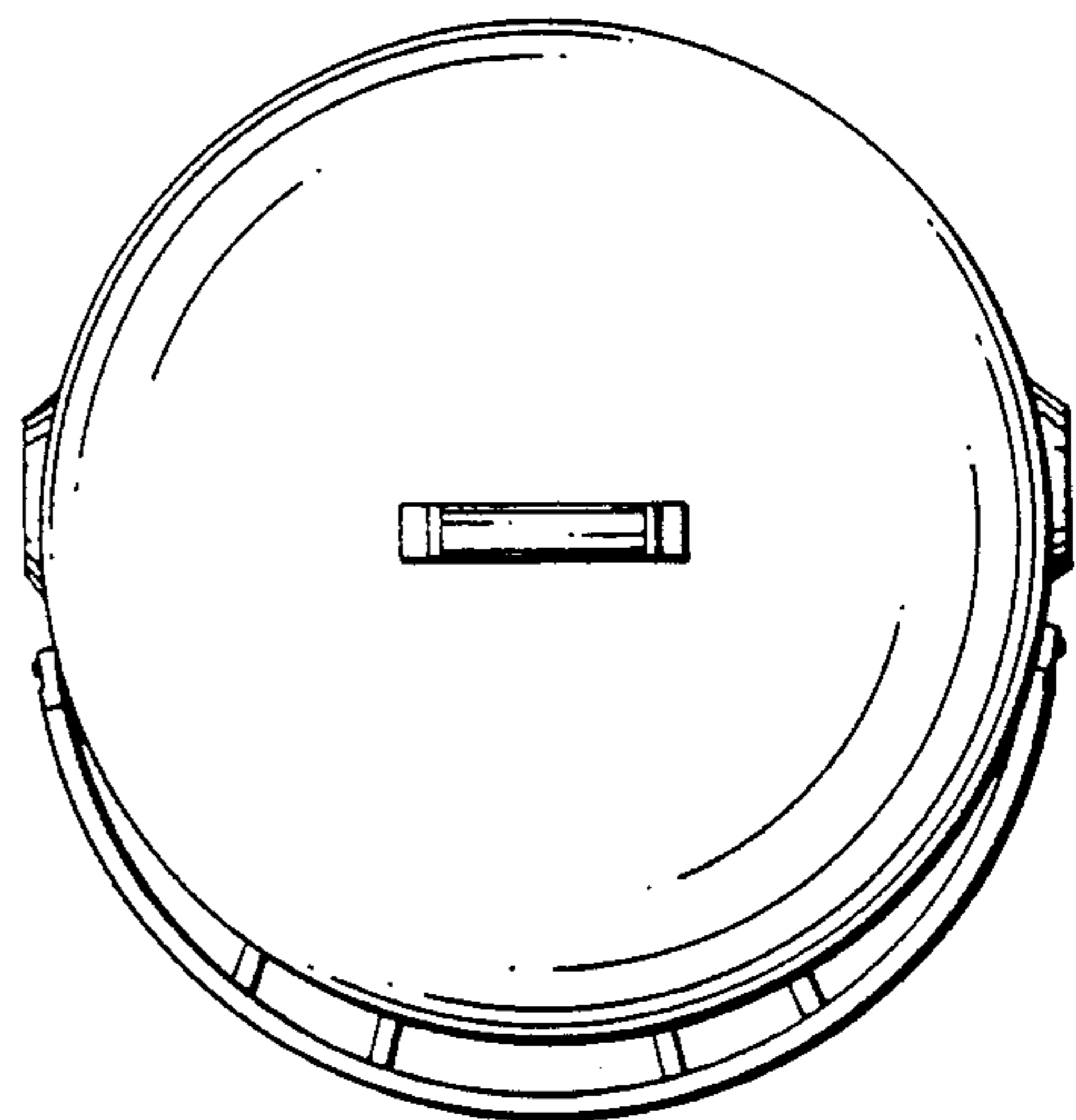
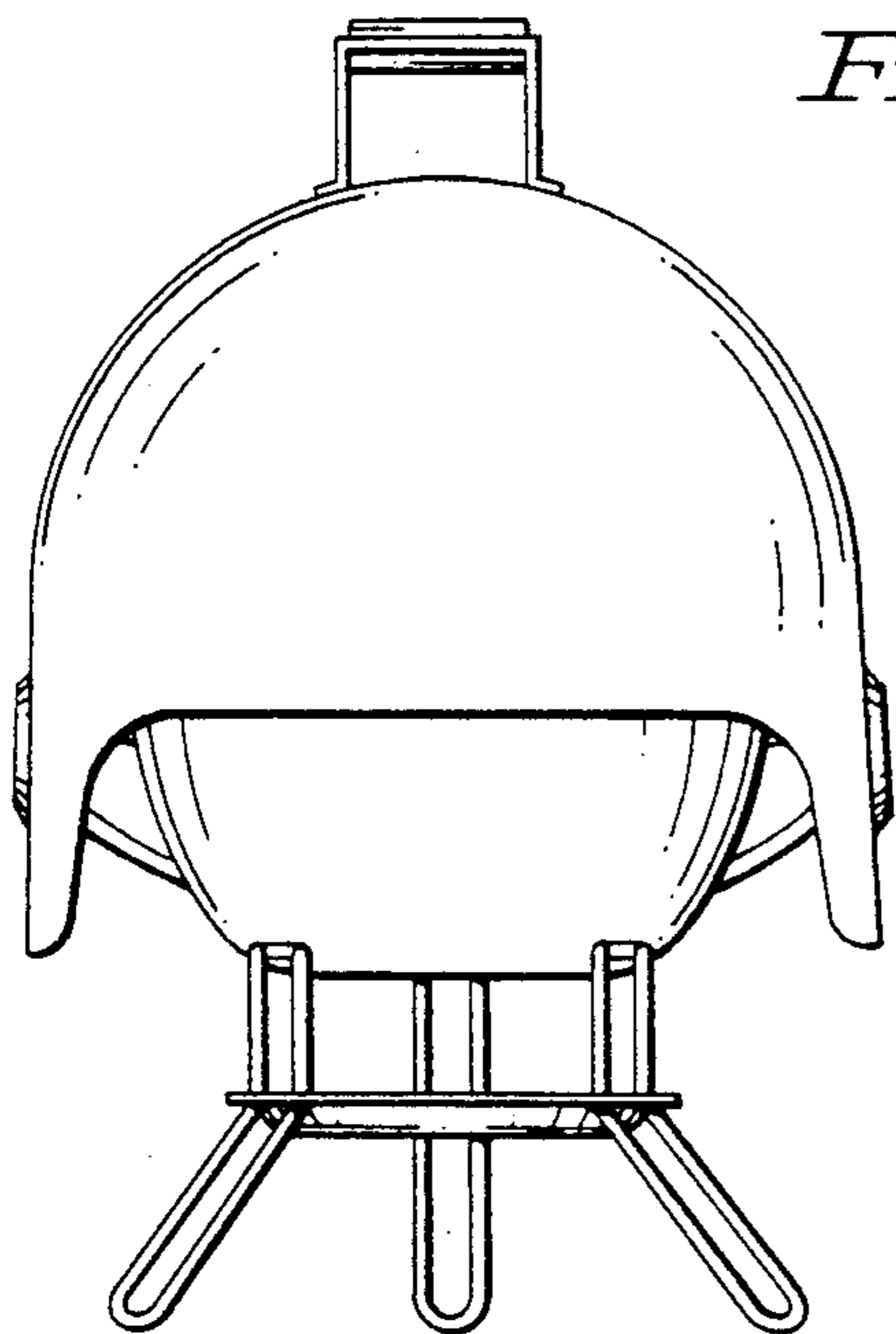
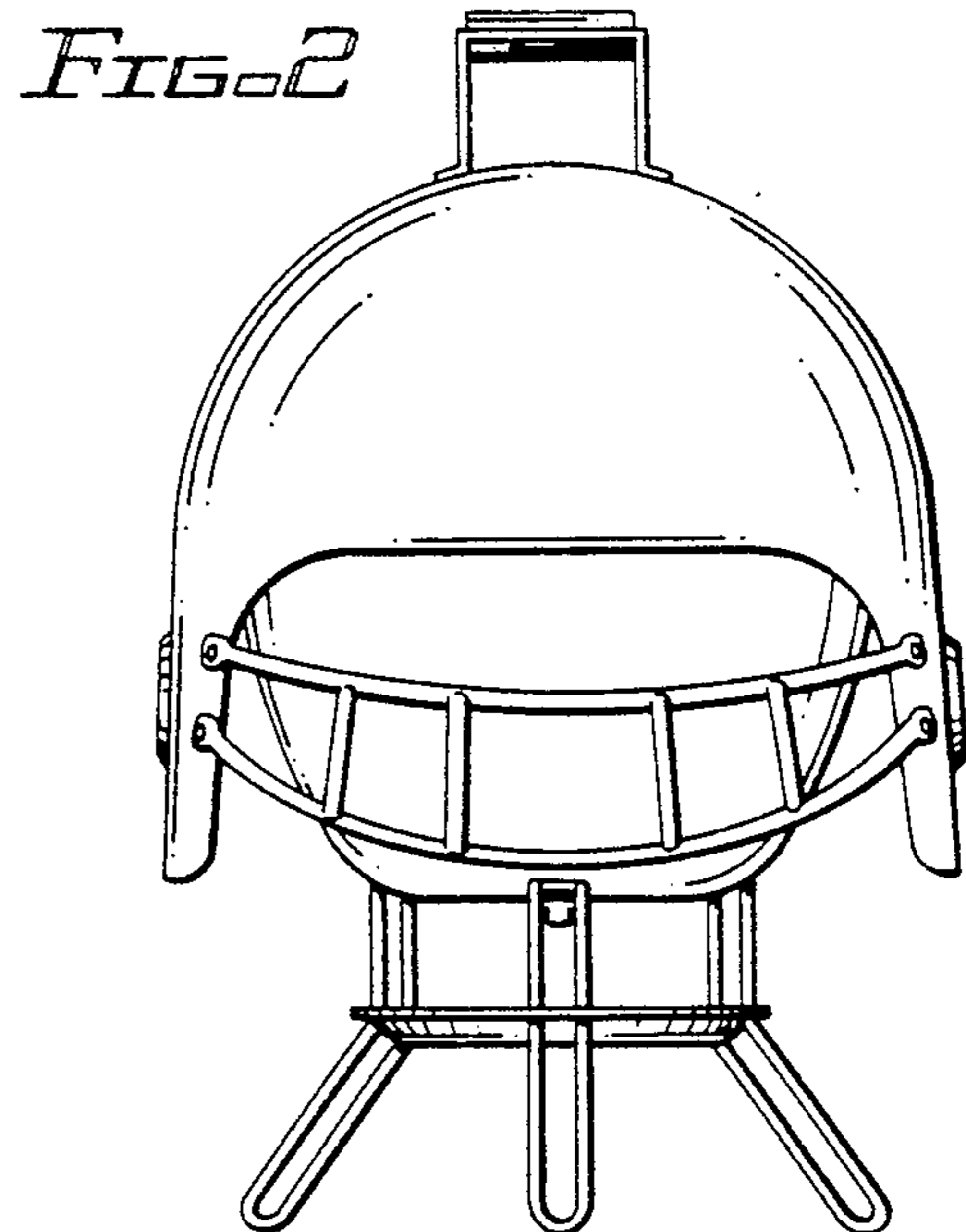
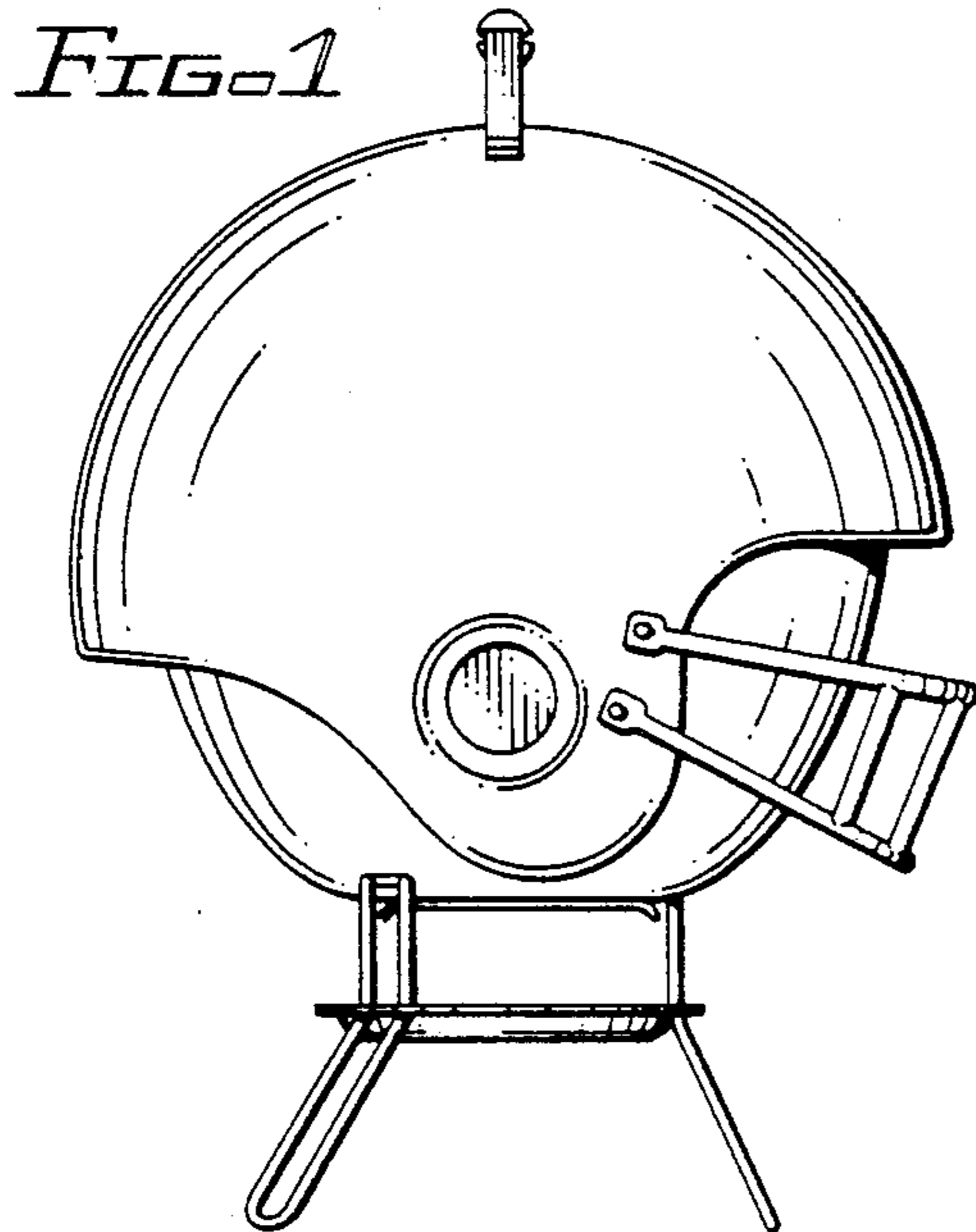
FIG. 11 is a rear elevational view thereof.

[56] References Cited

U.S. PATENT DOCUMENTS

D. 270,606	9/1983	McCrary et al.	D7/334
D. 284,929	8/1986	Schlosser et al.	D7/332
D. 293,191	12/1987	Stephen et al.	D7/332
D. 311,266	10/1990	Parker	D2/244
D. 312,746	12/1990	Lutter	D7/337
943,569	12/1909	Scamardi	D7/337 X
1,544,651	7/1925	Klinert	D7/337
3,283,336	11/1966	Critser	D29/15 X
4,370,759	2/1983	Zide	D29/15 X





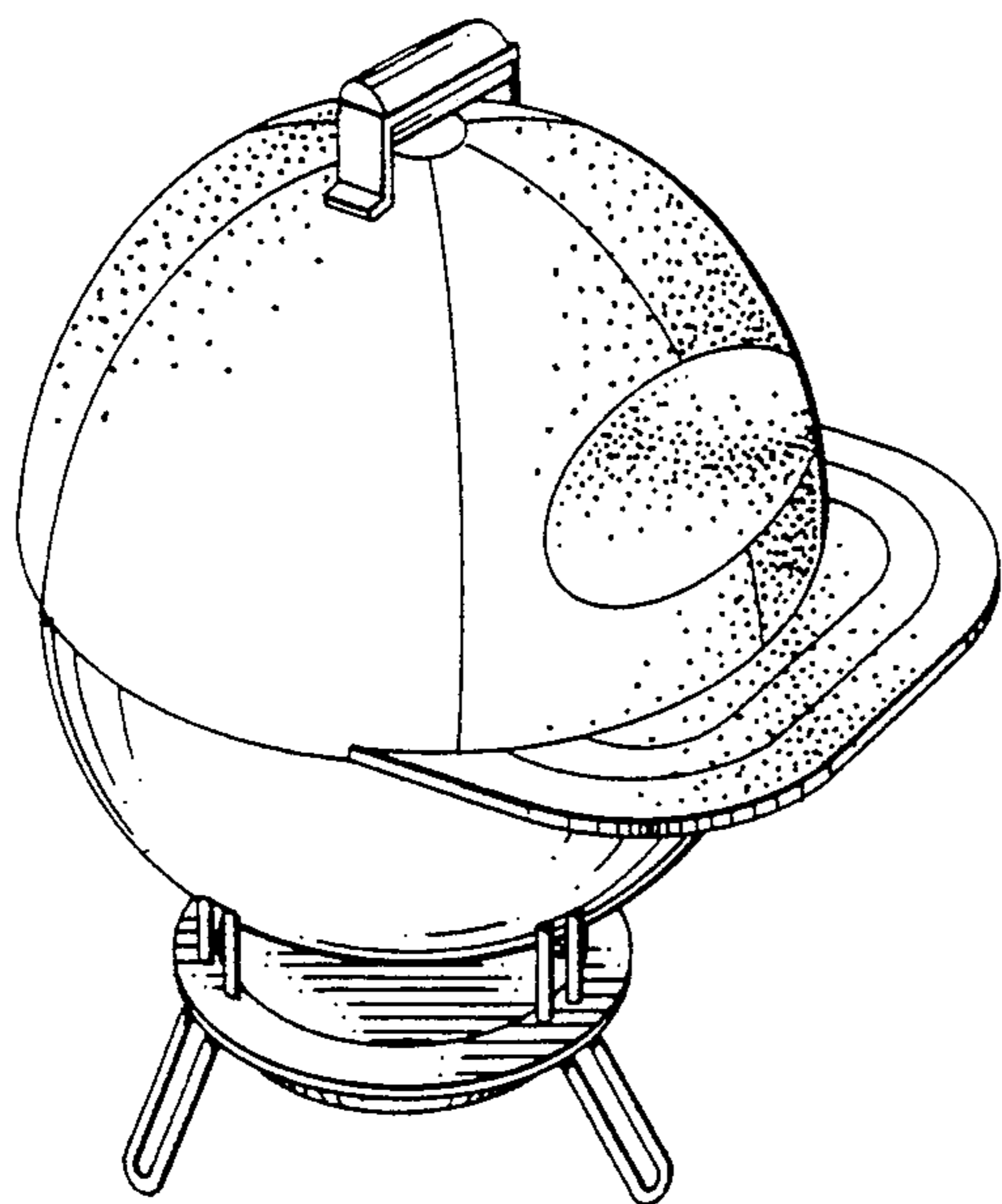


FIG. 6

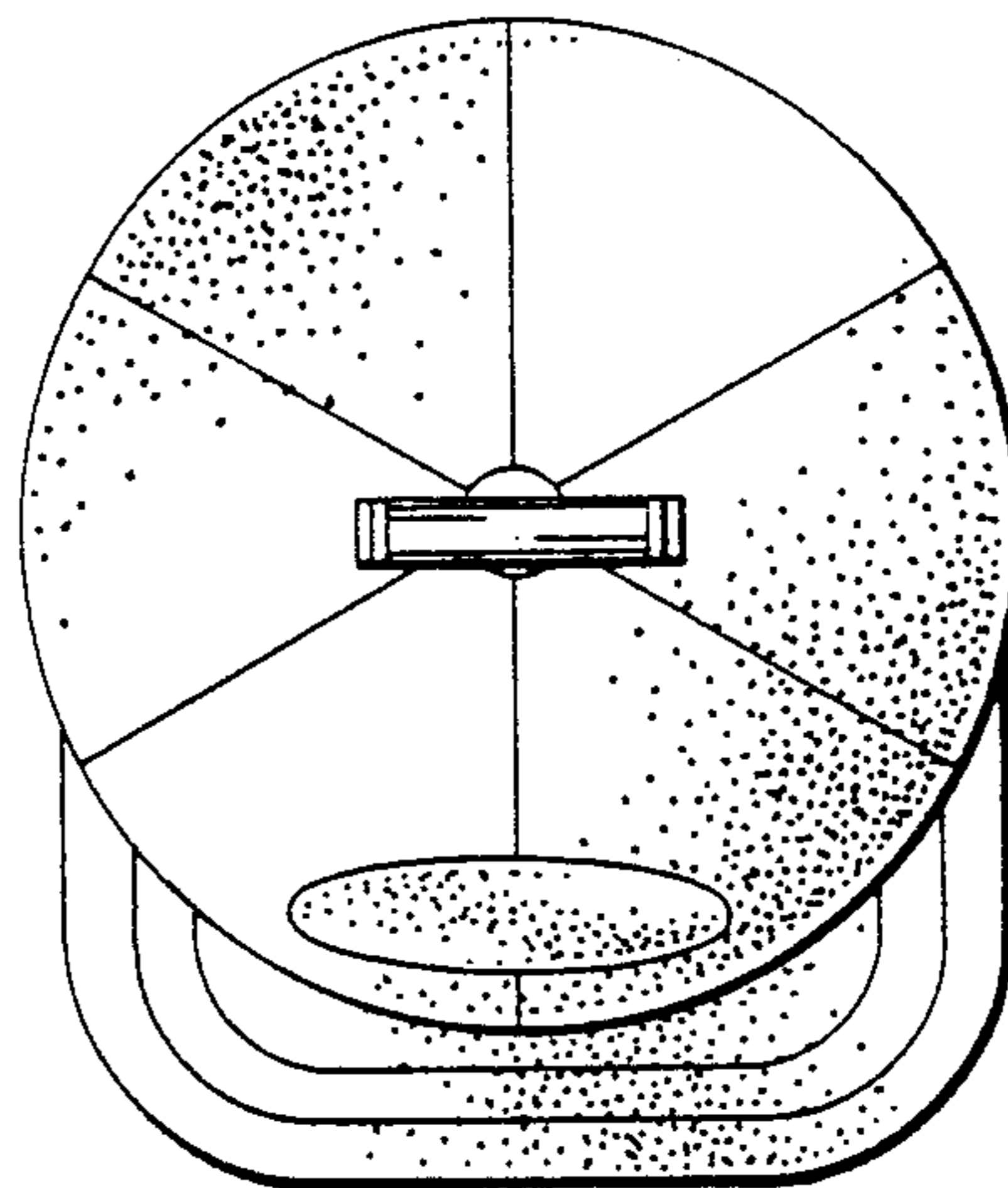


FIG. 8

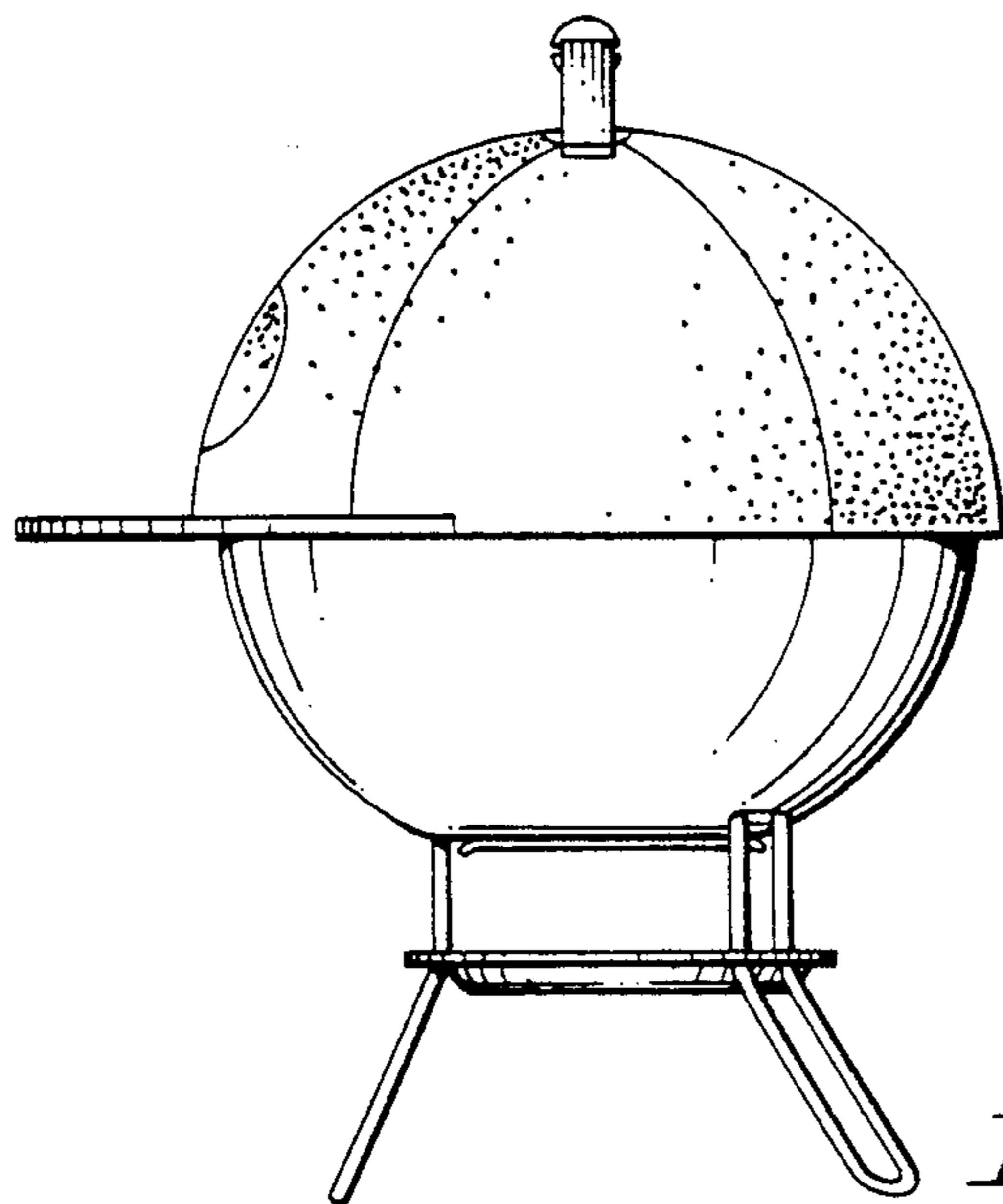


FIG. 7

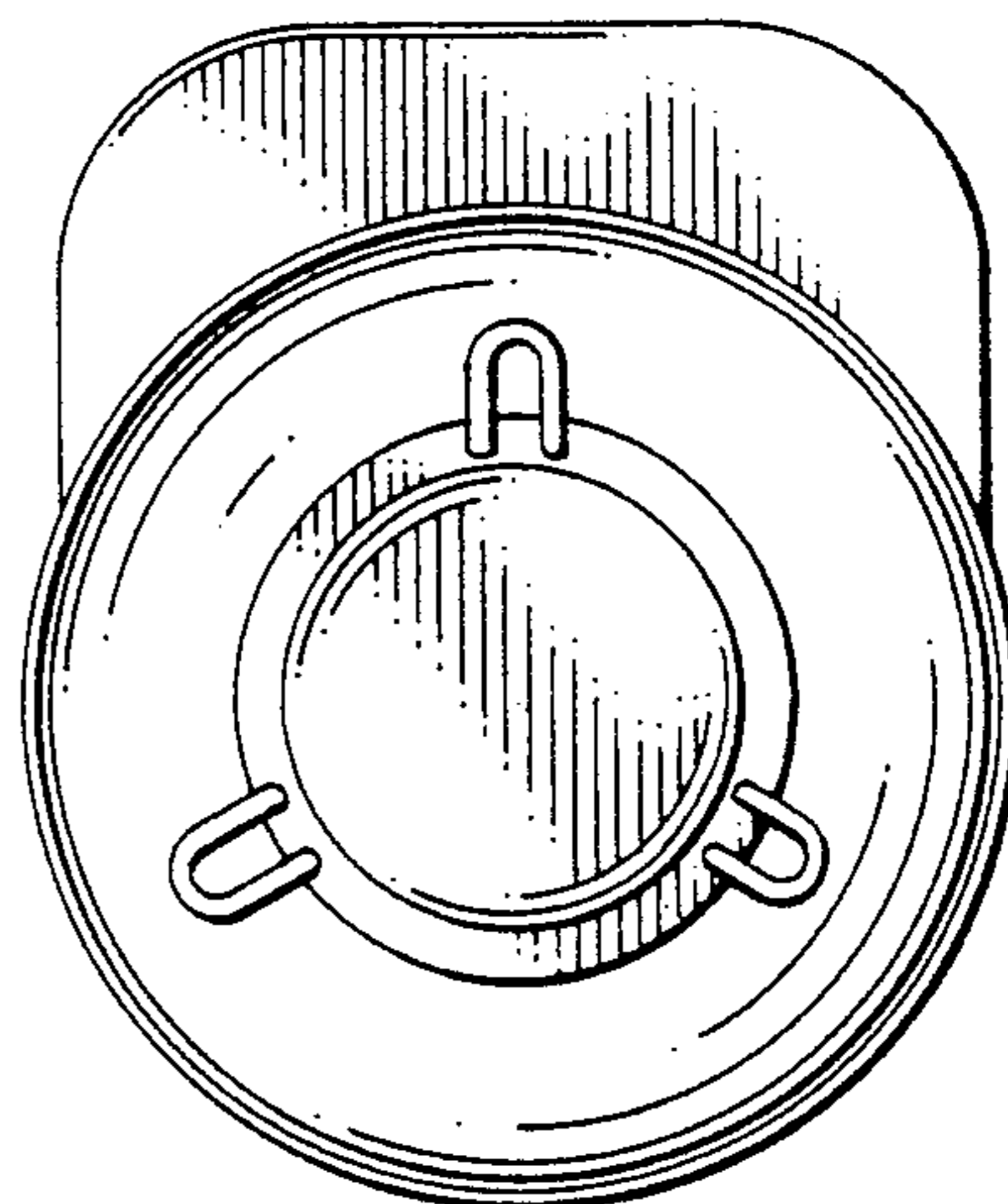


FIG. 9

FIG. 10

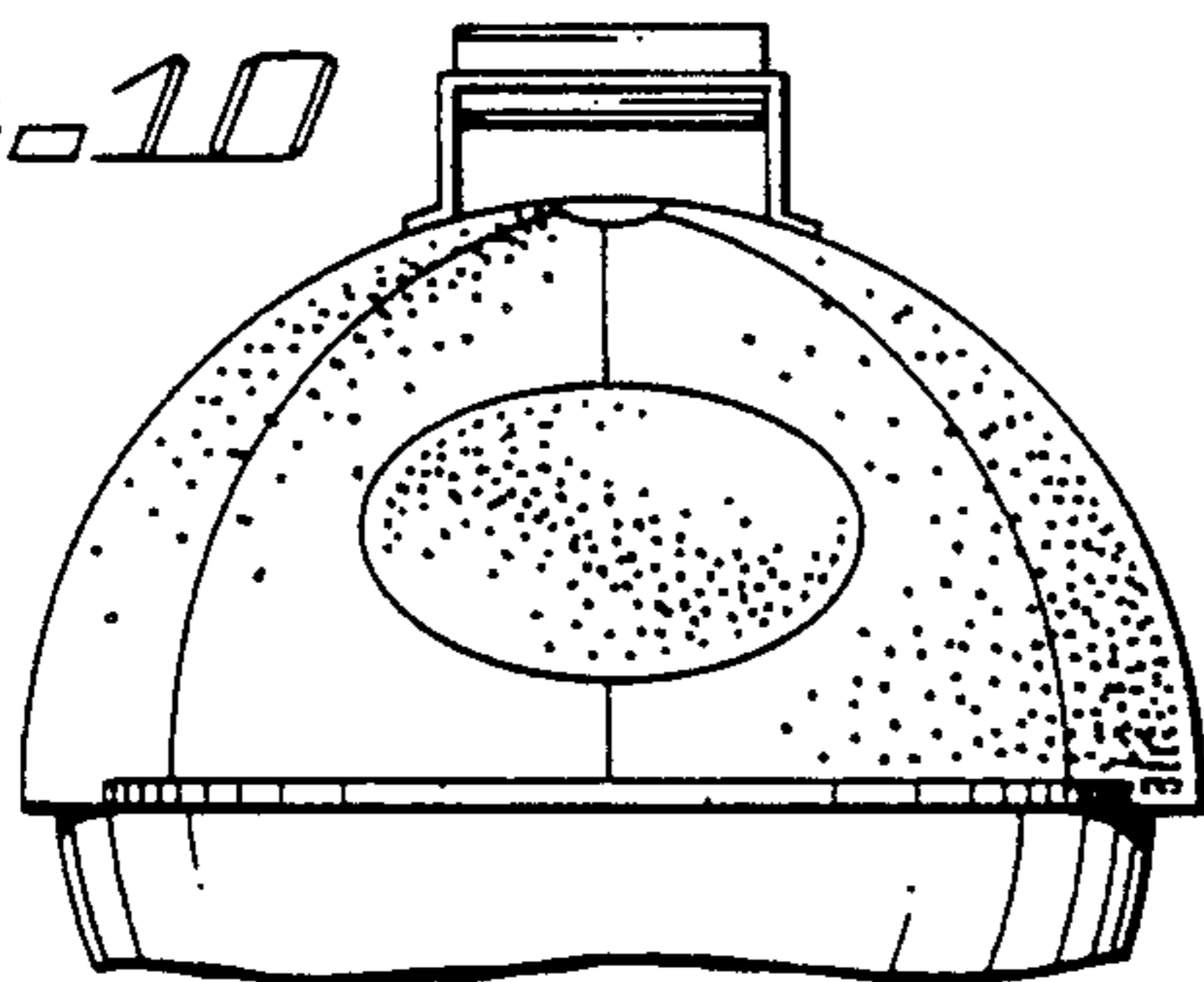


FIG. 11

