



US00D326581S

United States Patent [19]

[11] Patent Number: **Des. 326,581**

Hanna et al.

[45] Date of Patent: **** Jun. 2, 1992**

[54] **DISPENSER FOR A LIQUID SOAP CONTAINER**

[75] Inventors: **Emmanuel A. Hanna**, Lakeview Terrace; **Masao Morisaku**, Monterey Park, both of Calif.

[73] Assignee: **Bobrick Washroom Equipment, Inc.**, North Hollywood, Calif.

[**] Term: **14 Years**

[21] Appl. No.: **414,271**

[22] Filed: **Sep. 29, 1989**

[52] U.S. Cl. **D6/545; D23/233**

[58] Field of Search 222/181, 185, 559; D23/233-239, 244-248; D6/542, 545

[56] **References Cited**

U.S. PATENT DOCUMENTS

D. 93,753	10/1934	Weirich	D6/545
D. 154,261	6/1949	Gilmore	D6/545
57,175	2/1821	Watrons	D6/545
2,269,847	1/1942	Feinson	222/181 X
2,659,517	11/1953	Reinhardt, Jr.	222/559 X
4,095,727	6/1978	Dorsch	222/559 X

OTHER PUBLICATIONS

Bobrick Soap Dispenser Valves from Sweets Catalog file, p. 37, 1981, vol. 10.

American Dispenser Co. Item recessed Soap Dispersions from Sweet's Catalog file, p. 16, 1981. vol. 10.

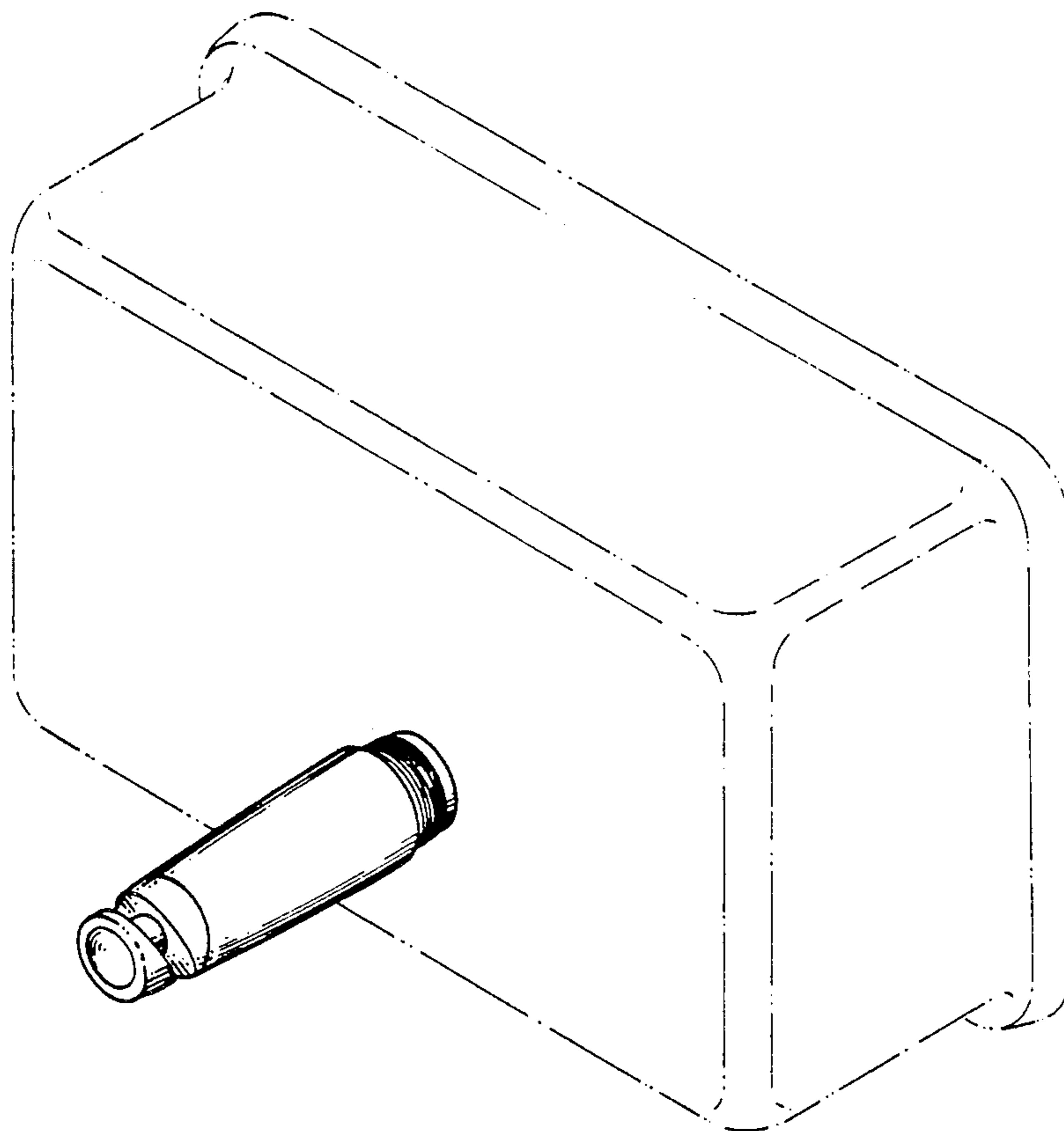
Primary Examiner—Susan J. Lucas
Assistant Examiner—M. H. Tung
Attorney, Agent, or Firm—Harris, Kern, Wallen & Tinsley

[57] **CLAIM**

Th ornamental design for a dispenser for a liquid soap container, as shown and described.

DESCRIPTION

FIG. 1 is a top perspective view of a dispenser for a liquid soap container showing my new design;
FIG. 2 is a top plan view thereof;
FIG. 3 is a side elevational view thereof;
FIG. 4 is an opposite side elevational view thereof;
FIG. 5 is a bottom plan view thereof;
FIG. 6 is a front elevational view thereof;
FIG. 7 is a rear elevational view thereof;
FIG. 8 is a top perspective view of a second embodiment thereof;
FIG. 9 is a side elevational view thereof;
FIG. 10 is a bottom plan view thereof;
FIG. 11 is a top plan view thereof;
FIG. 12 is an opposite side elevational view thereof;
FIG. 13 is a front elevational view thereof; and,
FIG. 14 is a rear elevational view thereof.



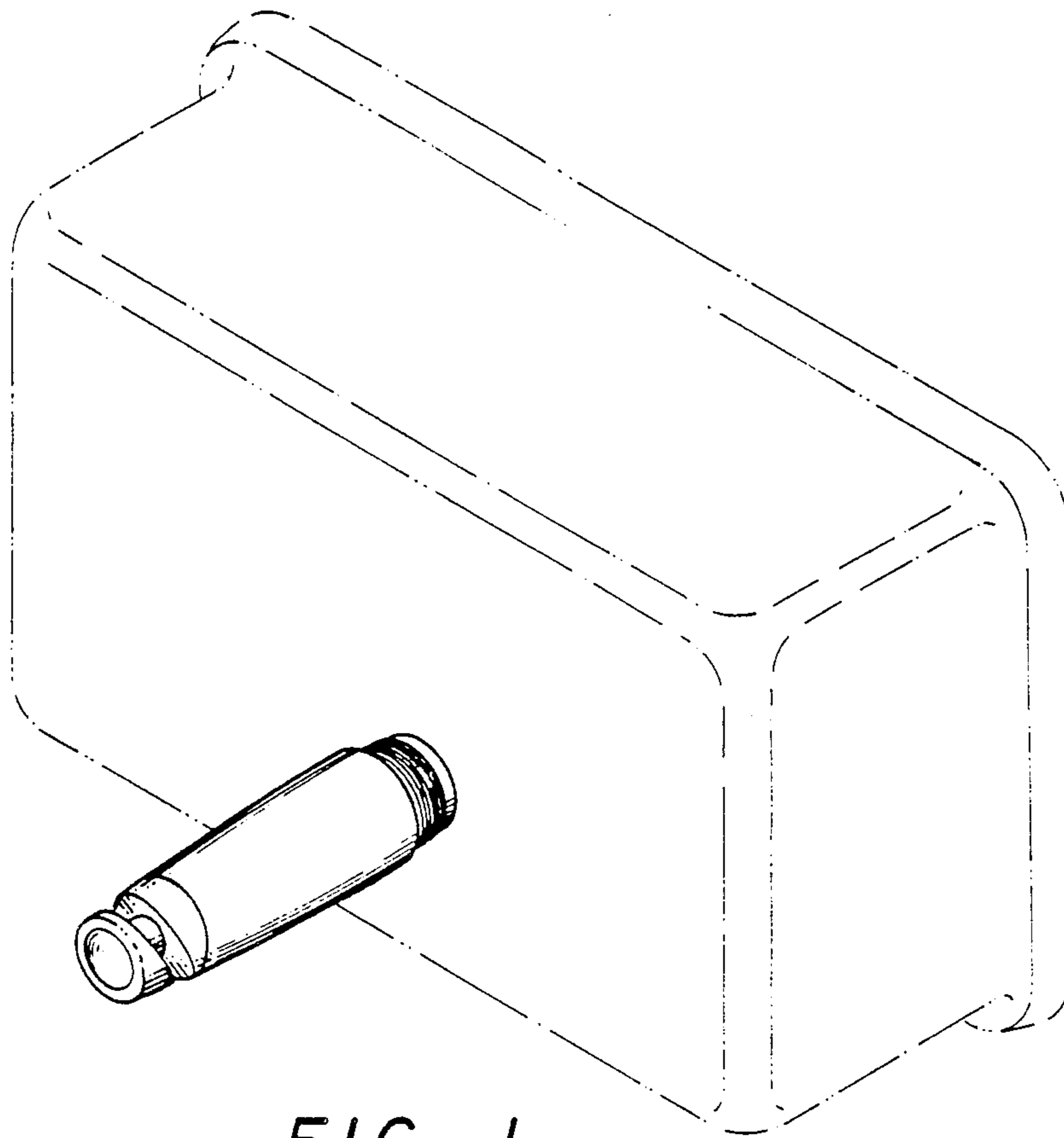


FIG. 1

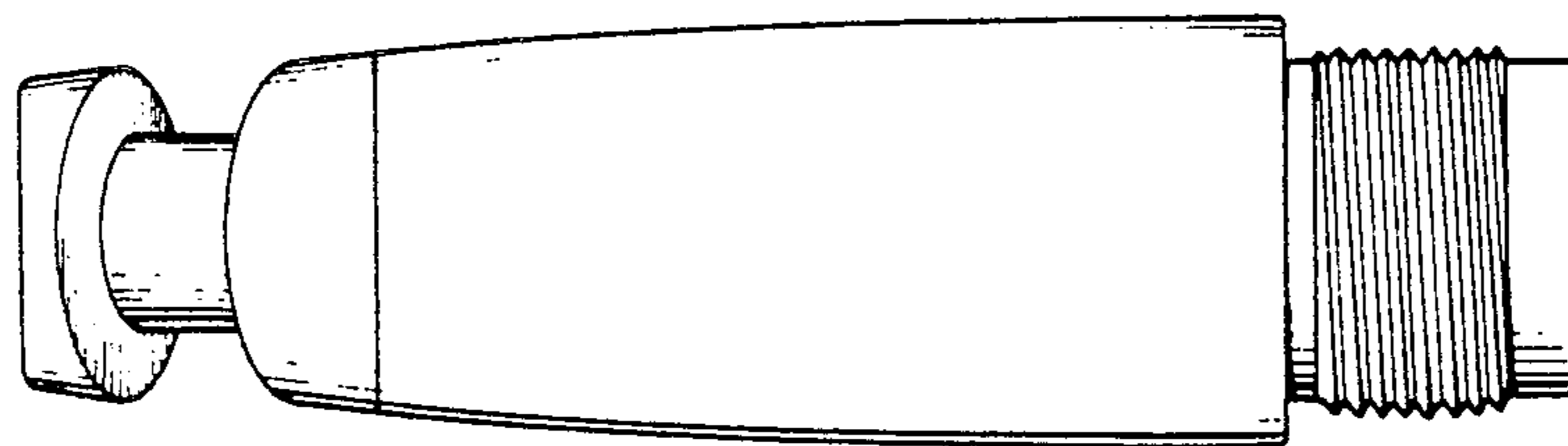


FIG. 2

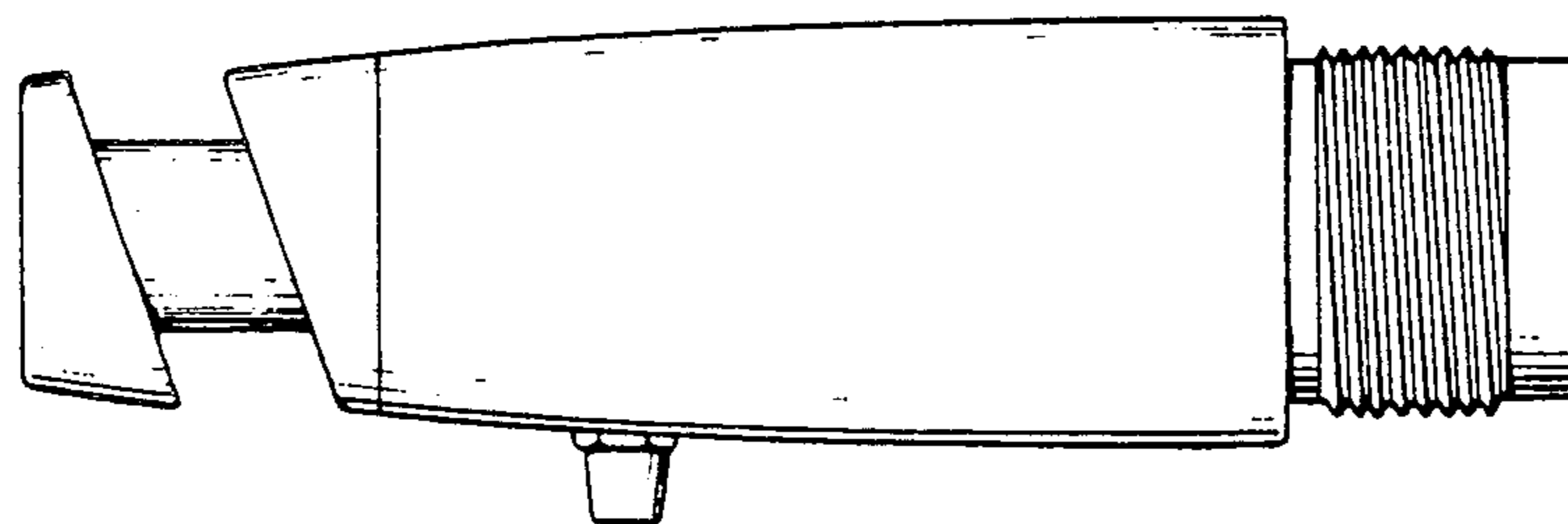


FIG. 3

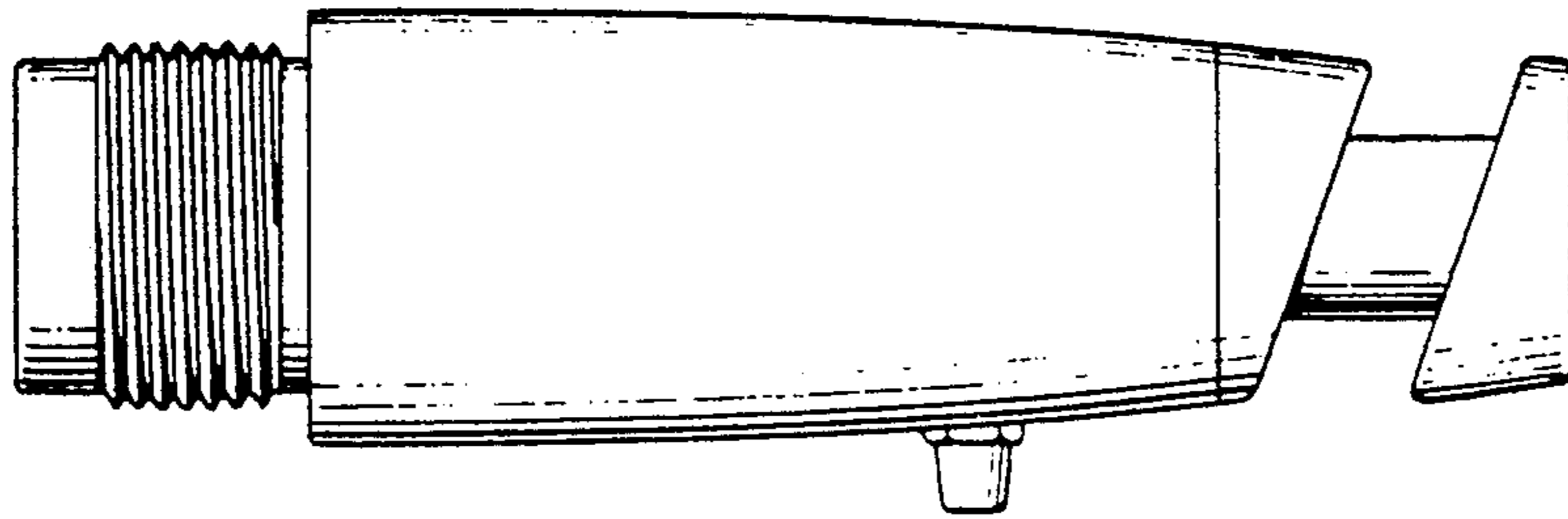


FIG. 4

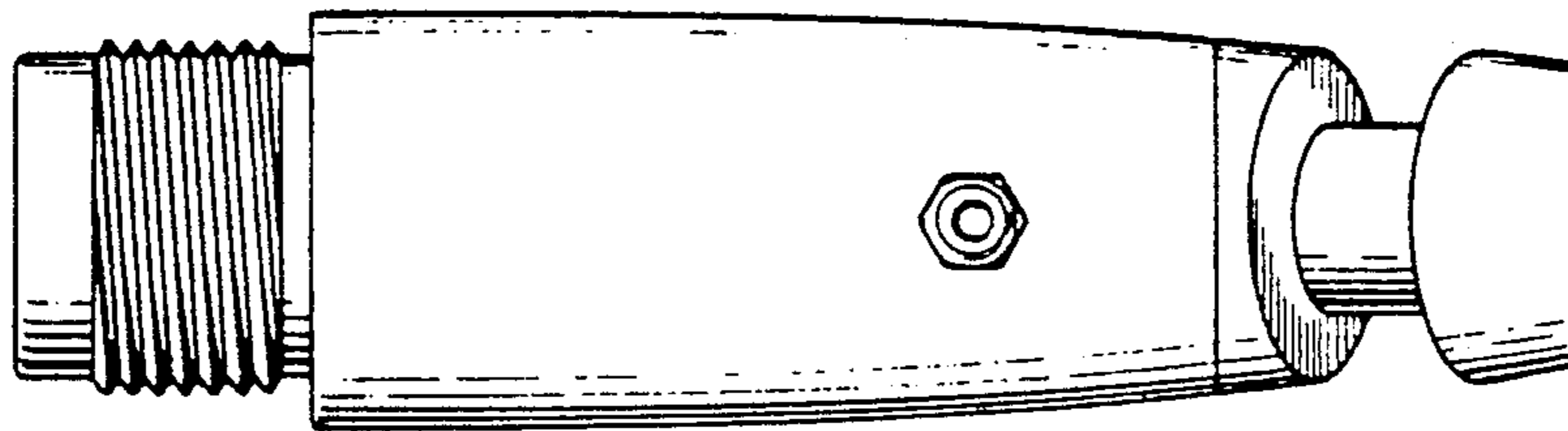


FIG. 5

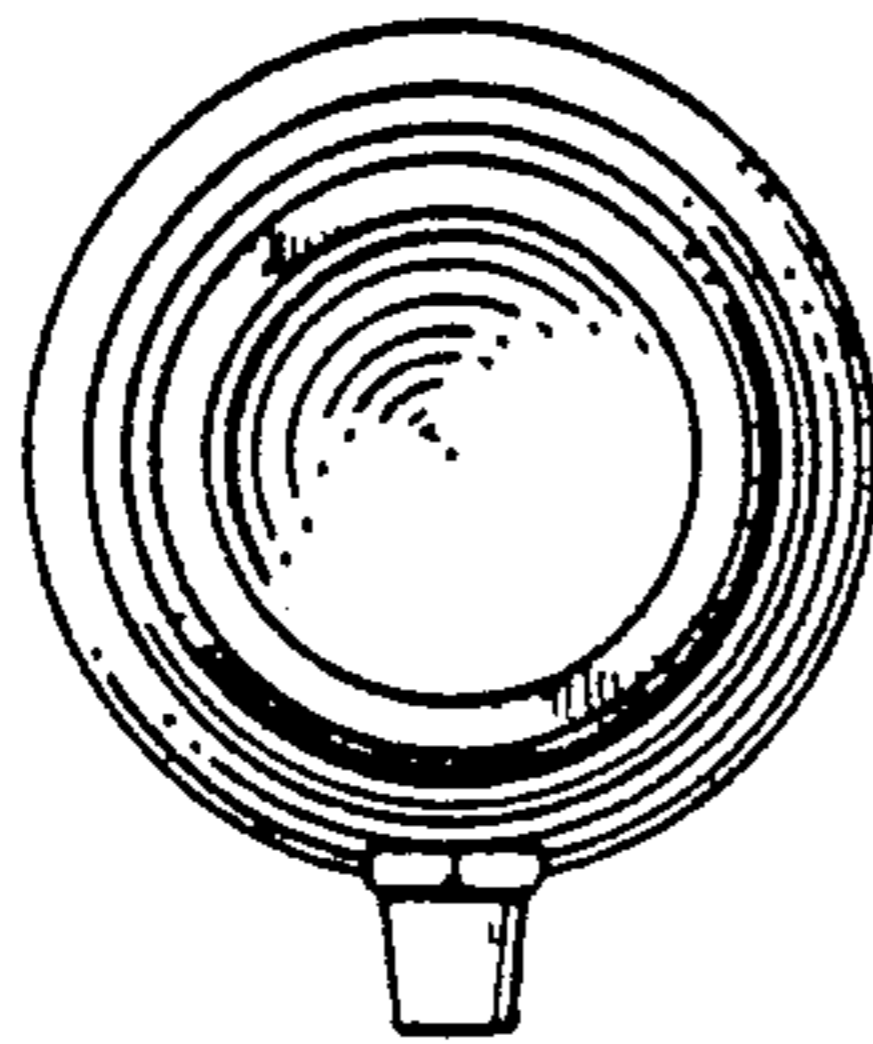


FIG. 6

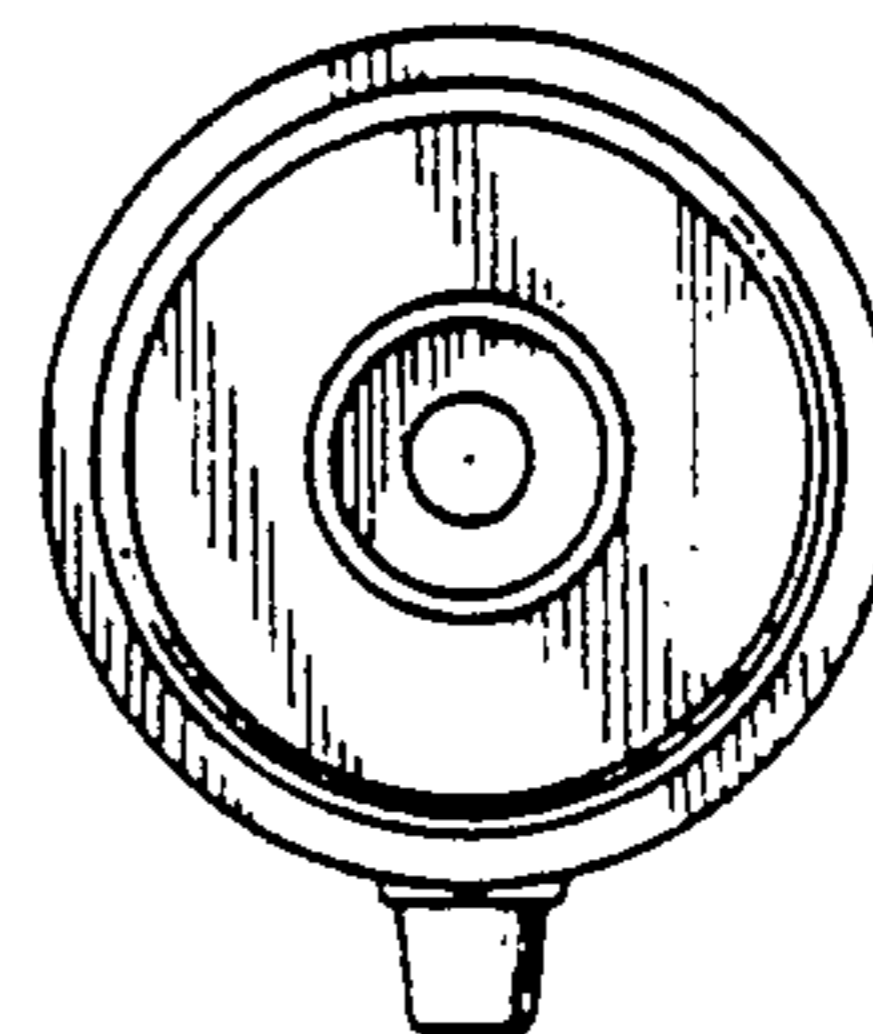


FIG. 7

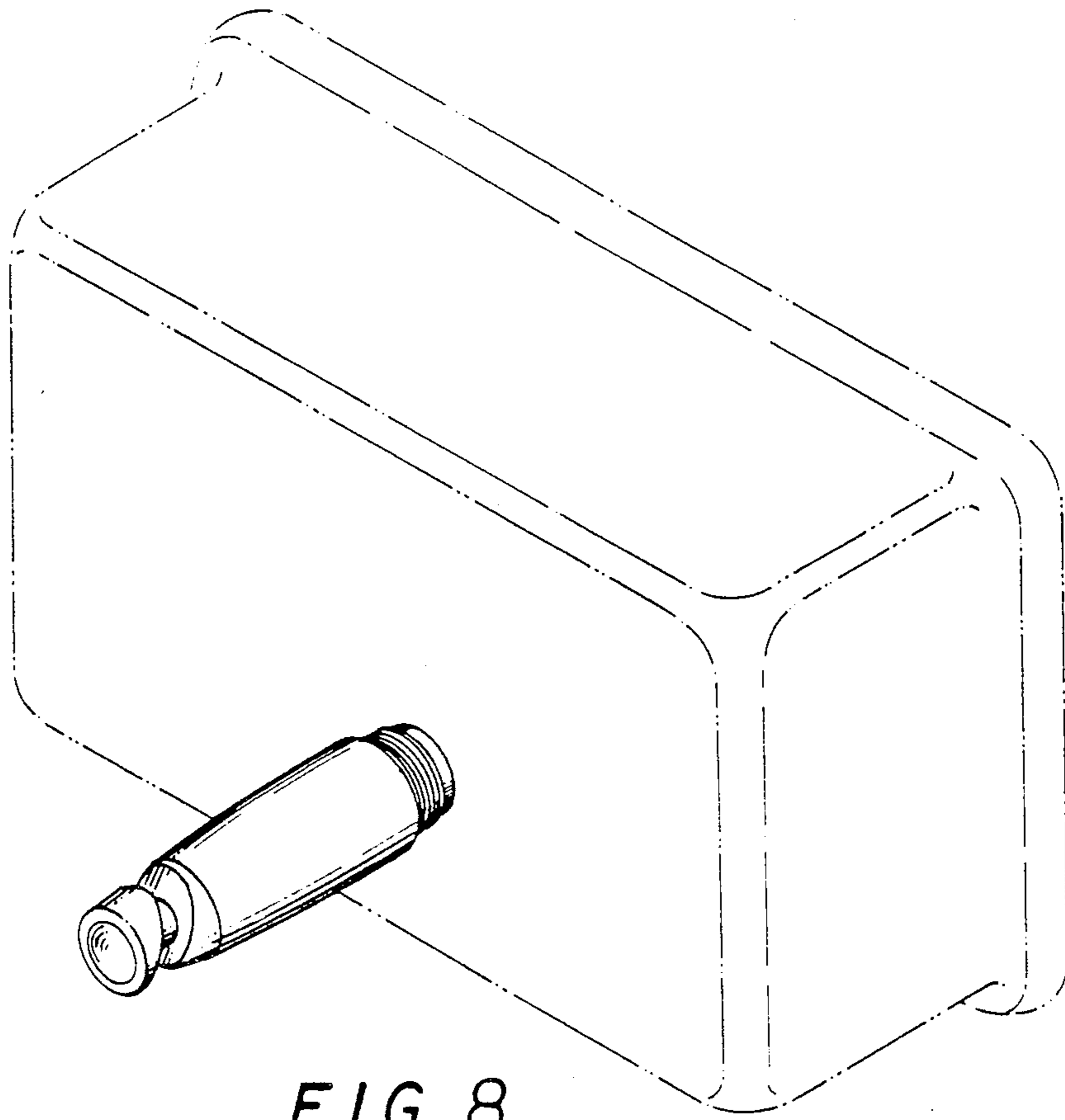


FIG. 8

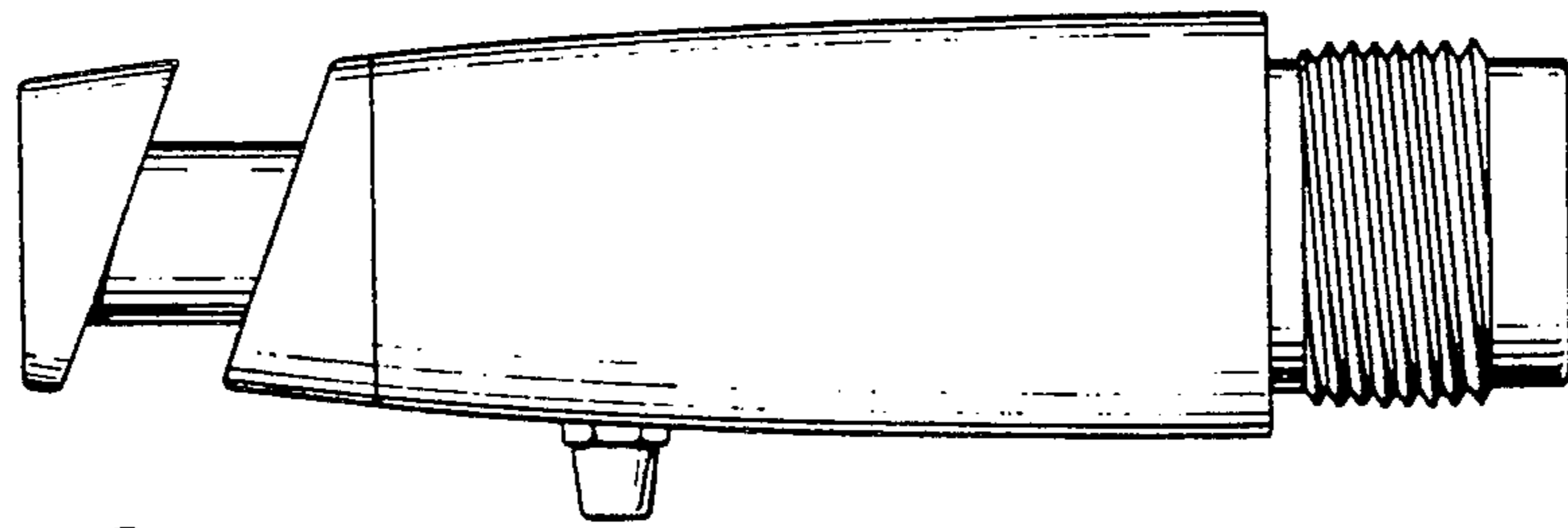


FIG. 9

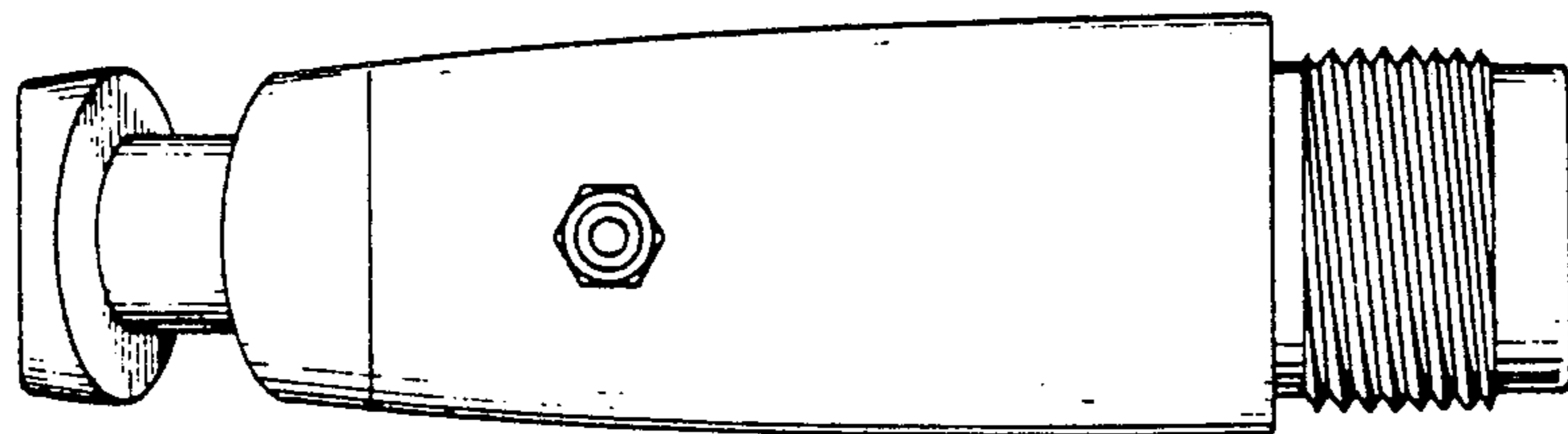


FIG. 10

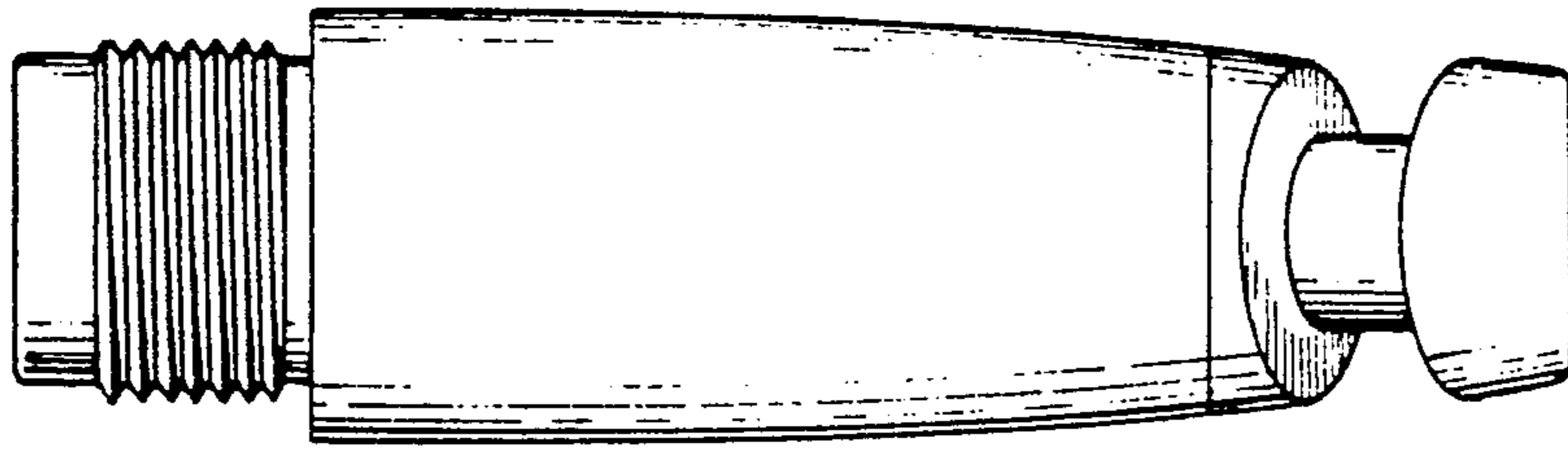


FIG. 11

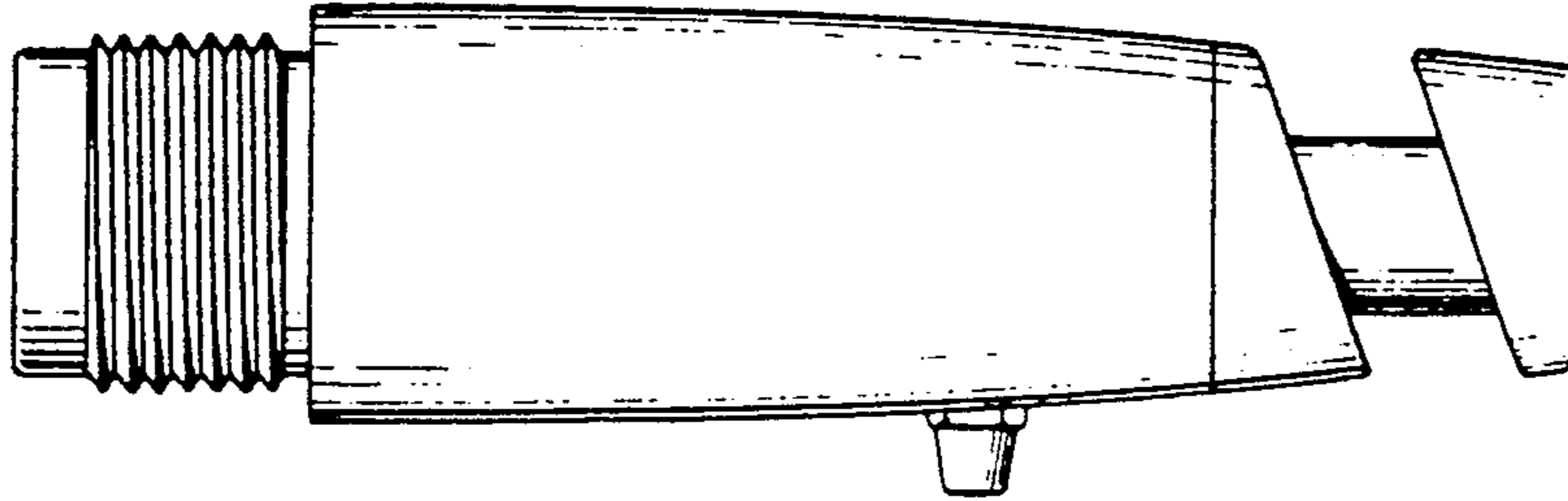


FIG. 12

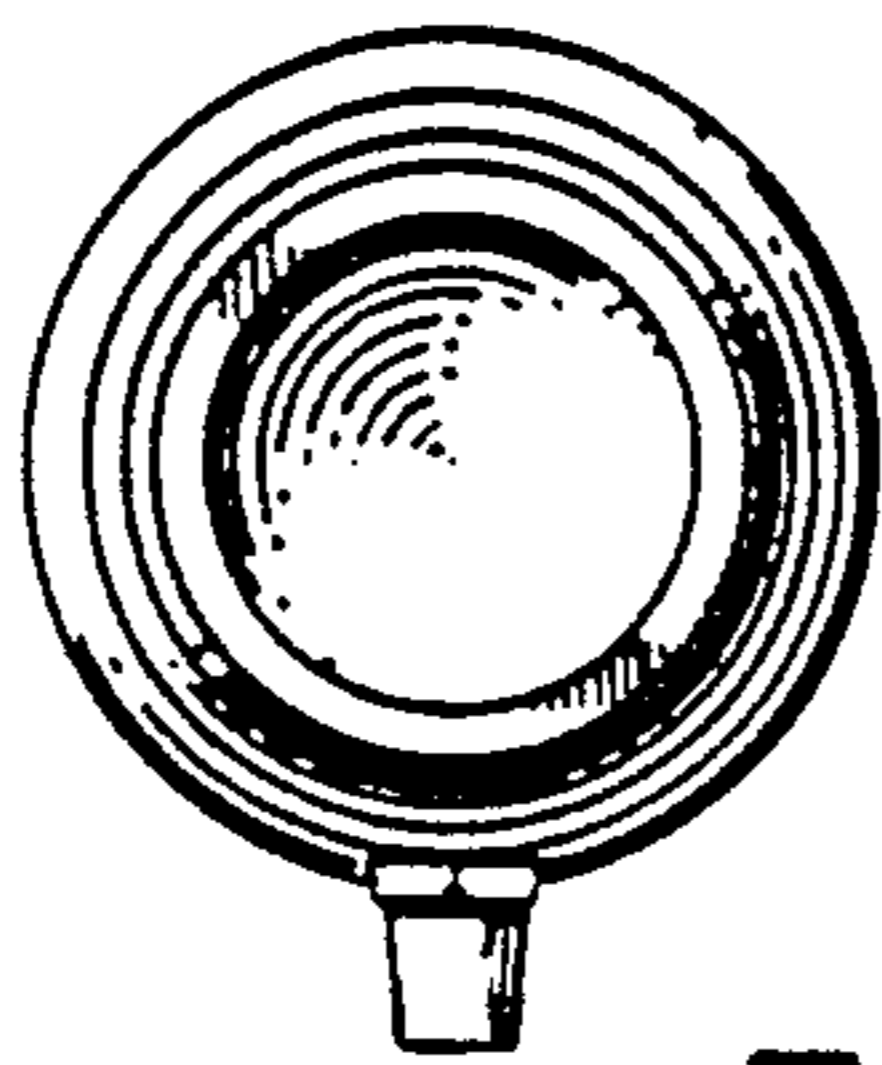


FIG. 13

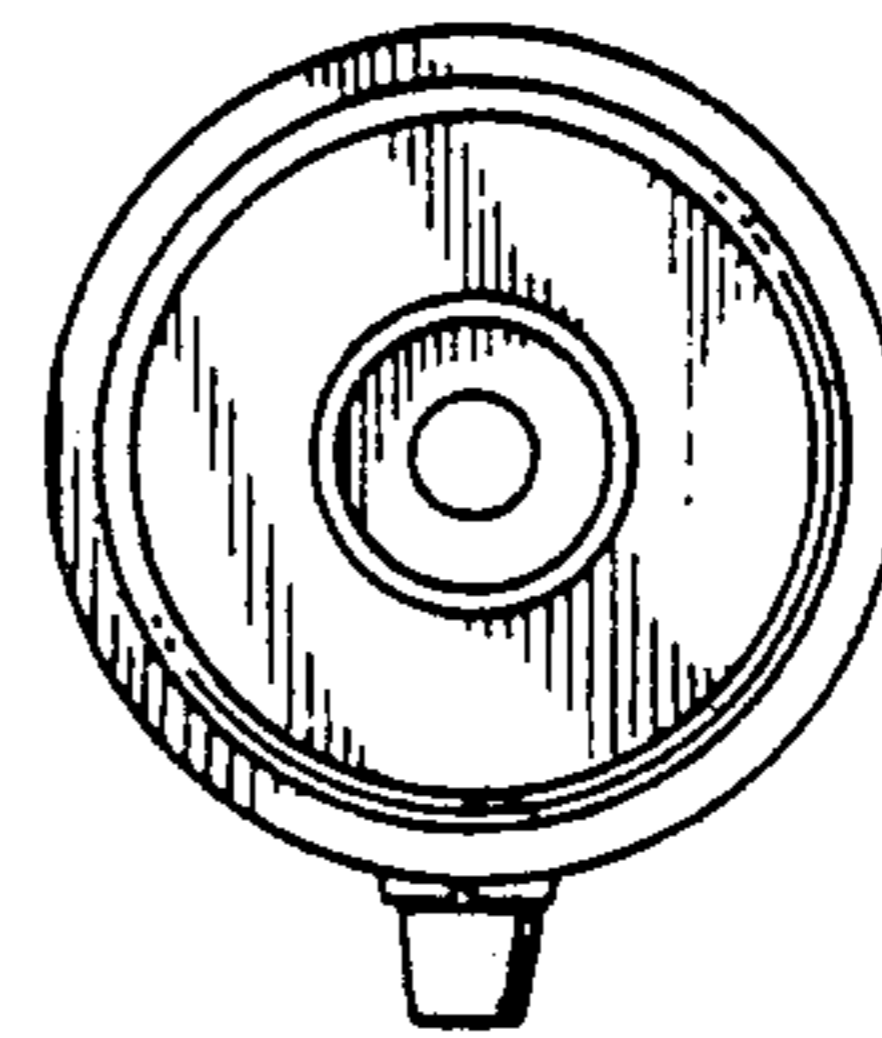


FIG. 14