



US00D326580S

United States Patent [19]

[11] Patent Number: **Des. 326,580**

Brazis

[45] Date of Patent: **** Jun. 2, 1992**

[54] **PAPER TOWEL HOLDER**

[75] Inventor: **William E. Brazis, Medina, Ohio**

[73] Assignee: **Rubbermaid Incorporated, Wooster, Ohio**

[**] Term: **14 Years**

[21] Appl. No.: **560,978**

[22] Filed: **Jul. 31, 1990**

[52] U.S. Cl. **D6/522**

[58] Field of Search **D6/518, 522-523; 211/16; 242/55.2, 55.3**

510 S. Fulton Ave., Mount Vernon, OH 10550. Publication data Spring 1990. (Magnetic Paper Towel Holder). Catalog Page, Diversified Design, Inc., 25400 Solon Rd., Cleveland OH 44146. Publication date Jan. 1990. (Wall-Mount Paper Towel Holder). P. 21, Rubbermaid Incorporated, 1147 Akron Rd., Wooster, OH 44691. Publication date 1990. (Paper Towel Holder #2361).

Primary Examiner—Brian N. Vinson
Attorney, Agent, or Firm—Richard B. O'Planick

[57] **CLAIM**

The ornamental design for paper towel holder, as shown and described.

[56] **References Cited**

U.S. PATENT DOCUMENTS

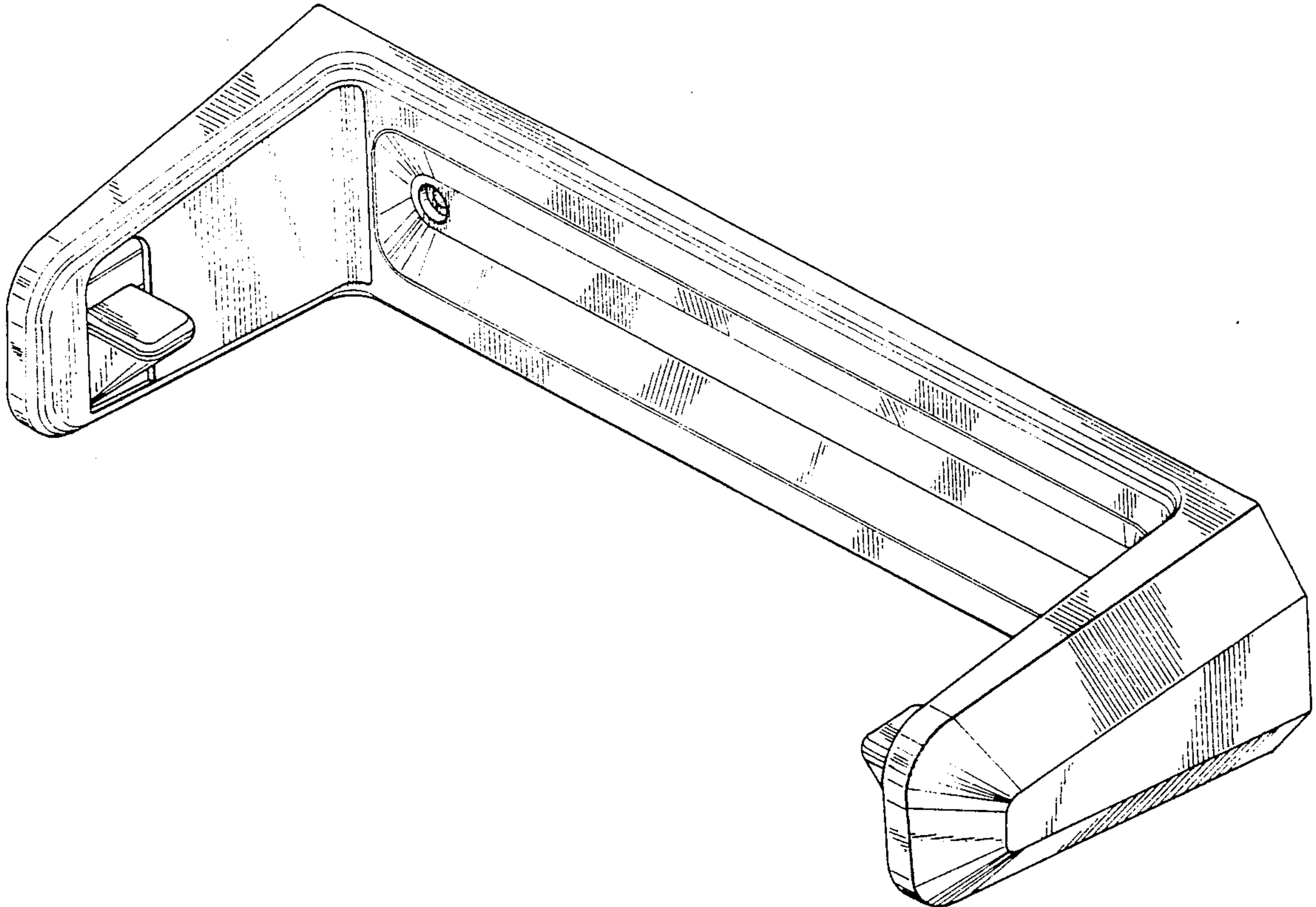
D. 264.406	5/1982	Arnott	D6/502
2,091,311	8/1937	Fischer	D6/518 X
3,116,030	12/1963	Leotta	242/55.2 X
4,097,002	6/1978	Krueger	242/55.2
4,553,710	11/1985	Pool	242/55.53 X
4,771,966	9/1988	Anderson	242/55.2
4,915,316	4/1990	Bastian	242/55.2

OTHER PUBLICATIONS

P. 16, Lillian Vernon Catalog, Lillian Vernon Corp.,

DESCRIPTION

FIG. 1 is a top, front, and right side perspective view of a paper towel holder showing my new design; FIG. 2 is a front elevational view thereof; FIG. 3 is a rear elevational view thereof; FIG. 4 is a bottom plan view thereof; FIG. 5 is a top plan view thereof; FIG. 6 is a right side elevational view thereof, the left side being a mirror image of that shown; and, FIG. 7 is a vertical cross-sectional view thereof, taken along line 7-7 of FIG. 2.



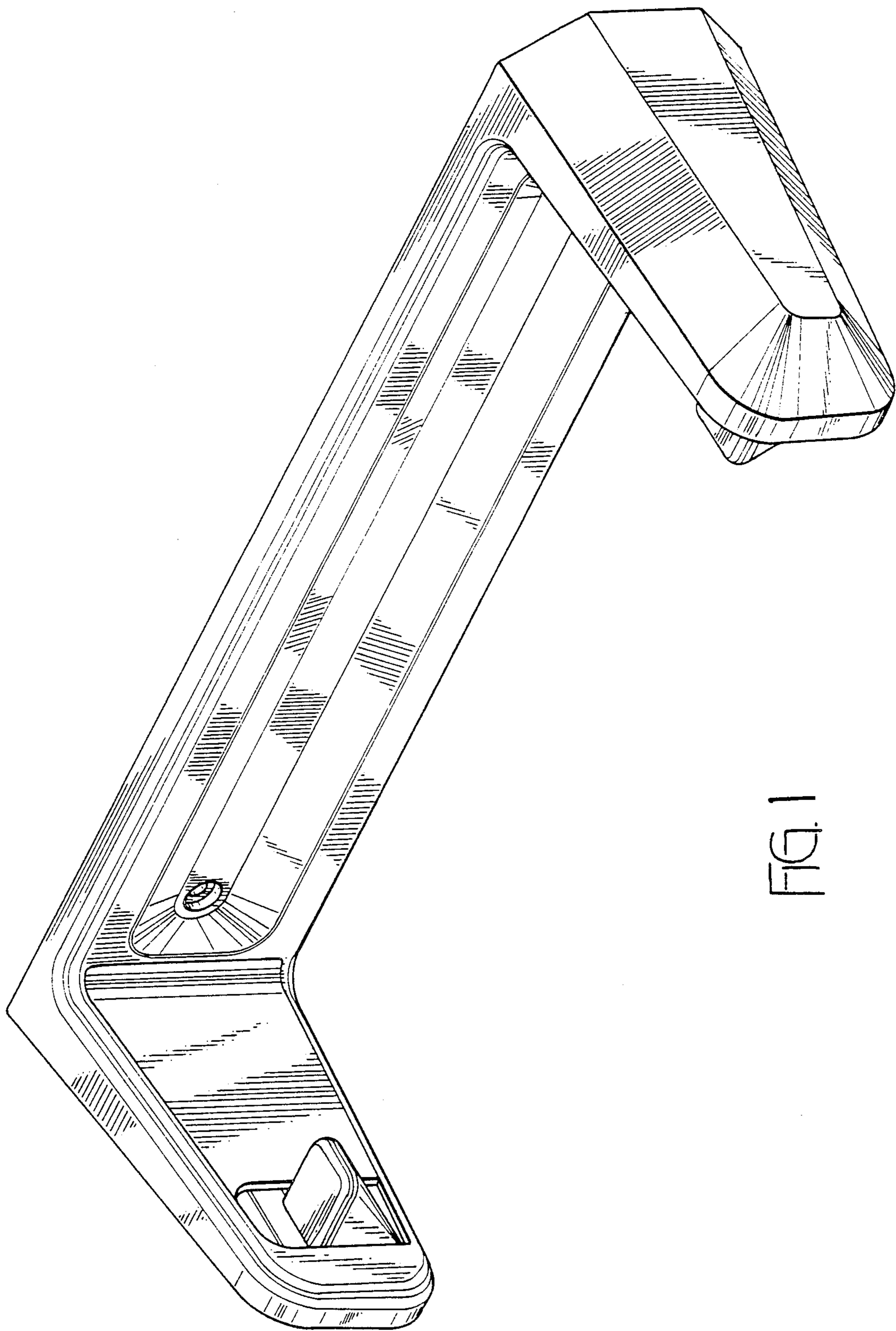


FIG. 1

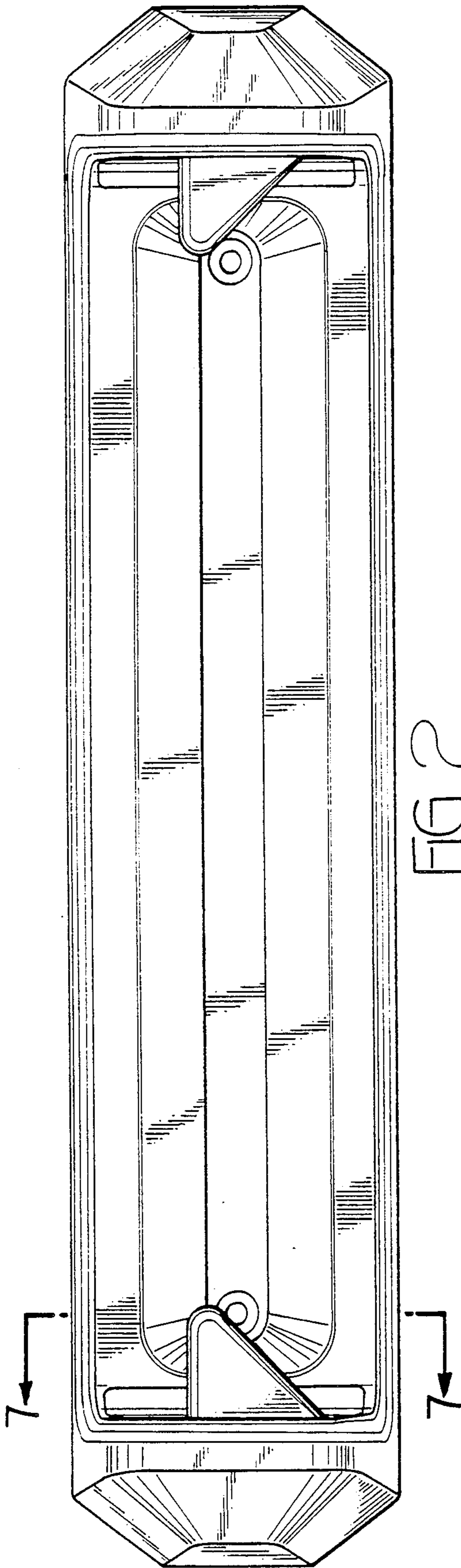


FIG. 2

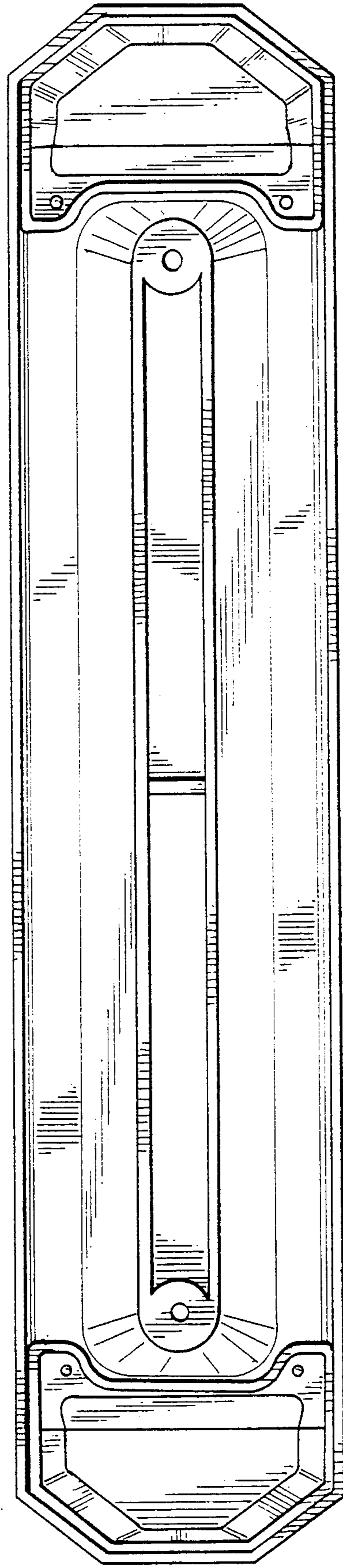


FIG. 3

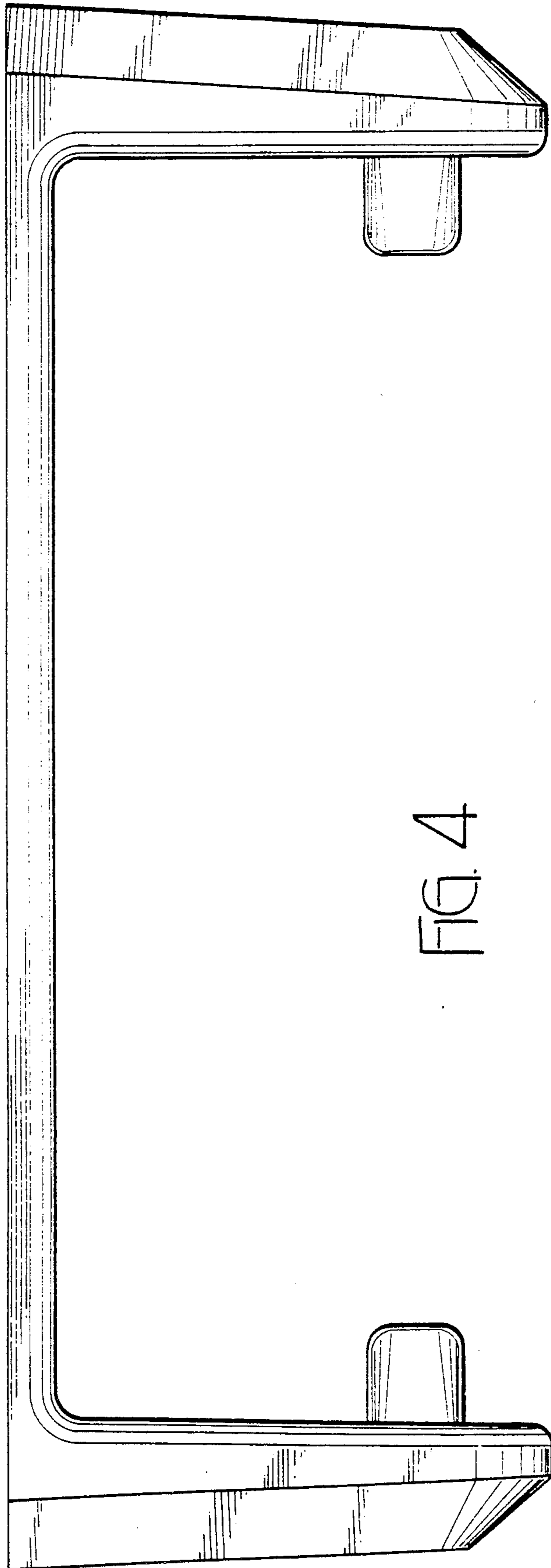


FIG. 4

