



US00D326577S

# United States Patent [19]

[11] Patent Number: **Des. 326,577**

Edwards

[45] Date of Patent: **\*\* Jun. 2, 1992**

[54] **CHAIR BASE**

[75] Inventor: **Thomas M. Edwards**, Wyoming, Mich.

[73] Assignee: **Herman Miller, Inc.**, Zeeland, Mich.

[\*] Notice: The portion of the term of this patent subsequent to Apr. 9, 2005 has been disclaimed.

[\*\*] Term: **14 Years**

[21] Appl. No.: **358,676**

[22] Filed: **May 30, 1989**

D. 208,466	12/1967	Rodrigo .....	D6/498
D. 273,549	4/1984	Petitt .....	D6/498
D. 284,150	6/1986	Petitt .....	D6/498
D. 315,998	4/1991	Edwards .....	D6/498
24,946	12/1895	Morgan .....	D6/498
1,909,018	5/1933	Sengpiel .	
2,044,021	6/1936	Schachtel .	

*Primary Examiner*—Donald P. Walsh  
*Assistant Examiner*—Janice E. Seeger  
*Attorney, Agent, or Firm*—Varnum, Riddering, Schmidt & Howlett

[57] **CLAIM**

The ornamental design for a chair base, as shown and described.

**Related U.S. Application Data**

[63] Continuation-in-part of Ser. No. 205,110, Jun. 10, 1988, Pat. No. Des. 315,998.

[30] **Foreign Application Priority Data**

Sep. 21, 1988 [CA] Canada ..... 2111884

[52] U.S. Cl. .... **D6/498**

[58] Field of Search ..... D6/491, 495, 496, 498-502, D6/486, 366, 393, 363, 480, 482, 489

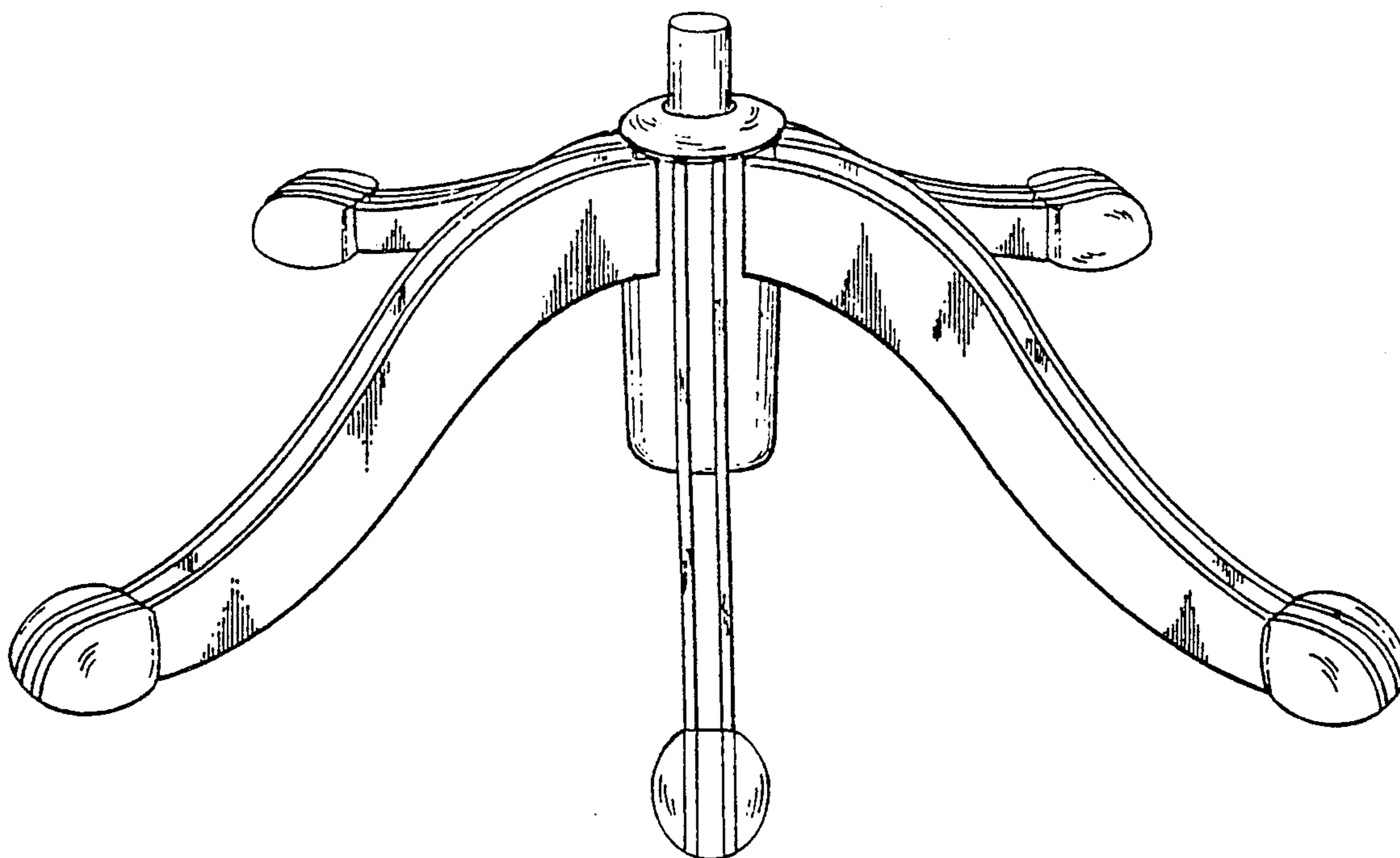
[56] **References Cited**

**U.S. PATENT DOCUMENTS**

D. 67,979	8/1925	Turner .....	D6/498
D. 99,727	5/1936	Powell .....	D6/498
D. 164,900	10/1951	Burdick .....	D6/498
D. 199,671	12/1964	Mulhauser, Jr. ....	D6/498
D. 204,189	3/1966	Dillen .....	D6/498

**DESCRIPTION**

FIG. 1 is a perspective view of a chair base, showing my new design;  
FIG. 2 is a top plan view;  
FIG. 3 is a bottom plan view;  
FIG. 4 is a side elevational view;  
FIG. 5 is an alternate side elevational view, the opposite side being a mirror image thereof;  
FIG. 6 is an elevational view, showing the side not shown in FIGS. 4 or 5;  
FIG. 7 is a perspective view of the chair base, showing an alternate embodiment of my new design;  
FIG. 8 is a top plan view of the alternate embodiment;  
FIG. 9 is a bottom plan view of the alternate embodiment; and,  
FIG. 10 is a side elevational view of the alternate embodiment, showing one of four identical sides.



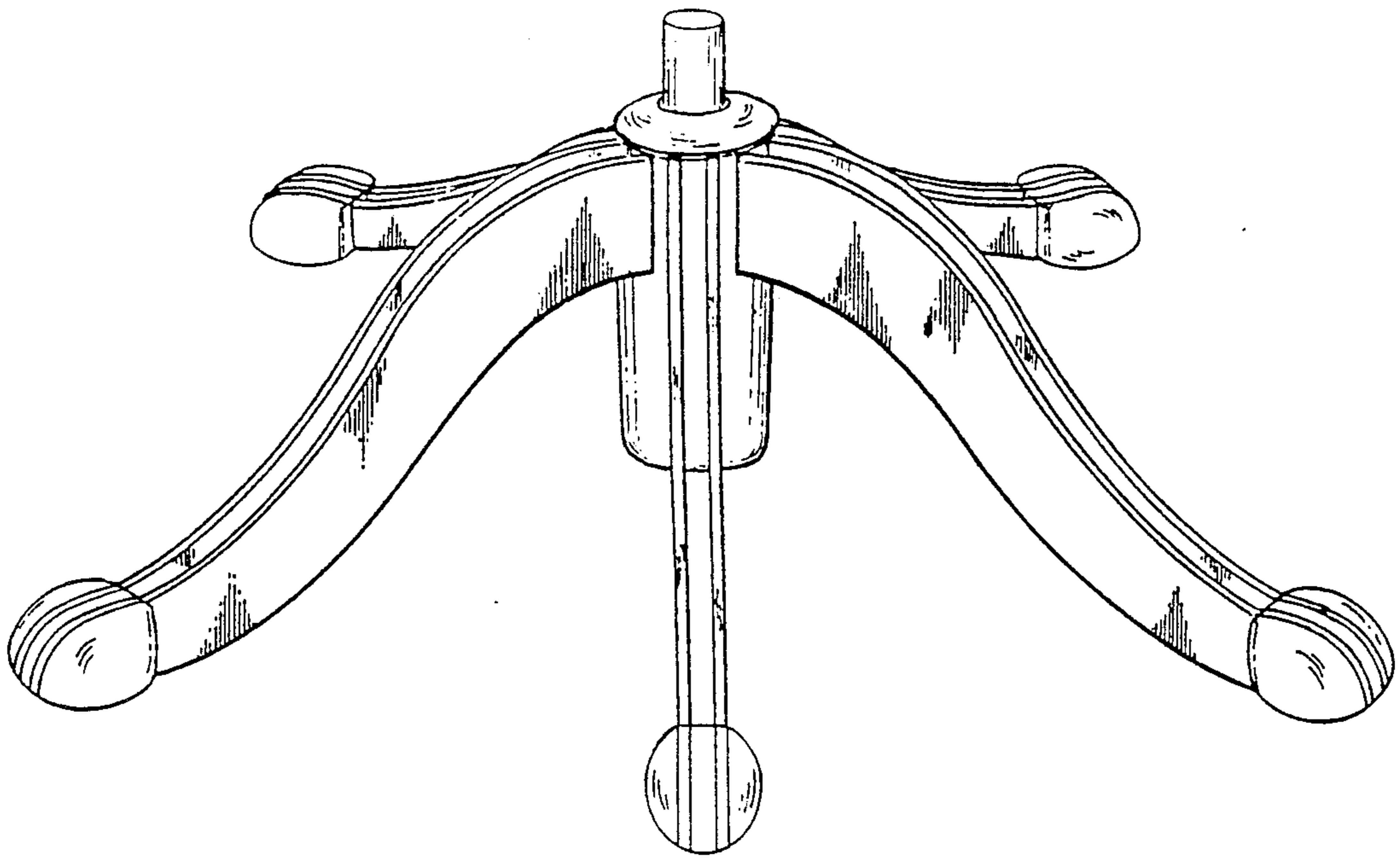


FIG. 1

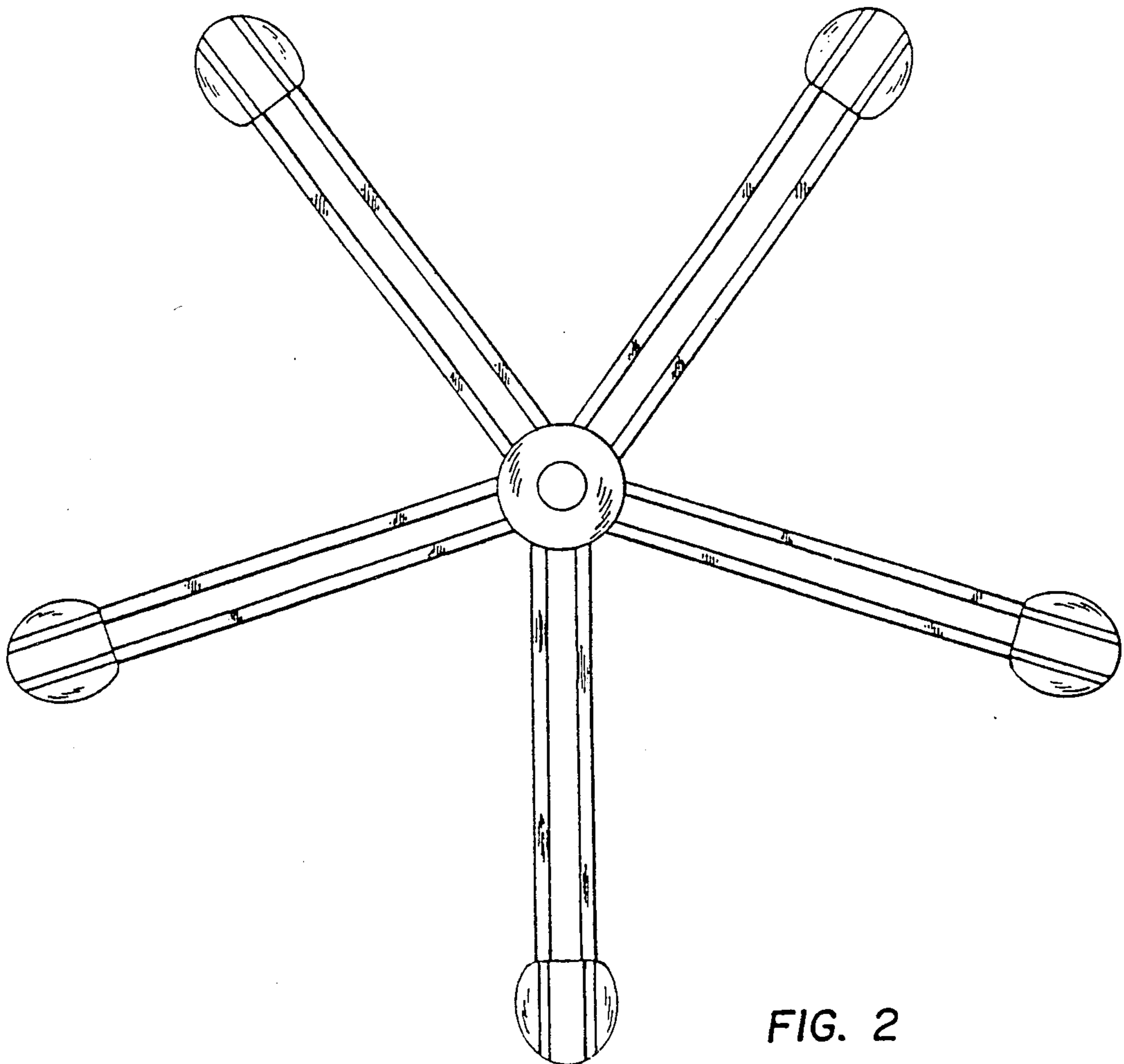


FIG. 2

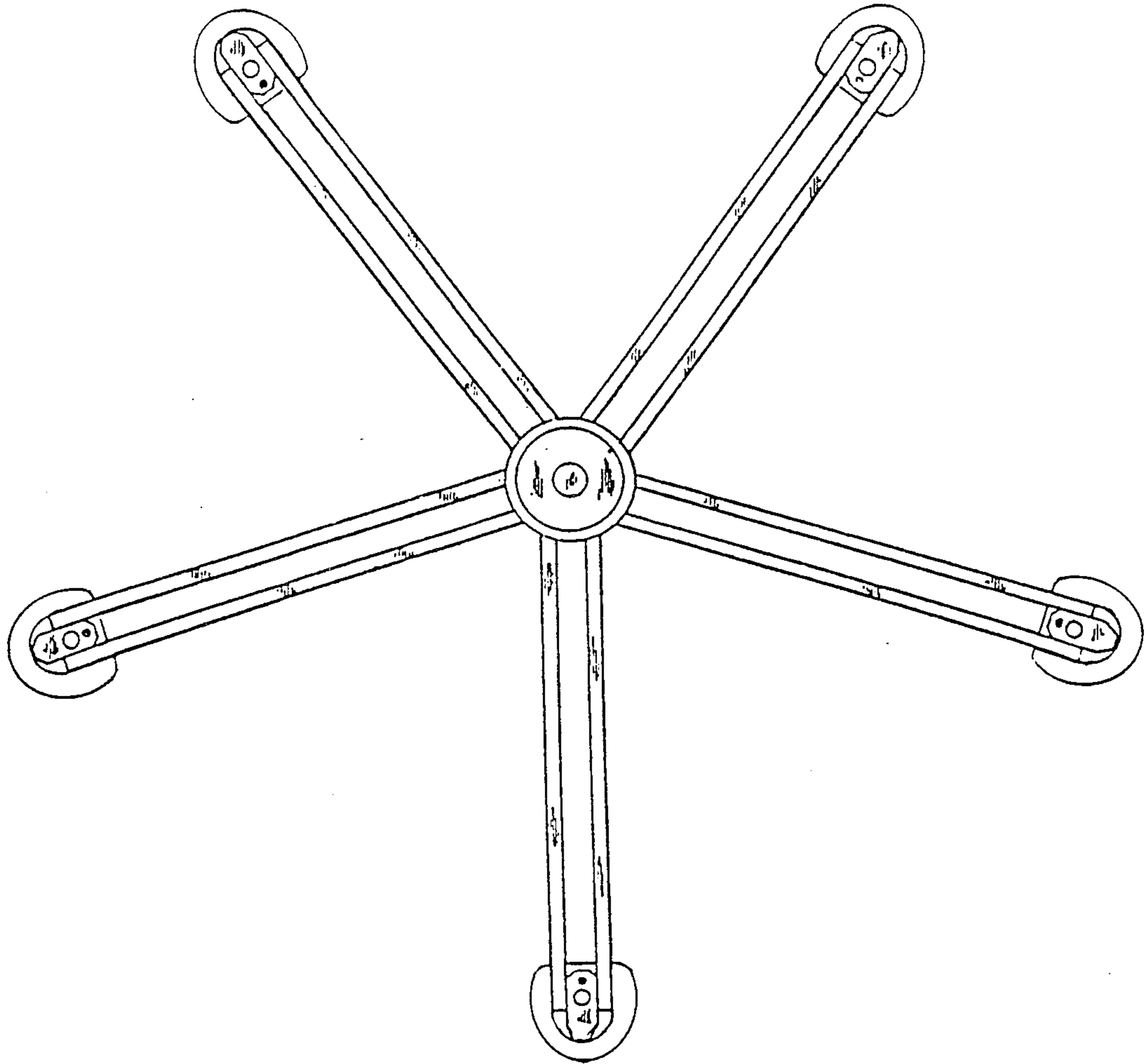


FIG. 3

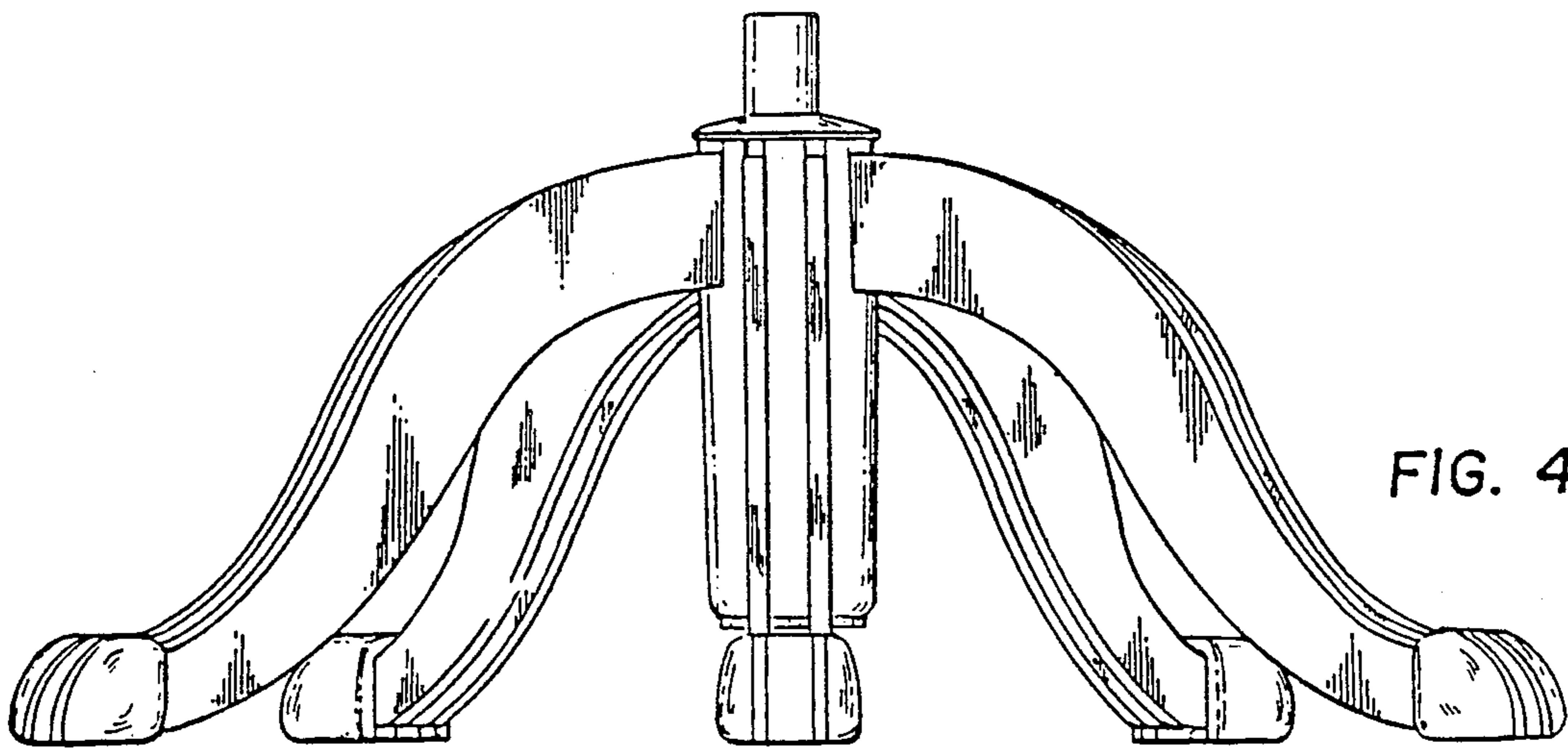


FIG. 4

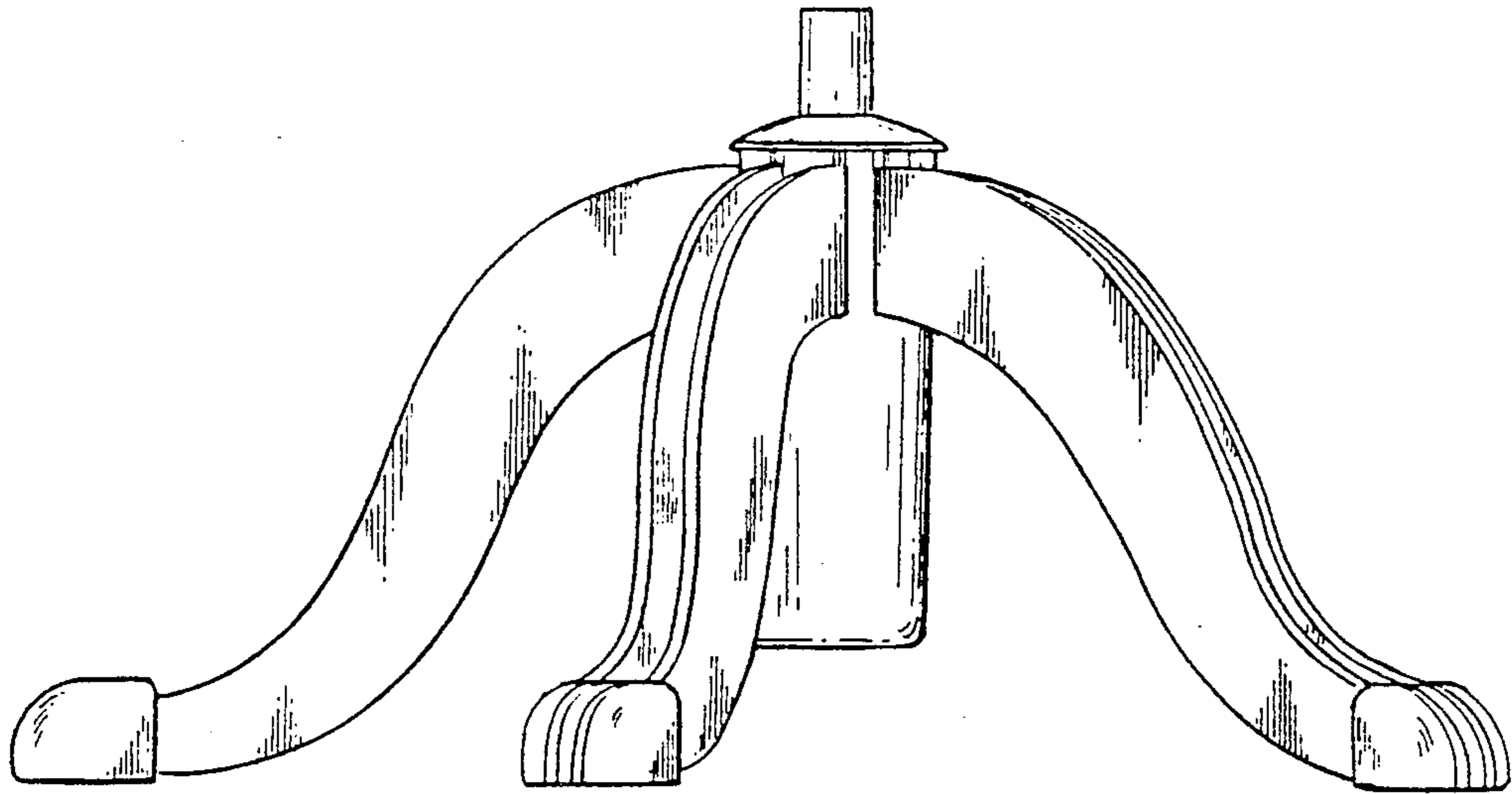


FIG. 5

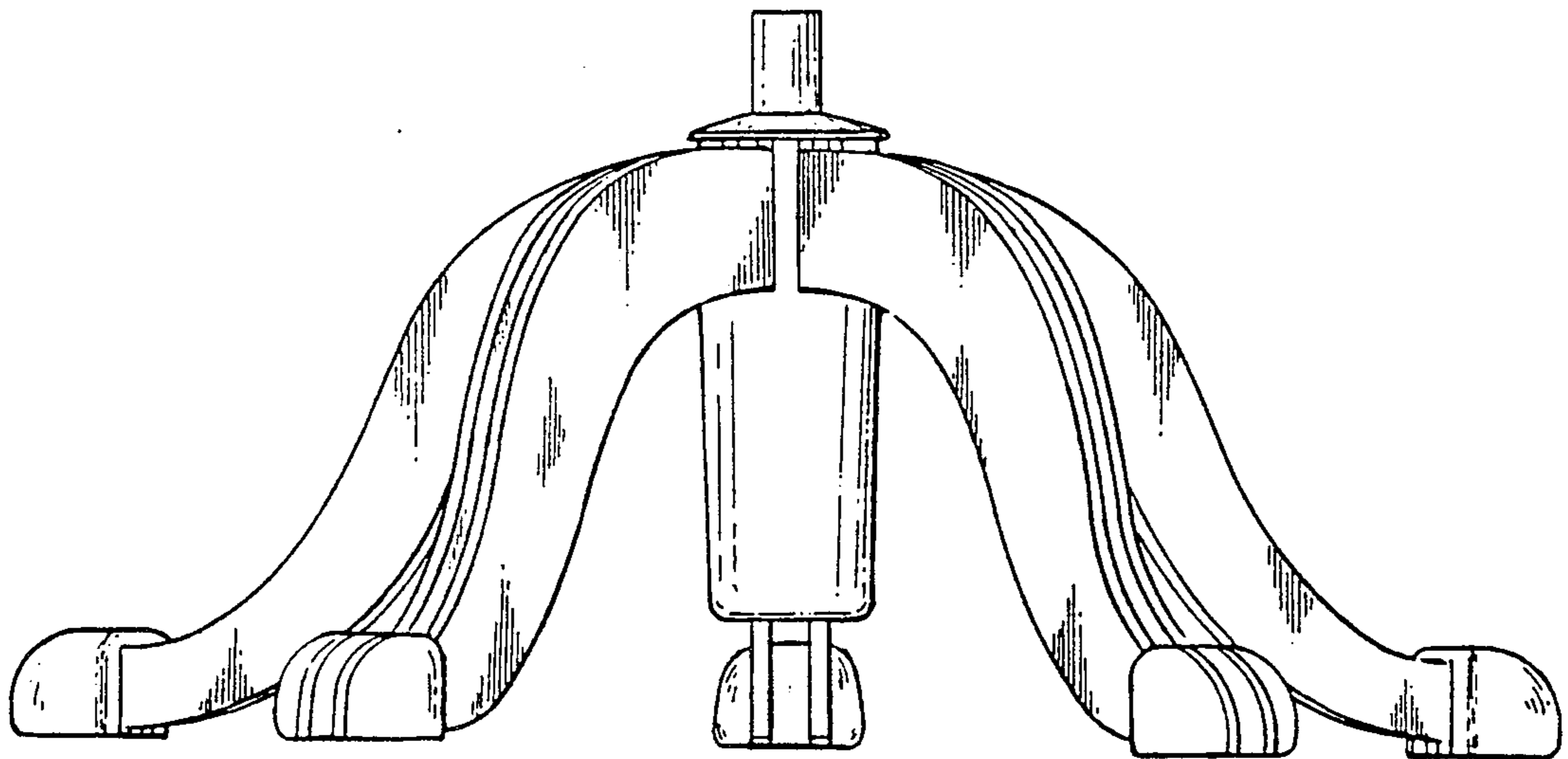
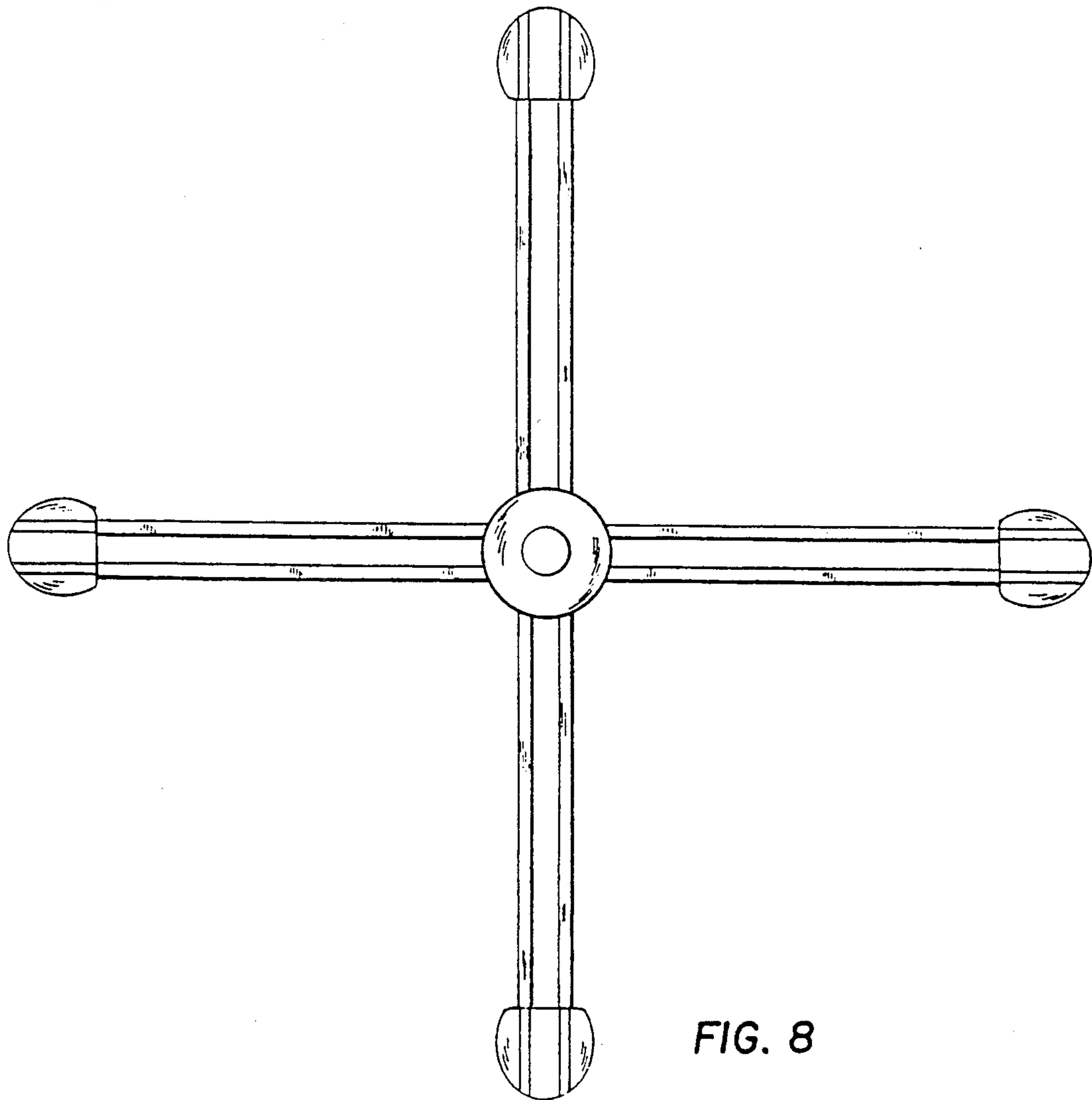
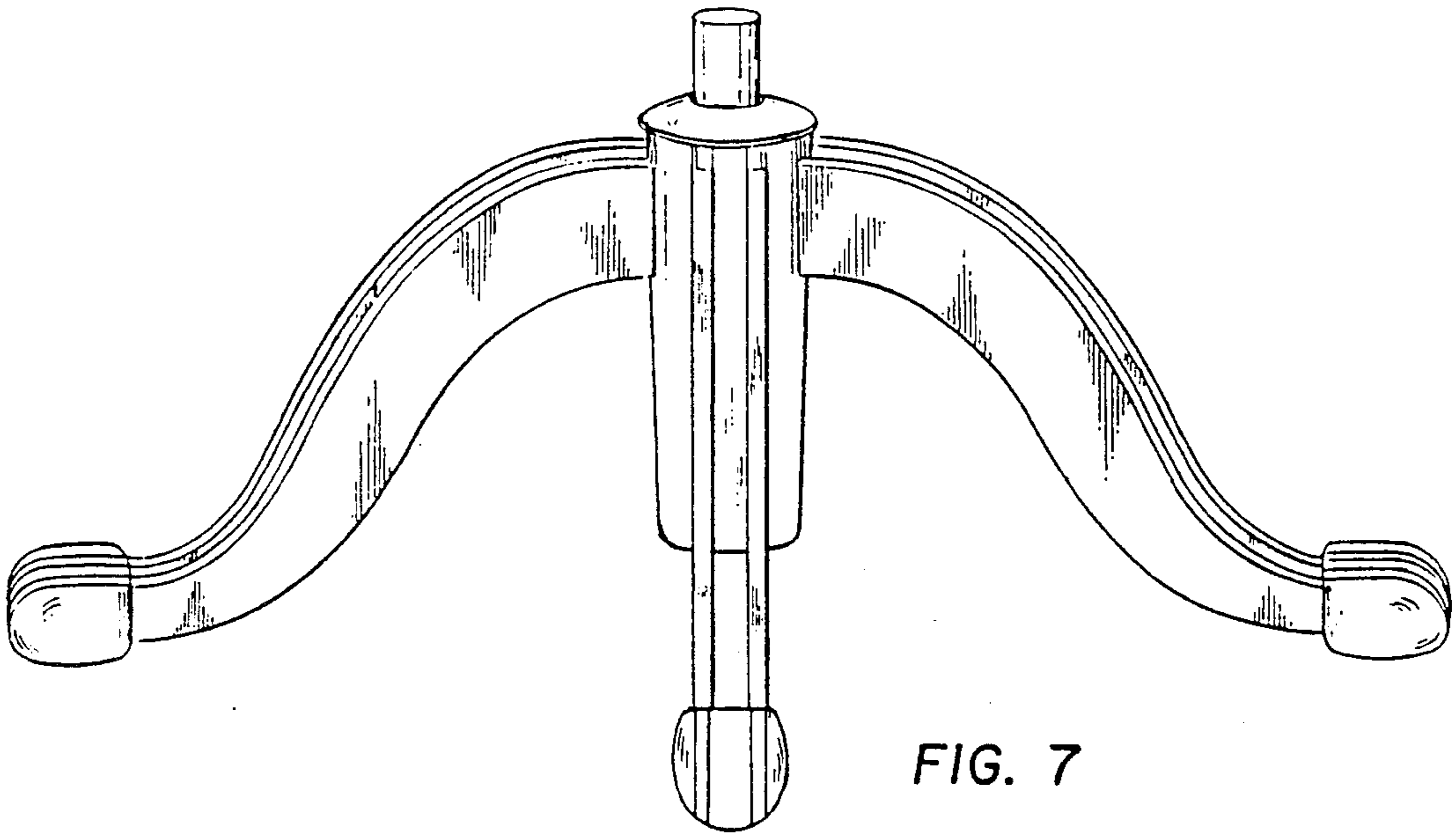


FIG. 6



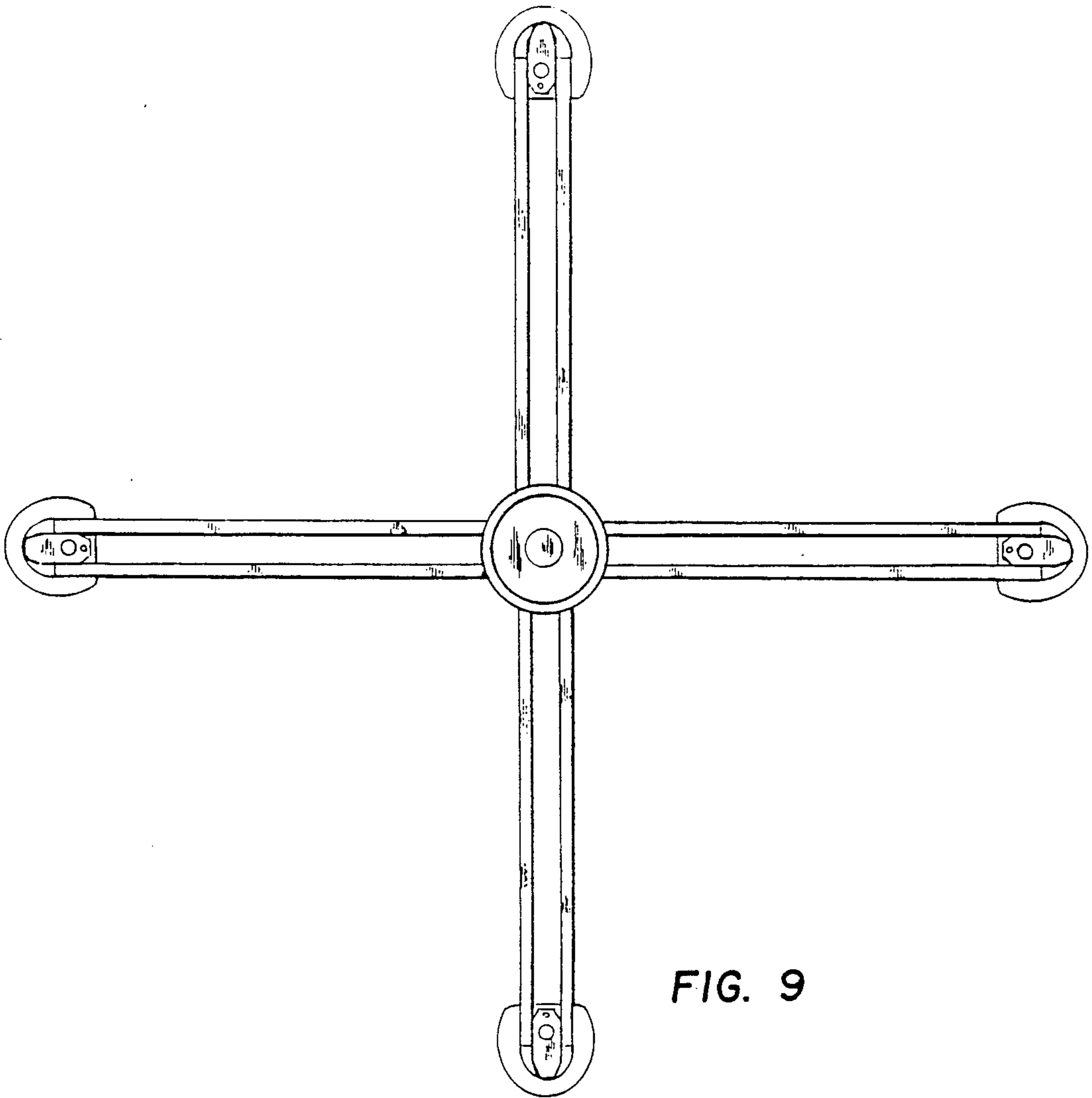


FIG. 9

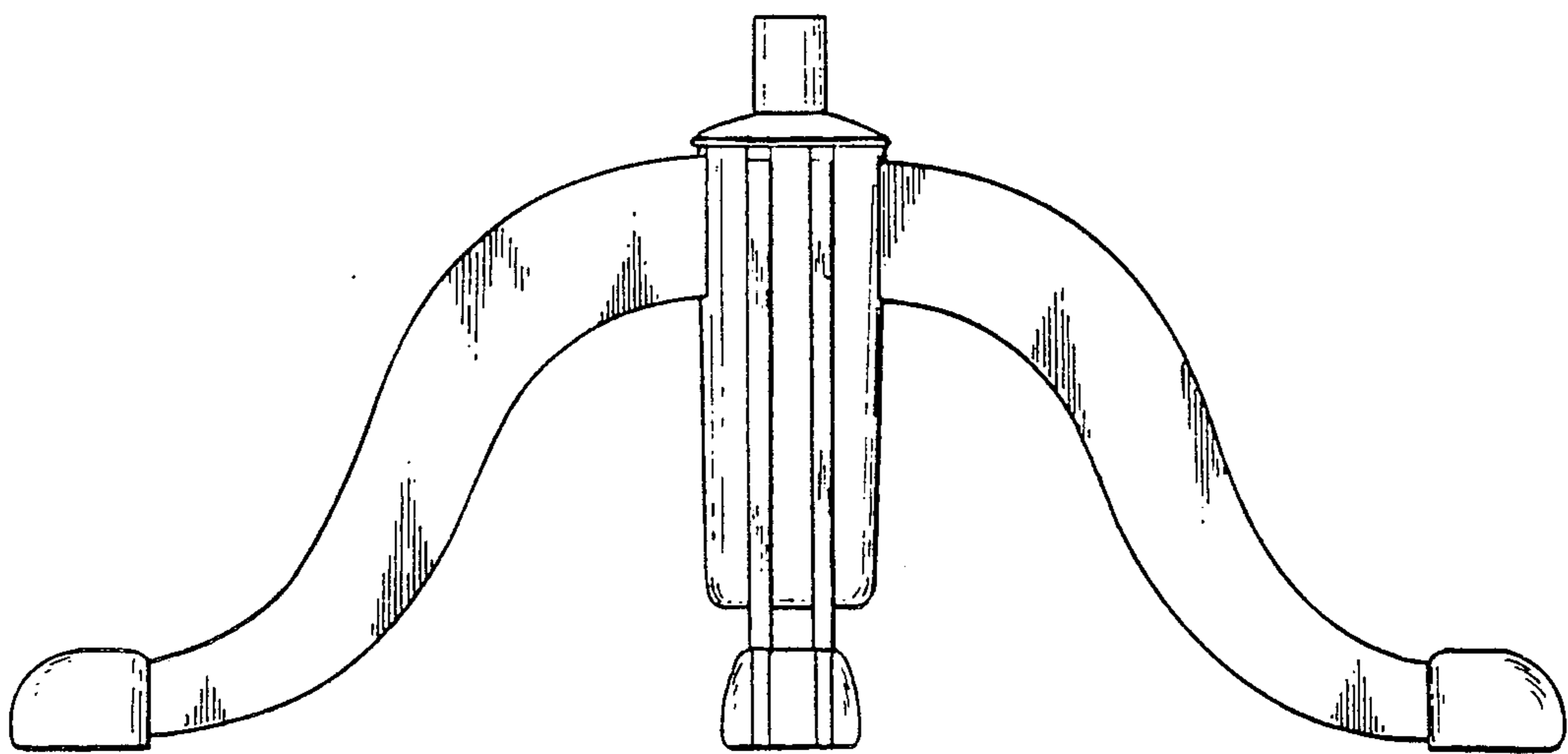


FIG. 10