



US00D326574S

# United States Patent [19]

[11] Patent Number: **Des. 326,574**

Albright et al.

[45] Date of Patent: **\*\* Jun. 2, 1992**

[54] **DISPLAYER FOR CHARGED ELECTRICAL PARTICLES**

1,624,507	4/1927	Reid	.....	D6/472	X
2,619,349	11/1952	Abrahamson	.....	446/484	X
4,754,199	6/1988	Parker	.....	315/85	
4,956,579	9/1990	Albright	.....	315/58	

[75] Inventors: **Larry W. Albright**, 419 Sunset Ave., Venice, Calif. 90291; **Laura L. Craig**, Los Angeles, Calif.

*Primary Examiner*—Bruce W. Dunkjns  
*Assistant Examiner*—Jeffrey Asch  
*Attorney, Agent, or Firm*—Spensley Horn Jubas & Lubitz

[73] Assignee: **Larry W. Albright**, Venice, Calif.

[\*\*] Term: **14 Years**

### [57] CLAIM

[21] Appl. No.: **243,933**

The ornamental design for a displayer for charged electrical particles, as shown.

[22] Filed: **Sep. 12, 1988**

### DESCRIPTION

[52] U.S. Cl. .... **D6/472; D11/131; D26/104**

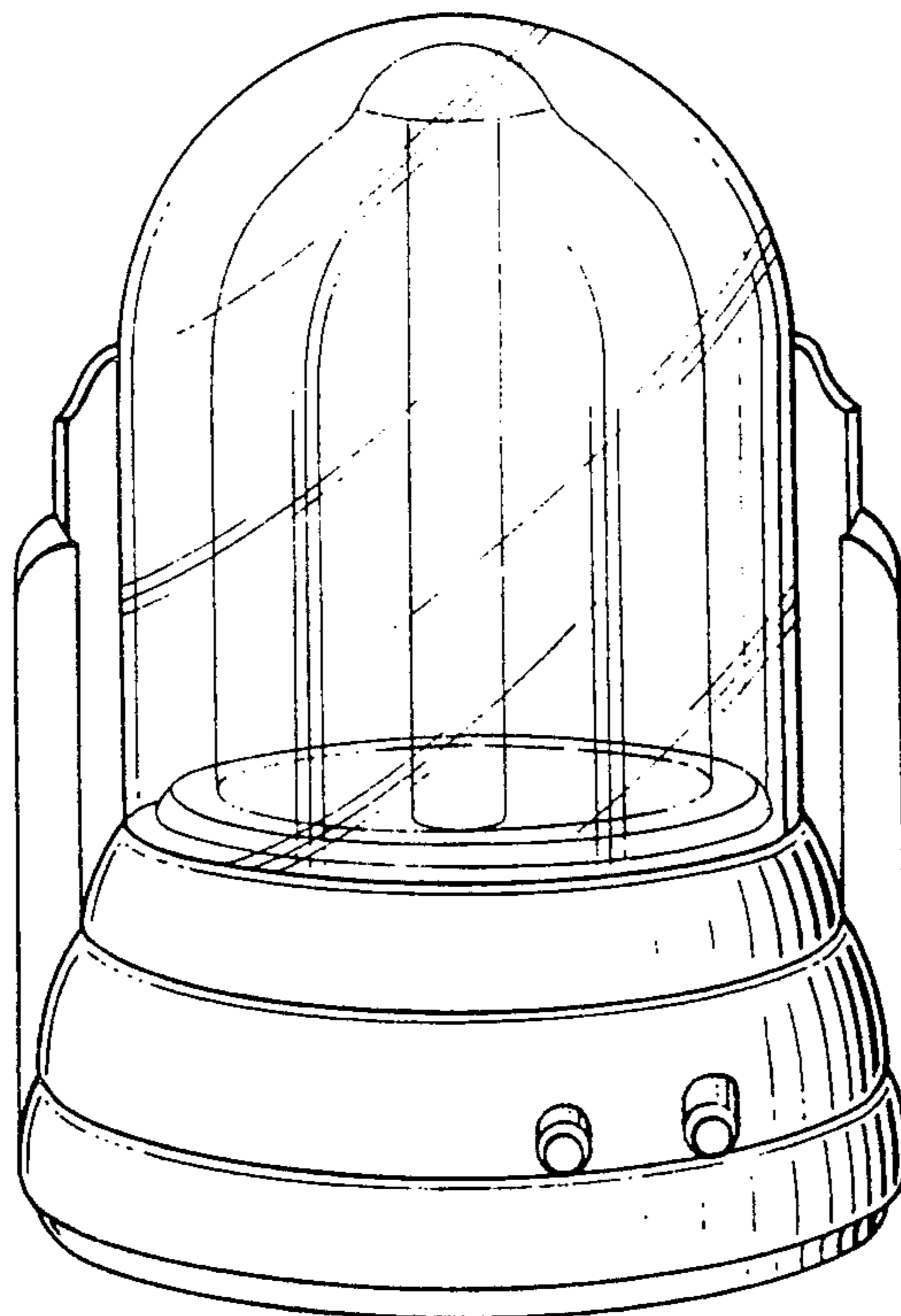
[58] **Field of Search** ..... **D6/449, 471, 472, 476, D6/455, 457, 458, 459, 460, 461; D19/78; D20/7; 211/13; 315/58, 85, 289; 446/484; D26/93, 104, 110, 112; D11/131**

FIG. 1 is a perspective view of a displayer for charged electrical particles showing our new design;  
 FIG. 2 is a top plan view;  
 FIG. 3 is a front elevational view;  
 FIG. 4 is a rear elevational view;  
 FIG. 5 is a left side elevational view;  
 FIG. 6 is a right side elevational view;  
 FIG. 7 is a bottom plan view;  
 FIG. 8 is a top plan view of a second embodiment of the displayer shown in FIG. 1;  
 FIG. 9 is a front elevational view;  
 FIG. 10 is a rear elevational view;  
 FIG. 11 is a left side elevational view; and,  
 FIG. 12 is a right side elevational view thereof.

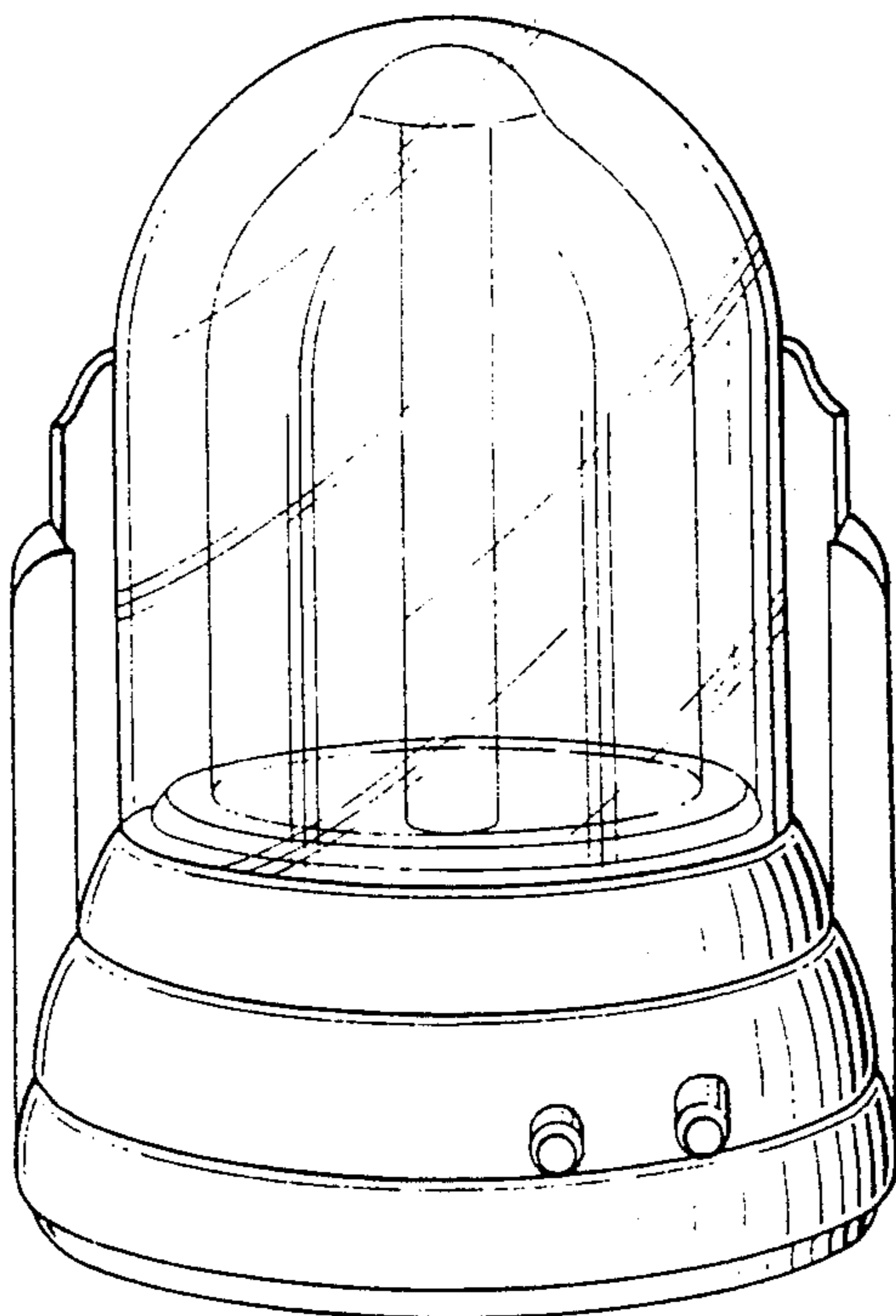
### [56] References Cited

#### U.S. PATENT DOCUMENTS

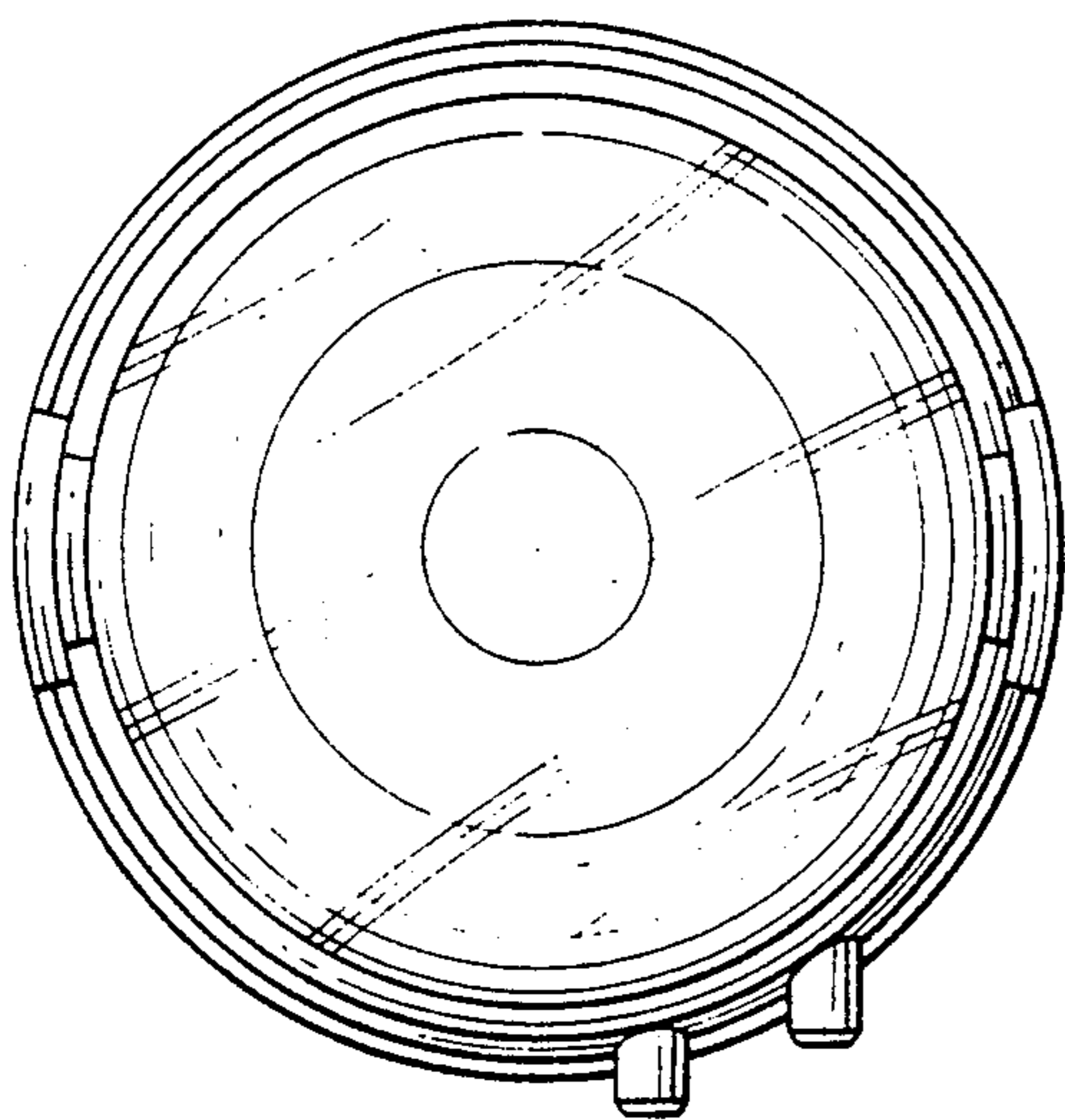
D. 35,519	12/1901	Price	.....	D20/7	X
D. 96,763	9/1935	Kennedy	.....	D26/104	
D. 111,982	11/1938	Kushner	.....	D6/457	
D. 231,637	5/1974	Stahel, II	.....	D19/78	
D. 237,431	11/1975	Dean	.....	D6/472	
D. 283,592	4/1986	Quarrell et al.	.....	D6/472	X



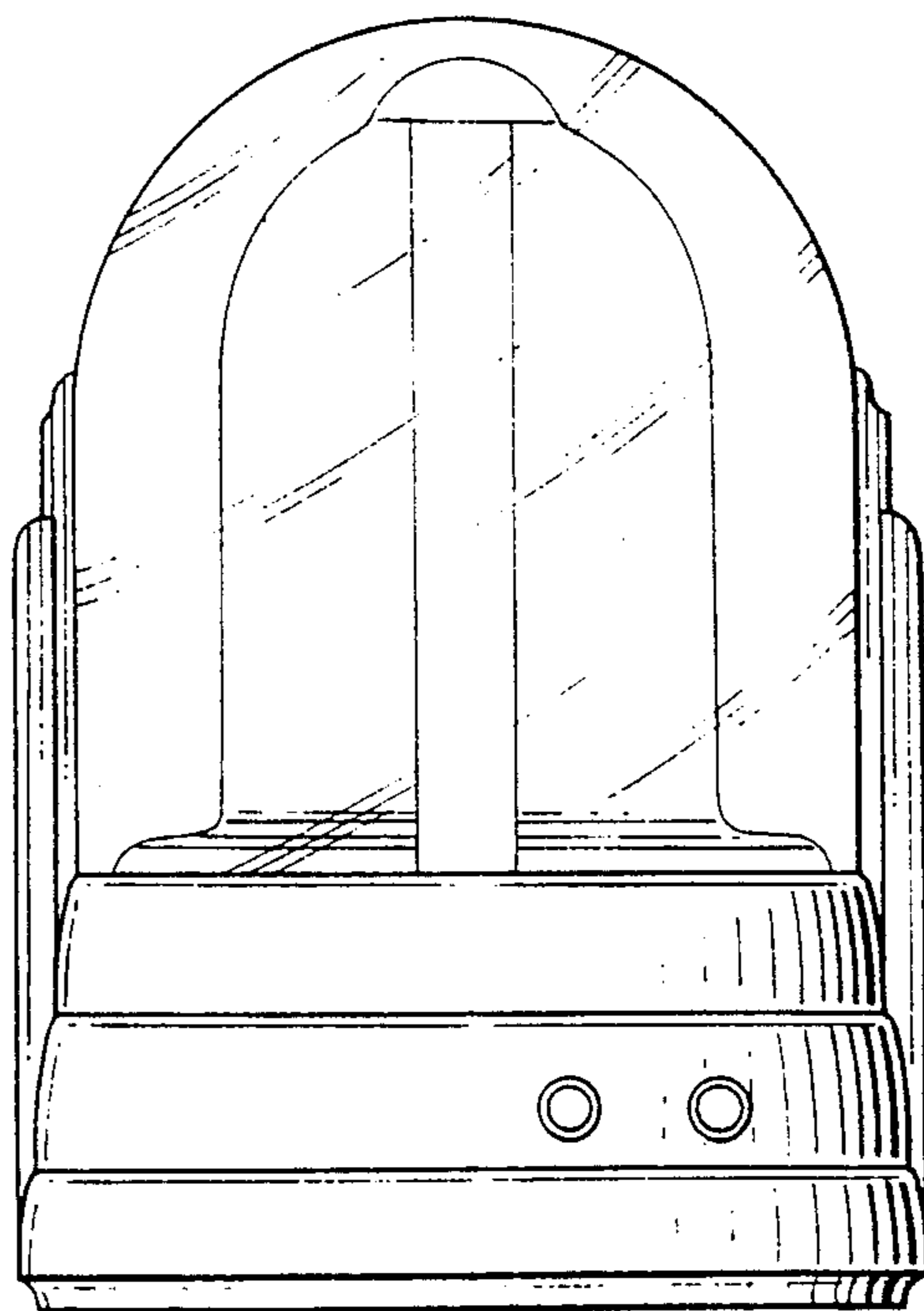
*FIG. 1*



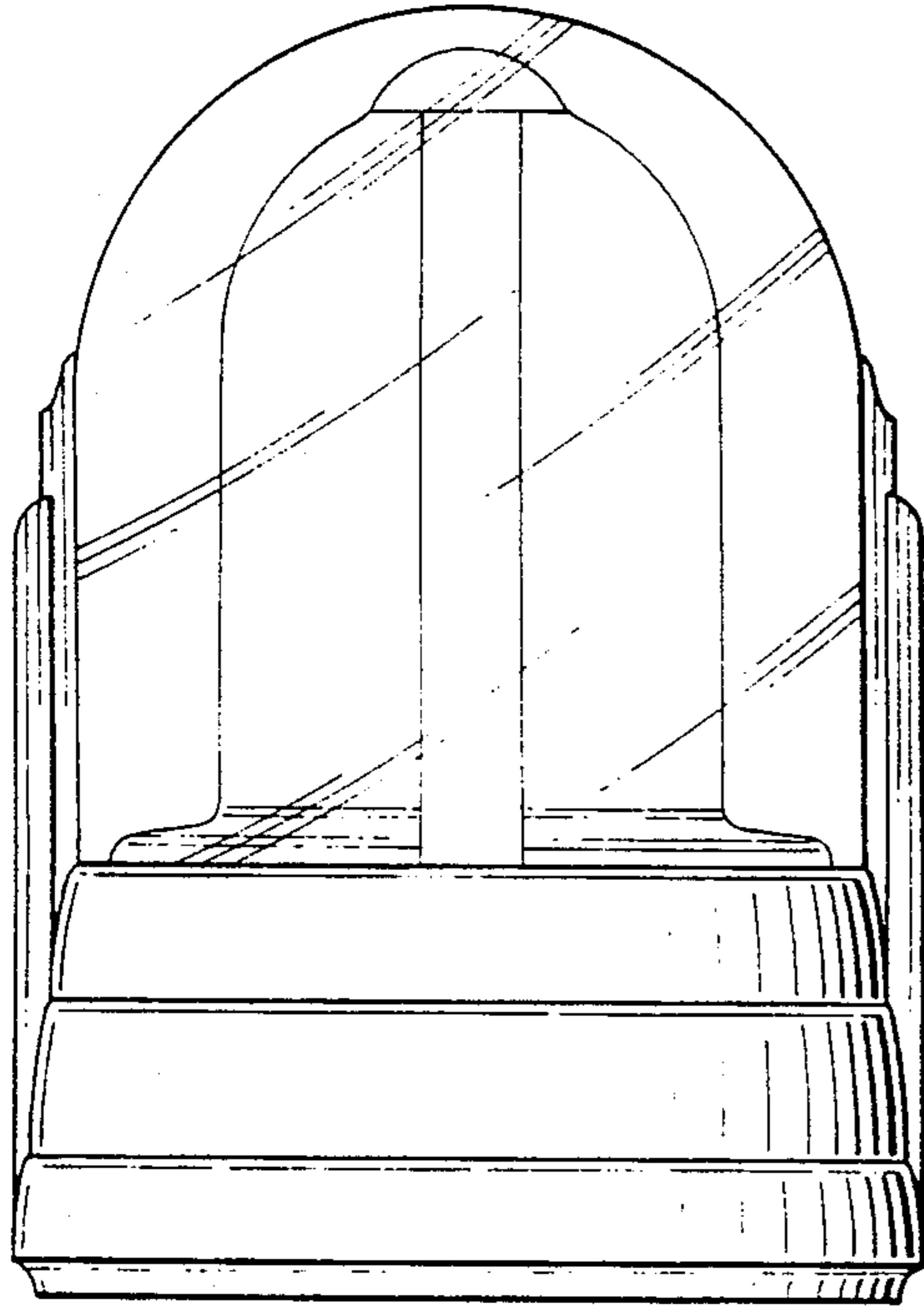
*FIG. 2*



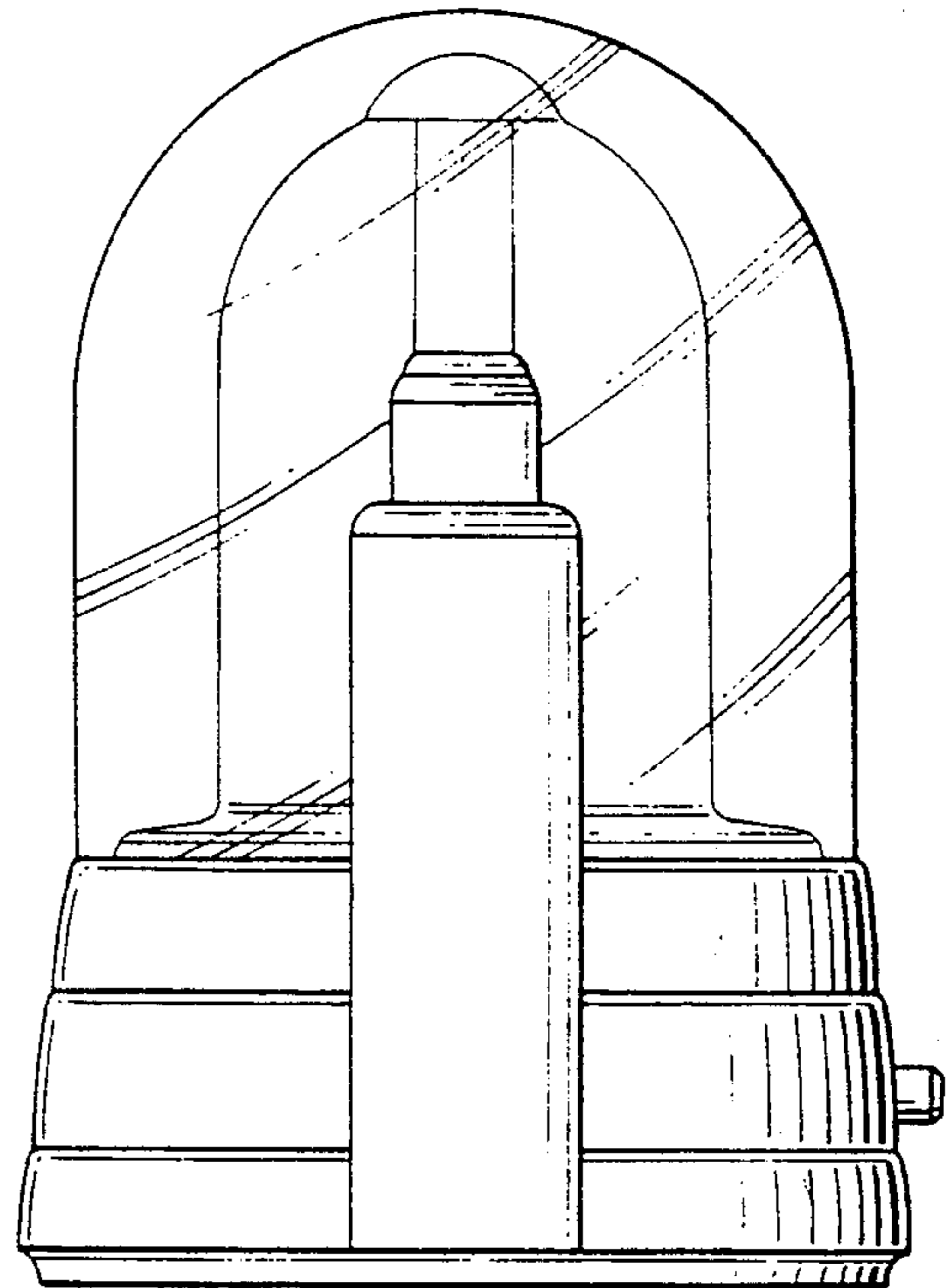
*FIG. 3*



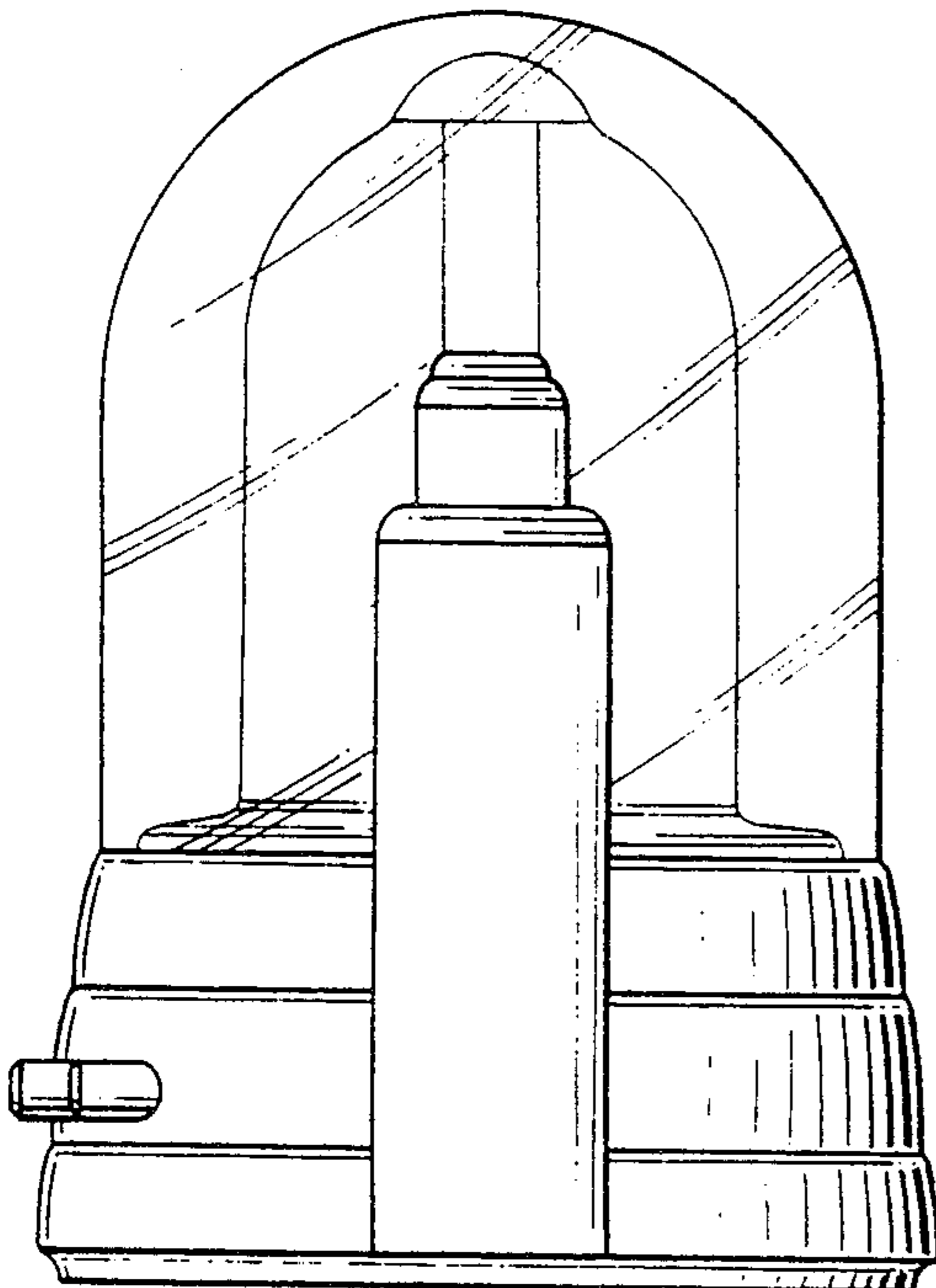
*Fig. 4*



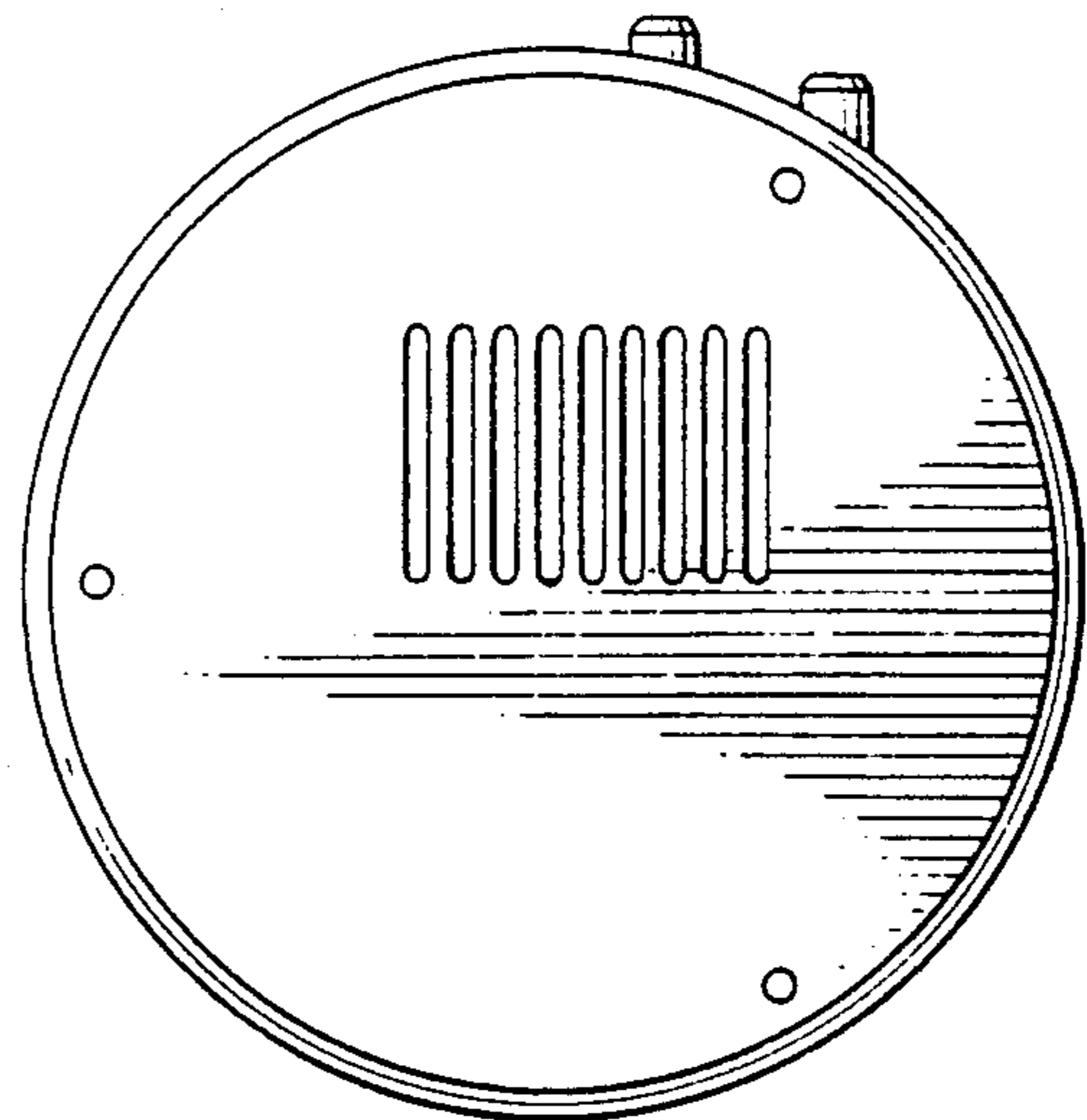
*Fig. 5*



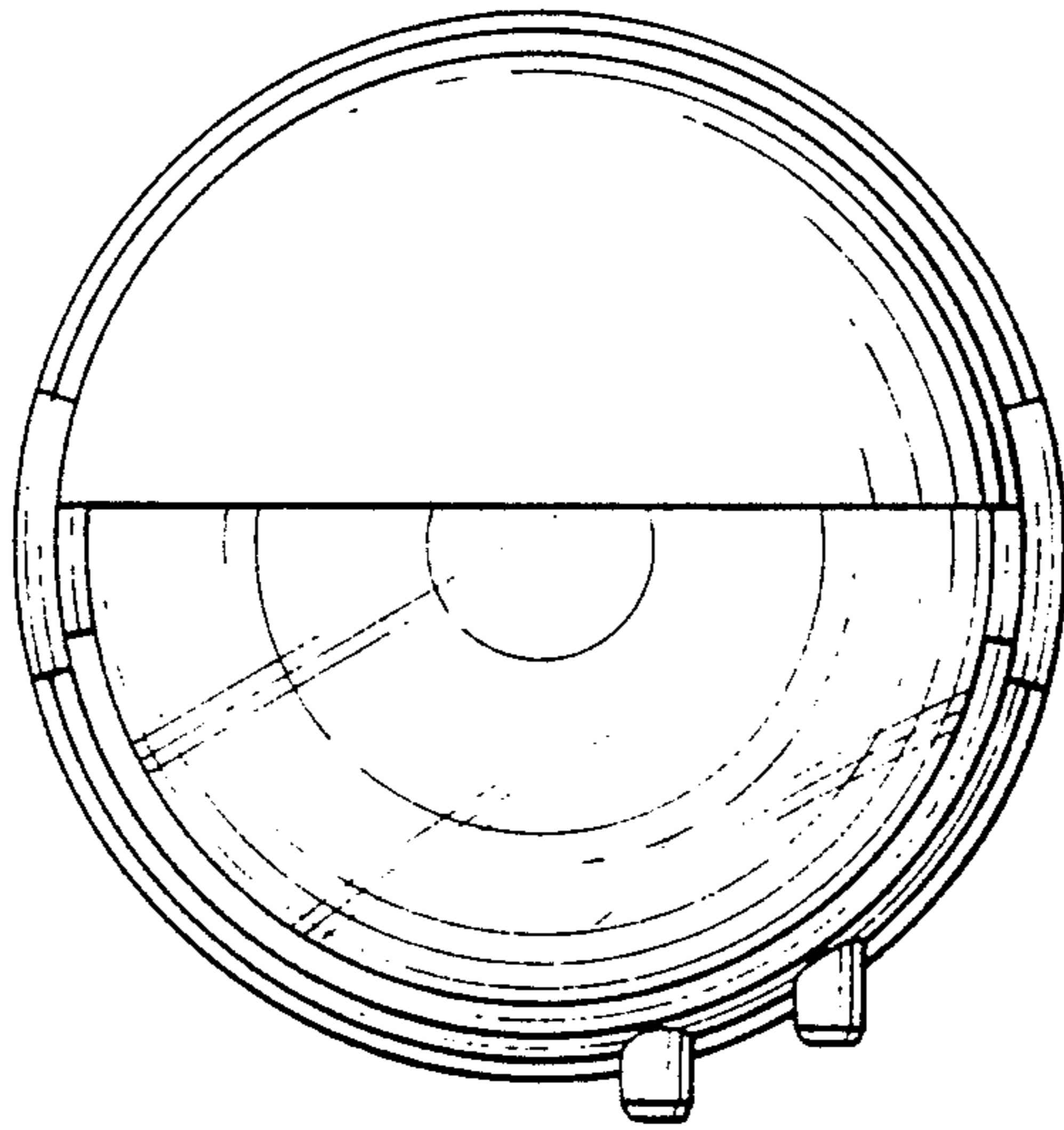
*Fig. 6*



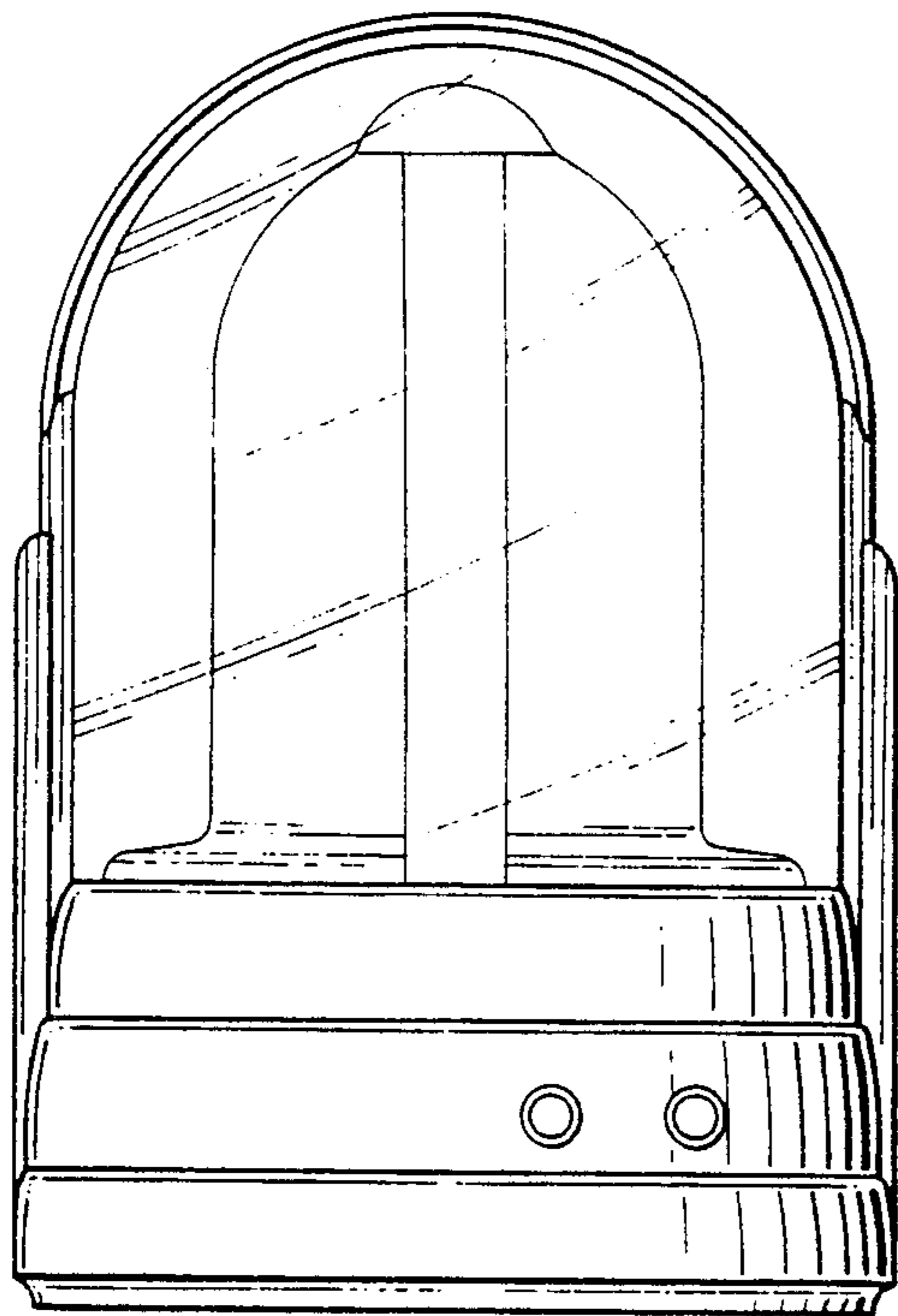
*Fig. 7*



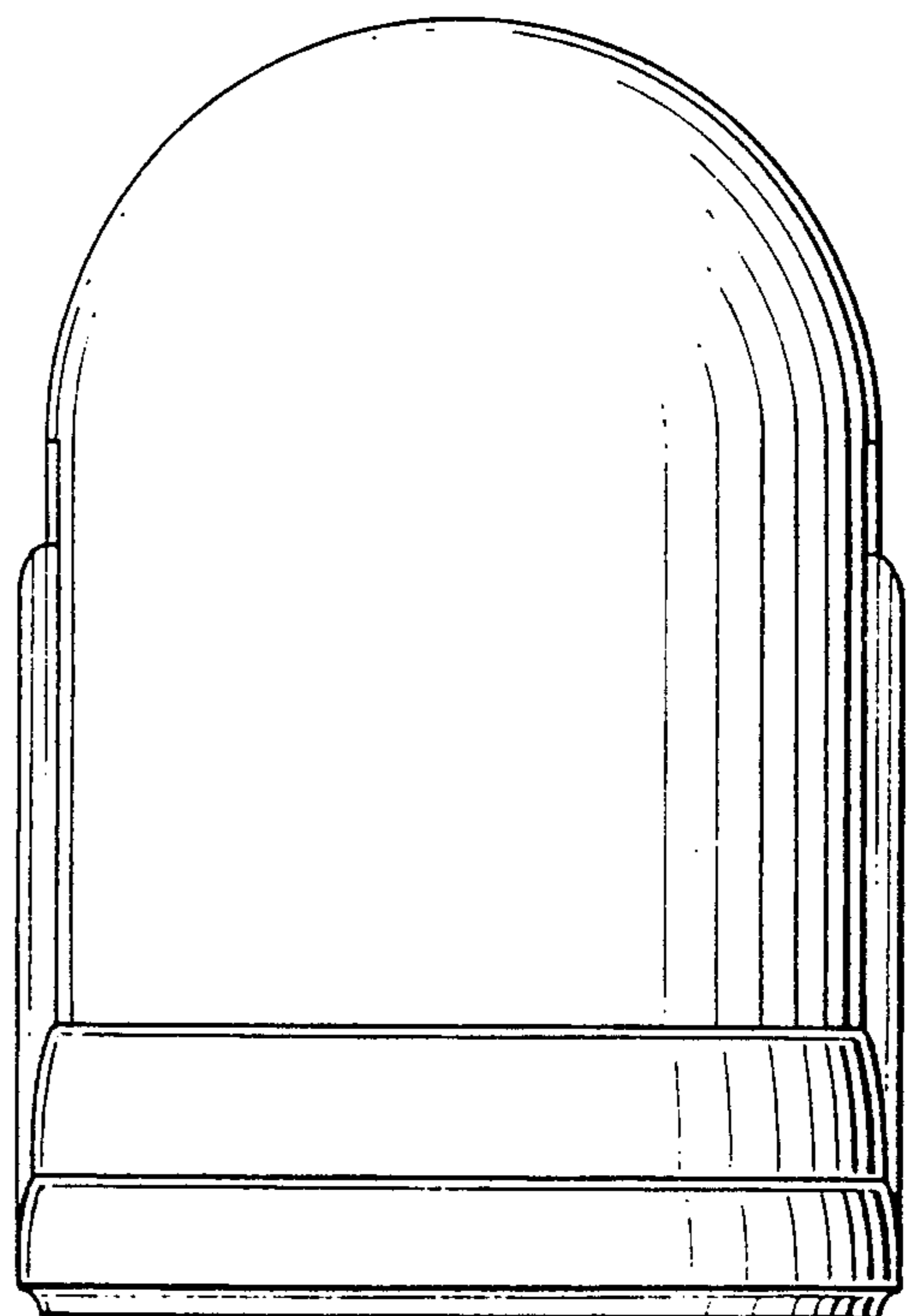
*FIG. 8*

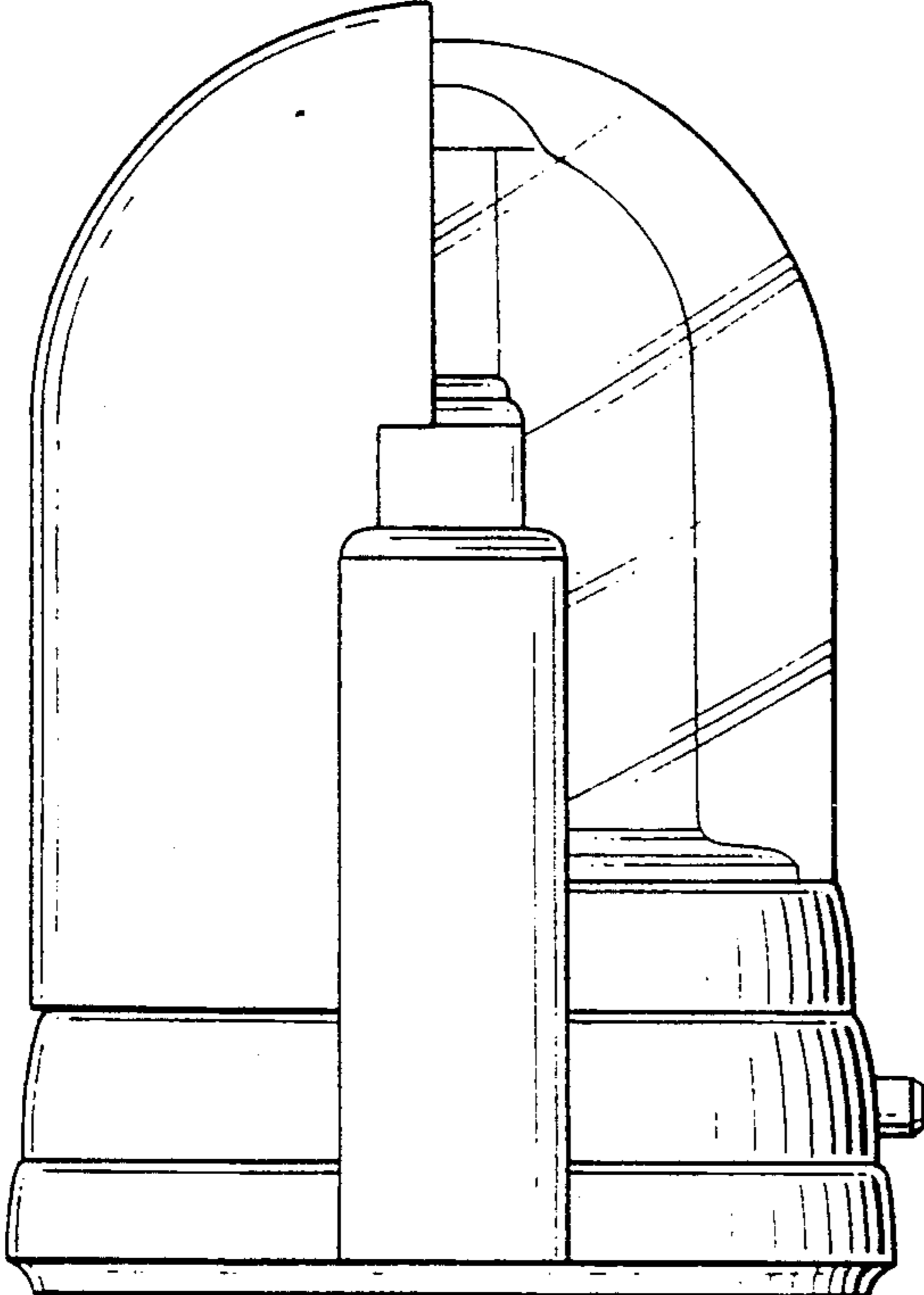


*FIG. 9*



*FIG. 10*





*Fig. 11*

*Fig. 12*

