



US00D326570S

United States Patent [19]

[11] Patent Number: **Des. 326,570**

Heilman

[45] Date of Patent: **** Jun. 2, 1992**

[54] **DISPLAY FIXTURE**

[75] Inventor: **George Heilman, New York, N.Y.**

[73] Assignee: **Genal Strap, Inc., Long Island City, N.Y.**

[**] Term: **14 Years**

[21] Appl. No.: **420,130**

[22] Filed: **Oct. 10, 1989**

[52] U.S. Cl. **D6/415; D6/396; D6/410; D6/411; D6/457; D6/465; 211/70; 211/181**

[58] Field of Search **D6/415, 397, 408, 393, D6/411, 465, 422, 432, 436, 444, 446, 448; 211/13, 43, 144, 163, 181, 195, 59.1, 175**

[56] **References Cited**

U.S. PATENT DOCUMENTS

D. 168,997	3/1953	Horwitz	D6/399
D. 173,175	10/1954	Vaughan	D6/465 X
D. 179,891	3/1957	Flannery	D6/415 X

D. 189,946	3/1961	Daugherty	211/70 X
D. 206,141	11/1966	Smith	D6/457
D. 212,267	9/1968	Dreyfuss	D6/457
D. 228,538	10/1973	Cohen	D6/415 X
D. 285,758	9/1986	March	D6/465
D. 287,442	12/1986	Arthur	D6/457 X
887,401	5/1908	Klotz	211/181 X

Primary Examiner—Donald P. Walsh
Assistant Examiner—Monica A. Hannon
Attorney, Agent, or Firm—James & Franklin

[57] CLAIM

The ornamental design for a display fixture, as shown and described.

DESCRIPTION

FIG. 1 is a top plan view of a display fixture showing my new design;
FIG. 2 is a bottom view of my design;
FIG. 3 is a left side elevational view;
FIG. 4 is a right side elevational view; and,
FIG. 5 is a left side perspective view.

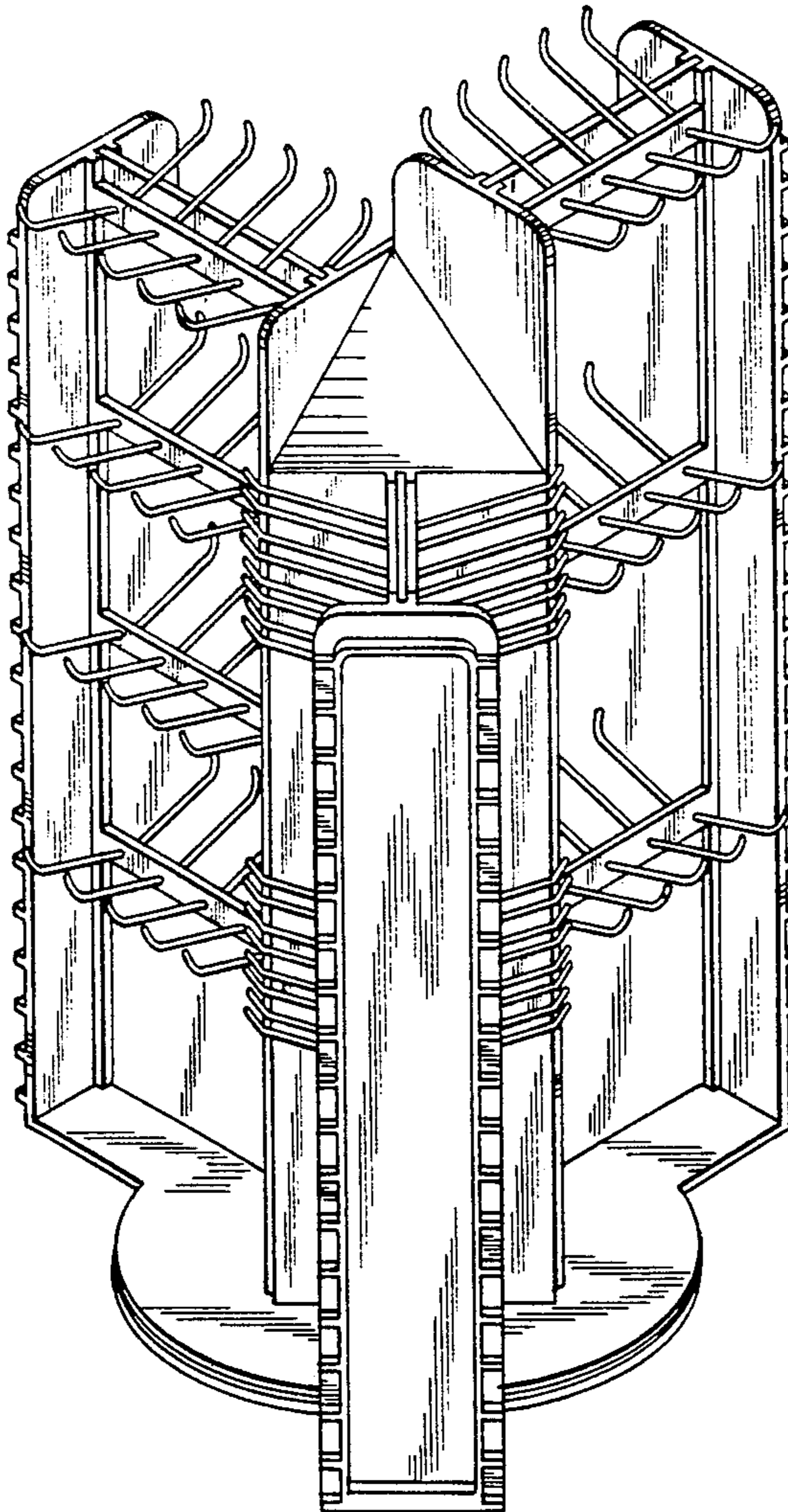


FIG. 1

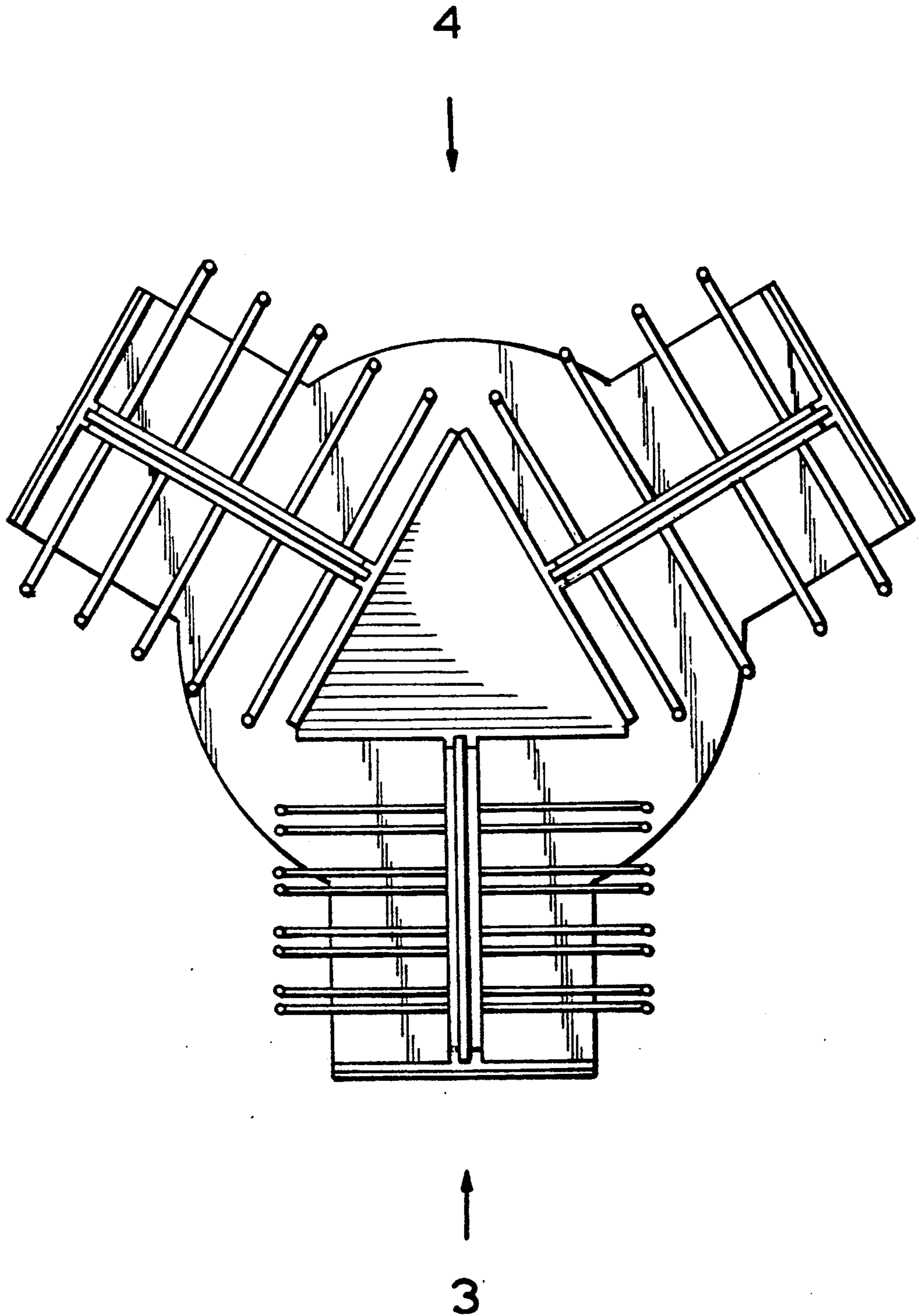
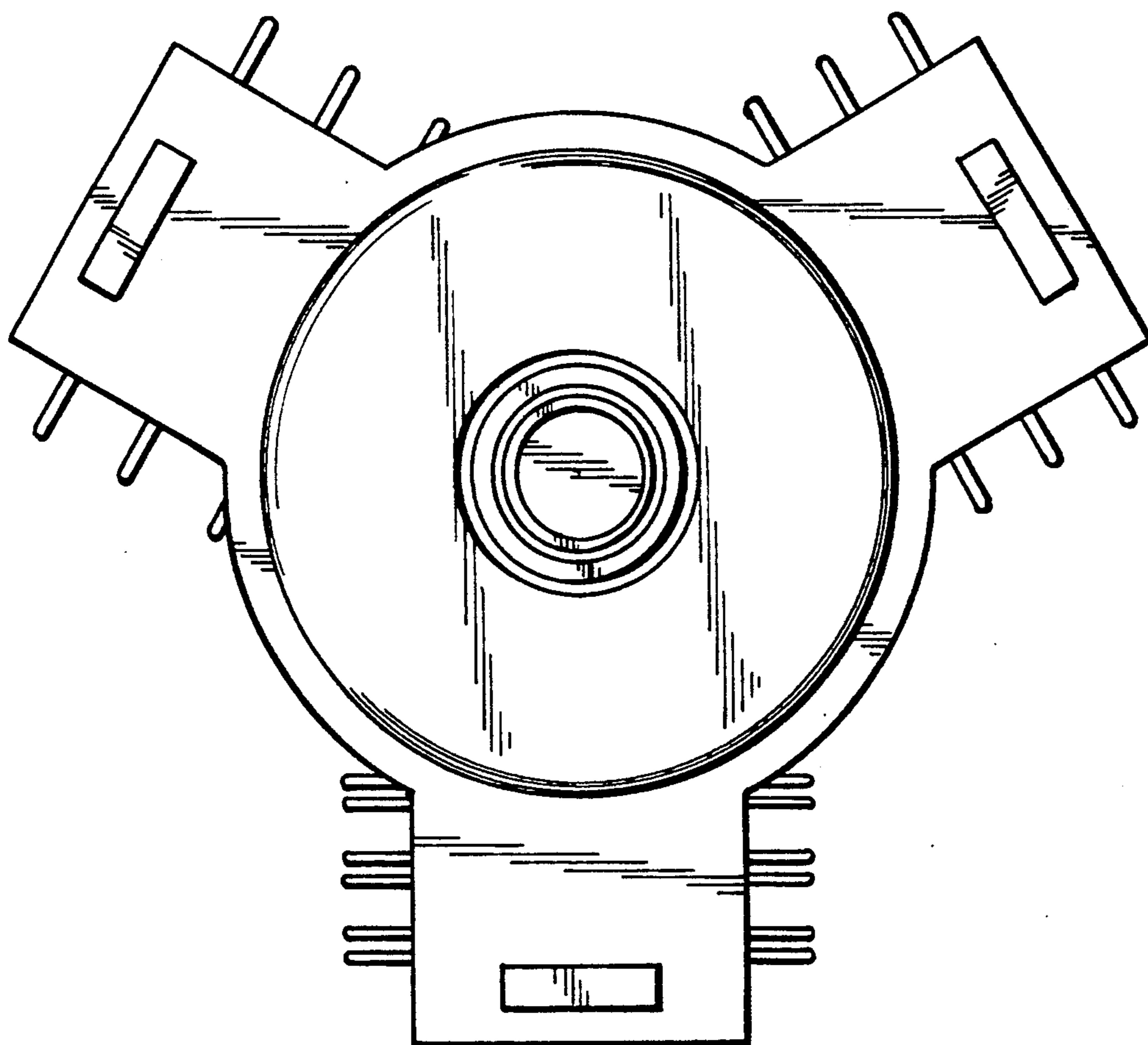


FIG. 2



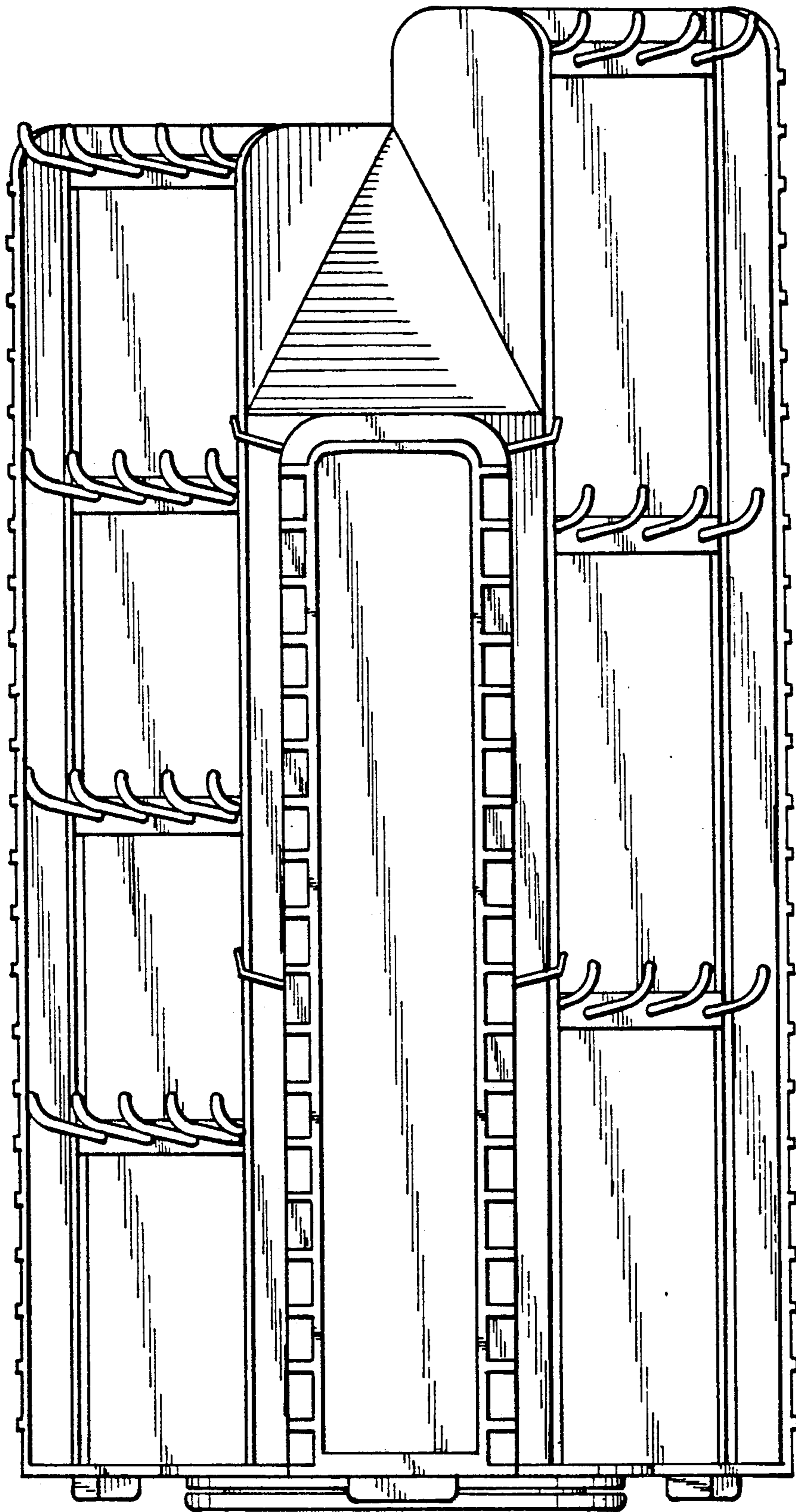


FIG. 3

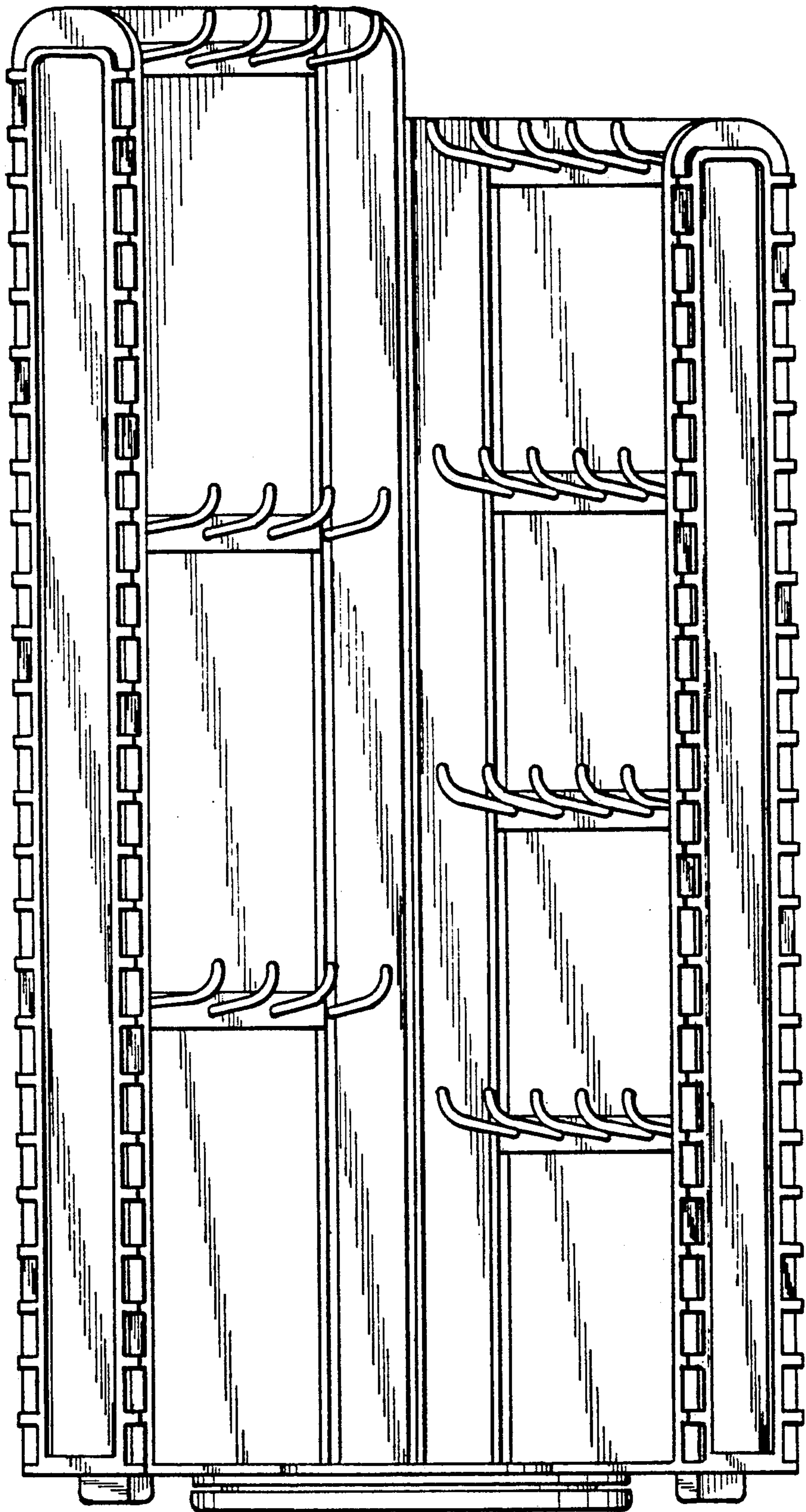


FIG. 4

FIG. 5

