



US00D326566S

United States Patent [19]
McNeil

[11] **Patent Number: Des. 326,566**

[45] **Date of Patent: ** Jun. 2, 1992**

[54] **THEATER-CHAIR-SUPPORTED SEAT**

[76] **Inventor: Marquis M. McNeil, P.O. Box 14066, Portland, Oreg. 97214**

[**] **Term: 14 Years**

[21] **Appl. No.: 390,345**

[22] **Filed: Aug. 7, 1989**

[52] **U.S. Cl. D6/333; D6/334; D6/335; D6/336; D6/340; D6/502**

[58] **Field of Search D6/333, 334, 335, 337, D6/339, 340, 344, 346, 347, 349, 350, 356, 364, 365, 366, 370, 379, 496, 497, 498, 499, 500, 501, 502, 503; D21/123; D34/23**

[56] **References Cited**

U.S. PATENT DOCUMENTS

D. 306,843 3/1990 McConnell D6/502 X
D. 321,449 11/1991 Meeker D6/333 X

4.231,613 11/1980 Jonasson et al. D6/502 X

Primary Examiner—Donald P. Walsh
Assistant Examiner—Monica A. Hannon
Attorney, Agent, or Firm—Kolisich, Hartwell, Dickinson McCormack & Heuser

[57] **CLAIM**

The ornamental design for a theater-chair-supported seat, as shown and described.

DESCRIPTION

FIG. 1 is a bottom perspective view of a theater-chair-supported seat showing my new design; FIG. 2 is a bottom plan view thereof; FIG. 3 is an end elevational view thereof; FIG. 4 is a top plan view thereof; FIG. 5 is a side elevational view thereof; and, FIG. 6 is an end elevational view, showing the end opposite of that shown in FIG. 3.

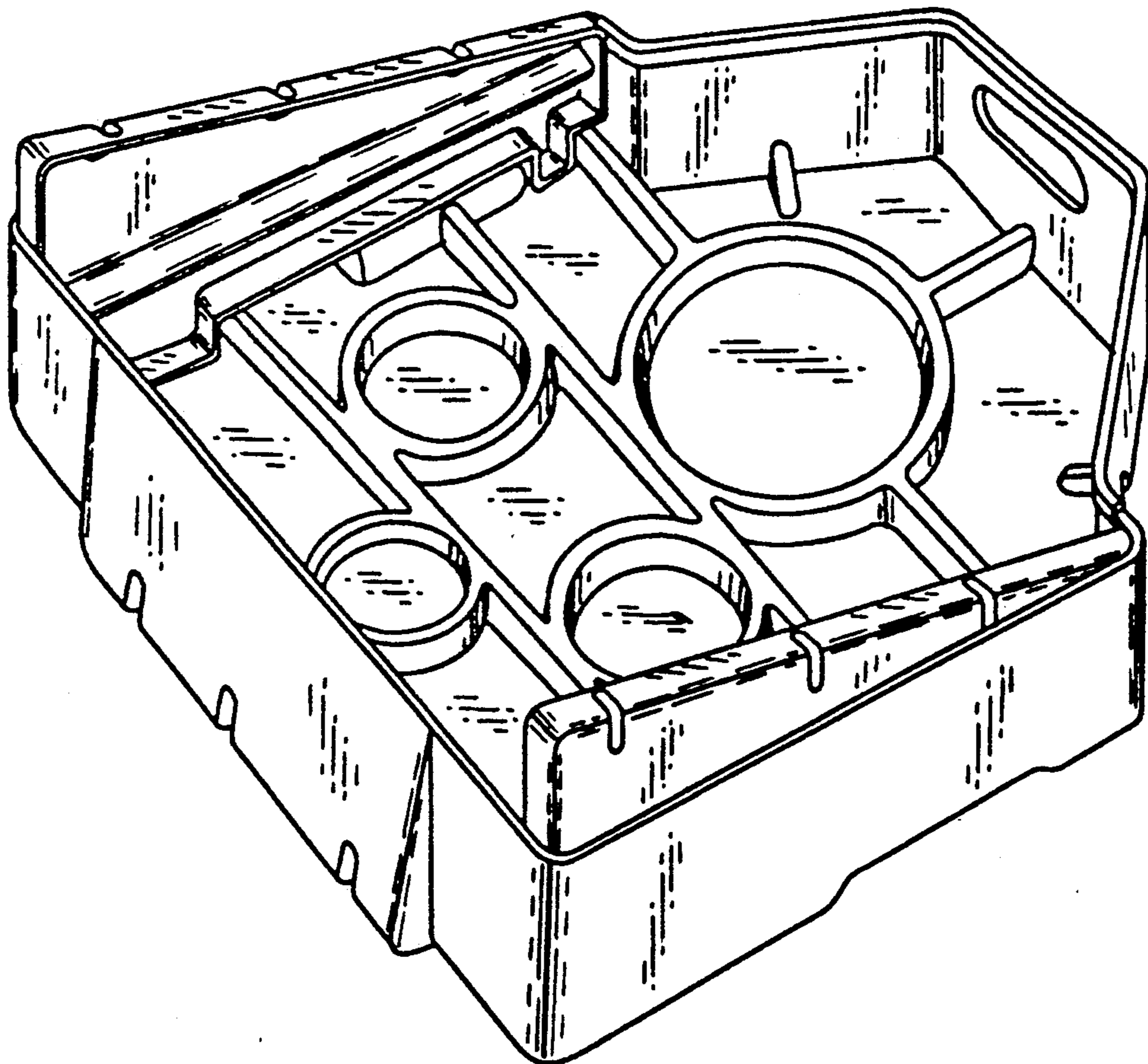


FIG. 1

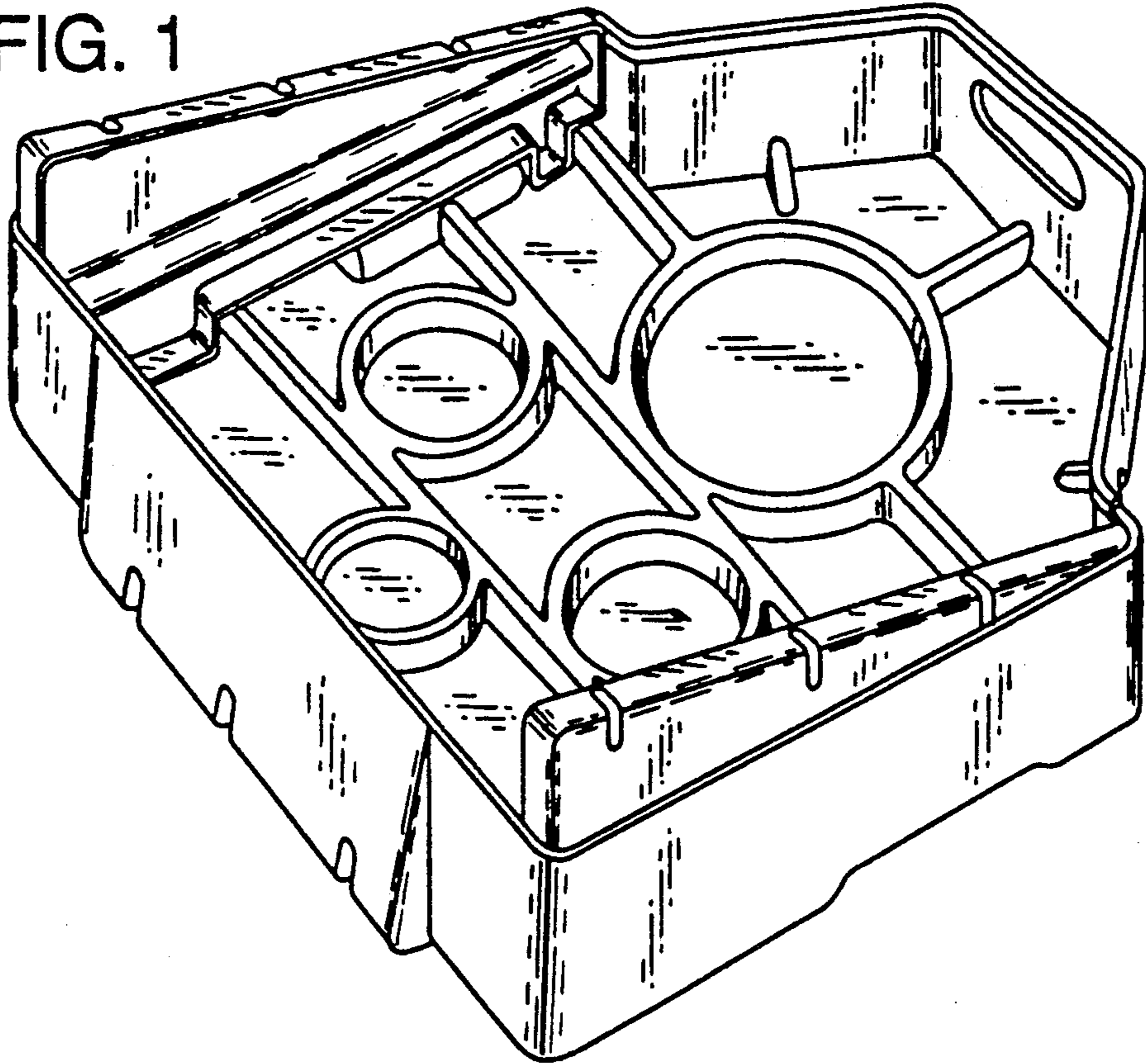


FIG. 2

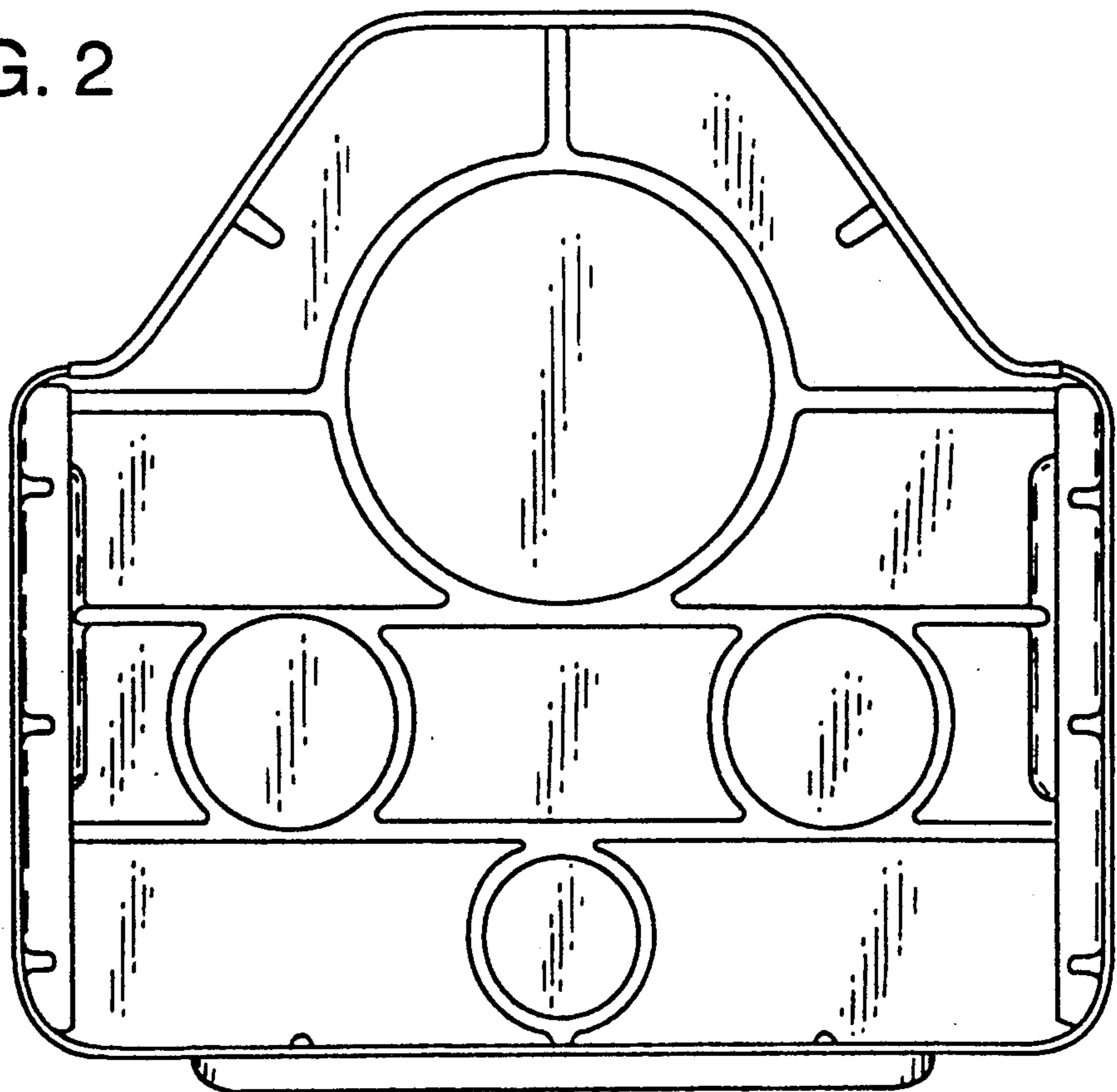


FIG. 3

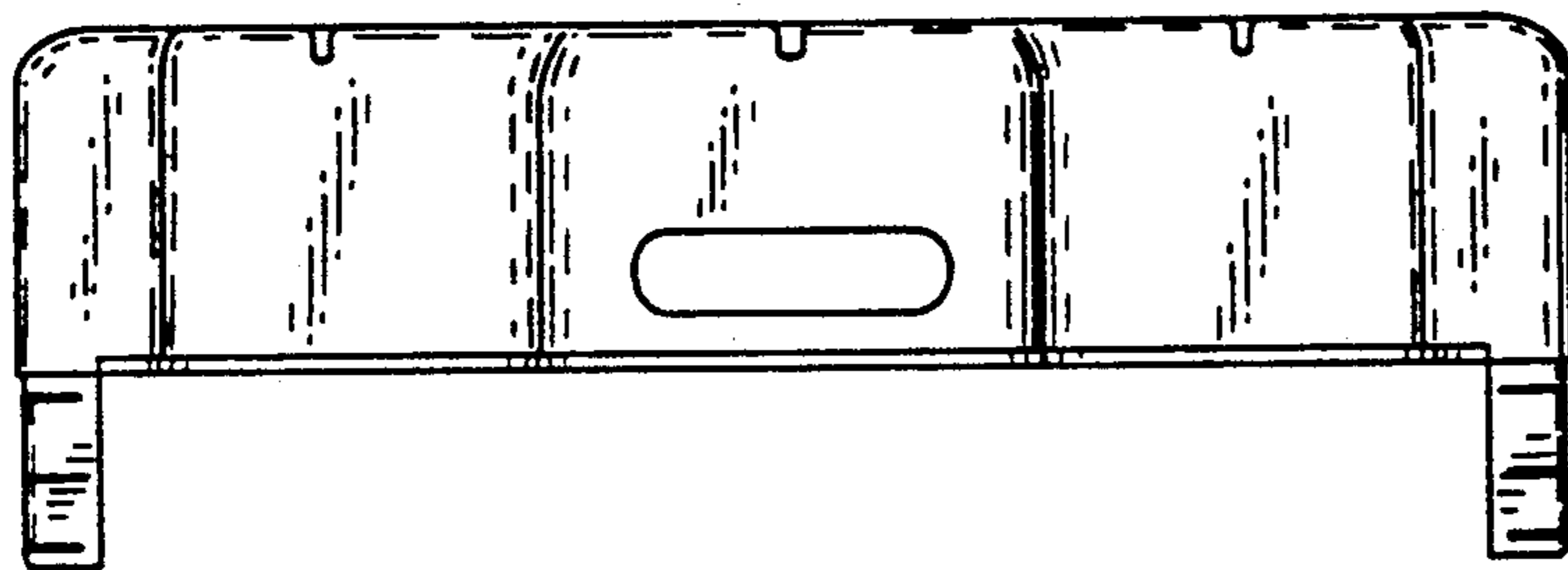


FIG. 4

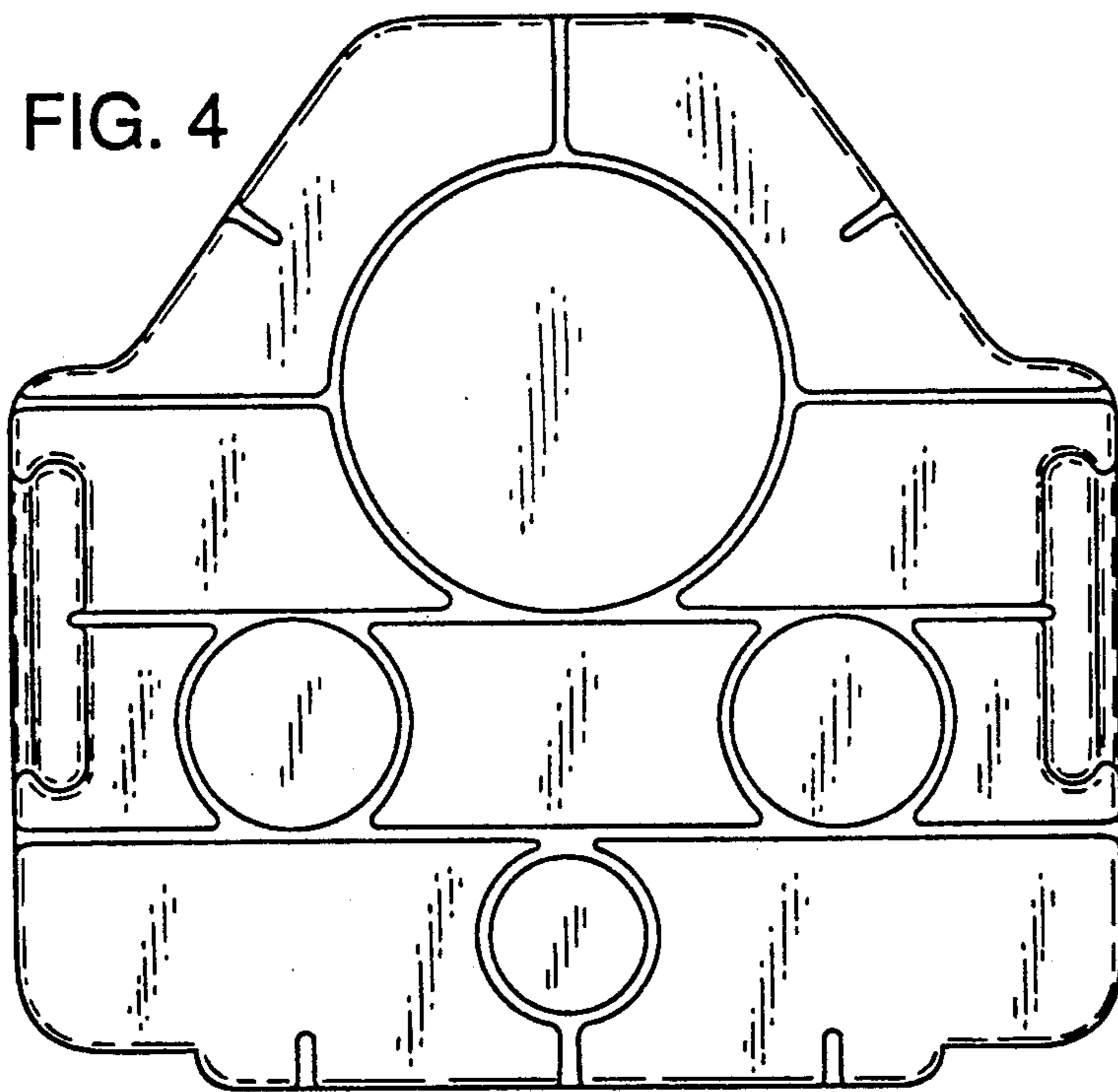


FIG. 6

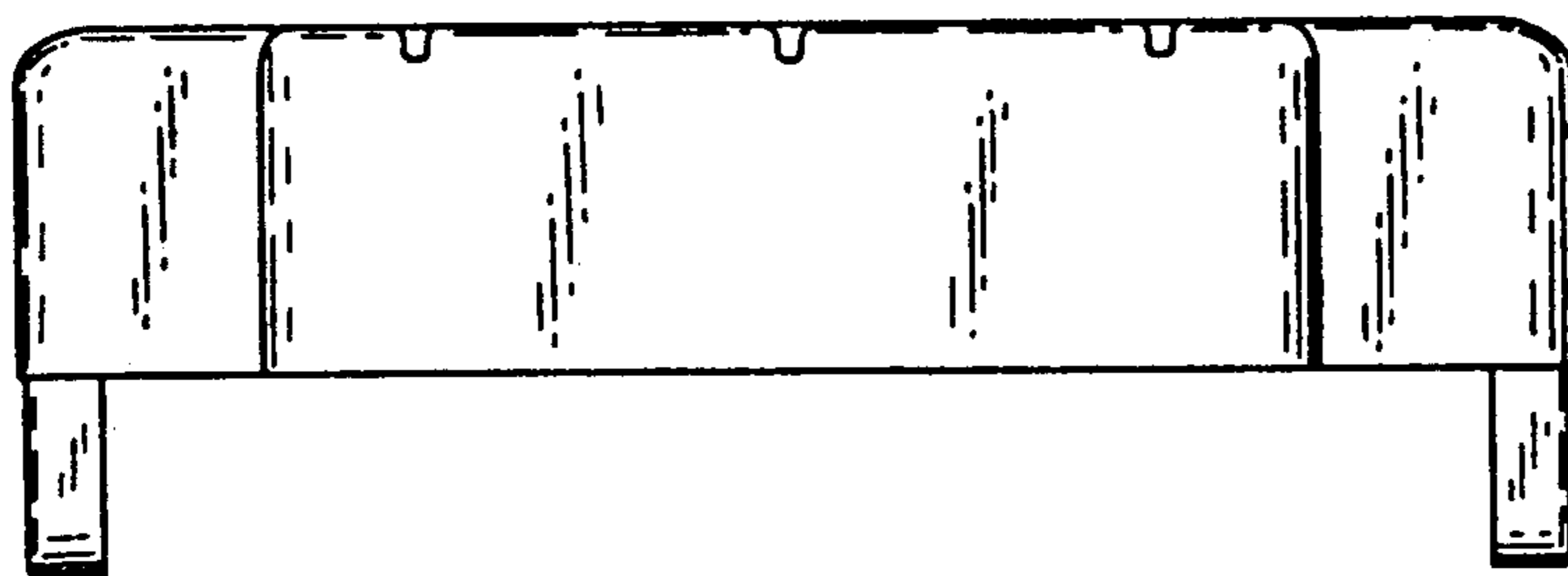


FIG. 5

