



US00D326564S

# United States Patent [19]

[11] Patent Number: **Des. 326,564**

Emery

[45] Date of Patent: **\*\* Jun. 2, 1992**

- [54] RACK
- [75] Inventor: **William W. Emery**, Berkeley Heights, N.J.
- [73] Assignee: **Better Sleep Manufacturing Co.**, Berkeley Heights, N.J.
- [\*\*] Term: **14 Years**
- [21] Appl. No.: **588,297**
- [22] Filed: **Sep. 24, 1990**
- [52] U.S. Cl. .... **D6/317; D6/323; D6/566; D6/569**
- [58] Field of Search ..... **D6/320, 323, 566, 569; D8/370, 372, 373; 211/87, 106**

- D. 295,344 4/1988 Pryor et al. .... D6/323
- D. 301,523 6/1989 Barbieri et al. .... D6/323
- 3,659,722 5/1972 Carroll ..... 211/106

### FOREIGN PATENT DOCUMENTS

- 0122735 5/1931 Austria ..... 211/87

*Primary Examiner*—B. J. Bullock  
*Attorney, Agent, or Firm*—Hopgood, Calimafde

### [57] CLAIM

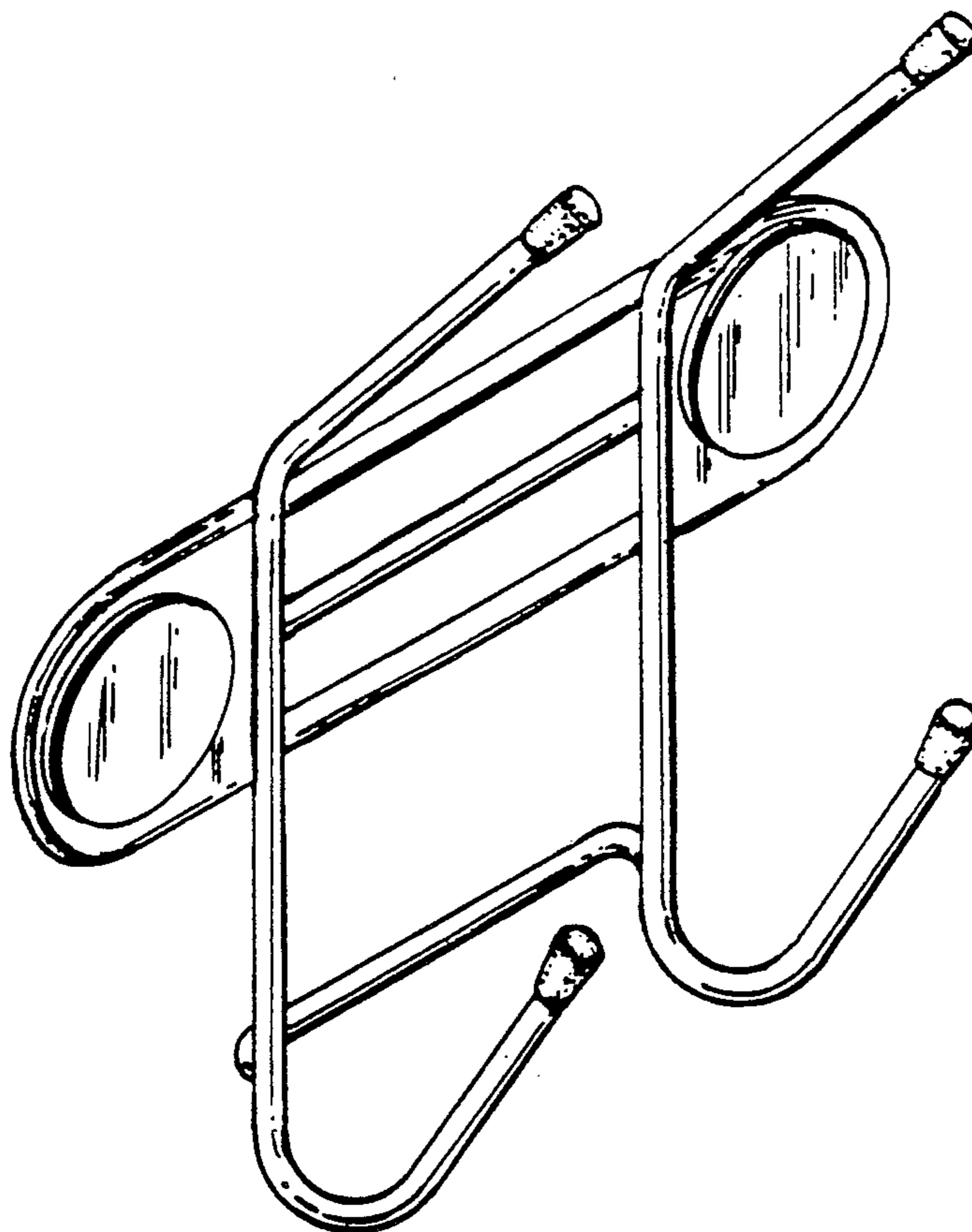
The ornamental design for a rack, as shown.

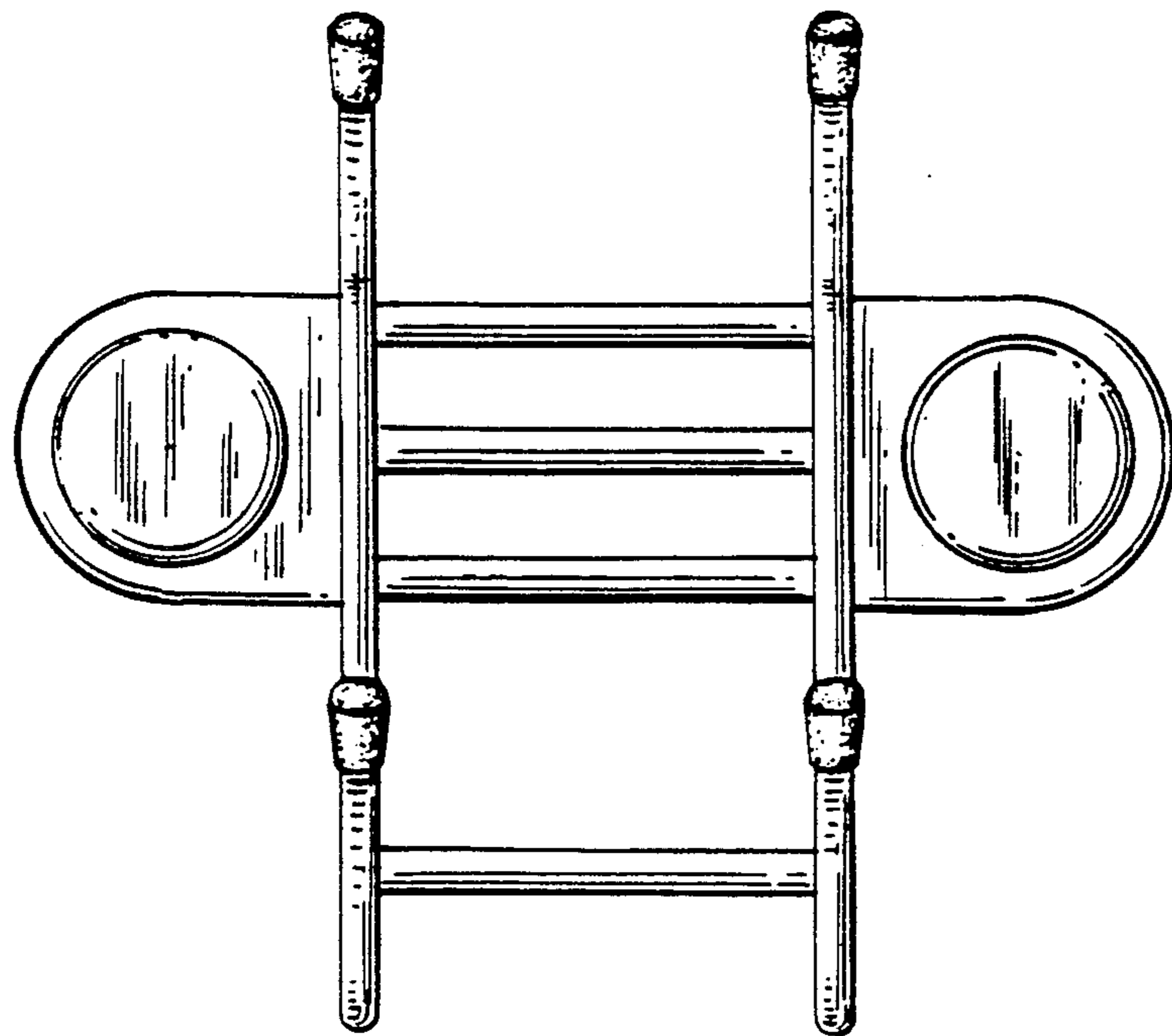
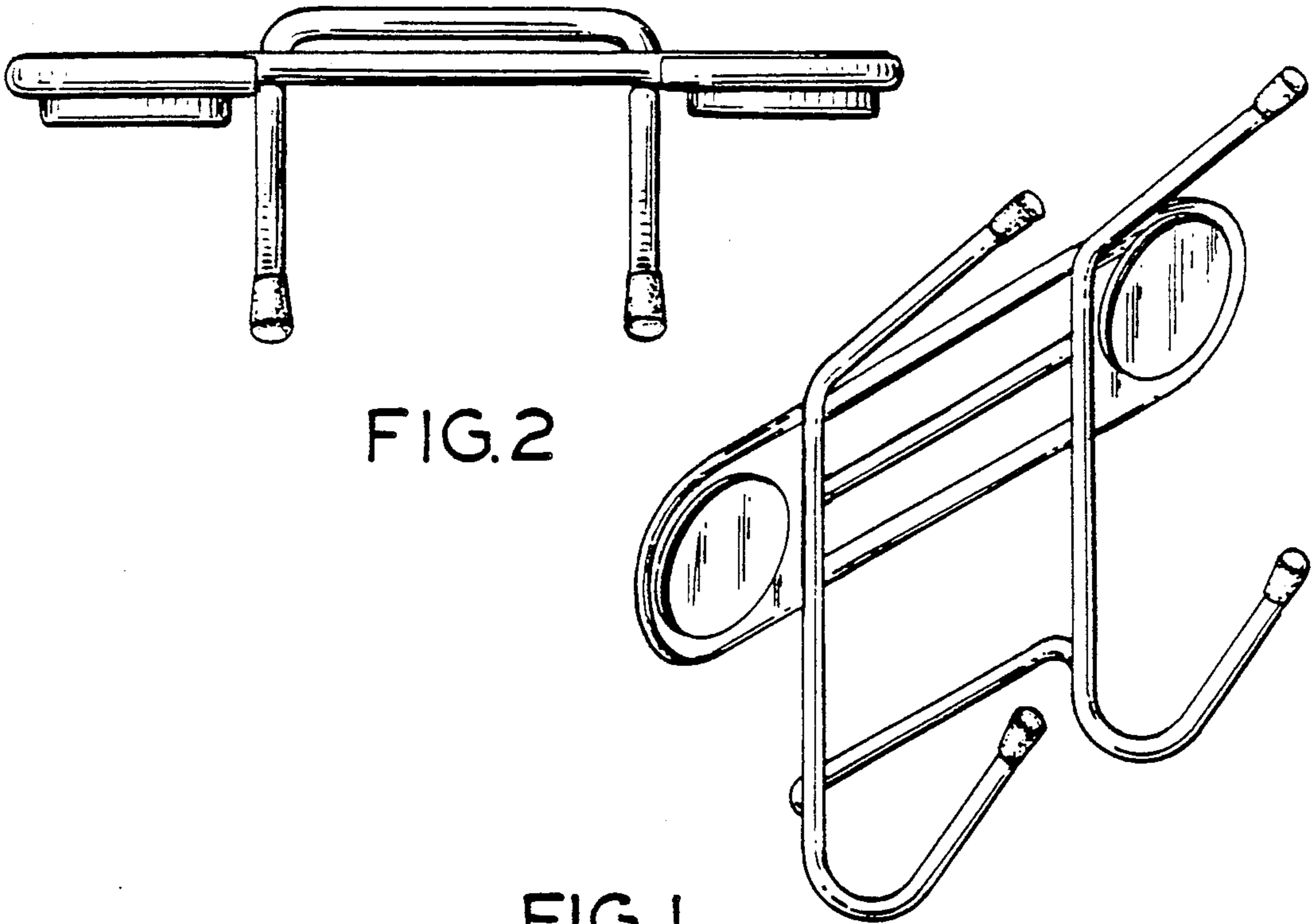
### DESCRIPTION

FIG. 1 is a front perspective view of a rack showing my new design;  
 FIG. 2 is a top plan view thereof;  
 FIG. 3 is a front elevational view thereof;  
 FIG. 4 is a left side elevational view thereof, the right side being a mirror image;  
 FIG. 5 is a rear elevational view thereof; and  
 FIG. 6 is a bottom plan view thereof.

[56] **References Cited**  
**U.S. PATENT DOCUMENTS**

- D. 236,567 9/1975 Ballin ..... D6/323
- D. 271,545 11/1983 Licari et al. .... D6/323





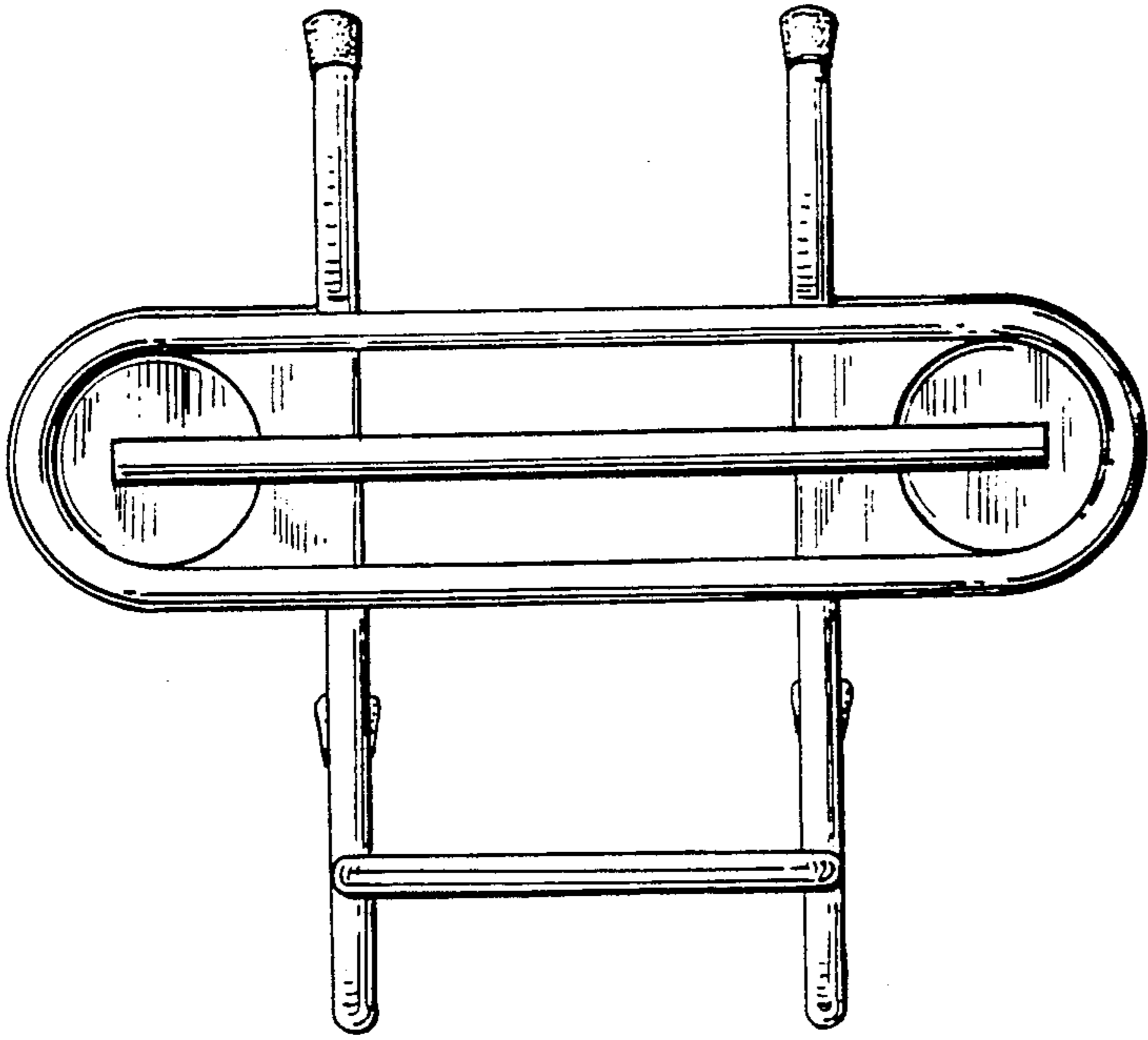


FIG. 5

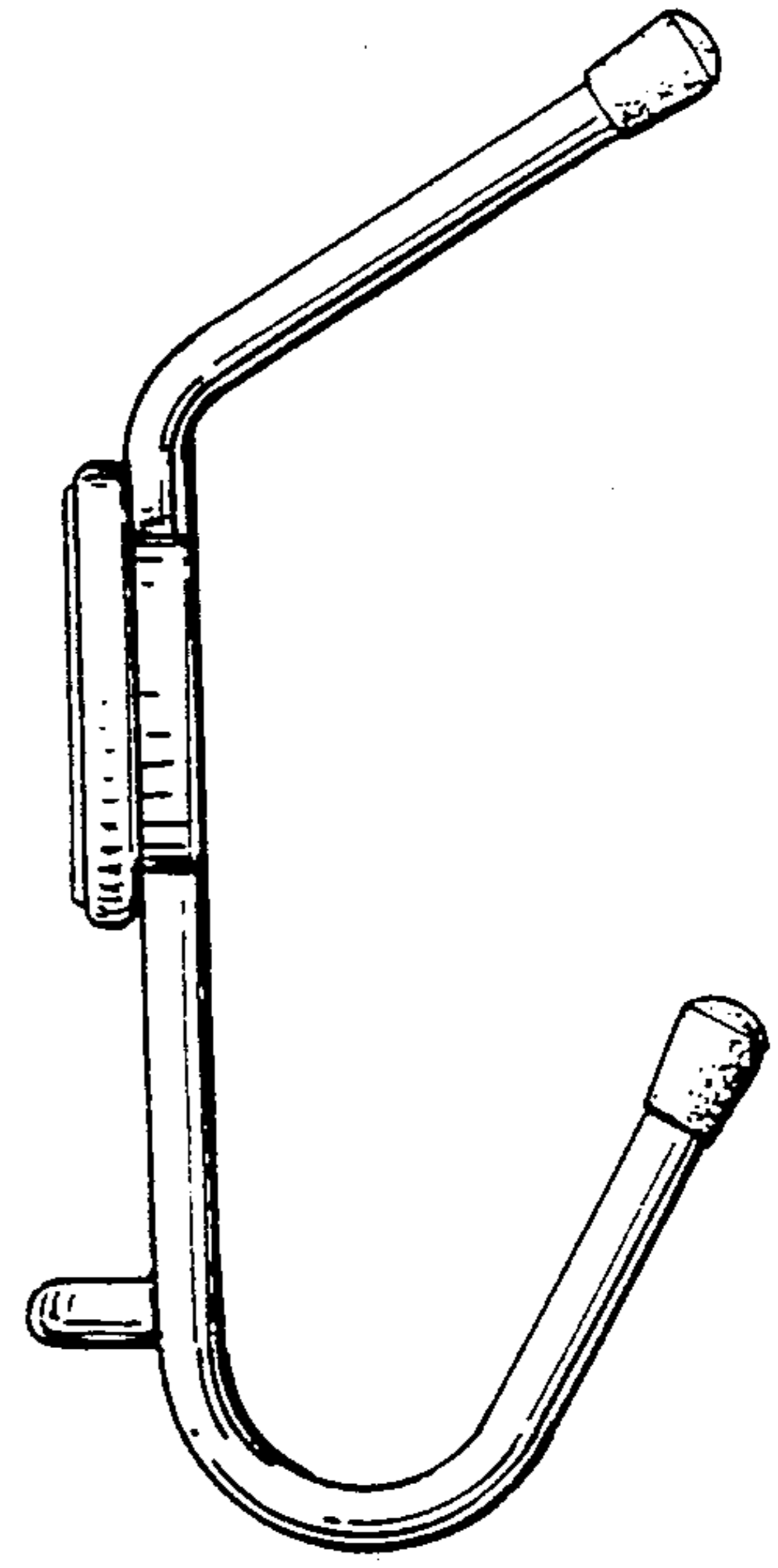


FIG. 4

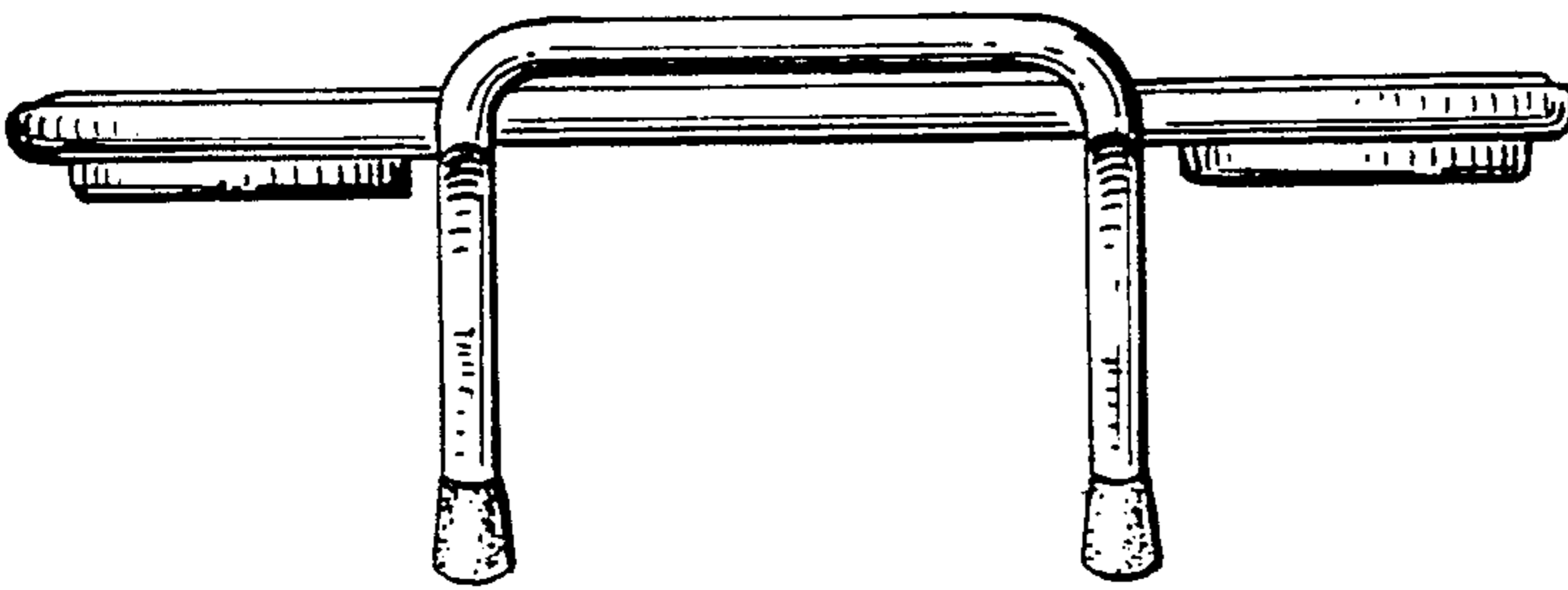


FIG. 6