



US00D326563S

United States Patent [19]

[11] Patent Number: **Des. 326,563**

Ilaria et al.

[45] Date of Patent: **** Jun. 2, 1992**

[54] FRAME CASTING

[75] Inventors: **Peter V. Ilaria**, East Hanover;
William Macowski, Caldwell, both of N.J.

[73] Assignee: **Tropar Mfg. Co., Inc.**, Florham Park, N.J.

[**] Term: **14 Years**

[21] Appl. No.: **410,967**

[22] Filed: **Sep. 22, 1989**

[52] U.S. Cl. **D6/300**

[58] Field of Search **D6/300-314;**
40/151, 152.1; D7/662, 663

[56] References Cited

U.S. PATENT DOCUMENTS

D. 84,656	7/1931	Sain	D6/305
D. 177,173	3/1956	Feer et al.	D7/662
D. 244,158	5/1977	Averill	D6/300
D. 255,415	6/1980	Rutter	D7/662
D. 271,926	12/1983	Sultan	D6/300
D. 307,520	5/1990	Ilaria et al.	D6/300

OTHER PUBLICATIONS

Turner Mfg. Co catalog, Mar. 1973 (leaf design frame at upper left).

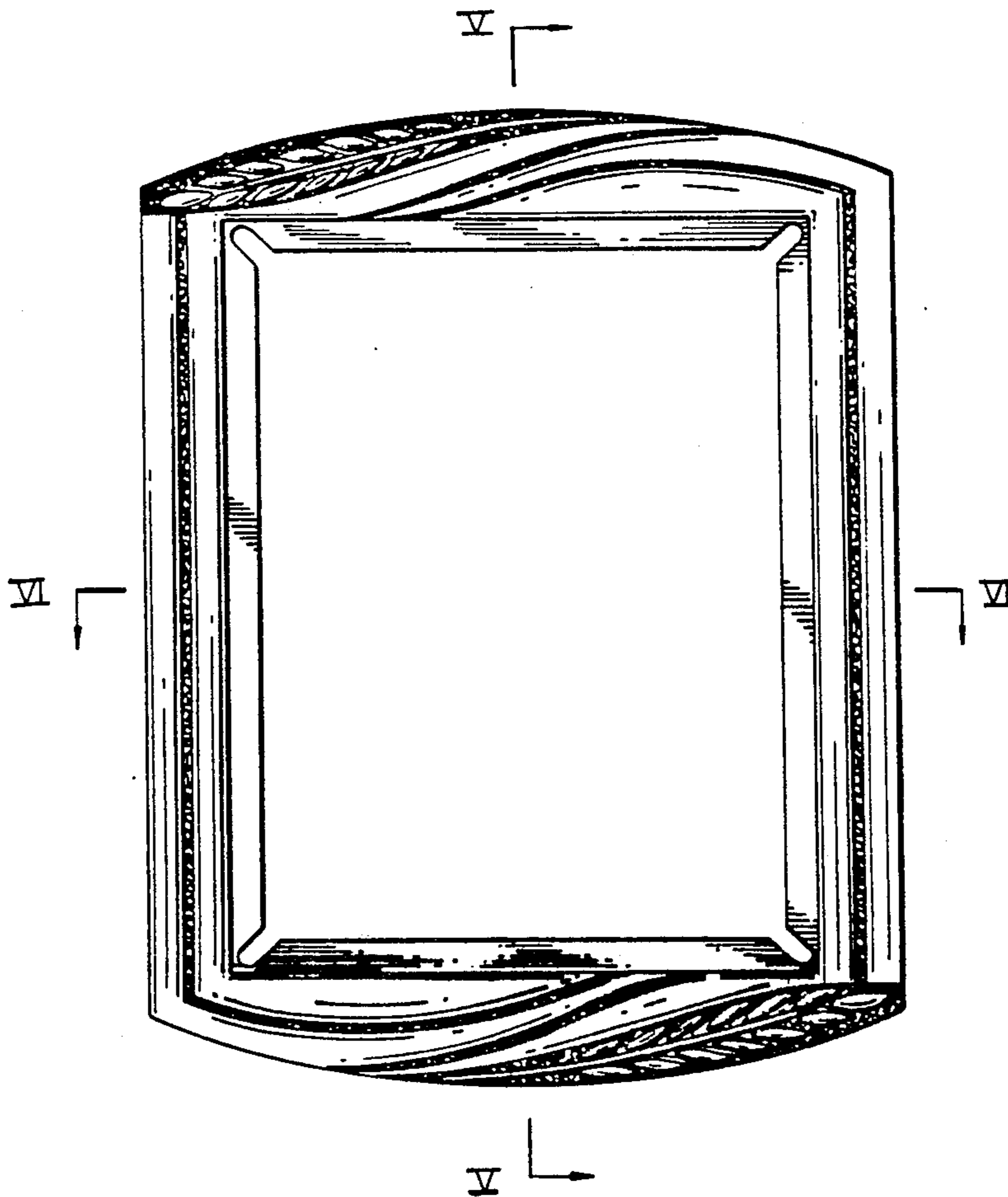
Primary Examiner—Bernard Ansher
Assistant Examiner—Adir Aronovich
Attorney, Agent, or Firm—Gottlieb, Rackman & Reisman

[57] CLAIM

The ornamental design for the frame casting, as shown and described.

DESCRIPTION

FIG. 1 is a front elevational view of a frame casting showing our design;
FIG. 2 is a left side elevational view thereof;
FIG. 3 is a right side elevational view thereof;
FIG. 4 is a rear elevational view thereof;
FIG. 5 is a cross-sectional view along line V—V of FIG. 1;
FIG. 6 is a cross-sectional view along line VI—VI of FIG. 1;
FIG. 7 is a top plan view thereof; and,
FIG. 8 is a bottom plan view thereof.



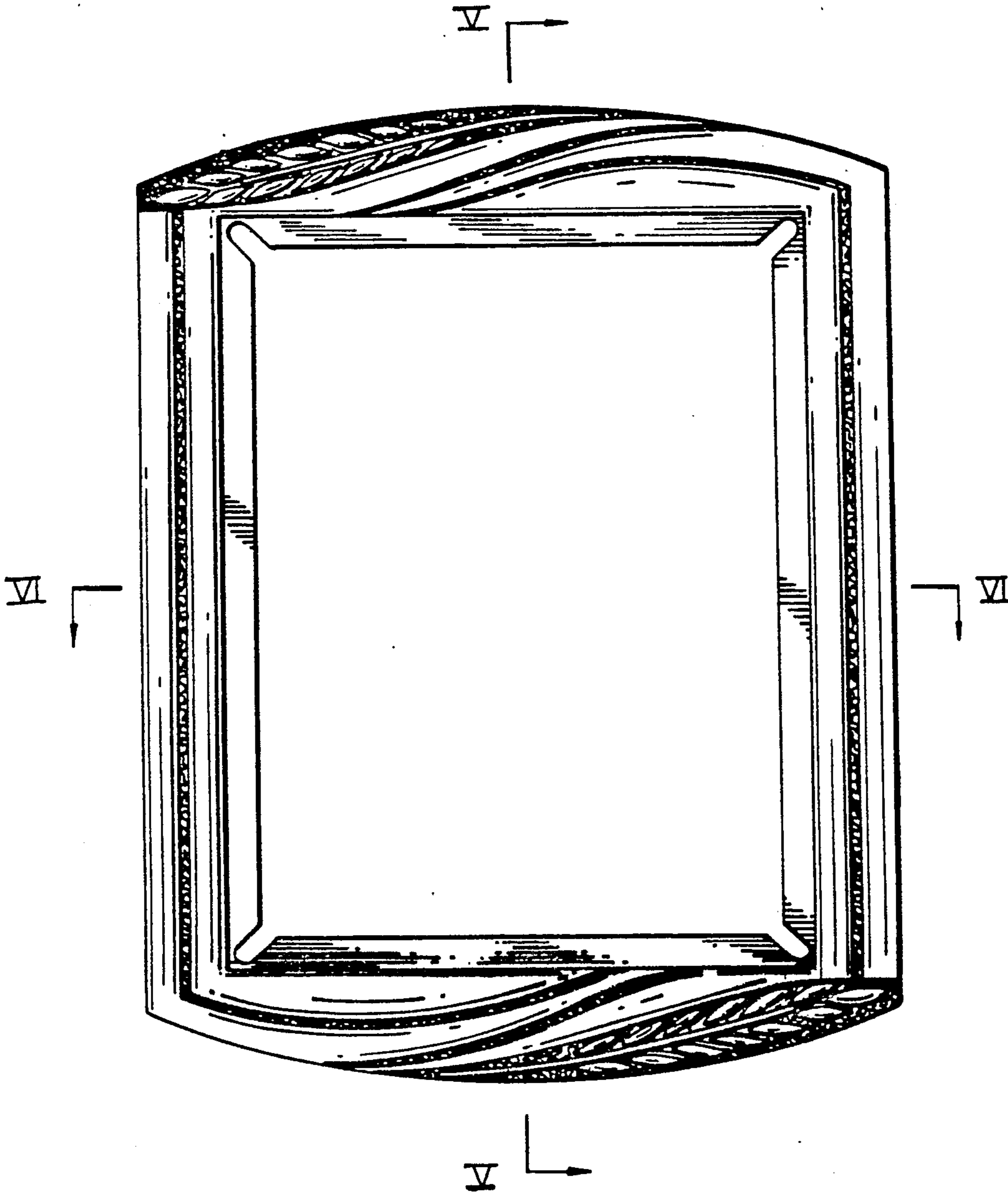


FIG. 1

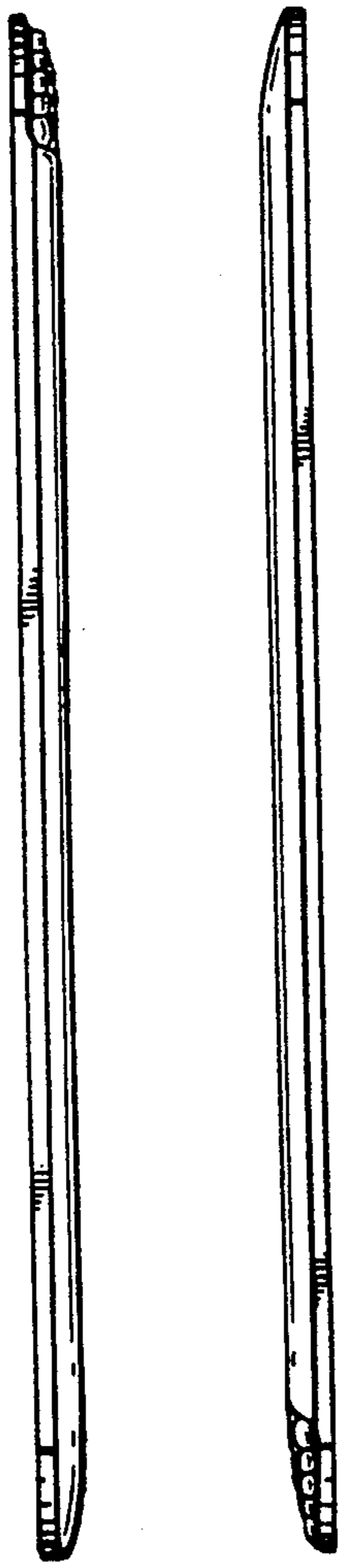


FIG. 2 FIG. 3



FIG. 7



FIG. 8

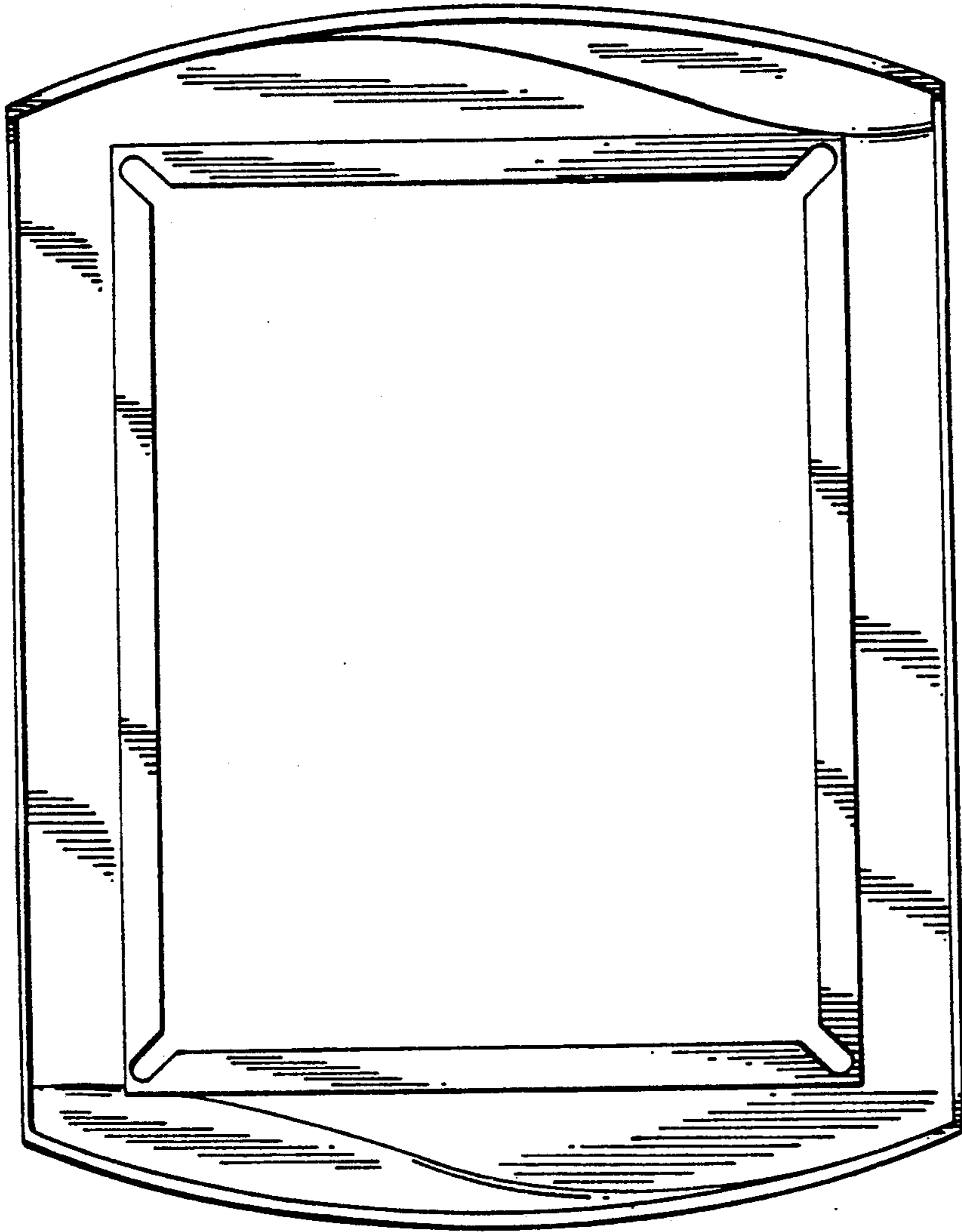


FIG. 4



FIG. 5

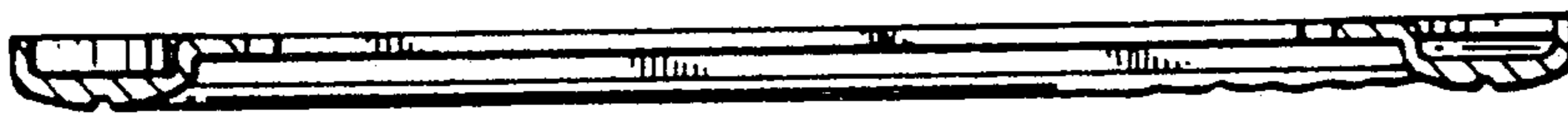


FIG. 6